



ZODIAC®

FAMILY OF BRANDS | Heritage of Excellence



PRODUCT CATALOG

2017

Jandy®
Pro Series

Polaris®

ZODIAC®
a better life®



ZODIAC FAMILY OF BRANDS | Heritage of Excellence

BRICK & MORTAR ONLY



Polaris 9650iQ Sport Robotic Cleaner



Polaris 8050 Sport Robotic Cleaner



Zodiac MX8™ Elite Suction Cleaner



Zodiac TR2D Suction Cleaner



Polaris TR36P Pressure Cleaner



Polaris TR35P Pressure Cleaner



Polaris PB4SQ Booster Pump



Jandy TruClear™ Saltwater Chlorinator



Jandy Variable-Speed PlusHP Pump



Jandy JXi™ Heater with VersaFlo™



Jandy VersaFlo Bypass Kit

TRADE SERIES EXCLUSIVES

Innovative products not available for Internet resale

Come with exclusive warranties and bonus features*

Warranty void if not professionally installed†

*Select models. †Only applies to JXi, VersaFlo Bypass Kit, TruClear and Variable-Speed PlusHP Pump.

©2016 Zodiac Pool Systems, Inc. All rights reserved. ZODIAC® is a registered trademark of Zodiac International, S.A.S.U., used under license. All other trademarks referenced herein are the property of their respective owners. AD6973 Rev A 1016

EXPECT EPIC

New Polaris® Robotic Line-Up



Polaris
9450 Sport



Polaris
9550 Sport



Polaris
9650iQ Sport



NEW! POLARIS 9650iQ SPORT

- » Trade Series Exclusive
- » Breakthrough iAquaLink™ control sets new standard for ease of use
- » Intuitive, on-demand features like scheduling, programming, and troubleshooting accessible from a smart device
- » Vortex Vacuum Technology maintains powerful suction
- » Easy Lift System for lightweight removal from pool activated via smart device or control box

NEW! TANGLE-REDUCING SWIVEL

- » Comes standard on all Polaris 4WD robots: 9450 Sport, 9550 Sport and 9650iQ Sport
- » Low-torque, watertight swivel keeps cable from tangling during operation



MORE 2017

POLARIS PRODUCTS!



NEW!

POLARIS TR36P

- » Trade Series Exclusive
- » Does not require a booster pump to operate
- » 3-venturi-jet vacuum power
- » Large debris inlet
- » Bonus all-purpose debris bag and TailSweep PRO®



Polaris 8050 Sport

NEW! POLARIS 8050 SPORT

- » Trade Series Exclusive
- » Cyclonic Vacuum Technology for powerful, long-lasting suction
- » Push'N'Go® easy-access filter canister with transparent lid
- » Surface Control System for optimal grip and wall climbing



NEW!

POLARIS PB4SQ
Multistage Booster Pump

- » Trade Series Exclusive
- » Energy-efficient
- » Quiet operation
- » Easy to Install
- » Simple to service

JANDY'S BREAKTHROUGH INNOVATIONS

User-Driven and Highly Efficient



WITH
INTEGRATED
FLOW
BYPASS
TECHNOLOGY

NEW! JXi™ 400NK WITH VERSAFLO™

- » Trade Series Exclusive
- » Integrated bypass technology for maximum hydraulic efficiency
- » Automatic actuation of flow bypass valve is based on call for heat
- » Flow bypass valve integrated into JXi header, requiring no external plumbing modifications
- » Up to 20% additional energy savings*
- » JXiVFKIT standalone kit available

**First gas heater with integrated
bypass technology**



NEW! CUPRONICKEL HEAT EXCHANGER

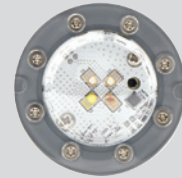
Cupronickel heat exchangers now available for 400BTU natural gas and propane JXi models.

MORE JANDY® INNOVATIONS



NEW! TRUCLEAR™ SALT CHLORINATION SYSTEM

- » Trade Series Exclusive
- » Easy to install, use and service
- » Compact design
- » Transparent window
- » Removable cell for fast and easy cleaning



NEW! NICHELESS LED LIGHTS

- » RGBW technology for brighter white light
- » 9 vibrant colors
- » 5 light shows
- » 3 power level options
- » White-only lights also available



NEW! POOL AND SPA BLOWER

- » Quiet operation
- » High air-pressure-creation
- » Built-in check valves



NEW! iQPUMPO1

- » Enables iAquaLink™ app control for all Jandy® variable-speed pumps
- » Easy programming and set up
- » Install and connect in minutes
- » Works with all Jandy variable-speed pumps

**Gives mobile app control to any
Jandy Variable-Speed Pump**

ZODIAC® ACADEMY TECHNICAL TRAINING



4 DIFFERENT WAYS TO LEARN!

TECHNICAL KNOW-HOW TO FUEL YOUR SUCCESS

Selection • Installation • Operation • Troubleshooting • Sales

Zodiac Academy's comprehensive learning environment delivers the training you need, how and when you need it.

Enroll in Zodiac Academy

www.ZodiacAcademy.com

Jandy
Pro/Series

Polaris®

ZODIAC®
a better life

ZODIAC FAMILY OF BRANDS | Heritage of Excellence

ZODIAC® is a registered trademark of Zodiac International, S.A.S.U., used under license. All other trademarks used herein are the property of their respective owners. ©2016 Zodiac Pool Systems, Inc. All rights reserved.

Company Information

Table of Contents	1
Contact Information	2
Ordering Guide	4

Pumps

Pumps	9
Polaris® Booster Pumps	16
Technical Information	18
Ordering Information, Variable-Speed Pumps	28
Hydraulics Information	29
Pump Parts	34
Booster Pump Parts	52

Filters

Filters	61
Versa Plumb® Kits	64
Backwash Valves	65
Technical Information	68
Filter Parts	75
Backwash Valve Parts	82

Heaters

Heaters	91
Heater Accessories	95
Technical Information	101
Heater Selection Guide	103
Heater Parts	105

Heat Pumps

Heat Pumps	143
Heat Pump Accessories	145
Heat Pump Parts	146

Automation

Automation	165
System Bundles	166
Automation Accessories	167
Selection Guide	168
Automation Accessories	172
Automation Parts	179

Levolor® Water Leveling

Levolor Water Leveling	203
Water Leveling Parts	206

Water Sanitizers

Salt Water Chlorination	211
Ozone Generation	213
Mineral Sanitizers for Pools	214
Mineral Sanitizers for Spas	217
Water Sanitizer Parts	219

Valves

Valves	239
Valve Parts	242

Water Features

Waterfalls	255
Technical Information	262
Laminar Jets	265
Deck Jets	266
MiniJet®	267
Jet Parts	268
Fountains	270
Fountain Parts	271

Lighting

Lighting	275
Lighting Accessories	282
Lighting Parts	285

Cleaners

Polaris Robotic Cleaners	291
Polaris Pressure-side Cleaners	293
Polaris Booster Pumps	296
Polaris Cleaner Accessories	298
Polaris Cleaner Parts	304
Zodiac® Cleaners	347
Zodiac Cleaner Accessories	349
Zodiac Cleaner Parts	350
Ray-Vac™ Parts	367

Accessories

Accessories	27
Accessory Parts	380
Limited Warranty	384
Terms and Conditions	387

**For information on Caretaker visit
www.caretakersystem.com**

**For information on Coverpools visit
www.coverpools.com**

All trademarks and trade names used in this catalog are the property of their respective owners. Apple® is not a participant in or sponsor of this promotion. Computer and mobile devices not included. The copying, redistribution, use or publication of any of the trademarks or tradenames owned by Zodiac Pool Systems, Inc. or our affiliated companies, except as expressly agreed to in writing by Zodiac Pool Systems, Inc., is strictly prohibited. ZODIAC® is a registered trademark of Zodiac International, S.A.S.U., used under license.

Contact Information

Zodiac Pool Systems, Inc.,
2620 Commerce Way, Vista, CA 92081-8438
Phone: 1-800-822-7933
www.zodiac.com

Technical Support and Warranty (see next page)

Monday through Friday, 5:00am – 5:00pm (PST)

Email (see below):
[\[4-digit region number\]@zodiac.com](mailto:[4-digit region number]@zodiac.com)

Email for Pool Owners: productsupport@zodiac.com

Online warranty RMA request form for distributors:
<http://www.zodiacpoolsystems.com/support/warranty-rma-request>

Warranty RMA Fax: 760-477-6218

Warranty RMA email: warrantyRMAvista@zodiac.com

General Fax: 800-479-8324

Literature

Fax: 877-327-1403

Email: pop@zodiac.com

Online: visit the Resource Center at:
<https://premium.zodiacpoolsystems.com/Tools/Product-Downloads.aspx>

Customer For Life Advocates

Monday through Friday, 6:00am – 5:00pm (PST)

Email: [\[4-digit region number\]@zodiac.com](mailto:[4-digit region number]@zodiac.com)

Online non-warranty RMA request form for distributors:
<http://www.zodiacpoolsystems.com/support/non-warranty-rma-request>

Non-warranty RMA email: salesRMAvista@zodiac.com

Fax: 877-327-1403 (including non-warranty RMAs)

Email for Orders: distributor.vista@zodiac.com

Zodiac Premium®

Review your Zodiac Premium account and redeem your points online at: www.ZodiacPremium.com

Email: zp@zodiac.com

Caretaker™ Customer Support

Phone: 855-280-6465 toll-free

email: Caretaker.orders@zodiac.com

Caretaker Design Request

Email: design@zodiac.com

Fax: 801-906-6701

Credit Administration

Fax: 760-597-1240

Zodiac Academy—Technical Training

Email: Zodiac.academy@zodiac.com

Fax: 760-477-6017

Regionalized Pool Professional Support

Whenever you need support on any Zodiac® product, program or service, you will work with your own dedicated team of professionals. They will get to know you, your area and your business. Service has never been so personal, and so simple!

Call 800-822-7933 and enter the 4-digit extension for your region. Then, select from the following three options: Technical Support, order status or general product questions, or Zodiac Premium. Your extension is for pool professionals only. It is critically important that you do NOT supply your extension to pool owners.

If you are in this region	Use this EXT.	Email Address	Customer Support Hours	Technical Support Hours
SOUTHEAST: FL, GA, SC, NC	3500	3500@zodiac.com	6:00–4:30 Pacific	5:00–3:00 Pacific
NORTH: CT, DE, OH, IA, IL, IN, KS, MA, MD, ME, MI, MO, MN, ND, NE, NH, NJ, NY, PA, RI, SD, VA, VT, WI, WV	3600	3600@zodiac.com	6:00–3:00 Pacific	5:00–3:00 Pacific
SOUTH: AL, AR, KY, LA, MS, OK, TN, TX	3700	3700@zodiac.com	7:30–4:30 Pacific	6:00–4:00 Pacific
WEST: AK, AZ, CA, CO, ID, MT, NV, NM, OR, UT, WA, WY, and HI	3800	3800@zodiac.com	8:00–5:00 Pacific	7:00–5:00 Pacific
INTERNATIONAL	4000	4000@zodiac.com	7:00–4:00 Pacific	5:00–2:00 Pacific

At least two representatives in each region will provide support via live chat. To start a chat, simply visit zodiacpoolsystems.com and click on the “Support” tab.

All sales made by Zodiac Pool Systems, Inc. (“Zodiac”) are subject to our Terms and Conditions of Sale, which are published at the end of this product catalog and on the reverse of Zodiac® invoices, or can be requested by contacting your Customer For Life (CFL) Advocate. The following is only a summary of Zodiac’s Terms and Conditions of Sale and should in no way be considered a waiver of any portion of Zodiac’s Terms and Conditions of Sale.

Please submit your purchase orders to our Customer Operations department using any of the following delivery methods:

- Electronic data interchange (EDI): Please call Customer Operations at 800-822-7933 for setup information.
- Email: distributor.vista@zodiac.com.
- Fax: 877-327-1403.

Always include complete part numbers, descriptions and prices. Same day shipping not available after 11AM Pacific. Please contact Zodiac prior to Purchase Order submission to ensure product availability.

- Urgent orders must be clearly marked as such.
- Change requests must be submitted in writing via email or fax, and must reference the original purchase order number. Changes cannot be accepted once any part of an order has shipped.
- Prices, discounts, quotations and specifications are subject to change without notice and will be applied as in effect at time of shipment. All prices are in U.S. dollars. COD orders will not be accepted.
- Any federal, sales, excise or similar tax for which Zodiac may be liable on any sale will be charged to and paid by the Purchaser. Resellers are responsible for furnishing resale certificates prior to purchase.
- A \$10 surcharge will be added to any order under \$50. Free freight is offered for orders of \$20,000 or more, all products combined. Replacement parts orders of \$5,000 or more, and qualifying Bulk Parts Value Program orders, will also ship prepaid. Orders qualifying for free freight will be shipped to a single location only. Liftgate charges will be assessed when a liftgate is required to deliver an order that does not qualify for free freight.
- All sales are F.O.B. Zodiac’s shipping point. We will make reasonable attempts to fulfill your routing and carrier requests, but both are subject to our discretion. We will not drop ship to residential addresses.
- Minimum order quantities per product are published in our Price list (for example, cleaners must be ordered in half pallet quantities).
- **Our order entry system will automatically send your order and shipping acknowledgements via email.** To start receiving these acknowledgements, please send an email to distributor.vista@zodiac.com with a subject line of “acknowledgements”. Please provide complete account information in the body of your message, including all of the email addresses to which the acknowledgements should be sent.
- **You may check on the status of your orders on our Portal.** To request access to the Portal, please send an email to distributor.vista@zodiac.com with a subject line of “Portal”. Please provide complete account information in the body of your message, including the name and email address of one (1) purchasing contact and one (1) accounts payable contact per bill-to location. You will then be contacted with login and usage instructions.
- Upon receipt, all shipments must be inspected for shortages and damages of any kind. If your carrier executed the shipment, you must file shortage and/or damage claims directly with that carrier, and place a new order with Zodiac. If Zodiac selected the carrier, shortages or damages **must be noted**

on the freight bill and reported to Customer Operations **within five (5) days of receipt** by faxing 877-327-1403, or by e-mailing distributor.vista@zodiac.com with a subject line of “credit request”. If these issues are not reported to Zodiac® within five (5) days, the products/shipment shall be deemed accepted by you, and any reports of shortages or damages reasonably determinable by inspection will not be accepted at a later date. Claims will not be accepted if products have been transferred by the original recipient to another branch or location.

- All new customers are required to complete a Zodiac credit application and receive credit approval prior to shipment. Standard payment terms are net 30.
- All product returns must be approved in advance by Zodiac. RMAs requested in excess of one year from original PO date will not be accepted. For additional information, and to submit a return material authorization (RMA) request, visit <http://www.zodiacpoolsystems.com/Support/Non-Warranty-RMA-Request.aspx> (the request forms are for use by distributors only). You must receive a Zodiac RMA number prior to shipping returned goods. Returned goods must be packaged securely in original packaging or a reasonable substitute. The RMA number must be clearly written on the outside of the packaging. Collect shipments, and shipments without a clearly identifiable RMA number, will be refused. Freight must be prepaid. Returned goods damaged due to inadequate return packaging may not receive full credit. If accepted, returned goods are subject to a 20% restocking charge. (Please ensure that the returned goods are shipped to the location indicated on the RMA form).
- To order parts for warranty repairs, the servicer must provide our Technical Support department with the following information to the designated Regional Support team via email or fax. (with a subject line of “warranty parts order”), or call 800-822-7933:
 - Servicer’s name, company, phone number, email address and ship-to address.
 - Pool owner’s name, address, phone number and email address.
 - Date of retail purchase (the pool owner may be required to provide proof of retail purchase).
 - The name and address of the original dealer/installer.
 - Model number and serial number of the original product.
 - A detailed description of product failure and service attempted.
 - Part number and description of the item needed to make the repair.

Zodiac Contract Service Companies (CSCs) are required to submit warranty claims, including parts replenishment requests, using our online warranty claims system.



PUMPS



Pumps	9
Polaris® Booster Pumps	16
Technical Information	18
Ordering Information, Variable-Speed Pumps	28
Hydraulics Information	29
Pump Parts	34
Booster Pump Parts	52

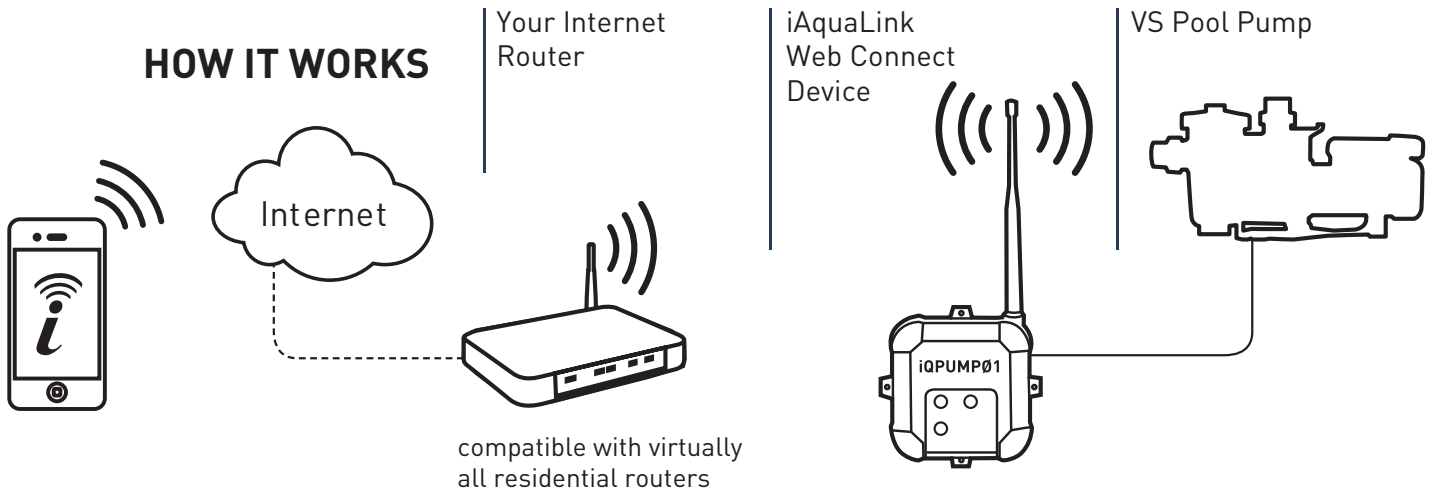
iAquaLink™

SMART DEVICE. SMART POOL. SMART YOU.

Smart Pump Control In the Palm of Your Hand

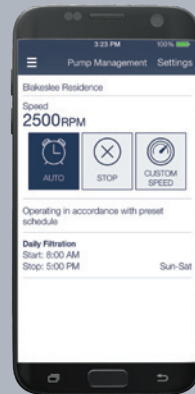
The iQPUMP01 interface allows pool professionals to easily install, set up, and control the pump using a smartphone and the iAquaLink app.

HOW IT WORKS

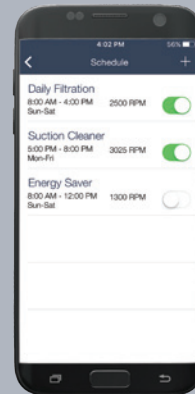


Simplified Pump Management

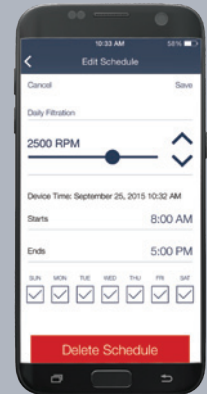
All critical pump functions are just a tap away—whether poolside or from across town.



Pump management 24/7



Schedules can be enabled and disabled



Schedule editing is as easy as a calendar entry



Easy Onsite Setup

Wirelessly connect directly to the pump using a smartphone and iAquaLink app. Built-in hotspot technology makes pump setup and programming simple — even without Internet access.



Conveniently Manage Key Service Functions

Simplified remote-mounted user interface allows access to common service features. Service functions can also be accessed via a smartphone and iAquaLink app.



Anytime, Anywhere Control

Control the pump anytime, anywhere with the iAquaLink app when connected to the web. Access and edit schedules 24/7.



Customize for Maximum Energy Efficiency

Pumps can be programmed to run at non-peak energy periods and to run at the minimum speed needed for cleaning and heating. Energy consumption can be adjusted to pool's needs.



VS PlusHP



VS PlusHP Variable-Speed Pumps*

The VS PlusHP is mid-sized pump designed for higher head applications, such as solar, in-floor, and pool/spa combos. Whether you're replacing existing pumps, such as WhisperFlo® and Super II™ models or installing in new construction, the VS PlusHP has the performance and features for the application. Available with or without a user interface.

- Features an auxiliary circuit that can power devices such as booster pumps and salt water chlorinators
- Large strainer basket for less maintenance
- High efficiency, permanent magnet, TEFC, variable-speed motor
- 2" x 2-1/2" unions for easier installation
- Tool-free lid for easy access
- 3-year warranty

Part No.	Description	THP
VSPHP270JEP	VS PlusHP Variable-Speed Pump w/ JEP-R Controller, 230 VAC	2.7 HP
VSPHP270AUT	VS PlusHP Variable-Speed Pump w/o JEP-R Controller, 230 VAC	2.7 HP



ePump



ePump™ Variable-Speed Pumps*

- Interfaces with AquaLink® RS, AquaLink PDA, AquaLink Z4, and the JEP-R Pump Controller (Not included).
- Includes a Stealth™ wet end
- Energy-saving ECM permanent magnet TEFC motor
- Extra long motor life and quiet operation
- 600–3450 RPM range
- SVRS model utilizes an ANSI®/ASME® A112.19.17 certified Suction Vacuum Release System
- 3-year warranty
- 4 control options: AquaLink RS, AquaLink PDA, AquaLink Z4, and the JEP-R Pump Controller (Not included).

Part No.	Description	THP
VSSH220AUT	ePump Variable Speed Pump	2.2 HP
VSSH270AUT	ePump Variable Speed Pump	2.7 HP
JEP2.0SVRS	ePump + SVRS Variable-Speed Pump	2.7 HP

Siemens® QPF series GFCI breakers offer 6 milliamp personal protection while meeting 2008 to current NEC standards for pool pumps.

*Jandy Pro Series variable-speed pumps comply with Appliance Efficiency Standards (e.g., CA-Title 20 and ANSI/APSP-15) and qualify for energy company rebates where available.



VS FloPro



*** Jandy Pro Series variable-speed pumps comply with Appliance Efficiency Standards (e.g., CA-Title 20 and ANSI/APSP-15) and qualify for energy company rebates where available.**

VS FloPro™ Variable-Speed Pumps*

The VS FloPro is an energy-efficient variable-speed pump that is easy to install and service. This high-performance pump features a compact body and multiple adjustable bases, making it ideal for new construction or retrofit applications.

The included Pump Base Kit allows for seamless direct replacement of Hayward® Super Pump®, Hayward Super II™, Pentair® SuperFlo®, Pentair WhisperFlo®, Sta-Rite® SuperMax®, Sta-Rite Dyna-Glas™, Jandy® Pro Series PlusHP and MaxHP pumps.

Optional pump base allows for direct replacement of Sta-Rite Max-E-Pro®, Sta-Rite Dura-Glas®, Sta-Rite Dura-Glas II, Sta-Rite Max-E-Glas®. See page 15 for more information on this optional base, part number R0546400.

Additional Features

- Adjustable base included
- High efficiency, permanent magnet, TEFC, variable speed motor
- 2" unions and 2" internal threads
- Ergonomic easy-transport handle
- High profile easy-grip handles with large capacity basket
- JEP-R Pump Controller included, featuring two timers and eight speeds.
- Interfaces with AquaLink® RS, AquaLink PDA, AquaLink Z4, and the JEP-R Pump Controller.
- Features ergonomic Drain Plugs and Cam-Lock Lid with easy alignment indicators.
- Comes complete with 2" unions.

Part No.	Description	THP
VSFHP165JEP	VS FloPro Variable-Speed Pump w/ JEP-R Controller, 230 VAC	1.65 HP
VSFHP165AUT	VS FloPro Variable-Speed Pump w/o JEP-R and Base	1.65 HP
VSFHP270JEP	VS FloPro Variable-Speed Pump w/ JEP-R Controller, 230 VAC	2.7 HP
VSFHP270AUT	VS FloPro Variable-Speed Pump w/o JEP-R and Base	2.7 HP

Siemens® QPF series GFCI breakers offer 6 milliamp personal protection while meeting 2008 to current NEC standards for pool pumps.



iQPUMP01 Variable-Speed Pump Controller

iQPUMP01 App Controllable Variable-Speed Pump User Interface

- Fast set up and control using our free iAquaLink™ apps
- Connects directly to smartphone via Wi-Fi for setup and programming
- Internet access not required for setup
- Anytime, anywhere remote control and remote programming*
- Up to ten (10) schedules, each with unique days, times, and RPMs
- Custom Speed allows fast and easy RPM adjustments in real time
- Quick Clean feature for pool cleaning with suction vacuums
- Timed Stop for temporary equipment servicing
- Timed Run override to ensure proper mixing of chemicals
- Automatic Internet back-up of all schedules and settings*
- Invite Codes allow easy granting of permissions to family and service pros*
- Works with all current Android® and iOS devices

*These features require internet connectivity

Part No.	Description
IQPUMP01	App Controllable Variable Speed Pump User Interface



JEP-R Variable-Speed Pump Controller

JEP-R Variable-Speed Pump Controller

- Includes two (2) timers and eight (8) speeds that can be custom labeled
- LCD display and LED indicators
- Battery Backup ensures time and settings are stored during power outages
- Pump priming and freeze protection
- Dual password protect options
- Global RPM limiter
- Can be installed up to 200 ft. away from pump

Part No.	Description
JEP-R	Variable-Speed Pump Remote Controller



Stealth Pump



Stealth™ Series Pumps

- “Quiet Technology” design controls flow dynamics within pump, resulting in less noise
- Largest capacity basket in the industry fully maximizes hydraulic flow
- “E-Plus® Energy Efficient” motor saves up to 20% on energy costs
- 2" x 2½" (2½" x 3" on 3HP and 5HP model) quick-connect unions

Part No.	Description	HP
Full Rated Pumps		
SHPF.50	Stealth High Head Pump, 230/115VAC	.50 HP
SHPF.75	Stealth High Head Pump, 230/115VAC	.75 HP
SHPF1.0	Stealth High Head Pump, 230/115VAC	1.0 HP
SHPF1.5	Stealth High Head Pump, 230VAC	1.5 HP
SHPF2.0	Stealth High Head Pump, 230VAC	2.0 HP
SHPF3.0	Stealth High Head Pump, 230VAC	3.0 HP
SHPF5.0	Stealth High Head Pump, 230VAC	5.0 HP



ENERGY STAR certified models in bold

Full Rated, 2 Speed Pumps		
SHPF1.0-2	Stealth High Head Pump, 230VAC	1.0 HP
SHPF1.5-2	Stealth High Head Pump, 230VAC	1.5 HP
SHPF2.0-2	Stealth High Head Pump, 230VAC	2.0 HP

Max (Up) Rated Pumps		
SHPM.75	Stealth High Head Pump, 230/115VAC	.75 HP
SHPM1.0	Stealth High Head Pump, 230/115VAC	1.0 HP
SHPM1.5	Stealth High Head Pump, 230/115VAC	1.5 HP
SHPM2.0	Stealth High Head Pump, 230VAC	2.0 HP
SHPM2.5	Stealth High Head Pump, 230VAC	2.5 HP



ENERGY STAR certified models in bold

Max (Up) Rated, 2 Speed Pumps		
SHPM1.5-2	Stealth High Head Pump, 230VAC	1.5 HP
SHPM2.0-2	Stealth High Head Pump, 230VAC	2.0 HP
SHPM2.5-2	Stealth High Head Pump, 230VAC	2.5 HP

3 Phase Pumps		
SHPF1.0-3PH	Stealth High Head Pump, 208/230/460VAC, 3Phase 60Hz	1.0 HP
SHPF1.5-3PH	Stealth High Head Pump, 208/230/460VAC, 3Phase 60Hz	1.5 HP
SHPF2.0-3PH	Stealth High Head Pump, 208/230/460VAC, 3Phase 60Hz	2.0 HP
SHPF3.0-3PH	Stealth High Head Pump, 208/230/460VAC, 3Phase 60Hz	3.0 HP



PlusHP Pump



PlusHP Series Pumps

- Powerful, efficient, compact high-head pump
- Large trap basket for increased debris holding capacity
- Ergonomic cam-lock lid with easy-to-read aligning indicators
- Comes complete with 2" x 2½" quick-connect unions
- Ideal for in-floor cleaning, spa-jet boosters, and solar systems

Part No.	Description	HP
----------	-------------	----

Full Rated Pumps

PHPF.50	PlusHP High Head Pump, 230/115VAC	.50 HP
PHPF.75	PlusHP High Head Pump, 230/115VAC	.75 HP
PHPF1.0	PlusHP High Head Pump, 230/115VAC	1.0 HP
PHPF1.5	PlusHP High Head Pump, 230/115VAC	1.5 HP
PHPF2.0	PlusHP High Head Pump, 230VAC	2.0 HP

Full Rated, 2 Speed Pumps

PHPF1.0-2	PlusHP High Head Pump, 230VAC	1.0 HP
PHPF1.5-2	PlusHP High Head Pump, 230VAC	1.5 HP
PHPF2.0-2	PlusHP High Head Pump, 230VAC	2.0 HP

Max (Up) Rated Pumps

PHPM.75	PlusHP High Head Pump, 230/115VAC	.75 HP
PHPM1.0	PlusHP High Head Pump, 230/115VAC	1.0 HP
PHPM1.5	PlusHP High Head Pump, 230/115VAC	1.5 HP
PHPM2.0	PlusHP High Head Pump, 230/115VAC	2.0 HP
PHPM2.5	PlusHP High Head Pump, 230VAC	2.5 HP

Max (Up) Rated, 2 Speed Pumps

PHPM1.5-2	PlusHP High Head Pump, 230VAC, 2 Spd	1.5 HP
PHPM2.0-2	PlusHP High Head Pump, 230VAC, 2 Spd	2.0 HP
PHPM2.5-2	PlusHP High Head Pump, 230VAC, 2 Spd	2.5 HP



ENERGY STAR
certified models in bold



ENERGY STAR
certified models in bold



FloPro Pump



FloPro™ Series Pumps

- Medium-head, high-flow pump in an ultra compact body
- Adjustable base included allows for direct replacement of Hayward® Super Pump®, Hayward® Super II™, Pentair SuperFlo®, Pentair WhisperFlo®, Sta-Rite® SuperMax®, Sta-Rite Dyna-Glas™, and Jandy® Pro Series PlusHP and MaxHP pumps. Optional pump base allows for direct replacement of Sta-Rite Max-E-Pro®, Sta-Rite Dura-Glas®, Sta-Rite Dura-Glas II, Sta-Rite Max-E-Glas® See page 15 for more information on this optional base, part number R0546400.
- Ergonomic cam-lock lid with easy aligning indicators
- Comes complete with 2" unions

Part No.	Description	HP
Max (Up) Rated Pumps		
FHPM.75	FloPro Medium Head Pump, 230/115VAC	.75 HP
FHPM1.0	FloPro Medium Head Pump, 230/115VAC	1.0 HP
FHPM1.5	FloPro Medium Head Pump, 230/115VAC	1.5 HP
FHPM2.0	FloPro Medium Head Pump, 230/115VAC	2.0 HP
FHPM2.5	FloPro Medium Head Pump, 230VAC	2.5 HP



ENERGY STAR
certified models in bold

Max (Up) Rated, 2 Speed Pumps		
FHPM1.0-2	FloPro Medium Head Pump, 230VAC	1.0 HP
FHPM1.5-2	FloPro Medium Head Pump, 230VAC	1.5 HP
FHPM2.0-2	FloPro Medium Head Pump, 230VAC	2.0 HP



WaterFeature Pump



WaterFeature Series Pump

- High-flow, medium-head pump
- Perfect for water features like Sheer Descent®, Laminar Jets, etc.
- Ergonomic cam-lock lid with easy aligning indicators
- Comes complete with 2" x 2½" quick-connect unions

Part No.	Description	GPM
Max (Up) Rated Pumps		
WFTR80	WaterFeature Medium Head Pump, 230/115VAC	80 GPM
WFTR120	WaterFeature Medium Head Pump, 230/115VAC	120 GPM
WFTR160	WaterFeature Medium Head Pump, 230VAC	160 GPM



WaterFall Pump

WaterFall Series Pumps

- High-flow, low head pump
- Up to 60% quieter and uses less energy
- Perfect for custom waterfalls and other special water features
- Ergonomic cam-lock lid with easy aligning indicators
- Comes complete with 2½" x 3" quick-connect unions

Part No.	Description	GPM
----------	-------------	-----

Waterfall Series Pumps

SWF125	Stealth™ WaterFall Low Head Pump, 230/115VAC	Up to 125 GPM
SWF185	Stealth WaterFall Low Head Pump, 230/115VAC	Up to 185 GPM



Pump with Sweep Elbow

Pump Accessories

Part No.	Description
----------	-------------

SEAQL1001	AquaLink® Sweep Elbow — For use w/ RS Temp Sensor Qty. (1) — Available in case quantities of 24
-----------	--

SEFL1002	Sweep Elbow with ½" plug
----------	--------------------------

R0546400	Base Spacer, VS-FHP, FHP, Large — For use w/ Sta-Rite® Max-E-Pro®, Sta-Rite DuraGlas®, Sta-Rite DuraGlas II, Sta-Rite Max-E-Glas® pumps.
----------	--



Base Spacer

TRADE SERIES
EXCLUSIVE

Coming Soon!



PB4SQ Booster Pump

Polaris® PB4SQ Booster Pump

The PB4SQ is an energy-efficient, multistage booster pump that is easy to install and service. It has been designed to operate quietly and provide optimum power to Polaris pressure cleaners.

- Multistage pump progressively pressurizes water flow, maximizing outlet pressure while minimizing energy consumption
- TEFC motor and innovative fan are designed for quiet operation
- Easy to install with multiple conduit locations and accessible service points
- Direct drop-in replacement for any Booster pump
- Includes Polaris Softube® and Quick Connect fittings

Part No.	Description
----------	-------------

PB4SQ	Polaris PB4SQ Booster Pump
-------	----------------------------



PB4-60 Booster Pump

Polaris PB4-60 Booster Pump

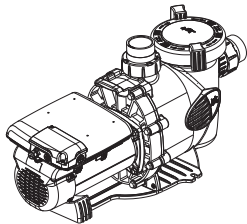
- Booster pump for all Polaris pressure cleaners that require a booster pump
- 3/4 HP motor operates with low flow and variable speed filter pumps
- Includes Polaris Softube and Quick Connect fittings

Part No.	Description
----------	-------------

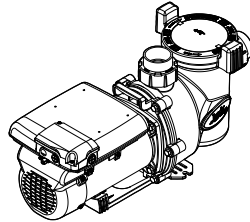
PB4-60	Polaris Booster Pump with 60 Hz Motor
--------	---------------------------------------

Jandy® Pro Series Pumps

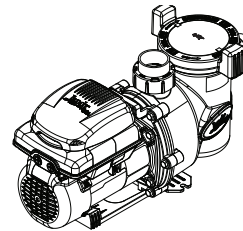
Jandy Pro Series VS-FHP, JEP, SHPF/SHPM, PHPF/PHPM and FHPM Series pumps are the heart of the Versa Plumb® system, providing the hydraulic power for all pool and spa equipment. Quiet and efficient, they easily operate the filtration system, spa jets, and any special enhancements to the pool, such as waterfalls, fountains and vanishing edge designs.



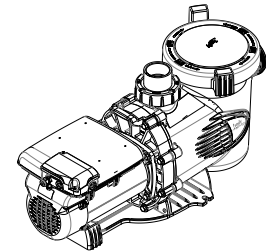
VSPHP270



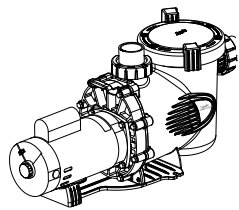
VSFHP270



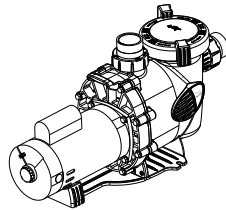
VSFHP165



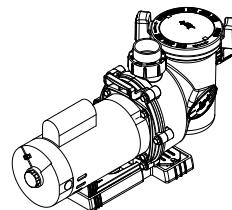
VSSH



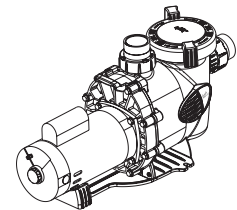
SHPF/SHPM



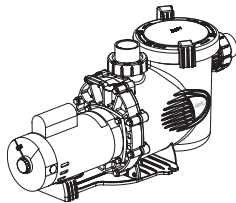
PHPF/PHPM



FHPM



WFTR



SWF

Pump Model Number Legend

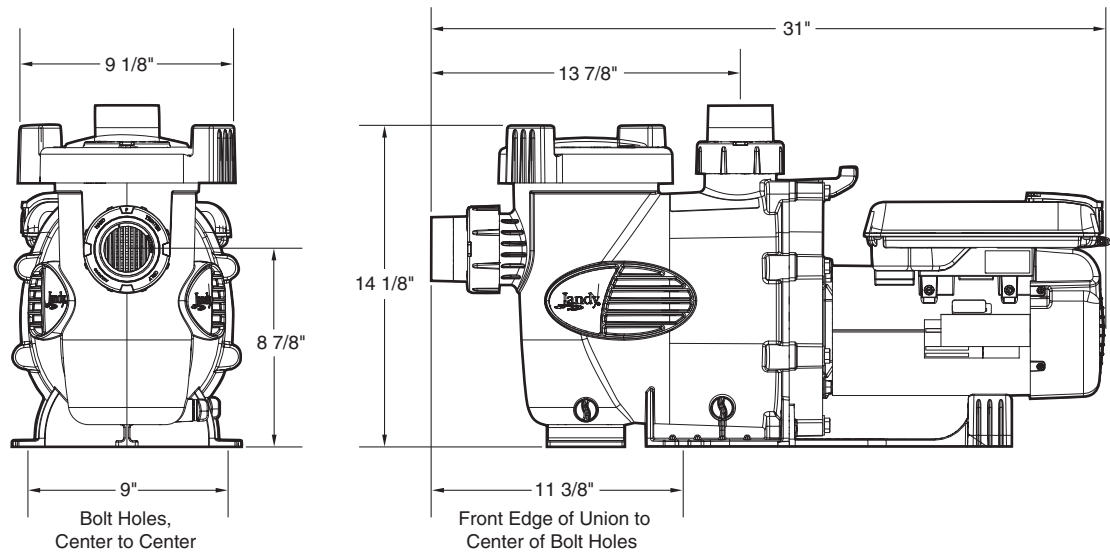
Model	Description	Head Characteristics	Speed	Rating
VS-FHP	VS-FloPro™ Model Series	Medium Head Pump	Variable-Speed	Full
VSPHP	VS PlusHP Series	High Head Pump	Variable-Speed	Full
JEP	ePump™ Model Series	High Head Pump	Variable-Speed	Full
SHPF	Stealth™ Model Series	High Head Pump	Single	Full
SHPF-2	Stealth Model Series	High Head Pump	Two	Full
SHPM	Stealth Model Series	High Head Pump	Single	Up-rated
SHPM-2	Stealth Model Series	High Head Pump	Two	Up-rated
PHPF	PlusHP Model Series	High Head Pump	Single	Full
PHPF-2	PlusHP Model Series	High Head Pump	Two	Full
PHPM	PlusHP Model Series	High Head Pump	Single	Up-rated
PHPM-2	PlusHP Model Series	High Head Pump	Two	Up-rated
FHPM	FloPro Model Series	Medium Head Pump	Single	Up-rated
FHPM-2	FloPro Model Series	Medium Head Pump	Two	Up-rated
WFTR	WaterFeature Model Series	High Flow/Medium Head Pump	Single	Full
SWF	Stealth WaterFall Model Series	High Flow/Low Head Pump	Single	Full

Technical Information

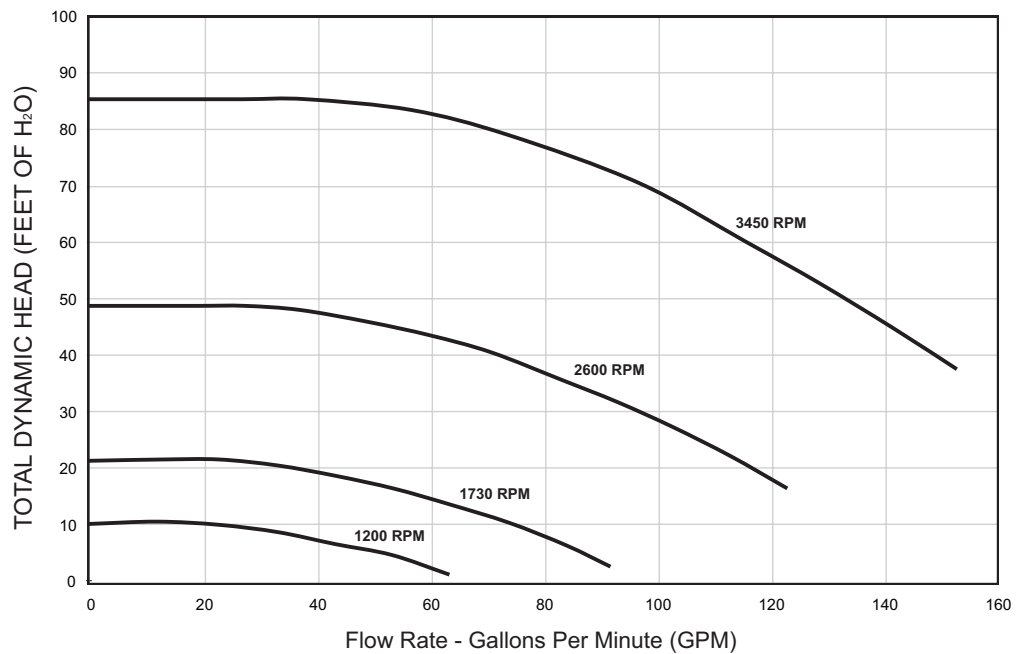
Specifications and Dimensions for VS PlusHP (VSPHP270) Pumps

Full Rated Pumps						
Model No.	HP*	Voltage	Watts	Recommended Pipe Size	Carton Weight	Overall Length
VSPHP270	0.25–2.7	230 VAC	2,250 W	2½ – 3"	50 lbs.	30 3/8"

When installing pump provide the following: 1) a minimum of 2 ft. of clearance above the pump for removal of strainer basket and 2) a minimum of 8" of clearance behind the motor for removal of motor.



VS PlusHP Pump Curves



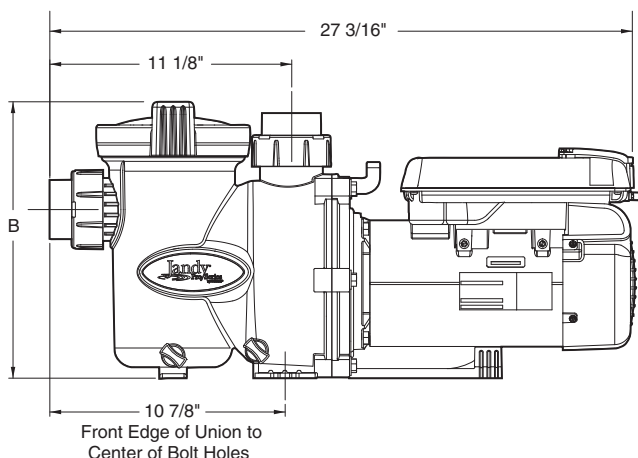
Technical Information

Specifications and Dimensions for VS FloPro™ Pumps

Full Rated Pumps						
Model No.	HP*	Voltage	Watts	Recommended Pipe Size	Carton Weight	Overall Length
VSFHP270	2.0	230 VAC	2,400 W	2½–3"	56 lbs.	27¾"

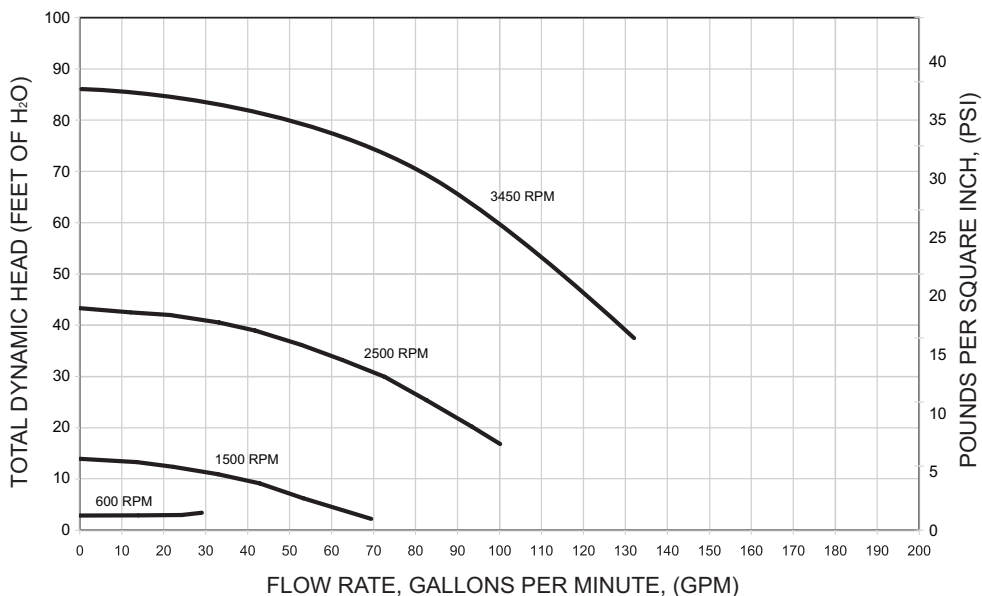
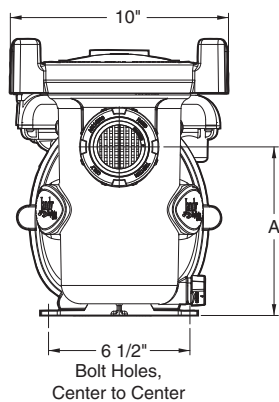
*Total HP: 2.7

When installing the pump, leave a minimum of 2 ft. of clearance above the pump for removal of strainer basket.



Base Options	Fits	'A' Dimension	'B' Dimension
No Base	Hayward® Super Pump®, Pentair® SuperFlo®, Sta-Rite® SuperMax®	7¾"	12¾"
Small Base	Hayward Super II™, Jandy® Pro Series PlusHP and MaxHP pumps	8 7/8"	13 7/8"
Small Base w/ Spacers	Pentair WhisperFlo®, Sta-Rite Dyna-Glas™	9 1/8"	14 1/8"
Small Base + Large Base	Sta-Rite Max-E-Pro®, Sta-Rite Dura-Glas®, Sta-Rite Dura-Glas II, Sta-Rite Max-E-Glas®	10¾"	15¾"

VS FloPro Pump Curves



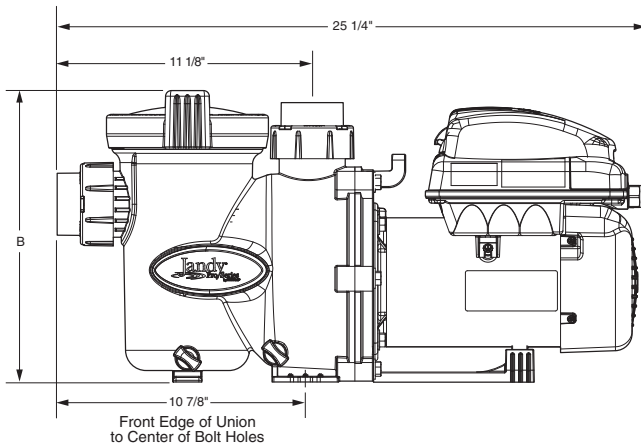
Technical Information

Specifications and Dimensions for VS FloPro™ Pumps

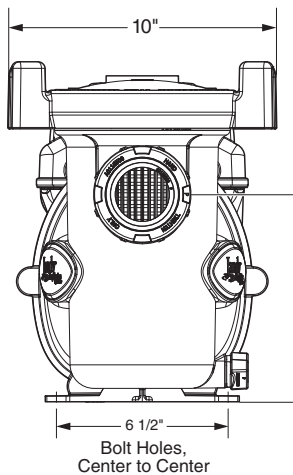
Full Rated Pumps						
Model No.	HP*	Voltage	Watts	Recommended Pipe Size	Carton Weight	Overall Length
VSFHP165	1.0	230 VAC	1,600 W	1½ – 2½"	46 lbs.	25¼"

*Total HP: 1.65

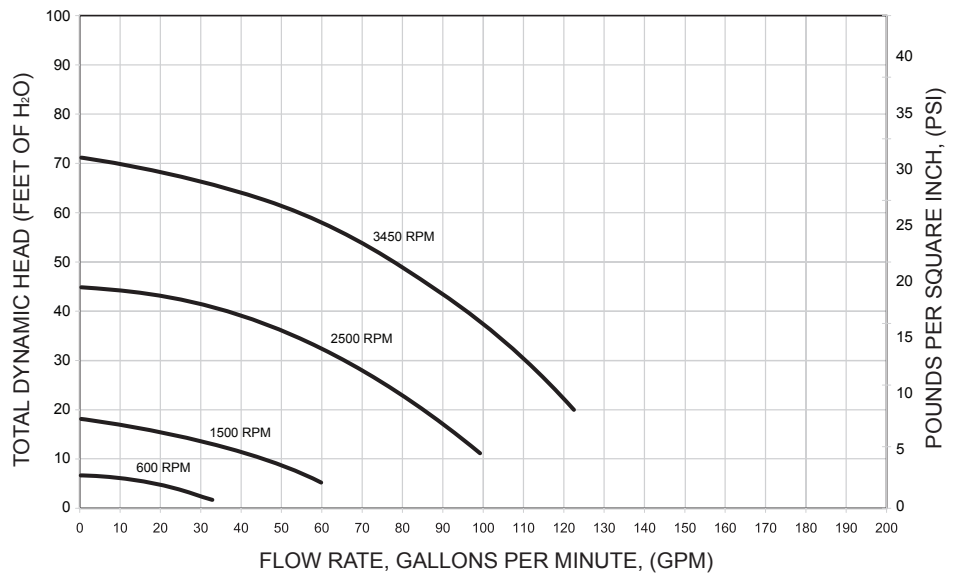
When installing the pump, leave a minimum of 2 ft. of clearance above the pump for removal of strainer basket.



Base Options	Fits	'A' Dimension	'B' Dimension
No Base	Hayward® Super Pump®, Pentair® SuperFlo®, Sta-Rite® SuperMax®	7¾"	12¾"
Small Base	Hayward Super II™, Jandy® Pro Series PlusHP and MaxHP pumps	8⅞"	13⅞"
Small Base w/ Spacers	Pentair WhisperFlo®, Sta-Rite Dyna-Glas™	9⅛"	14⅛"
Small Base + Large Base	Sta-Rite Max-E-Pro®, Sta-Rite Dura-Glas®, Sta-Rite Dura-Glas II, Sta-Rite Max-E-Glas®	10¾"	15¾"



VS FloPro Pump Curves



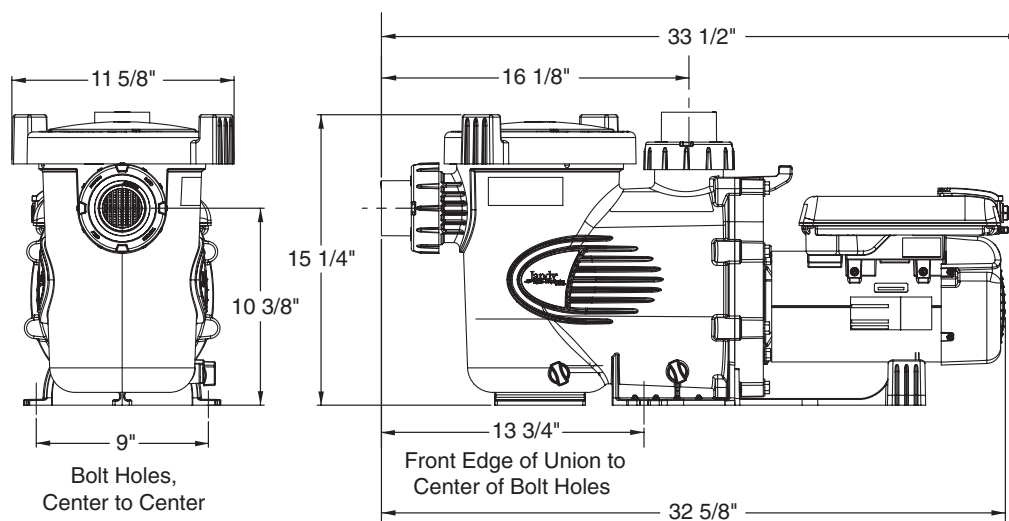
Technical Information

Specifications and Dimensions for ePump™ + SVRS Variable-Speed Pump

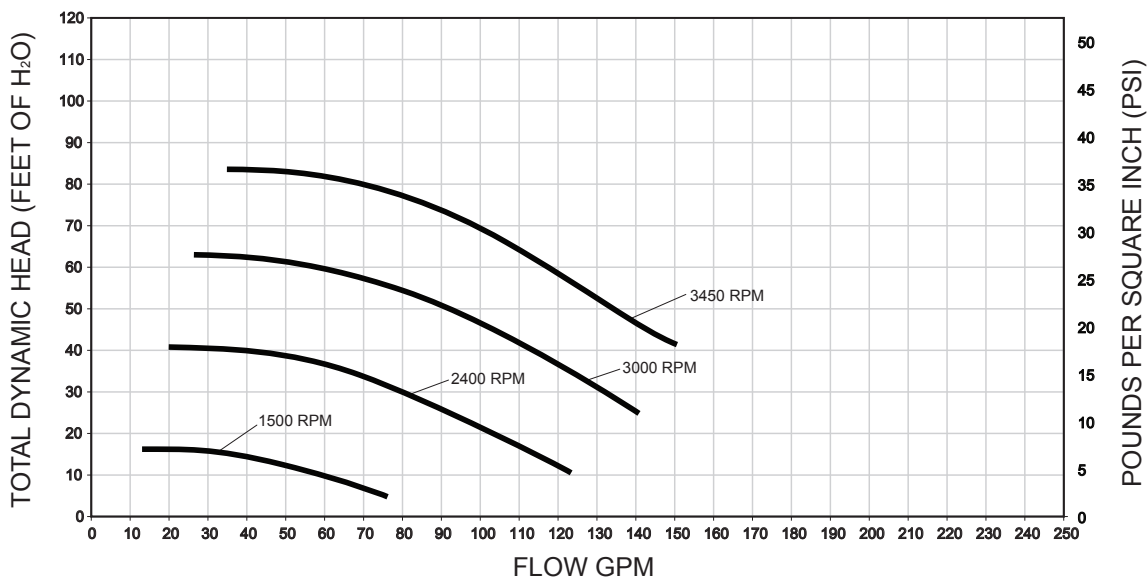
Full Rated Pumps						
Model No.	HP*	Voltage	Watts	Recommended Pipe Size	Carton Weight	Overall Length
JEP2.0SVRS	0.25–2.7	230VAC	2,400 W	2½–3"	71.5 lbs.	33½"

*Total HP: 2.7

When installing the pump, leave a minimum of 2 ft. of clearance above the pump for removal of strainer basket.



ePump + SVRS Pump Curves



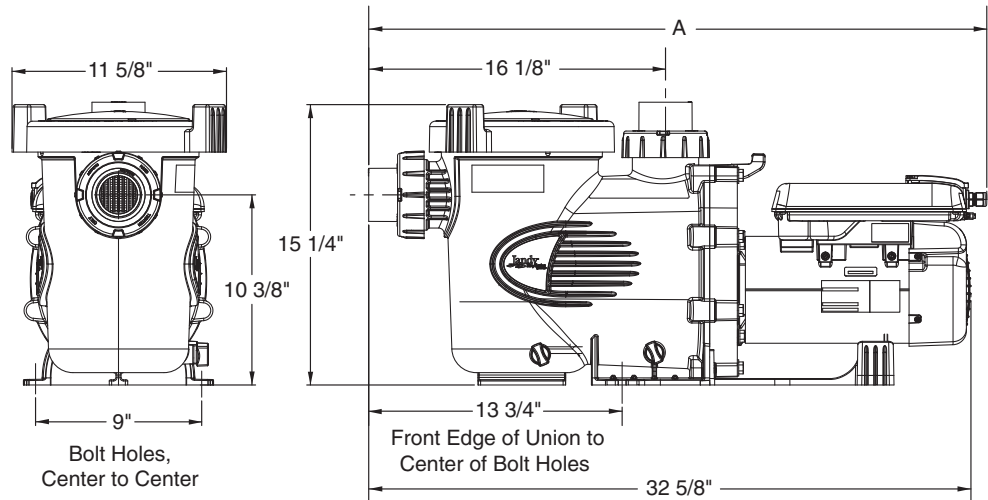
Technical Information

Specifications and Dimensions for ePump™ Pumps

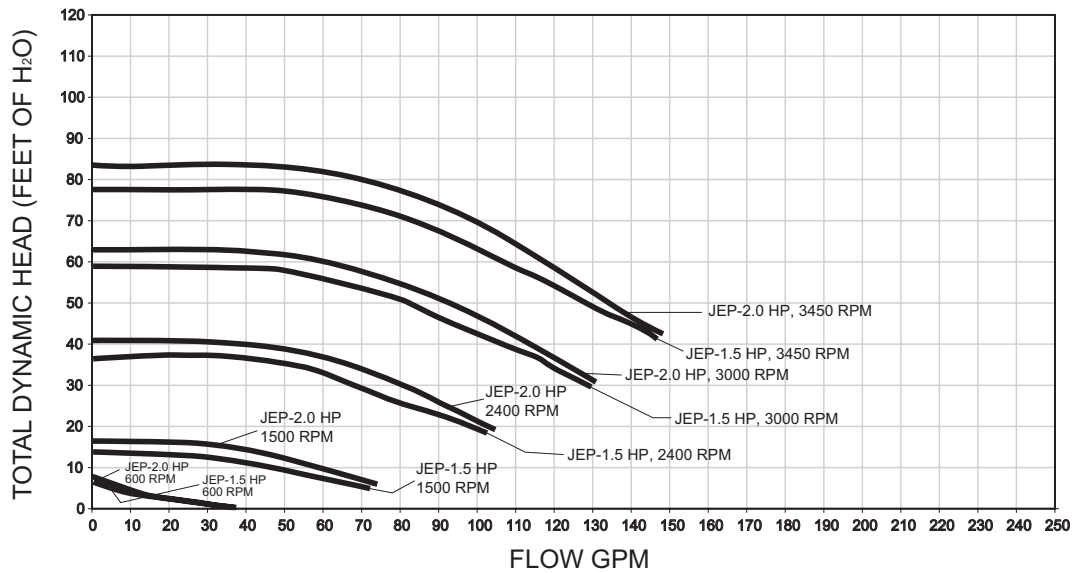
Full Rated Pumps						
Model No.	HP*	Voltage	Watts	Recommended Pipe Size	Carton Weight	Overall Length 'A'
VSSH220	0.25–2.2	230VAC	2,100 W	2½–3"	71.5 lbs.	33½"
VSSH270	0.25–2.7	230VAC	2,300 W	2½–3"	71.5 lbs.	33½"

*Total HP: 2.2, 2.7

When installing the pump, leave a minimum of 2 ft. of clearance above the pump for removal of strainer basket.



ePump (VSSH) Pump Curves



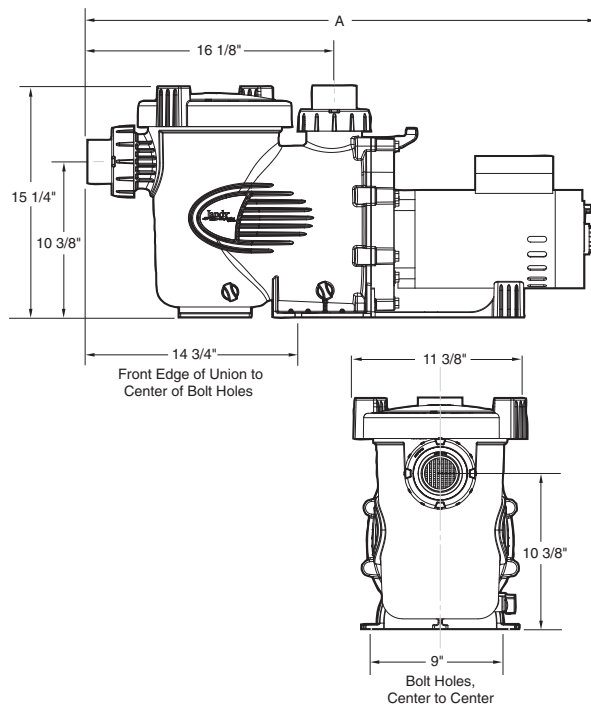
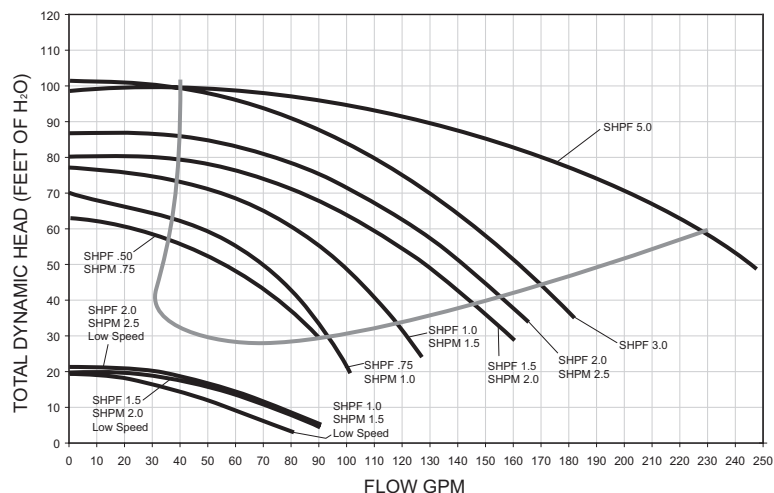
Specifications and Dimensions for Stealth™ (SHPF/SHPM) Pumps

Full Rated Pumps						
Model No.	HP	Voltage	Amps	Recommended Pipe Size	Carton Weight	Overall Length 'A'
SHPF.50	.50	208-230/115	4.4-4.5/8.8	2-2½"	30 lbs.	31⅛"
SHPF.75	.75	208-230/115	6.0-5.6/11.2	2-2½"	43 lbs.	31⅞"
SHPF1.0	1.0	208-230/115	7.8-7.4/14.8	2-2½"	45 lbs.	32¼"
SHPF1.5	1.5	208-230	9.6-8.8	2-2½"	50 lbs.	32⅝"
SHPF2.0	2.0	208-230	11.0-10.0	2-2½"	57 lbs.	33⅛"
SHPF3.0	3.0	208-230	15.0-13.6	2½-3"	62 lbs.	33⅛"
SHPF5.0	5.0	208-230	17.0-19.0	4"	68 lbs.	33¾"
SHPF1.0-2	1.0	230	7.2/3.0	2-2½"	50.4 lbs.	33⅛"
SHPF1.5-2	1.5	230	10.0/3.5	2-2½"	57 lbs.	33⅝"
SHPF2.0-2	2.0	230	11.0/4.0	2-2½"	64 lbs.	33⅛"
3 Phase Pumps						
SHPF1.0-3PH	1.0	208-230/460	5.0-4.6/2.3	2-2½"	55 lbs.	31⅞"
SHPF1.5-3PH	1.5	208-230/460	6.4-5.8/2.9	2-2½"	57 lbs.	32⅛"
SHPF2.0-3PH	2.0	208-230/460	7.1-6.8/3.4	2-2½"	64 lbs.	32⅝"
SHPF3.0-3PH	3.0	208-230/460	9.0-8.6/4.3	2½-3"	62 lbs.	32⅝"

Maximum (Up) Rated Pumps						
SHPM.75	.75	208-230/115	4.4-4.5/8.8	2-2½"	30 lbs.	31⅛"
SHPM1.0	1.0	208-230/115	6.0-5.6/11.2	2-2½"	43 lbs.	31⅞"
SHPM1.5	1.5	208-230/115	7.8-7.4/14.8	2-2½"	45 lbs.	32¼"
SHPM2.0	2.0	208-230	9.6-8.8	2-2½"	50 lbs.	32⅝"
SHPM2.5	2.5	208-230	11.0-10.0	2-2½"	57 lbs.	33⅛"
SHPM1.5-2	1.5	230	7.2/3.0	2-2½"	52 lbs.	32⅛"
SHPM2.0-2	2.0	230	10.0/3.5	2-2½"	57 lbs.	32⅝"
SHPM2.5-2	2.5	230	11.0/4.0	2-2½"	64 lbs.	33⅛"

When installing pump provide the following: 1) a minimum of 2 ft. of clearance above the pump for removal of strainer basket and 2) a minimum of 8" of clearance behind the motor for removal of motor.

Stealth (SHPF/SHPM) Pump Curves

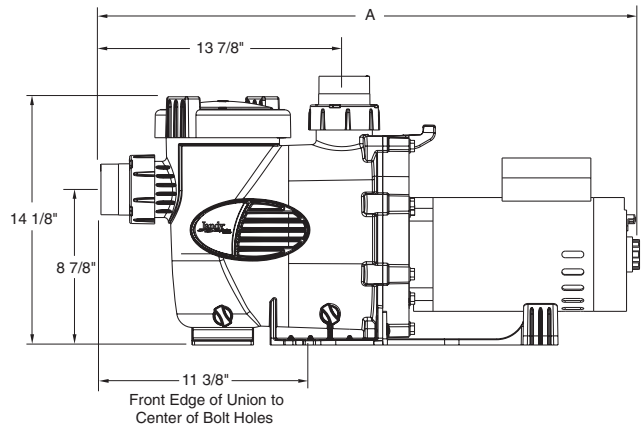


Specifications and Dimensions for PlusHP (PHPF/PHPM) Pumps

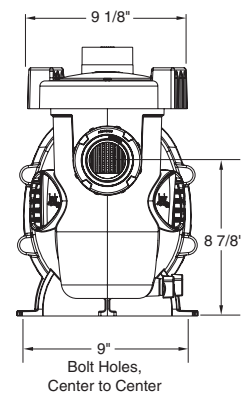
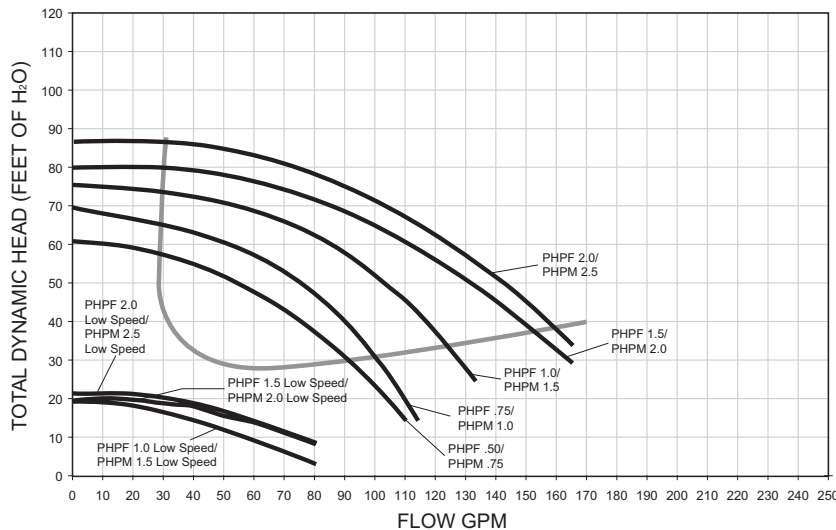
Full Rated Pumps						
Model No.	HP	Voltage	Amps	Recommended Pipe Size	Carton Weight	Overall Length 'A'
PHPF.50	.50	230/115	5.4/10.8	1½–2"	40.4 lbs.	28¾"
PHPF.75	.75	230/115	7.1/14.2	2–2½"	41.8 lbs.	28¾"
PHPF1.0	1.0	230/115	8.0/16.0	2–2½"	43.3 lbs.	29¼"
PHPF1.5	1.5	230/115	11.2/22.4	2–2½"	54.6 lbs.	30¾"
PHPF2.0	2.0	230	11.5	2–2½"	49.3 lbs.	29 ⁷ / ₈ "
PHPF1.0-2	1.0	230	7.2/3.0	2–2½"	48.7 lbs.	29¾"
PHPF1.5-2	1.5	230	10.0/3.5	2–2½"	52.9 lbs.	30¼"
PHPF2.0-2	2.0	230	11.0/4.0	2–2½"	62.3 lbs.	29¾"

Maximum (Up) Rated Pumps						
Model No.	HP	Voltage	Amps	Recommended Pipe Size	Carton Weight	Overall Length 'A'
PHPM.75	.75	230/115	5.4/10.8	1½–2"	40.4 lbs.	28¾"
PHPM1.0	1.0	230/115	7.1/14.2	2–2½"	41.8 lbs.	28¾"
PHPM1.5	1.5	230/115	8.0/16.0	2–2½"	43.3 lbs.	29¼"
PHPM2.0	2.0	230/115	11.2/22.4	2–2½"	54.6 lbs.	30¾"
PHPM2.5	2.5	230	11.5	2–2½"	49.3 lbs.	29 ⁷ / ₈ "
PHPM1.5-2	1.5	230	7.2/3.0	2–2½"	48.7 lbs.	29¾"
PHPM2.0-2	2.0	230	10.0/3.5	2–2½"	52.9 lbs.	30¼"
PHPM2.5-2	2.5	230	11.0/4.0	2–2½"	62.3 lbs.	29¾"

When installing pump provide the following: 1) a minimum of 2 ft. of clearance above the pump for removal of strainer basket and 2) a minimum of 8" of clearance behind the motor for removal of motor.



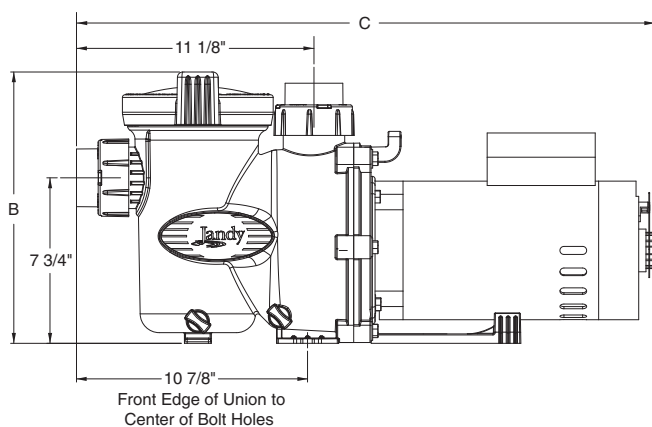
PlusHP (PHPF/PHPM) Pump Curves



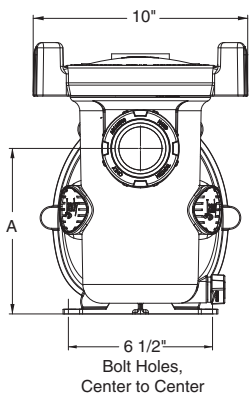
Specifications and Dimensions for FloPro™ (FHPM) Pumps

FHPM Pump Specifications						
Model No.	HP	Voltage	Amps	Recommended Pipe Size	Carton Weight	Overall Length 'C'
FHPM .75	0.75	230/115	5.4/10.8	1½–2"	40.6 lbs.	25¾"
FHPM 1.0	1.00	230/115	7.1/14.2	2–2½"	41.2 lbs.	25¾"
FHPM 1.5	1.50	230/115	8.0/16	2–2½"	42.6 lbs.	25½"
FHPM 2.0	2.00	230/115	11.2/22.4	2–2½"	54.6 lbs.	27¾"
FHPM 2.5	2.50	230	11.5	2½–3"	48.6 lbs.	26¾"
FHPM 1.0-2SPD	1.00	230	7.1/2.3	2½–3"	46.5 lbs.	26¾"
FHPM 1.5-2SPD	1.50	230	8.0/3.0	2½–3"	48.0 lbs.	26¾"
FHPM 2.0-2SPD	2.00	230	11.2/3.5	2½–3"	52.9 lbs.	27¼"

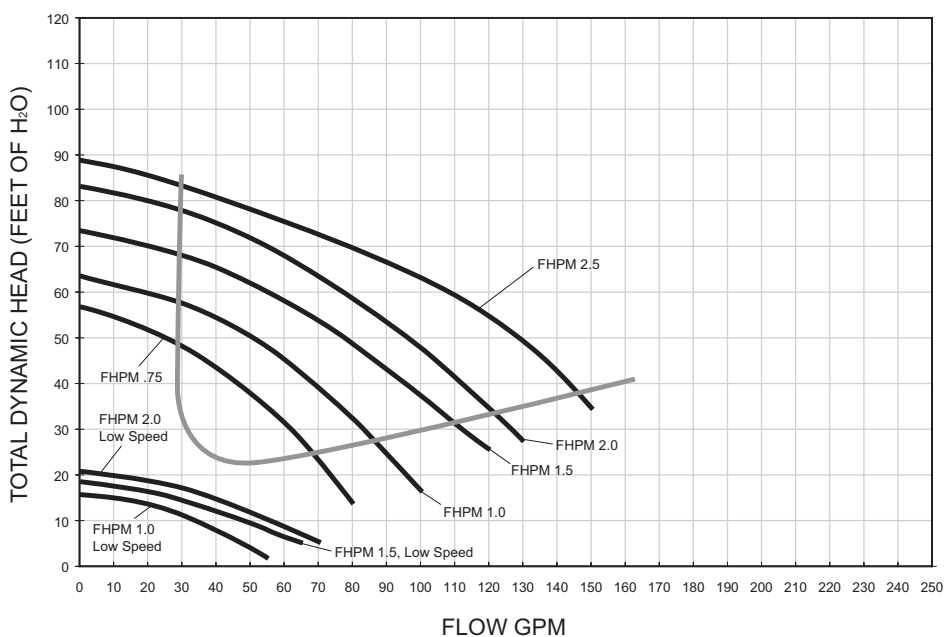
When installing pump provide the following: 1) a minimum of 2 ft. of clearance above the pump for removal of strainer basket and 2) a minimum of 8" of clearance behind the motor for removal of motor.



Base Options	Fits	'A' Dimension	'B' Dimension
No Base	Hayward® Super Pump®, Pentair® SuperFlo®, Sta-Rite® SuperMax®	7¾"	12¾"
Small Base	Hayward Super II™, Jandy® Pro Series PlusHP and MaxHP pumps.	8⅞"	13⅞"
Small Base w/ Spacers	Pentair WhisperFlo®, Sta-Rite Dyna-Glas™	9⅛"	14⅛"
Small Base + Large Base	Sta-Rite Max-E-Pro®, Sta-Rite Dura-Glas®, Sta-Rite Dura-Glas II, Sta-Rite Max-E-Glas®	10¾"	15¾"



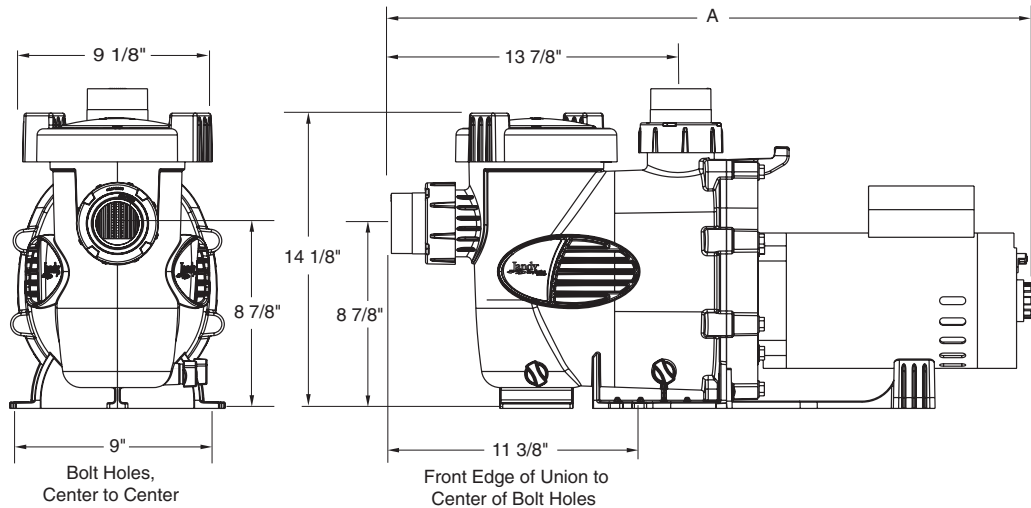
FloPro (FHPM) Pump Curves



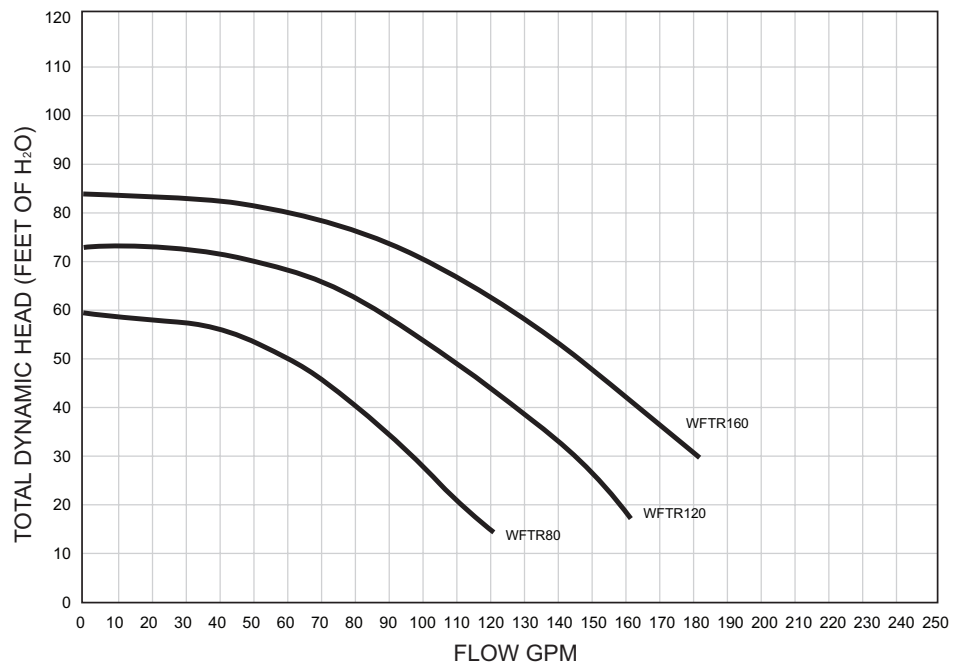
Specifications and Dimensions for WaterFeature (WFTR) Pumps

WFTR Pump Specifications						
Model No.	GPM	Voltage	Amps	Recommended Pipe Size	Carton Weight	Overall Length 'A'
WFTR80	80 GPM	230/115	5.4/10.8	1½–2"	40.6 lbs.	29¼"
WFTR120	120 GPM	230/115	8.0/16	2–2½"	42.6 lbs.	29¼"
WFTR160	160 GPM	230	11.5	2½–3"	48.6 lbs.	30"

When installing the pump, leave a minimum of 2 ft. of clearance above the pump for removal of strainer basket.



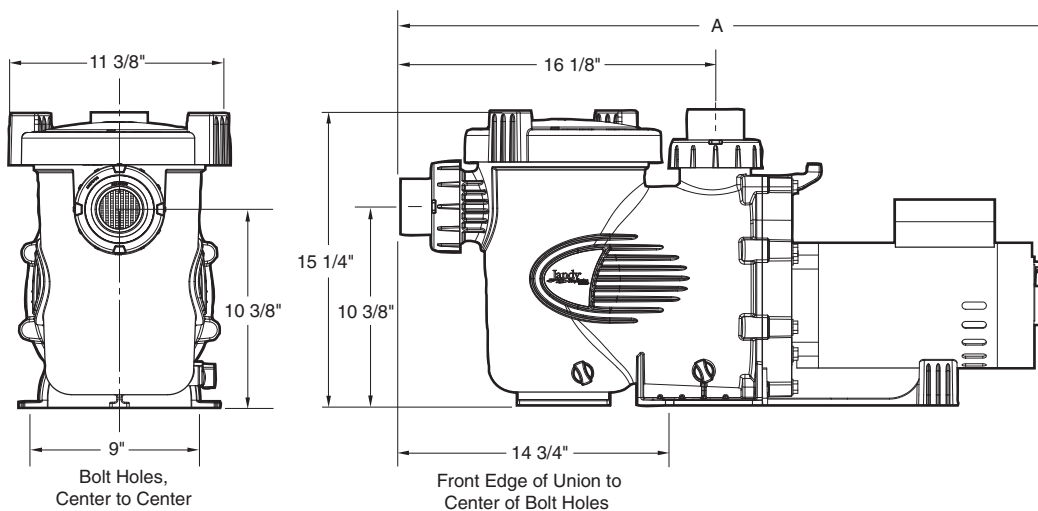
WaterFeature (WFTR) Pump Curves



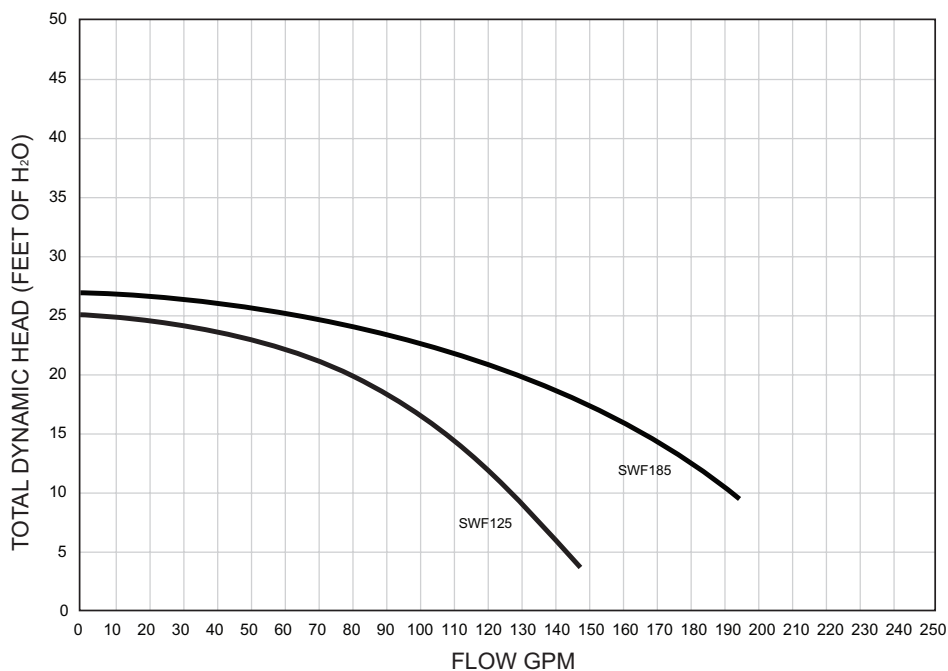
Specifications and Dimensions for WaterFall (SWF) Pumps

SWF Pump Specifications						
Model No.	HP	Voltage	Amps	Recommended Pipe Size	Carton Weight	Overall Length 'A'
SWF125	.75	230/115	4.8/9.6	2½–3"	48 lbs.	33¼"
SWF185	1.0	230/115	6.0/12.0	2½–3"	56 lbs.	34½"










When installing the pump, leave a minimum of 2 ft. of clearance above the pump for removal of strainer basket.



WaterFall (SWF) Pump Curves



Jandy® Variable-Speed Pump - Ordering Instructions

Motor Type	Pump Type	Horsepower	User Interface
VS = Variable Speed 	FHP = FloPro  <i>Medium Head</i> <i>Overall Length: 25"-27"</i>	165 = 1.65 THP 270 = 2.70 THP	JEP = JEP-R Digital Controller Included  <hr/> AUT = Automation Required AquaLink® or iQPUMP01 
	PHP = PlusHP  <i>High Head</i> <i>Overall Length: 31"</i>	270 = 2.70 THP	JEP = Includes JEP-R Digital Controller  <hr/> AUT = Automation Required AquaLink or iQPUMP01 
	SHP = ePump™/ Stealth™  <i>High Head</i> <i>Overall Length: 33.5"</i>	220 = 2.20 THP 270 = 2.70 THP	AUT = Automation Required AquaLink or iQPUMP01 

Jandy Variable-Speed Pump - Part Number Examples

Example 1: VSPHP270JEP =	VS <u>Variable Speed</u> 	PHP <u>PlusHP</u> 	270 2.70 Total Horsepower <hr/> 2.70 THP	JEP JEP-R Digital Controller Included 
Example 1: VSFHP165AUT =	VS <u>Variable Speed</u> 	FHP <u>FloPro</u> 	165 1.65 Total Horsepower <hr/> 1.65 THP	AUT (Auto. Req.) AquaLink or iQPUMP01 

Technical Information

Hydraulics for Pools and Spas

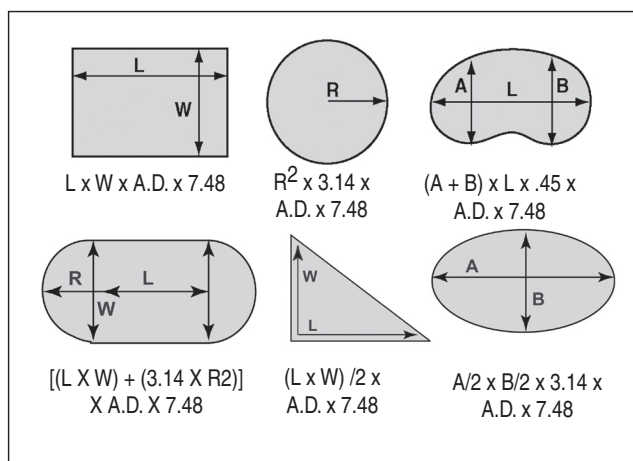
Hydraulics is the study of liquids at rest and in motion. The liquid that we need to understand is water.

- We need to understand how much water a pool or spa holds (pool volume in gallons).
- How much time it takes for all the swimming pool water to be filtered one time (turnover rate).
- How much resistance or friction loss (feet of head) results from the water moving through the pipe at specific speeds (feet per second).
- How this resistance will be overcome (choosing the appropriate pump size).
- How to filter this water efficiently and effectively (filter sizing).

Step 1. Calculate Pool Capacity

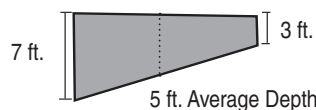
How many gallons does the pool or spa hold? Only four (4) simple steps are needed to calculate this for a pool or spa.

- Calculate the pool or spa surface area in square feet (ft²).
- Calculate the average depth (A.D.) of the pool or spa.
- Calculate cubic feet (ft³).
- Convert to gallons by multiplying by 7.48 (7.48 gallons in 1 cubic foot of water).



Each calculation below is based on the following example: 20' x 40' rectangular pool, 3 ft. to 7 ft. deep.

1. Calculate surface area
20 ft. x 40 ft. = 800 ft²
2. Calculate average depth
(3 ft. + 7 ft.) ÷ 2 = 5 ft.
3. Calculate cubic foot
800 ft² x 5 ft. = 4,000 ft³
4. Convert to gallons
4,000 ft³ x 7.48 gallons/ft³ = 29,920 gallons



Step 2. Calculate Turnover Rates

Once you have the pool or spa volume in gallons, you can figure out the turnover rate. The turnover rate is how much time it takes for all of the swimming pool/spa volume (gallons of water) to go through the pump and filtration equipment. To calculate the turnover rate we need to know at least two (2) of the following items:

- Pool/Spa volume in gallons
- Turnover Time
- Pump Flow in gallons per minute (GPM).

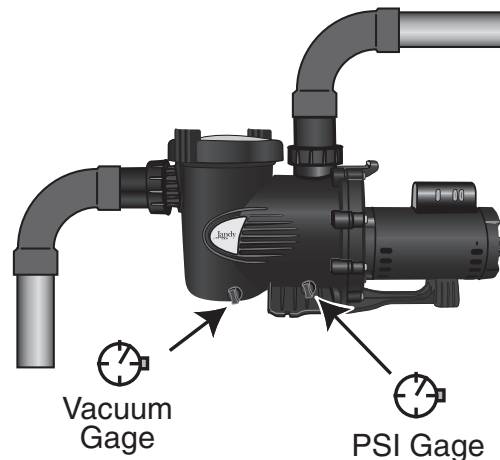
Examples A, B and C below give the relationship between these three (3) items.

A.	$\frac{\text{Gallons}}{\text{Turnover Time}} = \text{Pump Flow}$
Example:	$\frac{30,000 \text{ Gallons}}{480 \text{ Minutes}} = \text{Pump Sized to } 62.5 \text{ GPM}$
B.	$\frac{\text{Gallons}}{\text{Pump Flow}} = \text{Turnover Rate}$
Example:	$\frac{30,000 \text{ Gallons}}{\text{Pump Sized to } 62.5 \text{ GPM}} = 480 \text{ Minutes}$
C.	$\text{Pump Flow} \times \text{Turnover Time} = \text{Pool Volume in Gallons}$
Example:	$\text{Pump Flow of } 62.5 \text{ GPM} \times 480 \text{ Minutes} = 30,000 \text{ Gallons}$

Step 3. Determine Friction Loss

Everything that water travels through in the recirculation system (e.g. pipes, fittings, filters, valves, etc.) creates resistance, or “head loss.” The sum total of this resistance is called “Total Dynamic Head” (TDH). It is measured in “feet of head.” The easiest and quickest way to determine the TDH is by using two different gauges—PSI or “pounds per square inch” gauge and a vacuum gauge measured in inHg “inches of mercury.” PSI gauges are commonly found on the top of the filter. A pressure gauge with a ¼" national pipe thread can be threaded into the right or rear drain plug port. A vacuum gauge with ¼" national pipe thread can be threaded into the left or front drain plug port (basket side of the pump).

Follow the simple process below to determine TDH of your system.



A. Pressure side Friction Loss

PSI gauge reading x 2.31 = feet of head for discharge side of system
10 PSI x 2.31 = 23.1 feet of head

B. Suction side Friction Loss

Vacuum gauge reading x 1.13 = feet of head for suction side of system
10 in Hg x 1.13 = 11.3 feet of head

C. Total Dynamic Head

Pressure side + suction side = TDH feet of head
23.1 ft. + 11.3 ft. = 34.4 feet of head

Step 3. Continued

The table below provides maximum flow rates (GPM) at line velocity (ft./sec.) for Schedule 40 PVC pipe. Maximum line velocity for suction lines is (6 ft./sec.). Maximum line velocity for discharge lines is (8 ft./sec.).

Pipe Size (PVC)	Suction Line 6 ft./sec	Return Line 8 ft./sec
1½	38 GPM	51 GPM
2	63 GPM	84 GPM
2½	90 GPM	119 GPM
3	138 GPM	184 GPM
4	238 GPM	317 GPM

Basic Measurement Terminology

GPM = gallons per minute

Feet per second = water velocity, how fast the water travels.

PSI = pounds per square inch, pressure

in Hg = inches of mercury, vacuum

TDH = Total Dynamic Head, total pressure in feet of water in the operating pump system.

Step 4. Pump Sizing

Model No.	H.P.	Pump Output (GPM) vs. Total Resistance to Flow (Feet of Head)			
		40 ft.	50 ft.	60 ft.	70 ft.

Stealth™ PERFORMANCE DATA

SHPF.50/SHPM.75	.50/.75	73	53	25	N/A
SHPF.75/SHPM1.0	.75/1.0	83	70	50	N/A
SHPF1.0/SHPM1.5	1.0/1.5	110	100	80	55
SHPF1.5/SHPM2.0	1.5/2.0	145	128	110	85
SHPF2.0/SHPM2.5	2.0/2.5	147	142	125	105
SHPF3.0	3.0	175	162	148	130
SHPF5.0	5.0	N/A	247	225	200

PlusHP PERFORMANCE DATA

PHPF.50/PHPM.75	.50/.75	75	55	10	N/A
PHPF.75/PHPM1.0	.75/1.0	90	75	50	N/A
PHPF1.0/PHPM1.5	1.0/1.5	116	104	85	55
PHPF1.5/PHPM2.0	1.5/2.0	150	130	110	85
PHPF2.0/PHPM2.5	2.0/2.5	158	143	125	103

Model No.	H.P.	Pump Output (GPM) vs. Total Resistance to Flow (Feet of Head)			
		30 ft.	40 ft.	50 ft.	60 ft.

FloPro™ PERFORMANCE DATA

FHPM.75	.50	62	45	25	N/A
FHPM1.0	.75	83	68	50	20
FHPM1.5	1.0	112	95	78	55
FHPM2.0	1.5	127	112	96	76
FHPM2.5	2.0	N/A	144	128	110

Model No.	GPM	Pump Output (GPM) vs. Total Resistance to Flow (Feet of Head)			
		20 ft.	40 ft.	60 ft.	80 ft.

WaterFeature PERFORMANCE DATA

WFTR80	80	112	80	N/A	N/A
WFTR120	120	158	127	85	N/A
WFTR160	160	N/A	164	125	60

Model No.	GPM	Pump Output (GPM) vs. Total Resistance to Flow (Feet of Head)				
		8 ft.	12 ft.	16 ft.	20 ft.	24 ft.

WaterFall PERFORMANCE DATA

SWF125	125	128	115	98	74	18
SWF185	185	162	147	132	110	80

N/A- Not Applicable

Choose the proper pump based on the flow (GPM) and resistance (feet of head). For specific performance data, see pump pages 18-27.

Step 5. Filter Sizing

Choose the proper filter based on the design flow rate and turnover rate. See flow rate chart.

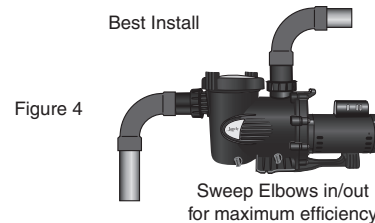
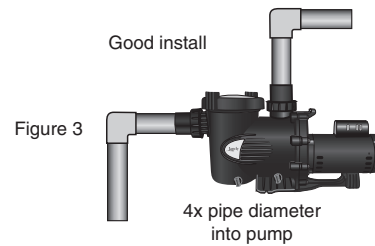
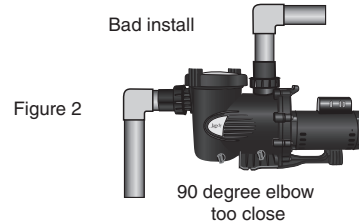
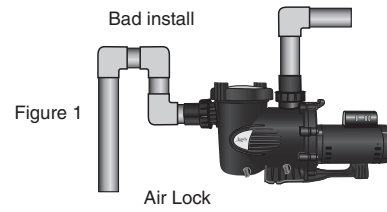
FLOW RATE

Filter Type	Commercial	Residential
DE	1.5 gpm	2 gpm
Cartridge	.375 gpm	1 gpm
Sand	15 gpm	20 gpm

Gallons per minute to sq. ft. of filter media surface area.

Proper Pump Installation

- Pump with air lock is bad installation (see Figure 1).
- Pump with 90° elbow is bad installation (see Figure 2).
- Good installation should not have an air lock and should have 4x the pipe diameter going into the suction side port (see Figure 3).
- Best installation uses Sweep Elbows for maximum efficiency (see Figure 4).



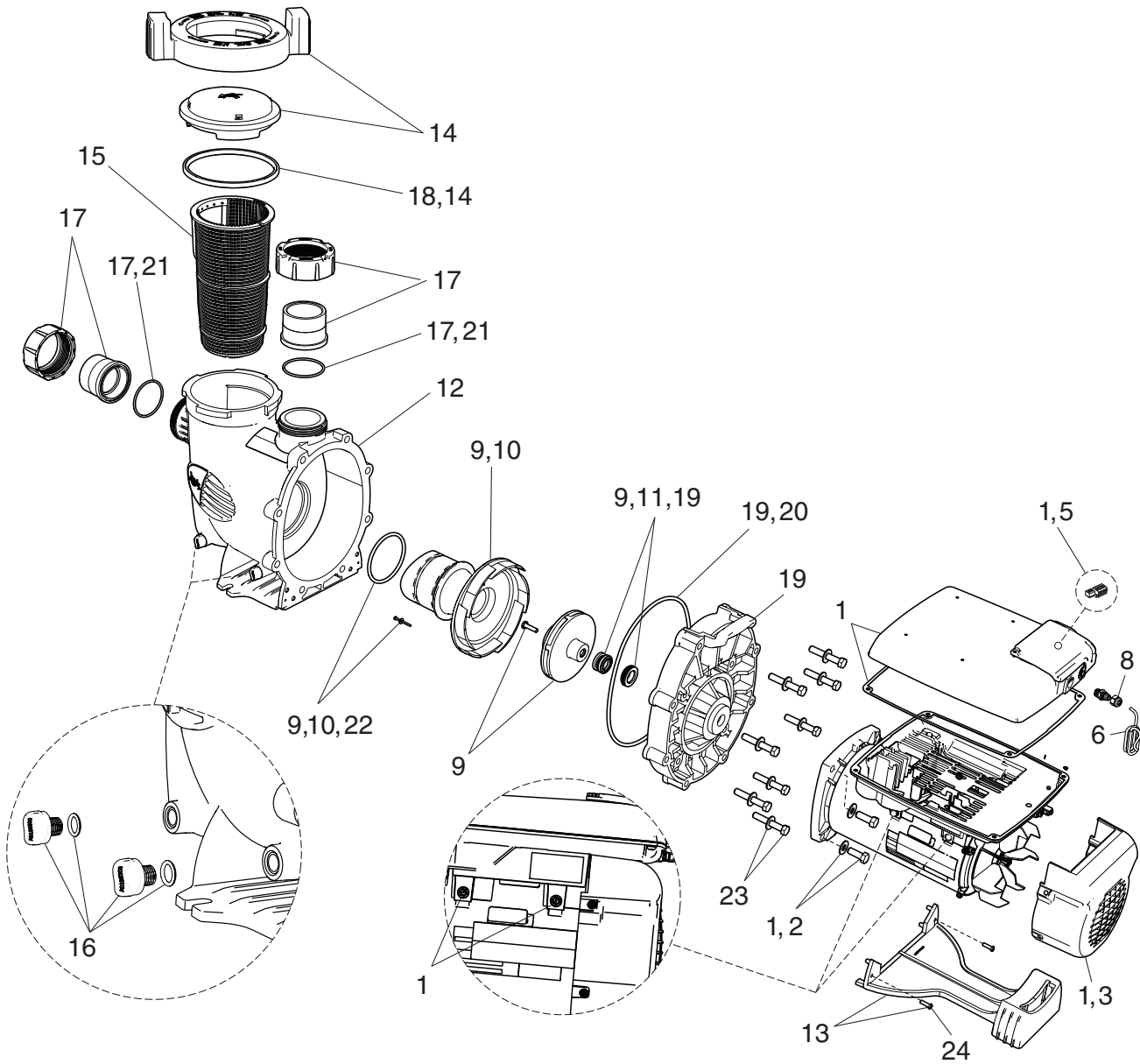
VS PlusHP Series Pump (Mfg. 2014–Present)

VSPHP270

Key No.	Part#	Description	Qty.
1	R0562201	Motor, Drive	1
2	R0446700	Motor Hardware Kit	1
3	R0562400	Cover Fan, GEN II Replacement Kit (Hardware, Cover)	1
5	R0660900	Connector, Speed Drive, (4-Pin Connector)	KIT
6	R0535100	Cable, RS-485, Replacement Kit	1
8	R0501100	Data Cable, Feed Thru	KIT
9	R0445305	Impeller and Diffuser w/ Screw w/ O-ring, PHPM	1
10	R0445400	Diffuser w/ O-ring and Hardware	1
11	R0479400	Mechanical Seal (Carbon and Ceramic)	1
12	R0448700	Pump Body	1
13	R0445700	Motor Mounting Foot Assembly w/ Screws	1

Key No.	Part#	Description	Qty.
14	R0448800	Locking Ring w/ Lid & Seal	1
15	R0448900	Pump Debris Filter Basket	1
16	R0446000	Drain Plug w/ O-ring	1
17	R0449000	Tail Piece (2" x 2½") w/ O-ring & Coupling Nut (Set of 2)	1
18	R0449100	Lid Seal and Lid O-ring (Lid O-ring Not Shown)	1
19	R0445200	Backplate Kit w/ Hardware and Mechanical seal	1
20	R0446300	O-ring, Backplate	1
21	R0449200	O-ring, Tail Piece	1
22	R0446500	Diffuser/Impeller w/ O-rings and Mounting Hardware	1
23	R0446600	Backplate Bolts and Washers	1
24	R0446800	Screws, Motor Mounting Foot	1

VS PlusHP Series Pump (Mfg. 2014–Present) VSPHP270



VS FloPro™ Series Pump

VS-FHP2.0, VSFHP270

Key No.	Part#	Description	Qty.
1	R0562201	GEN II Motor, Variable Speed, w/ Drive, VS-FHP	1
2	R0479500	Backplate, (Backplate w/ Hardware, O-ring and Mechanical Seal)	1
3	R0479605	Impeller, (Impeller, Screw w/ O-ring and Backplate O-ring)	1
4	R0479701	Diffuser, (Diffuser w/ O-ring, Hardware and Backplate O-ring)	1
4A	R0622000	Diffuser O-ring	1
5	R0479400	Mechanical Seal, Carbon and Ceramic (1 Set)	1
6	R0479800	Pump Body, (Body and Backplate O-ring)	1
7	R0479900	Motor Mounting Foot	1
8	R0480000	Lid w/ Locking Ring, (Lid w/ Locking Ring and Lid O-ring)	1
9	R0480100	Pump Debris Filter Basket	1
10	R0446000	Drain Plug w/ O-ring (Set of 2)	2
11	R0327301	Tail Piece, O-ring and Union Nut (Set of 2)	2
12	R0480200	Lid O-ring	1
13	R0480300	Backplate O-ring	1
14	R0337600	Tailpiece O-ring (Set of 2)	2
15	R0480400	Diffuser/Impeller Hardware (Diffuser, O-ring, Screws (2), Screw w/ O-ring)	1

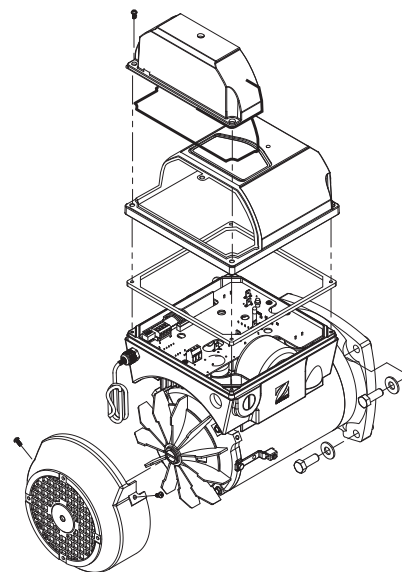
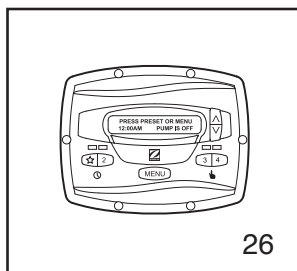
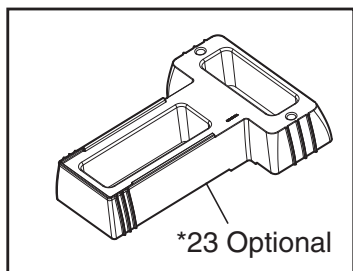
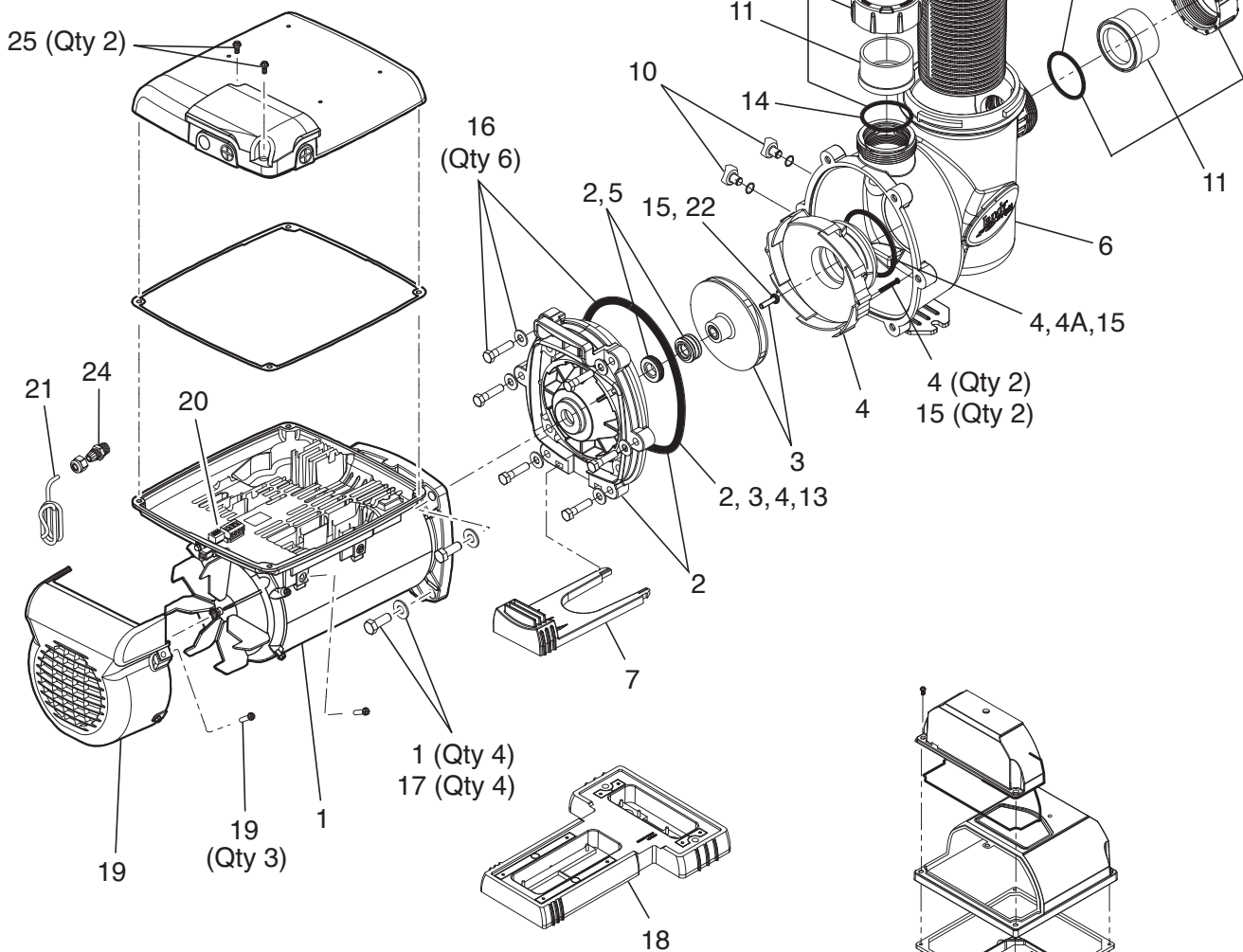
Key No.	Part#	Description	Qty.
16	R0480500	Backplate Hardware (Backplate Hardware and Backplate O-ring)	8
17	R0446700	Motor Hardware Kit	4
18	R0486700	Base Spacer, FHP, VS-FHP, Small	1
19	R0562400	Cover Fan, Gen II Replacement Kit (Hardware, Cover)	Kit
20	R0660900	Connector, Speed Drive, VS-FHP Pump (4-Pin Connector)	1
21	R0535100	Cable, RS485, Replacement Kit	1
22	R0515400	Screw w/ O-ring	1
23	R0546400	Base Spacer, FHP, VS-FHP, Large	1
24	R0501100	Data Cable, Feed Thru	1
25	R0562600	Screw, Electric Box	2
JEP-R Pump Controller			
26	JEP-R	Variable-Speed Pump Remote Controller	Kit

VS FloPro™ Series Pump (Mfg. 2011–Present)

VS-FHP2.0, VSFHP270

GEN II Motor

After pump serial# B12VSFKG001



Zodiac® Motor

Up to pump serial# B12VSFKG001

VS FloPro™ Series Pump

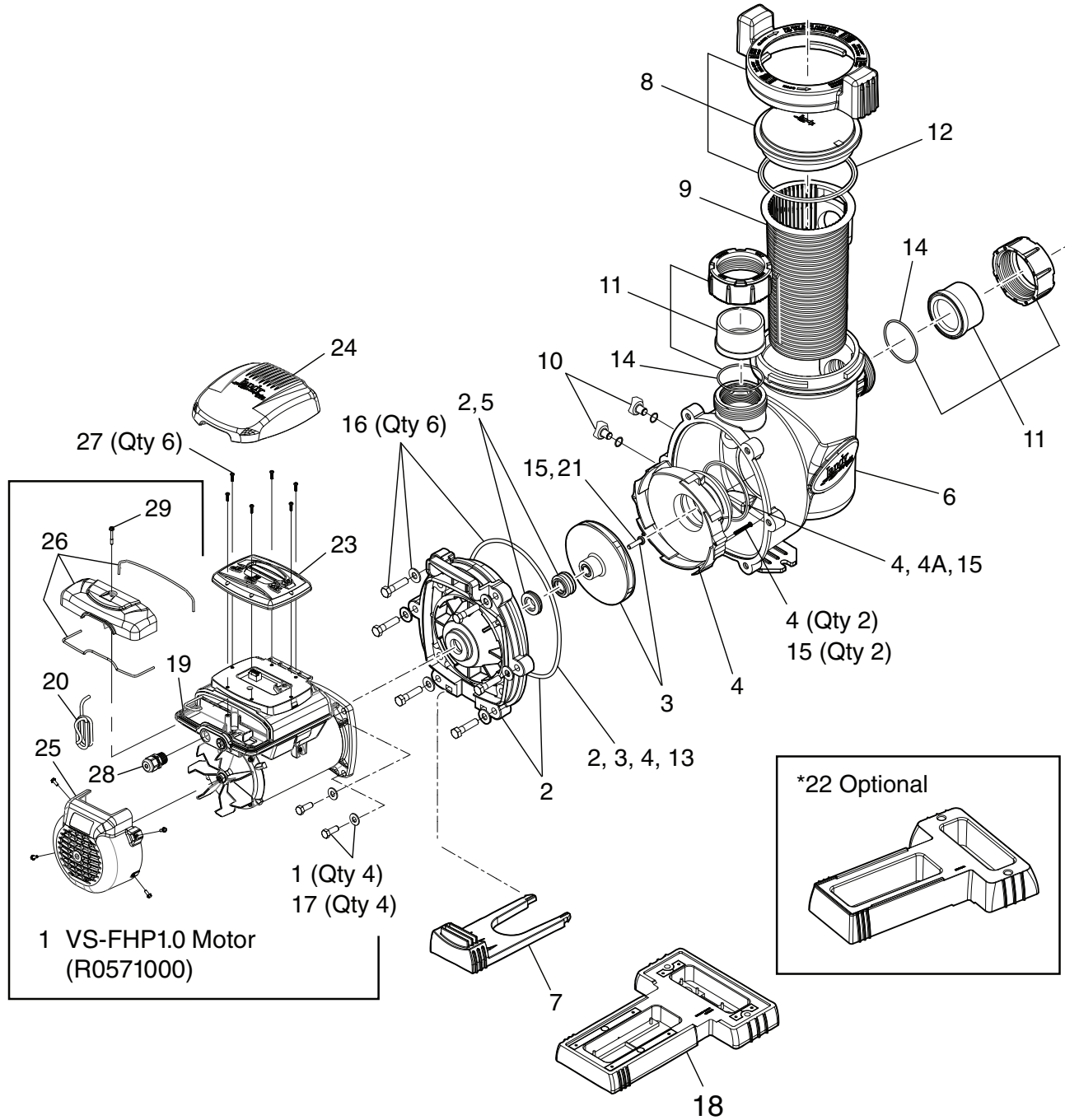
VS-FHP1.0, VSFHP165

Key No.	Part No.	Description	Qty
1	R0571000	Motor, Drive, VS-FHP1.0	1
2	R0479500	Backplate (Backplate w/ Hardware, Backplate O-ring and Mechanical Seal)	1
3	R0479603	Impeller, (Impeller, Screw w/ O-ring)	1
4	R0479701	Diffuser (Diffuser w/ O-ring, Hardware and Backplate O-ring)	1
4A	R0622000	Diffuser O-ring	1
5	R0479400	Mechanical Seal, Carbon and Ceramic (1 Set)	1
6	R0479800	Pump Body (Body and Backplate O-ring)	1
7	R0479900	Motor Mounting Foot	1
8	R0480000	Lid w/ Locking Ring (Lid w/ Locking Ring and Lid O-ring)	1
9	R0480100	Pump Debris Filter Basket	1
10	R0446000	Drain Plug w/ O-ring (Set of 2)	2
11	R0327301	Tail Piece, O-ring and Union Nut (Set of 2)	2
12	R0480200	Lid O-ring	1
13	R0480300	Backplate O-ring	1
14	R0337600	Tailpiece O-ring (Set of 2)	2
15	R0480400	Diffuser/Impeller Hardware (Diffuser O-ring, Screws (2), Self Sealing Screw)	1

Key No.	Part No.	Description	Qty
16	R0480500	Backplate Hardware (Backplate Hardware and Backplate O-ring)	8
17	R0446700	Motor Hardware Kit	4
18	R0486700	Pump Base Kit	1
19	R0660900	Connector, Speed Drive, VS-FHP Pump (4-Pin Connector)	1
20	R0535100	Cable, RS485, Replacement Kit	1
21	R0515400	Screw w/ O-ring	1
22	R0546400	Base Spacer, FHP, VS-FHP, Replacement Kit	1
23	JEP-R	User Interface, Variable-Speed Pumps Replacement Kit	1
24	R0571500	Cover, Controller, VS-FHP 1.0	1
25	R0571300	Fan Cover, VS-FHP1.0	1
26	R0571400	Access Cover, VS-FHP1.0	1
27	R0571600	User Interface Screws, VS-FHP1.0	1
28	R0501101	Conduit Fitting, 1/2 NPT, VS-FHP1.0	1
29	R0587600	Rear Access Cover Screw, VS-FHP1.0	1
N/S	R0501100	Data Cable, Feed Thru	1

VS FloPro™ Series Pump (Mfg. 2013–Present)

VS-FHP1.0, VSFHP165



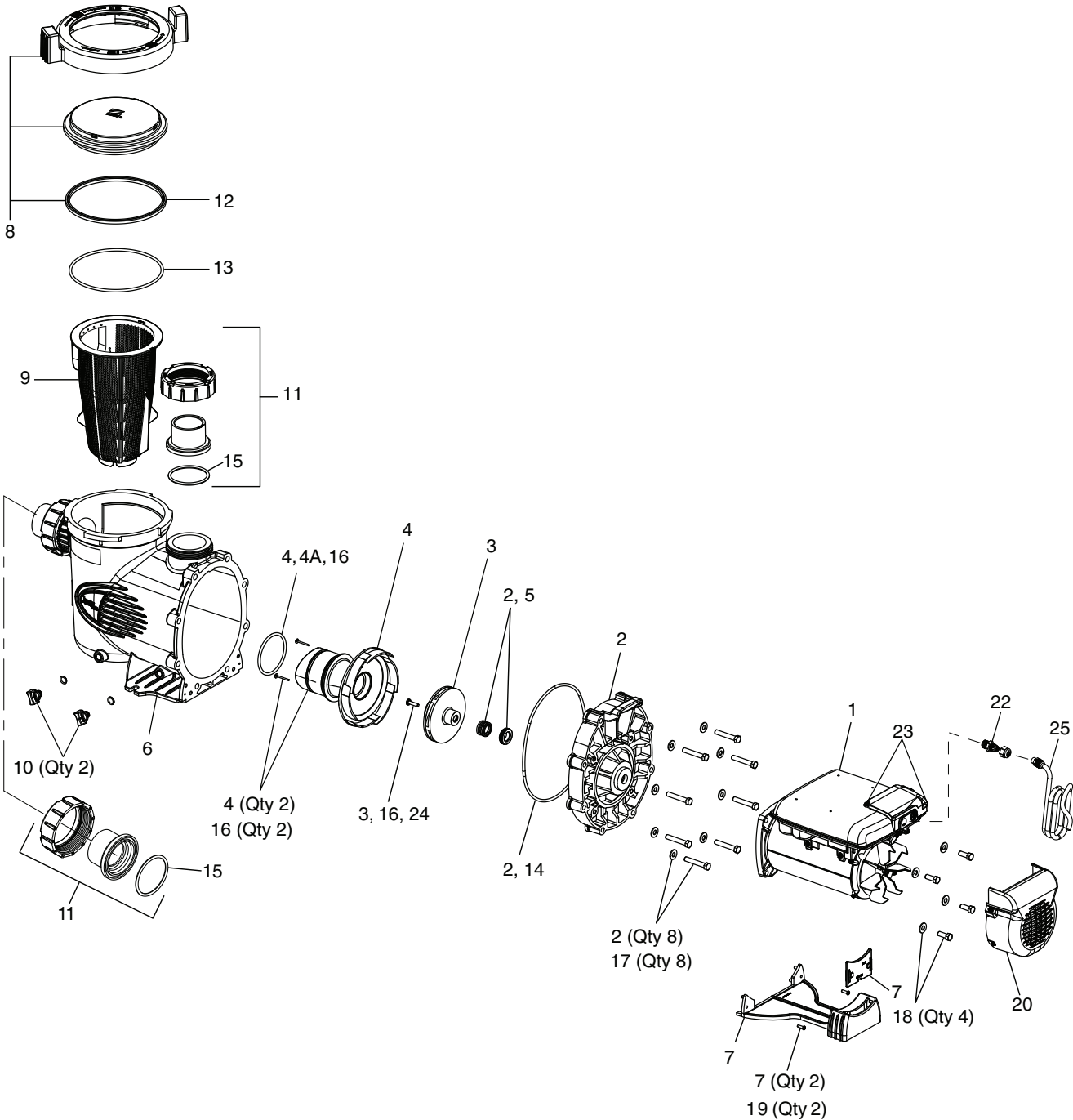
ePump™ + SVRS Variable-Speed Pump

Key No.	Part No.	Description	Size (HP)	Qty.
1	R0562205	Motor w/ Drive, ePump + SVRS Series	2.0	1
2	R0445200	Backplate, JEP	All	1
		Mechanical Seal, Carbon		1
		Mechanical Seal, Ceramic		1
		O-ring		8
		Bolts Washers		8
3	R0445305	Impeller, Assembly, SHP, PHP, JEP	2.0	1
4	R0445400	Diffuser w/ O-ring and Hardware	All	1
4A	R0622000	Diffuser O-ring	All	1
5	R0479400	Mechanical Seal, Carbon	All	1
		Mechanical Seal, Ceramic		1
6	R0445601	Body, Pump, JEP	All	1
7	R0445700	Motor Mounting Foot Assembly	All	1
		SHP/JEP Screws		2
8	R0445800	Locking Ring	All	1
		Lid O-ring		1
9	R0445900	Filter Basket	All	1
10	R0446000	Plug, Drain	All	2
		O-ring		2
11	R0446101	Tail Piece (2" x 2½")	1.5 2.0	2
		Coupling Nut		2
		O-ring		2
12	R0446200	Seal, Lid	All	1
13	R0479000	Blue Pressure Test O-ring	All	1

Key No.	Part No.	Description	Size (HP)	Qty.
14	R0446300	O-ring, Backplate	All	1
15	R0446400	O-ring, Tail Piece (Set of 2)	All	2
16	R0446500	Diffuser/Impeller	All	1
		Hardware Screw w/ O-ring, Self-sealing, Impeller Mounting Screw, Diffuser Mounting Washer, Diffuser Mounting O-ring, Diffuser		2
				2
				2
17	R0446600	Backplate Hardware	All	8
		Bolts Washers		8
18	R0446700	Motor Hardware	All	4
		Bolts Washers		4
19	R0446800	Screws, Motor Mounting Foot	All	2
20	R0562400	Fan Cover w/ Hardware, JEP Series	All	Kit
21	R0660900	Connector, Speed Drive, ePump (4-Pin Connector) (Not Shown)	All	1
22	R0501100	Data Cable Bulkhead Fitting	All	1
23	R0562600	Screw, Electrical Box (Set of 2)	All	1
24	R0515400	Screw w/ O-ring, Self-Sealing	All	1
25	R0535100	Cable, RS485, Replacement Kit	All	1

ePump™ + SVRS Variable-Speed Pump (Mfg. 2013–Present)

JEP2.0SVRS



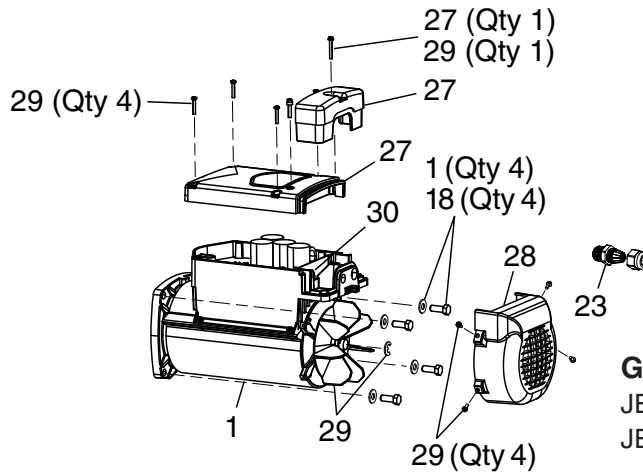
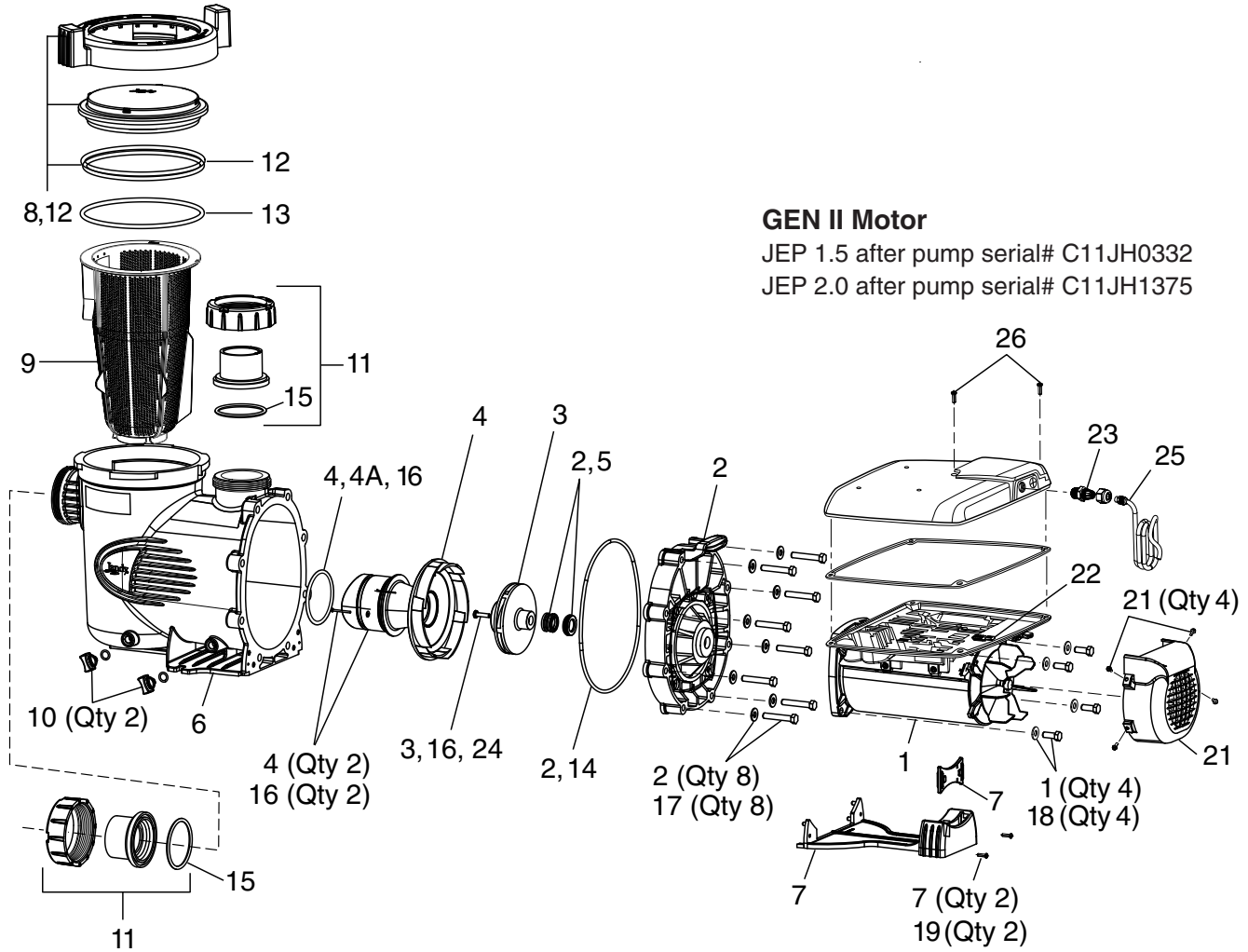
ePump™ (JEP) Variable Speed Pump

Key No.	Part No.	Description	Size (HP)	Qty.
1	R0562201	Motor w/ Drive, ePump Series (Gen II)	2.0	1
1	R0562202	Motor w/ Drive, ePump Series (Gen II)	1.5	1
1	R0474403	Motor w/ Drive, ePump Series (Gen I) Superseded By R0562201	2.0	1
1	R0474402	Motor w/ Drive, ePump Series (Gen I) Superseded By R0562202	1.5	1
2	R0445200	Backplate, JEP Mechanical Seal, Carbon Mechanical Seal, Ceramic O-ring Bolts Washers	All	1 1 1 8 8
3	R0445305	Impeller, Assembly, SHP, PHP, JEP	2.0	1
3	R0445304	Impeller, Assembly, SHP, PHP, JEP	1.5	1
4	R0445400	Diffuser w/ O-ring and Hardware	All	1
4A	R0622000	Diffuser w/ O-ring	All	1
5	R0479400	Mechanical Seal, Carbon Mechanical Seal, Ceramic	All	1 1
6	R0445601	Body, Pump JEP	All	1
7	R0445700	Motor Mounting Foot Assembly, SHP/JEP Screws	All	1 2
8	R0445800	Locking Ring Lid O-ring	All	1 1 1
9	R0445900	Filter Basket	All	1
10	R0446000	Plug, Drain O-ring	All	2 2
11	R0446101	Tail Piece (2" x 2½") Coupling Nut O-ring	1.5 2.0	2 2 2
12	R0446200	Seal, Lid	All	1
13	R0479000	Blue Pressure O-ring	All	1
14	R0446300	O-ring, Backplate	All	1

Key No.	Part No.	Description	Size (HP)	Qty.
15	R0446400	O-ring, Tail Piece (Set of 2)	All	2
16	R0446500	Diffuser/Impeller Hardware Screw w/ O-ring, Self-sealing, Impeller Mounting Screw, Diffuser Mounting Washer, Diffuser Mounting O-ring, Diffuser	All	1 2 2 2
17	R0446600	Backplate Hardware Bolts Washers	All	8 8
18	R0446700	Motor Hardware Bolts Washers	All	4 4
19	R0446800	Screws, Motor Mounting Foot	All	2
21	R0562400	Fan Cover w/ Hardware, JEP Series (Gen II)	All	Kit
22	6609+	Connector (4-pin), Speed Drive, (Gen II)	All	1
23	R0501100	Data Cable Bulkhead Fitting	All	1
24	R0515400	Screw w/ O-ring, Self-sealing	All	1
25	R0535100	Cable, RS485	All	1
26	R0562600	Screw, Electric Box	All	1
Gen I Motor				
27	R0475000	Cover Speed Drive (w/ Cover and Hardware), JEP (Gen I)	All	Kit
28	R0474800	Fan, JEP Series (Gen I)	All	Kit
29	R0475100	Hardware Speed Drive, JEP Series (Gen I)	All	Kit
30	R0660900	Connector (4-pin), Speed Drive, (Gen I)	All	1
ePump Remote Controller				
N/S	R3009601	User Interface, Remote Mounting, Replacement Kit	All	1
N/S	R0472300	Gasket, User Interface	All	1

ePump™ Variable Speed Pump (Mfg. 2008–Present)

JEP1.5, JEP2.0, VSSHP

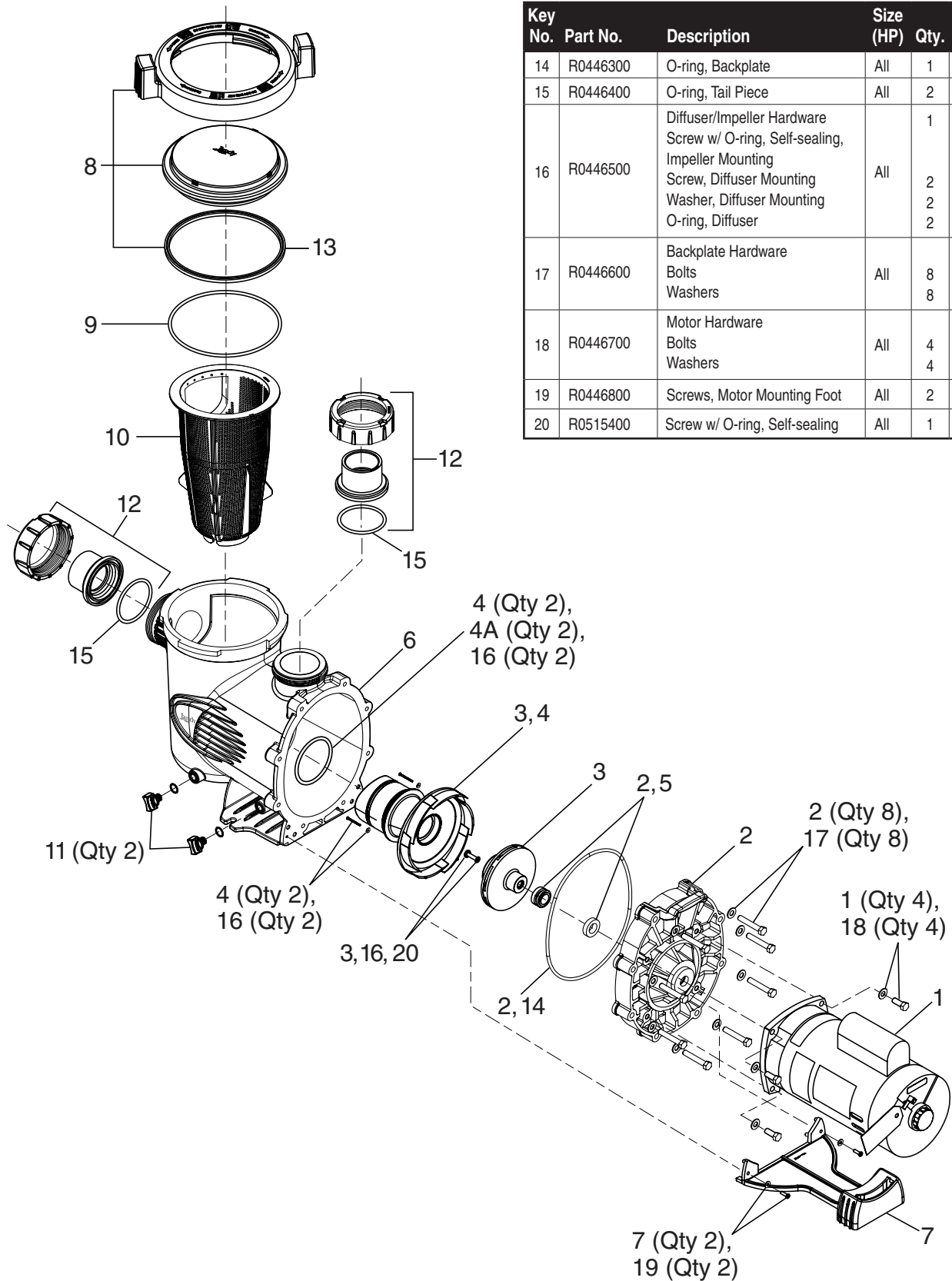


Stealth™ (SHPF/SHPM) Series Pump

Key No.	Part No.	Description	Size (HP)	Qty.
1	R0445114	Motor, single-speed SHPF	.5	1
1	R0445101	Motor, single-speed SHPF	.75	1
1	R0445102	Motor, single-speed SHPF	1.0	1
1	R0445103	Motor, single-speed SHPF	1.5	1
1	R0445104	Motor, single-speed SHPF	2.0	1
1	R0445105	Motor, single-speed SHPF	3.0	1
1	R0490200	Motor, single-speed SHPF	5.0	1
1	R0479301	Motor, single speed SHPM	.75	1
1	R0479302	Motor, single-speed SHPM	1.0	1
1	R0479303	Motor, single-speed SHPM	1.5	1
1	R0479304	Motor, single-speed SHPM	2.0	1
1	R0479305	Motor, single-speed SHPM	2.5	1
1	R0479307	Motor, 2-speed SHPM	1.5	1
1	R0479308	Motor, 2-speed SHPM	2.0	1
1	R0479309	Motor, 2-speed SHPM	2.5	1
1	R0479101	Motor, single-speed, SHPF, 3 Phase	1.0	1
1	R0479102	Motor, single-speed, SHPF, 3 Phase	1.5	1
1	R0479103	Motor, single-speed, SHPF, 3 Phase	2.0	1
1	R0479104	Motor, single-speed, SHPF, 3 Phase	3.0	1
1	R0445113	Motor, 2-speed, SHPF	1.0	1
1	R0445106	Motor, 2-speed, SHPF	1.5	1
1	R0445107	Motor, 2-speed, SHPF	2.0	1
2	R0445200	Backplate, SHPF/SHPM Mechanical Seal, Carbon Mechanical Seal, Ceramic O-ring Bolts Washers	.5 – 3.0	1 1 1 8 8
2	R0445201	Backplate, SHPF/SHPM Mechanical Seal, Carbon Mechanical Seal, Ceramic O-ring Bolts Washers	5.0	1 1 1 8 8
3	R0445301	Impeller and Diffuser w/ Screw and O-ring, SHPF	.50	1
3	R0445302	Impeller and Diffuser w/ Screw and O-ring, SHPF	.75	1
3	R0445303	Impeller and Diffuser w/ Screw and O-ring, SHPF	1.0	1
3	R0445304	Impeller and Diffuser w/ Screw and O-ring, SHPF	1.5	1
3	R0445305	Impeller and Diffuser w/ Screw and O-ring, SHPF	2.0	1
3	R0445306	Impeller and Diffuser w/ Screw and O-ring, SHPF	3.0	1
3	R0445307	Impeller and Diffuser w/ Screw and O-ring, SHPF	5.0	1

Key No.	Part No.	Description	Size (HP)	Qty.
3	R0445301	Impeller and Diffuser w/ Screw and O-ring, SHPM	.75	1
3	R0445302	Impeller and Diffuser w/ Screw and O-ring, SHPM	1.0	1
3	R0445303	Impeller and Diffuser w/ Screw and O-ring, SHPM	1.5	1
3	R0445304	Impeller and Diffuser w/ Screw and O-ring, SHPM	2.0	1
3	R0445305	Impeller and Diffuser w/ Screw and O-ring, SHPM	2.5	1
3	R0445303	Impeller and Diffuser w/ Screw and O-ring, 2-speed, SHPF	1.0	1
3	R0445304	Impeller and Diffuser w/ Screw and O-ring, 2-speed, SHPF	1.5	1
3	R0445305	Impeller and Diffuser w/ Screw and O-ring, 2-speed, SHPF	2.0	1
3	R0445303	Impeller and Diffuser w/ Screw and O-ring, 2-speed, SHPM	1.5	1
3	R0445304	Impeller and Diffuser w/ Screw and O-ring, 2-speed SHPM	2.0	1
3	R0445305	Impeller and Diffuser w/ Screw and O-ring, 2-speed SHPM	2.5	1
4	R0445400	Diffuser Screw Washer O-ring	.5 – 3.0	1 2 2 2
4	R0445401	Diffuser Screw Washer O-ring	5.0	1 2 2 2
4A	R0622000	Diffuser O-ring	All	1
5	R0479400	Mechanical Shaft Seal, New Style, Carbon and Ceramic (Serial # P08FF0001 and later)	All	1 1
5	R0445500	Mechanical Shaft Seal, Old Style, Carbon and Ceramic	All	1 1
6	R0445601	Body, Pump, SHPF/SHPM	All	1
7	R0445700	Motor Mounting Foot Assembly, SHPF/SHPM Screws	All	1 2
8	R0445800	Locking Ring Lid Seal	All	1 1 1
9	R0479000	Blue Pressure Test O-ring	All	1
10	R0445900	Filter Basket	All	1
11	R0446000	Plug, Drain O-ring	All	2 2
12	R0446101	Tail Piece (2" x 2½") Coupling Nut O-ring	.50 .75 2.5	2 2 2
12	R0446102	Tail Piece (2½" x 3") Coupling Nut O-ring	3.0 5.0	2 2 2
13	R0446200	Seal, Lid, and O-ring, (Lid O-ring not Shown)	All	1

Stealth™ Series Pump (Mfg. 2008–Present) SHPF/SHPM



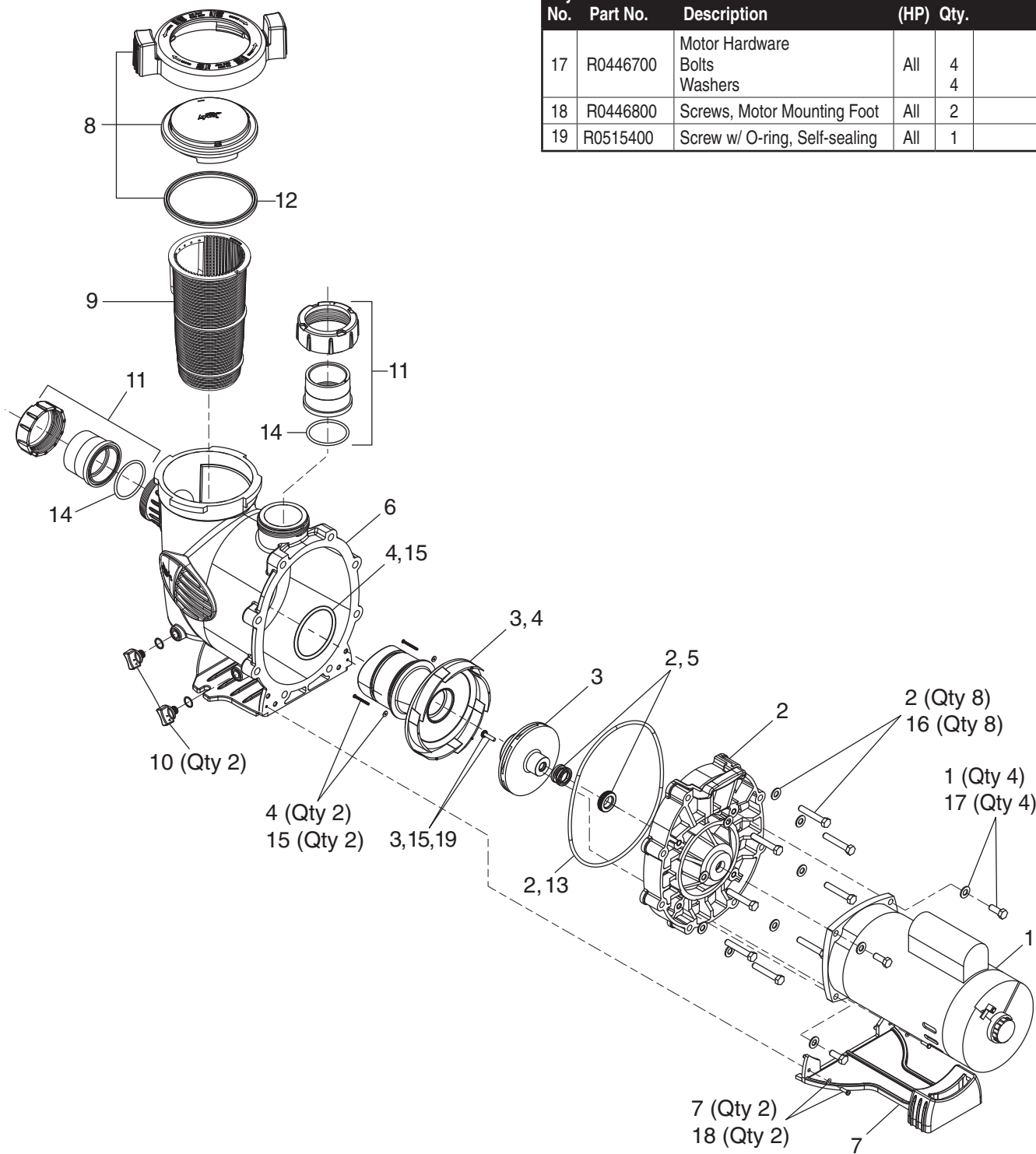
Key No.	Part No.	Description	Size (HP)	Qty.
14	R0446300	O-ring, Backplate	All	1
15	R0446400	O-ring, Tail Piece	All	2
16	R0446500	Diffuser/Impeller Hardware Screw w/ O-ring, Self-sealing, Impeller Mounting Screw, Diffuser Mounting Washer, Diffuser Mounting O-ring, Diffuser	All	1 2 2 2
17	R0446600	Backplate Hardware Bolts Washers	All	8 8
18	R0446700	Motor Hardware Bolts Washers	All	4 4
19	R0446800	Screws, Motor Mounting Foot	All	2
20	R0515400	Screw w/ O-ring, Self-sealing	All	1

PlusHP (PHPF/PHPM) Series Pump

Key No.	Part No.	Description	Size (HP)		Qty.
1	R0445108	Motor, single-speed and Hardware, PHPF	.50	1	
1	R0445109	Motor, single-speed and Hardware, PHPF	.75	1	
1	R0445110	Motor, single-speed and Hardware, PHPF	1.0	1	
1	R0445111	Motor, single-speed and Hardware, PHPF	1.5	1	
1	R0445112	Motor, single-speed and Hardware, PHPF	2.0	1	
1	R0479310	Motor, single-speed and Hardware, PHPM	.75	1	
1	R0479311	Motor, single-speed and Hardware, PHPM	1.0	1	
1	R0479312	Motor, single-speed and Hardware, PHPM	1.5	1	
1	R0479313	Motor, single-speed and Hardware, PHPM	2.0	1	
1	R0479314	Motor, single-speed and Hardware, PHPM	2.5	1	
1	R0479307	Motor, 2-speed and Hardware, PHPM	1.5	1	
1	R0479308	Motor, 2-speed and Hardware, PHPM	2.0	1	
1	R0479309	Motor, 2-speed and Hardware, PHPM	2.5	1	
1	R0479307	Motor, 2-speed and Hardware, PHPF	1.0	1	
1	R0479308	Motor, 2-speed and Hardware, PHPF	1.5	1	
1	R0479309	Motor, 2-speed and Hardware, PHPF	2.0	1	
2	R0445200	Backplate, PHPF/PHPM Mechanical Seal, Carbon Mechanical Seal, Ceramic O-ring Bolts Washers	All	1 1 1 8 8	
3	R0445301	Impeller and Diffuser w/ Screw and O-ring, PHPF	.50	1	
3	R0445302	Impeller and Diffuser w/ Screw and O-ring, PHPF	.75	1	
3	R0445303	Impeller and Diffuser w/ Screw and O-ring, PHPF	1.0	1	
3	R0445304	Impeller and Diffuser w/ Screw and O-ring, PHPF	1.5	1	
3	R0445305	Impeller and Diffuser w/ Screw and O-ring, PHPF	2.0	1	
3	R0445301	Impeller and Diffuser w/ Screw and O-ring, PHPM	.75	1	
3	R0445302	Impeller and Diffuser w/ Screw and O-ring, PHPM	1.0	1	
3	R0445303	Impeller and Diffuser w/ Screw and O-ring, PHPM	1.5	1	

Key No.	Part No.	Description	Size (HP)		Qty.
3	R0445304	Impeller and Diffuser w/ Screw and O-ring, PHPM	2.0	1	
3	R0445305	Impeller and Diffuser w/ Screw and O-ring, PHPM	2.5	1	
3	R0445303	Impeller and Diffuser w/ Screw and O-ring, 2-speed, PHPF	1.0	1	
3	R0445304	Impeller and Diffuser w/ Screw and O-ring, 2-speed, PHPF	1.5	1	
3	R0445305	Impeller and Diffuser w/ Screw and O-ring, 2-speed, PHPF	2.0	1	
3	R0445303	Impeller and Diffuser w/ Screw and O-ring, 2-speed PHPM	1.5	1	
3	R0445304	Impeller and Diffuser w/ Screw and O-ring, 2-speed PHPM	2.0	1	
3	R0445305	Impeller and Diffuser w/ Screw and O-ring, 2-speed, PHPM	2.5	1	
4	R0445400	Diffuser Screw Washer O-ring	All	1 2 2 2	
5	R0479400	Mechanical Shaft Seal, New Style, Carbon and Ceramic (Serial # P08FF0001 and later)	All	1 1	
5	R0445500	Mechanical Shaft Seal, Old Style, Carbon and Ceramic	All	1 1	
6	R0448700	Body, Pump, PHPF/PHPM	All	1	
7	R0445700	Motor Mounting Foot Assembly, PHPF/PHPM Screws	All	1 2	
8	R0448800	Locking Ring Lid Lid Seal	All	1 1 1	
9	R0448900	Filter Basket	All	1	
10	R0446000	Plug, Drain O-ring	All	2 2	
11	R0449000	Tail Piece (2" x 2½") Coupling Nut O-ring	All	2 2 2	
12	R0449100	Lid Seal w/ O-ring	All	1	
13	R0446300	O-ring, Backplate	All	1	
14	R0449200	O-ring, Tail Piece	All	2	
15	R0446500	Diffuser/Impeller Hardware Screw w/ O-ring, Self-sealing, Impeller Mounting Screw, Diffuser Mounting Washer, Diffuser Mounting O-ring, Diffuser	All	1 2 2 1 2	
16	R0446600	Backplate Hardware Bolts Washers	All	8 8	

PlusHP Series Pump (Mfg. 2006–Present) PHPF/PHPM



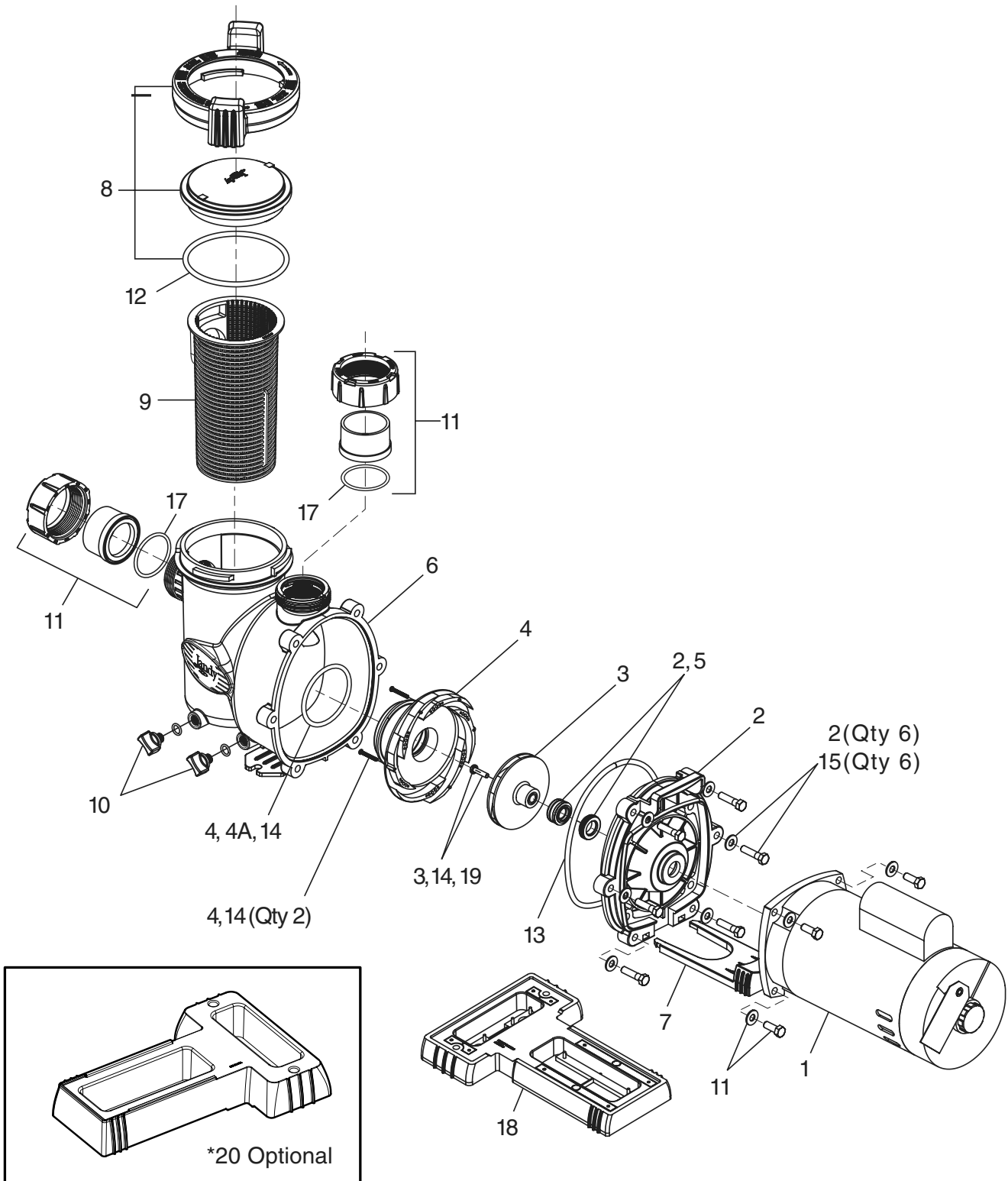
Key No.	Part No.	Description	Size (HP)	Qty.
17	R0446700	Motor Hardware Bolts Washers	All	4 4
18	R0446800	Screws, Motor Mounting Foot	All	2
19	R0515400	Screw w/ O-ring, Self-sealing	All	1

FloPro™ (FHPM) Series Pump

Key No.	Part No.	Description	Size (HP)	Qty.
1	R0479310	Single-speed Motor and Hardware, FHP	0.75	1
1	R0479311	Single-speed Motor and Hardware, FHP	1.0	1
1	R0479312	Single-speed Motor and Hardware, FHP	1.5	1
1	R0479313	Single-speed Motor and Hardware, FHP	2.0	1
1	R0479314	Single-speed Motor and Hardware, FHP	2.5	1
1	R0479306	2-Speed Motor and Hardware, FHP	1.0	1
1	R0479307	2-Speed Motor and Hardware, FHP	1.5	1
1	R0479308	2-Speed Motor and Hardware, FHP	2.0	1
2	R0479500	Backplate Mechanical Seal, Carbon Mechanical Seal, Ceramic Backplate O-ring, 2-375 Bolt Washer	All	1 1 1 1 6 6
3	R0479601	Impeller, FHP Screw w/ O-ring Backplate O-ring	0.75	1 1
3	R0479602	Impeller, FHP Screw w/ O-ring Backplate O-ring	1.0 1.0-2	1 1 1
3	R0479603	Impeller, FHP Screw w/ O-ring Backplate O-ring	1.5 1.5-2	1 1 1
3	R0479604	Impeller, FHP Screw w/ O-ring Backplate O-ring	2.0 2.0-2	1 1 1
3	R0479605	Impeller, FHP Screw w/ O-ring Backplate O-ring	2.5	1 1 1
4	R0479702	Diffuser, FHP Diffuser O-ring Backplate O-ring Screw	.75 1.0 1.0-2	1 1 1 2

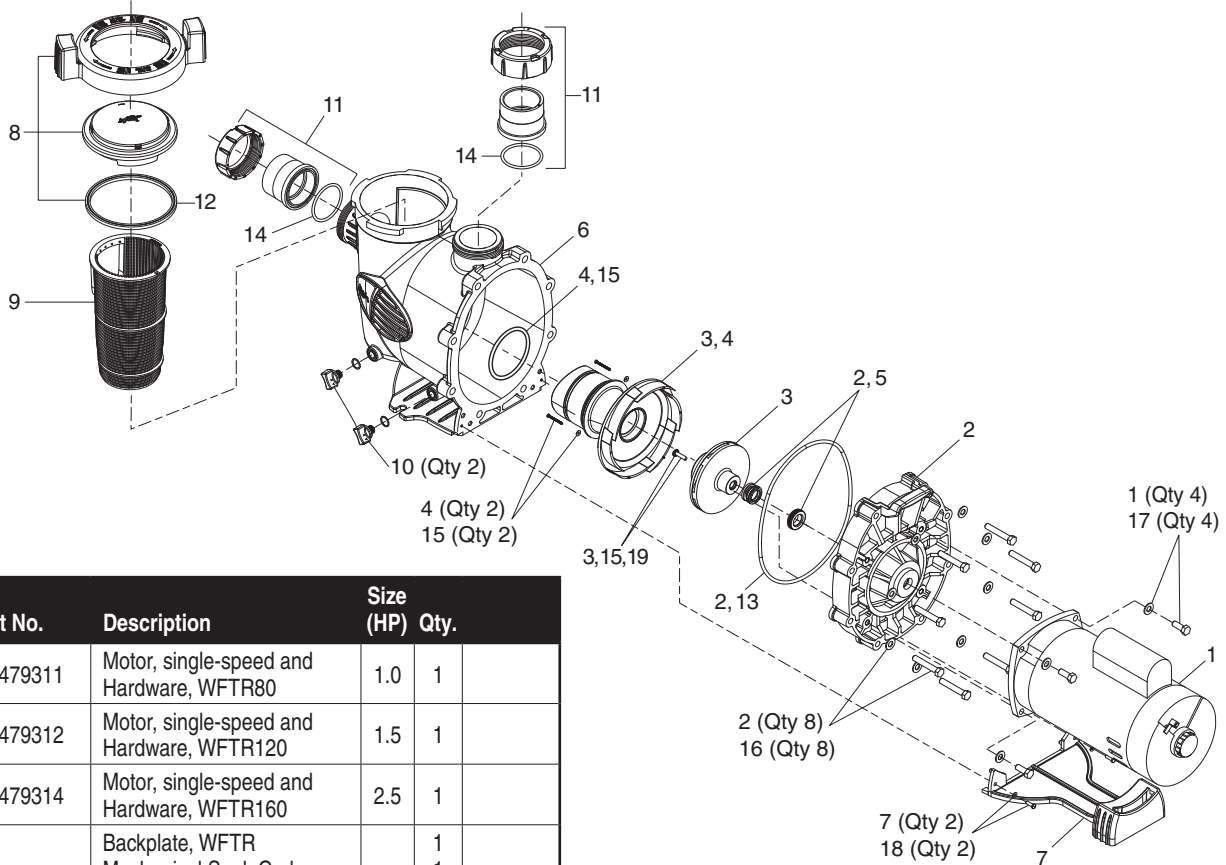
Key No.	Part No.	Description	Size (HP)	Qty.
4	R0479701	Diffuser, FHP Diffuser O-ring Backplate O-ring Screw	1.5 1.5-2 2.0 2.0-2 2.5	1 1 1 2
4A	R0622000	Diffuser O-Ring	All	1
5	R0479400	Mechanical Seal, Carbon Mechanical Seal, Ceramic	All	1 1
6	R0479800	Pump Body, FHP	All	1
7	R0479900	Motor Mounting Foot, FHP	All	1
8	R0480000	Lid w/ Locking Ring Assembly, FHP Lid O-ring	All	1 1
9	R0480100	Pump Debris Trap Basket, FHP	All	1
10	R0446000	Drain Plug Drain Plug O-ring	All	2 2
11	R0327301	2" x 2" Tailpiece Tailpiece O-ring Union Nut Kit	All	2 2 2
12	R0480200	Lid O-ring, FHP	All	1
13	R0480300	Backplate O-ring, FHP	All	1
14	R0480400	Diffuser Backplate O-ring, 2-375 Screw w/ O-ring Screw 4-40 x 1.375"	All	1 1 1 2
15	R0480500	Backplate O-ring Bolt, 3/8 x 16 x 2.25" Washer	All	1 6 6
16	R0446700	Bolt, 3/8 x 16 x 1" Washer	All	4 4
17	R0337600	Tailpiece O-ring	All	2
18	R0486700	Base Spacer, FHP, VS-FHP, Small	All	1
19	R0515400	Screw w/ O-ring, Self-sealing	All	1
20	R0546400	Base Spacer, FHP, VS-FHP, Large		

FloPro™ Series Pump (Mfg. 2008–Present) FHPM



WaterFeature Series Pump (Mfg. 2008–Present)

WFTR

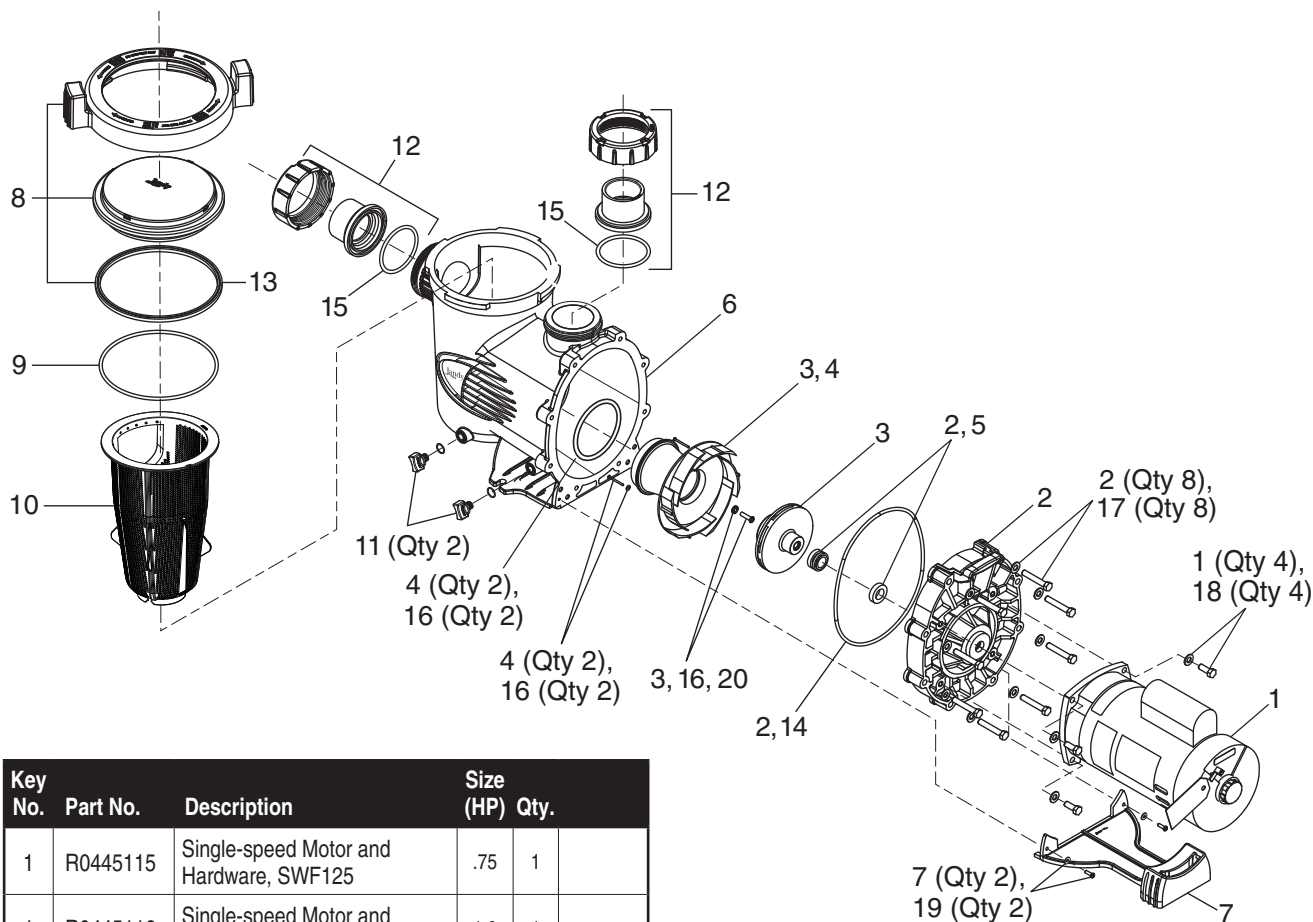


Key No.	Part No.	Description	Size (HP)	Qty.
1	R0479311	Motor, single-speed and Hardware, WFTR80	1.0	1
1	R0479312	Motor, single-speed and Hardware, WFTR120	1.5	1
1	R0479314	Motor, single-speed and Hardware, WFTR160	2.5	1
2	R0445200	Backplate, WFTR	All	1
		Mechanical Seal, Carbon	All	1
		Mechanical Seal, Ceramic	All	1
		O-ring	All	8
		Bolts	All	8
3	R0449502	Impeller and Diffuser w/ Screw and O-ring, WFTR	1.0	1
		Impeller and Diffuser w/ Screw and O-ring, WFTR	1.5	1
3	R0449505	Impeller and Diffuser w/ Screw and O-ring, WFTR	2.5	1
4	R0445400	Diffuser	All	1
		Screw	All	2
		Washer	All	2
		O-ring	All	2
5	R0479400	Mechanical Seal, Carbon Mechanical Seal, Ceramic	All	1 1
6	R0448701	Body, Pump, WFTR	All	1
7	R0445700	Motor Mounting Foot	All	1
		Assembly, WFTR	All	2
8	R0448800	Locking Ring	All	1
		Lid	All	1
9	R0448900	O-ring	All	1
		Filter Basket	All	1
10	R0446000	Plug, Drain	All	2
		O-ring	All	2

Key No.	Part No.	Description	Size (HP)	Qty.
11	R0449000	Tailpiece (2" x 2½")	All	2
		Coupling Nut	All	2
		O-ring	All	2
12	R0449100	Lid Seal w/ O-ring (Lid O-ring Not Shown)	All	1
13	R0446300	O-ring, Backplate	All	1
14	R0449200	O-ring, Tailpiece	All	2
15	R0446500	Diffuser/Impeller Hardware	All	1
		Screw w/ O-ring, Self-sealing, Impeller Mounting	All	2
		Screw, Diffuser Mounting	All	2
		Washer, Diffuser Mounting	All	2
16	R0446600	Backplate Hardware	All	8
		Bolts	All	8
17	R0446700	Washers	All	8
		Motor Hardware	All	4
18	R0446800	Bolts	All	4
		Washers	All	4
19	R0515400	Screws, Motor Mounting Foot	All	2
19	R0515400	Screw w/ O-ring, Self-sealing	All	1

WaterFall Series Pump (Mfg. 2009–Present)

SWF



Key No.	Part No.	Description	Size (HP)	Qty.
1	R0445115	Single-speed Motor and Hardware, SWF125	.75	1
1	R0445116	Single-speed Motor and Hardware, SWF185	1.0	1
2	R0445200	Backplate Kit w/ Hardware, O-ring and Mech Seals, SHPF/SHPM/SWF	All	1
3	R0445307	Impeller and Diffuser w/ Screw and O-ring, SWF 125	.75	1
3	R0445308	Impeller and Diffuser w/ Screw and O-ring, SWF 185	1.0	1
4	R0445401	Diffuser w/ O-ring and Hardware, SWF125, SWF185, SHPF	All	1
5	R0479400	Mechanical Shaft Seal (1 Set) (Carbon and Ceramic)	All	1
6	R0445601	Body, Pump, SHPF/SHPM/SWF	All	1
7	R0445700	Motor Mounting Foot Assembly w/ Screws, SHPF/SHPM/SWF	All	1
8	R0445800	Lid w/ Locking Ring & Seal	All	1
9	R0479000	Blue Pressure Test O-ring	All	1
10	R0445900	Pump Debris Filter Basket	All	1
11	R0446000	Drain Plug w/ O-ring, 2/PK	All	2

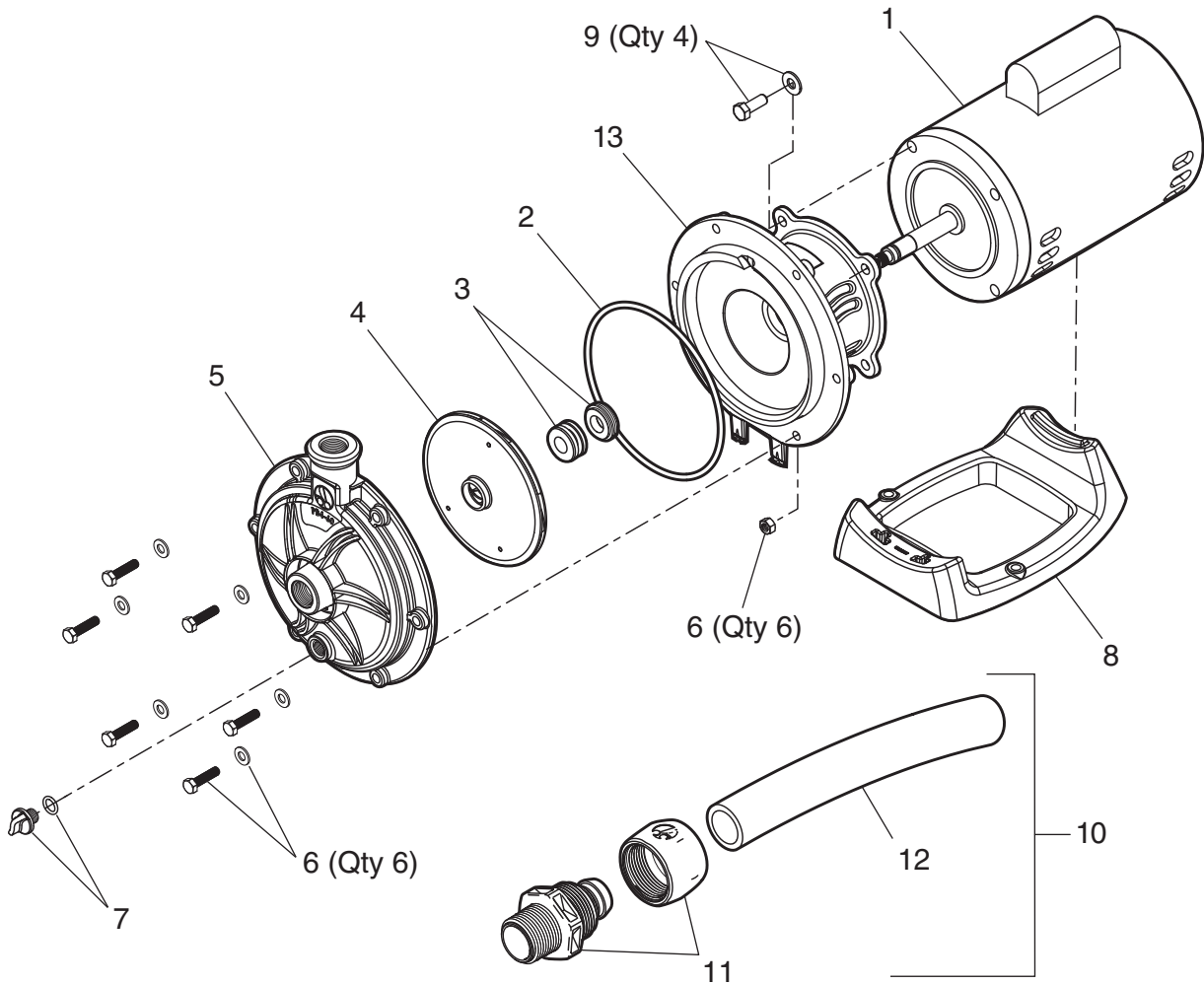
Key No.	Part No.	Description	Size (HP)	Qty.
12	R0446102	Tail Piece (2½" x 3") w/ O-ring and Coupling Nut, 2/PK	All	2
13	R0446200	Lid Seal and Lid O-ring (Lid O-ring Not Shown)	All	1
14	R0446300	O-ring, Backplate	All	1
15	R0446400	O-ring, Tail Piece, 2/PK	All	2
16	R0446500	Hardware, Diffuser/Impeller	All	1
17	R0446600	Backplate Bolts and Washers, 8/PK	All	8
18	R0446700	Motor Bolts and Washers, 4/PK	All	4
19	R0446800	Screws, Motor Mounting Foot	All	1
20	R0515400	Screw w/ O-ring, Self-sealing	All	1

Polaris® Booster Pump with 60 Hz Motor (Mfg. 2011–Present)

Part# PB4-60 For PB4-60's after serial number PB120111001

Key No.	Part No.	Description	Qty.
1	P61	Motor, 3/4 HP, Threaded Shaft, 60 Hz	1
2	R0536600	O-Ring, Backplate, PB4-60	1
3	R0445500	Seal, Ceramic and Spring	1
4	R0536400	Impeller, PB4-60	1
5	R0536300	Volute, PB4-60 (Includes Drain Plug with O-Ring)	1
6	R0536900	Bolts w/ Washers and Nuts	6
7	R0537000	Drain Plug w/ O-Ring, Common	1
8	R0537100	Base, Booster, PB4-60	1

Key No.	Part No.	Description	Qty.
9	R0536800	Bolts and Washers, Stainless, Motor, PB4-60	4
10	R0617100	Quick Connect Install Kit	1
11	P19	Pump Hose 6 ft. Reinforced	1
12	R0621000	Quick Connect Fittings	4
13	R0536700	Backplate, PB4-60	1

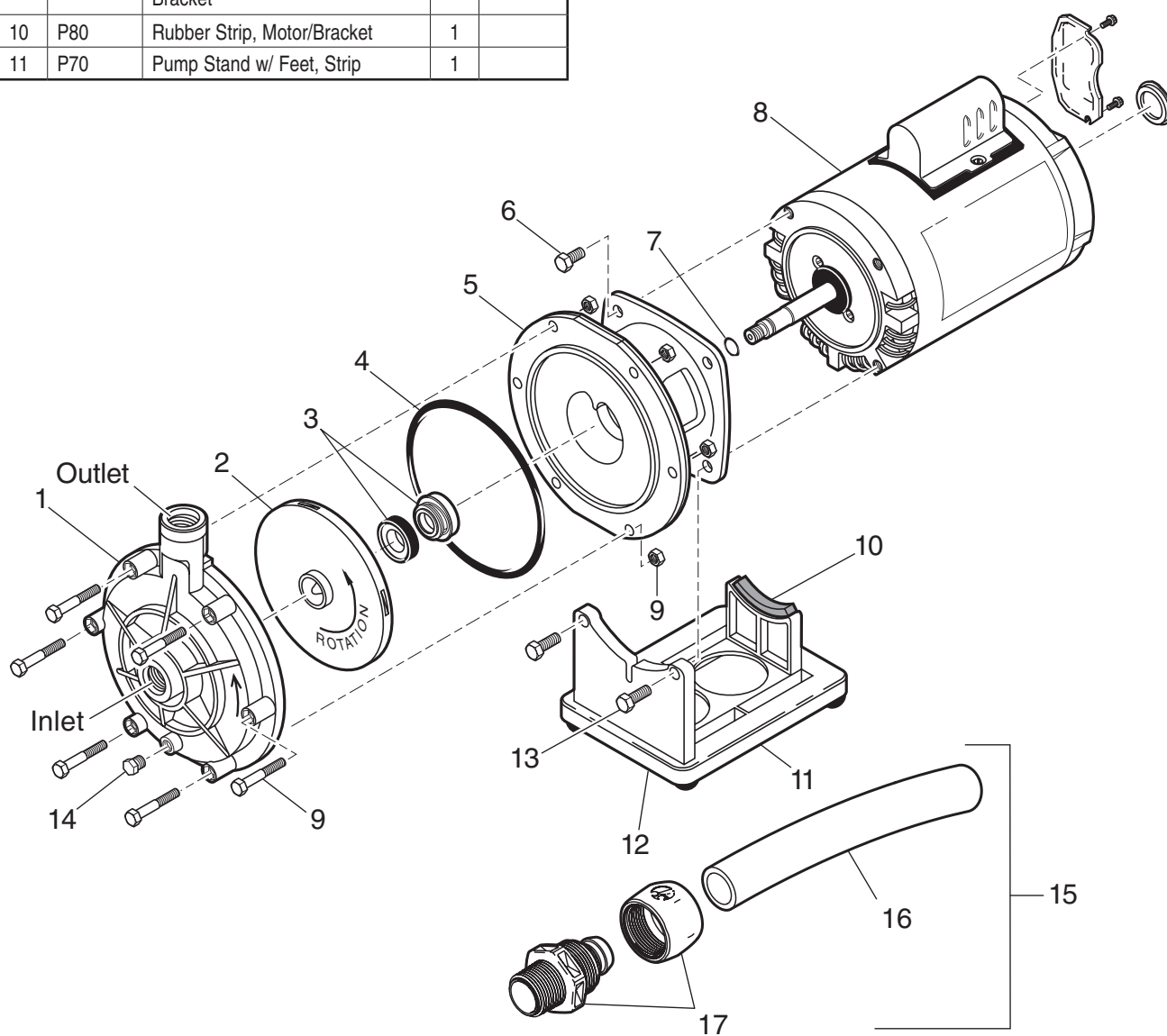


Polaris® Booster Pump with 60 Hz Motor

Part# PB4-60 For PB4-60's prior to serial number M120111001

Key No.	Part No.	Description	Qty.
1	P5	Volute (Includes Drain Plug)	1
2	P15*	Impeller	1
3	P55	Seal, Stainless Steel Cup/Spring	1
4	P95*	O-ring, Bracket	1
5	P10	Bracket	1
6	P35	Bolt, Stainless, Bracket to Motor	2
7	P40	O-ring for Shaft	1
8	P61*	Motor, ¾ HP, Threaded Shaft, 60 Hz	1
9	P25	Bolt/Nut, Stainless for Volute to Bracket	6
10	P80	Rubber Strip, Motor/Bracket	1
11	P70	Pump Stand w/ Feet, Strip	1

Key No.	Part No.	Description	Qty.
12	P75	Rubber Feet	4
13	P65	Bolt, SS, Stand to Bracket and Motor	1
14	P20	¼" NPTM Plug, Plastic	2
15	R0617100	Quick Connect Install Kit	1
16	P19	Pump Hose 6 ft. Reinforced	1
17	R0621000	Quick Connect Fittings	4
N/S	R0617025	Polaris Polaris Softube Quick Connects, 25 Packs of 4	100

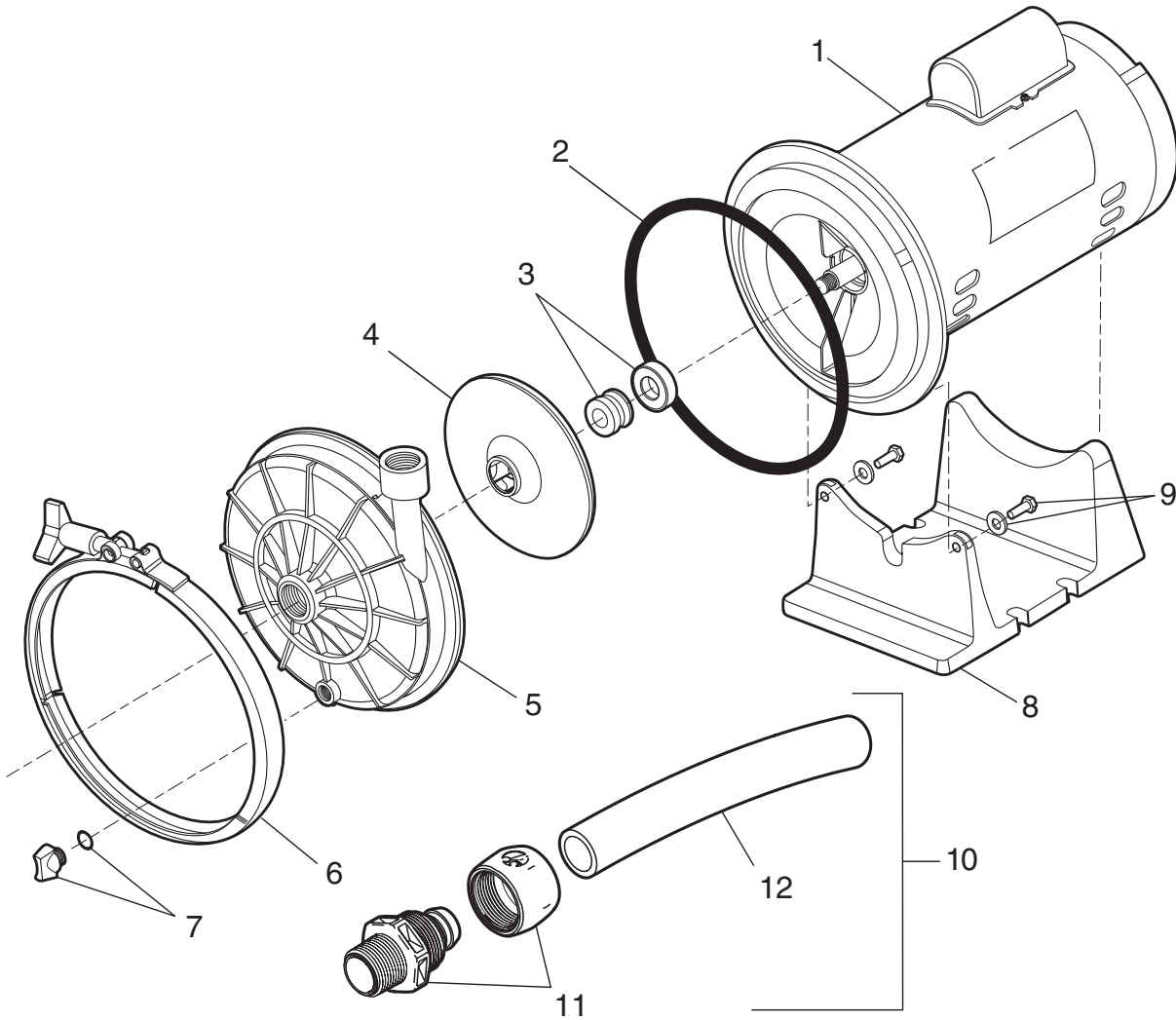


Polaris® Halcyon® Booster Pump with Quiet 60 Hz Motor (Discontinued)

Part# PB4-60Q

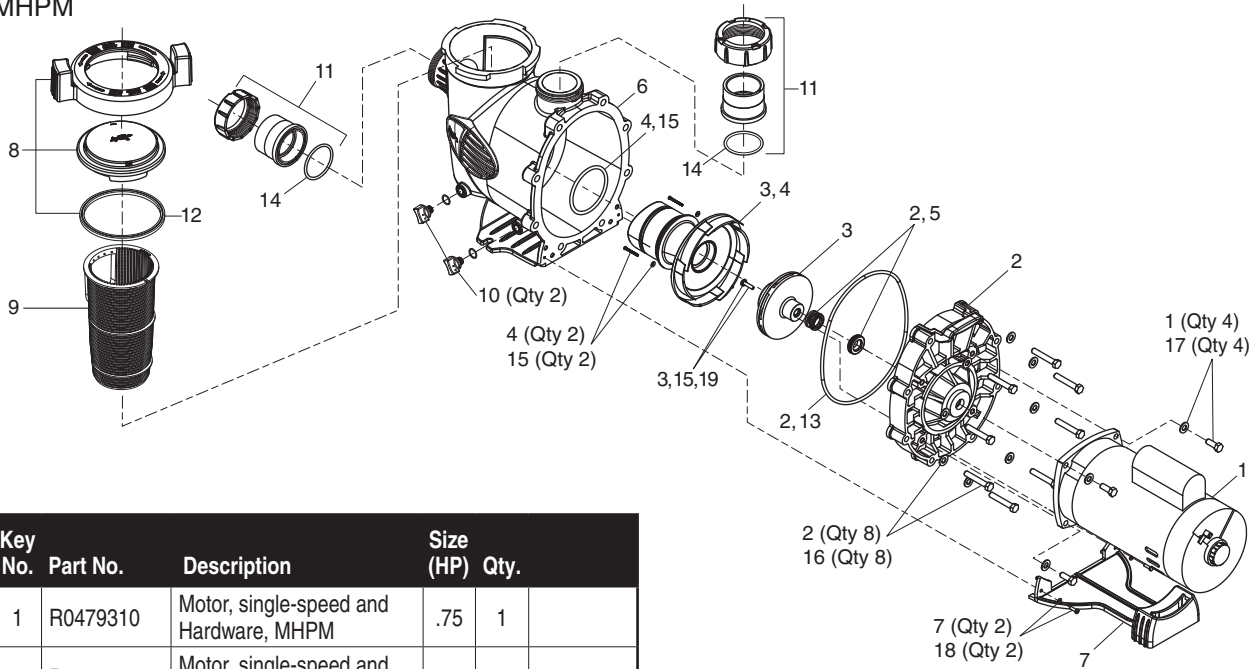
Key No.	Part No.	Description	Qty.
1	P64	¾ HP Motor–Seal Plate Assembly	1
2	P85	O-ring, Seal Plate	1
3	P84	Seal, Ceramic/Spring	1
4	P16	Impeller, 60 Hz	1
5	P82	Volute (Includes Drain Plug w/ O-ring)	1
6	P87	Band Clamp	1
7	P88	½"-20 UNF Drain Plug w/ O-ring	1
8	P86	Pump Stand	1

Key No.	Part No.	Description	Qty.
9	P91	¼-20 x .75" Bolt w/ Washer	2
10	R0617100	Quick Connect Install Kit	1
11	R0621000	Quick Connect Fittings	4
12	P19	Pump Hose 6 ft. Reinforced	1
N/S	R0617025	Polaris Softube® Quick Connects, 25 Packs of 4	100



Jandy® MaxHP Series Pump (Mfg. 2006–2010, Discontinued)

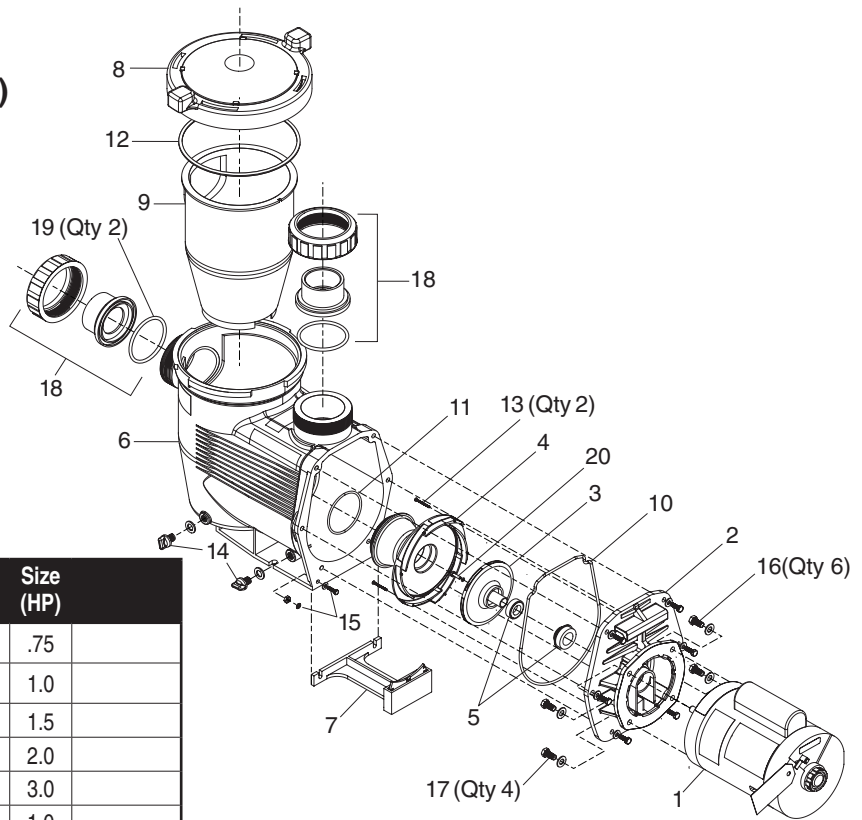
MHPM



Key No.	Part No.	Description	Size (HP)	Qty.
1	R0479310	Motor, single-speed and Hardware, MHPM	.75	1
1	R0479311	Motor, single-speed and Hardware, MHPM	1.0	1
1	R0479312	Motor, single-speed and Hardware, MHPM	1.5	1
1	R0479313	Motor, single-speed and Hardware, MHPM	2.0	1
1	R0479314	Motor, single-speed and Hardware, MHPM	2.5	1
2	R0445200	Backplate, MHPM		1
		Mechanical Seal, Carbon		1
		Mechanical Seal, Ceramic		1
		O-ring	All	1
		Bolts		8
		Washers		8
3	R0449501	Impeller/Diffuser, Screw w/ O-ring, MHPM	.75	1
		Impeller/Diffuser, Screw w/ O-ring, MHPM	1.0	1
		Impeller/Diffuser, Screw w/ O-ring, MHPM	1.5	1
		Impeller/Diffuser, Screw w/ O-ring, MHPM	2.0	1
		Impeller/Diffuser, Screw w/ O-ring, MHPM	2.5	1
4	R0445400	Diffuser		1
		Screw	All	2
		Washer		2
5	R0479400	Mechanical Seal, Carbon		1
		Mechanical Seal, Ceramic		1
6	R0448701	Body, Pump, MHPM	All	1
7	R0445700	Motor Mounting Foot Assembly, MHPM		1
		Screws	All	2

Key No.	Part No.	Description	Size (HP)	Qty.
8	R0448800	Locking Ring	All	1
		Lid Seal		1
9	R0448900	Filter Basket	All	1
10	R0446000	Plug, Drain	All	2
		O-ring		2
11	R0449000	Tail Piece (2" x 2½")	All	2
		Coupling Nut		2
		O-ring		2
12	R0449100	Lid Seal w/ O-ring (Lid O-ring not shown)	All	1
13	R0446300	O-ring, Backplate	All	1
14	R0449200	O-ring, Tail Piece	All	2
15	R0446500	Diffuser/Impeller Hardware		1
		Screw w/ O-ring, Self-sealing, Impeller Mounting	All	2
		Screw, Diffuser Mounting		2
		Washer, Diffuser Mounting		2
		O-ring, Diffuser		2
16	R0446600	Backplate Hardware		
		Bolts	All	8
		Washers		8
17	R0446700	Motor Hardware		
		Bolts	All	4
		Washers		4
18	R0446800	Screws, Motor Mounting Foot	All	2

Jandy® JHP and JHPU Pump (Mfg. 2002–2008, Discontinued)



Key No.	Part No.	Description	Size (HP)
1	R0556101	Motor, single-speed JHP/PHP	.75
1	R0556102	Motor, single-speed JHP/PHP	1.0
1	R0556103	Motor, single-speed JHP/PHP	1.5
1	R0556104	Motor, single-speed JHP/PHP	2.0
1	R0556105	Motor, single-speed JHP	3.0
1	R0556101	Motor, single-speed JHPU/PHPU	1.0
1	R0556102	Motor, single-speed JHPU/PHPU	1.5
1	R0556103	Motor, single-speed JHPU/PHPU	2.0
1	R0556104	Motor, single-speed JHPU/PHPU	2.5
1	R0556201	Motor, 2-speed JHPU/PHPU Series	2.0
1	R0556202	Motor, 2-speed JHPU/PHPU Series	2.5
2	R0556000	Mounting Bracket JHP/PHP Series	All
3	R0555801	Impeller, JHP/PHP	.75
3	R0555802	Impeller, JHP/PHP	1.0
3	R0555803	Impeller, JHP/PHP	1.5
3	R0555804	Impeller, JHP/PHP	2.0
3	R0555805	Impeller, JHP/PHP	3.0
3	R0555801	Impeller, JHPU/PHPU	1.0
3	R0555802	Impeller, JHPU/PHPU	1.5
3	R0555803	Impeller, JHPU/PHPU	2.0
3	R0555804	Impeller, JHPU/PHPU	2.5
3	R0555803	Impeller, 2-speed JHPU	2.0
3	R0555804	Impeller, 2-speed JHPU	2.5
4	R0555701	Diffuser w/ Cone and Cone O-ring Kit	.75-2.5
4	R0555705	Diffuser w/ Cone and Cone O-ring Kit JHP Series	3.0
5	R0338200	Mechanical Seal	All
6	R0555600	Body, Pump JHP Series	All
7	R0559200	Mounting Foot Assembly JHP/PHP Series	All

Key No.	Part No.	Description	Size (HP)
8	R0555300	Pot Lid w/ Clamp Ring JHP Series	All
9	R0555500	Pot Basket JHP Series	All
10	R0555900	Gasket, Body JHP Series	All
11	R0558701	O-ring, Diffuser JHP/PHP Series	All
12	R0555400	O-ring, Pot Lid JHP Series	All
13	R0555201	Hardware Set, Diffuser Mntg. JHP/PHP Series	.75 3.0
14	R0559500	Drain Plugs (2) JHP/PHP Series	All
15	R0339200	Hardware Set (2), Foot Mntg.	All
16	R0339300	Hardware Set (6), Bracket Mntg.	All
17	R0339400	Hardware Set (4) Motor Mntg.	All
18	R0556300	Coupling Nut Set (2-2½") JHP Series	.75 2.5
18	R0559900	Coupling Nut Set (2½-3") JHP Series	3.0
19	R0339600	O-ring, (2), Coupling Nut JHP Series	All
20	R0398800	Screw w/ O-ring, self-sealing, JHP Series	All
	R0443700	Gauge Adapter Kit (1 brass pump adapter and 1 thermoplastic filter adapter)	
	R0556500	O-ring Set, Complete (7) JHP/PHP Series	All
	R0556600	Hardware Set, Complete JHP/PHP Series	All

NOTE: All hardware sets contain all pieces necessary for assembly.

FILTERS



Filters	61
Versa Plumb® Kits	64
Backwash Valves	65
Technical Information	68
Filter Parts	75
Backwash Valve Parts	82



CV Series Cartridge Filter

CV Series Cartridge Filters

- Designed with our exclusive Versa Plumb® system to easily connect with other Zodiac® products
- Extra-large 2" drain port allows for easy cleaning of debris
- Clean/dirty indicator on pressure gauge
- Heavy duty, anti-corrosion tank clamp and easy grip handles
- Corrosion and UV resistant, high impact extra large tank
- Includes 2" x 2½" universal unions
- Includes a Sweep Elbow (SEFL1002) to easily connect with the pump

Part No.	Description	Size
CV340	CV Cartridge Filter	340 Sq. Ft.
CV460	CV Cartridge Filter	460 Sq. Ft.
CV580	CV Cartridge Filter	580 Sq. Ft.



Versa Plumb System

CL Series Cartridge Filters

- Textured, easy-grip handles
- Clean/dirty indicator on pressure gauge
- Extra-large 2" drain port allows for easy cleaning of debris
- Heavy duty, anti-corrosion tank clamp
- Corrosion and UV resistant, high impact tank
- Includes 2" x 2½" universal unions



CL Series Cartridge Filter

Part No.	Description	Size
CL340	CL Cartridge Filter	340 Sq. Ft.
CL460	CL Cartridge Filter	460 Sq. Ft.
CL580	CL Cartridge Filter	580 Sq. Ft.



**DEV Series
Diatomaceous
Earth Filter**

DEV Series Diatomaceous Earth Filters

- Extra-large 2" drain port allows for easy cleaning of debris
- Textured, easy-grip handles
- Clean/dirty indicator on pressure gauge
- Heavy duty, anti-corrosion band clamp
- Designed to work with all Jandy® Pro Series Backwash Valves
- Corrosion and UV resistant, high impact extra large tank

Part No.	Description	Size
DEV48*	DEV Diatomaceous Earth Filter	48 Sq. Ft.
DEV60*	DEV Diatomaceous Earth Filter	60 Sq. Ft.

* DEV48 & DEV60 Supersedes DEL48 & DEL60



**CS Series
Cartridge Filter**

CS Series Cartridge Filters

- Designed with our exclusive Versa Plumb® system to easily connect with other Zodiac® products
- Ergonomic, easy grip handles for ease of service
- Compact body designed to easily fit in small areas
- Extra-large drain port allows for easy cleaning of debris
- High impact, corrosion and UV resistant, thermoplastic tank body
- Includes 2" x 2½" universal unions

Part No.	Description	Size
CS100	CS Cartridge Filter	100 Sq. Ft.
CS150	CS Cartridge Filter	150 Sq. Ft.
CS200	CS Cartridge Filter	200 Sq. Ft.
CS250	CS Cartridge Filter	250 Sq. Ft.





Side Mount Series Sand Filters

JS Sand Filters

- Versa Plumb® exclusive design
- Extra-large 2" drain port for ease of service
- Ergonomic lid handles
- Clean/dirty indicator on pressure gauge
- Three Backwash Valve kit options:
 - 2-in-1 Never Lube® Valve (BWVL-NVL)
 - Slide Valve (BWVL-SLD)
 - Multi-Port Valve (BWVL-MPV)

Part No.	Description	Size
JS60-SM	JS Filter Side Mount	24"
JS100-SM	JS Filter Side Mount	30"

SFTM Series Top Mount Sand Filters



SFTM Series Top Mount Sand Filters

- Blow molded construction
- 22" and 25" sizes available
- 7-Position dial valve with "Sight-Glass"
- Dial valve clamp allows 360° rotation for installation options
- Combination sand and water drain plug

Part No.	Description	Size
SFTM22	SFTM Sand Filter Top Mount / 1½" Valve	22"
SFTM25	SFTM Sand Filter Top Mount / 1½" Valve	25"

Filter Accessories

Part No.	Description
NSF SEAQL1001	AquaLink® Sweep Elbow — For use w/ RS Temp Sensor Qty. (1) — Available in case quantities of 24
NSF SEFL1002	Sweep Elbow with ½" plug



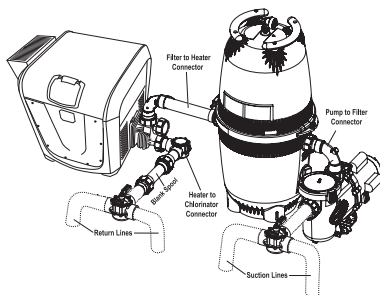
Versa Plumb Preassembled Kits

- Easy to install kits to ensure hydraulic efficiency and compact, consistent equipment set layout
- Saves time and labor costs. Each kit includes 3-Port Jandy® Valves
- VPK-CVSTD for the combination of a Jandy Pump, CV Filter and JXi™ or LXi™ Heater (includes two (2) 3-Port Valves, Part# 4717)
- VPK-CVSLR for the combination of a Jandy Pump, CV Filter and JXi or LXi Heater—with solar ready plumbing. (Includes three (3) 3-Port Valves, Part# 4717)

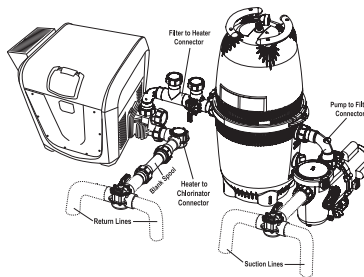
*This solar kit ensures compliance with the California Energy Commission's 2008 Building Energy Efficiency Standards (Title 24)

- VPK-CSSTD for the combination of a Jandy Pump, CS Filter and Heat Pump (includes two (2) 3-Port Valves, Part# 4717)

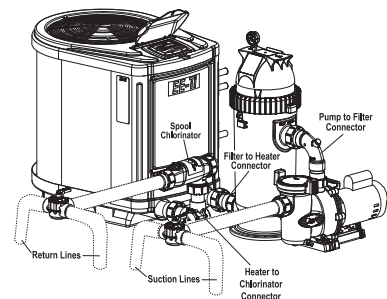
Part No.	Description
VPK-CVSTD	Kit for Jandy Pump, CV Filter & JXi or LXi Heater (For SHP, PHP and JEP Pump only)
VPK-CVSLR	Kit for Jandy Pump, CV Filter & JXi or LXi Heater—with Solar-Ready plumbing (For SHP, PHP and JEP Pump only)
VPK-CSSTD	Kit for Jandy Pump, CS Filter & Heat Pump (For FHP Pump only)



VPK-CVSTD



VPK-CVSLR



VPK-CSSTD



2-in-1 Backwash Valve

- Never Lube® technology
- No “dead-head” position
- CPVC high-temperature polymer
- One valve works for both sand and DE applications
- Optimal hydraulic flow
- 2" ports (2½" on outside)
- Standard 8" center to center
- Standard 8" center to center
- Versa-Coupling allows for easy installation on any brand of filter from 7" up to 9" inlet/outlet port distance

2-in-1 Backwash Valve

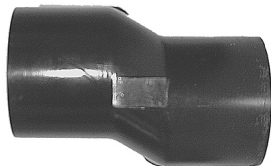
BWVL-NVL comes complete with pre-plumbed universal union kit for DEV48, DEV60, and JS60,100-SM filters

8034J comes complete with pre-plumbed union kit for DEL48 and DEL60 filters

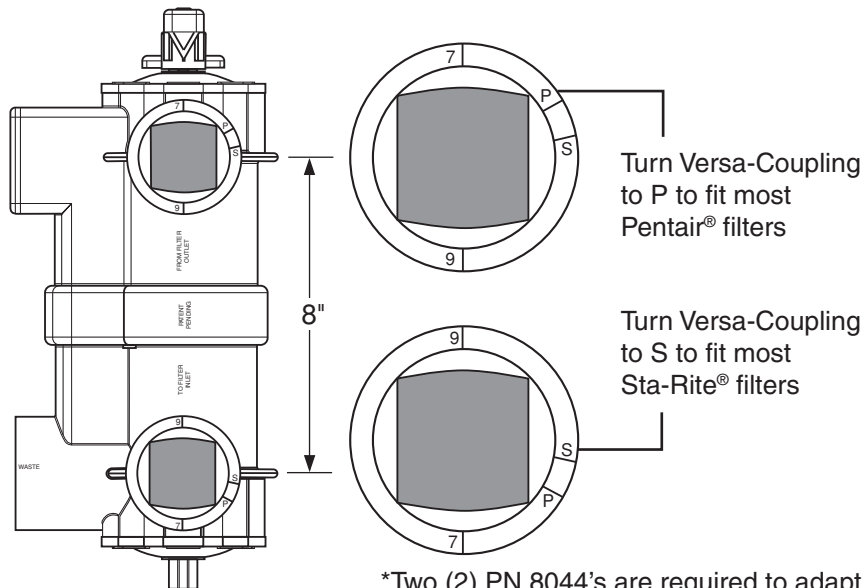
8034 comes with valve only, no unions

Part No.	Description
BWVL-NVL	2-in-1 Backwash Valve pre-plumbed with universal unions for DEV48, DEV60 & JS60,100 filters
8034J	2-in-1 Backwash Valve pre-plumbed with unions for DEL48 and DEL60 filters
8034	2-in-1 Backwash Valve
Valve Accessory	
8044	2" Versa-Coupling (1/ea.)

NOTE: Case quantities: (1) Backwash Valve (PN 8034) per case
 (1) Backwash Valve with pre-plumbed kit (PN 8034J) per case
 (48) Versa-Couplings per case



Versa-Coupling



*Two (2) PN 8044's are required to adapt to most Pentair and Sta-Rite filters

Backwash Valves continue on next page.



Slide Valve Kit

BWVL-SLD connects directly to side ports for DEV60, DEV48, JS60-SM or JS100-SM filters
 SVLV8 connects directly to side ports for DEL60 or DEL48 filters

Slide Valve Kits

- 2-position backwash valve DE or Sand Filter
- 2" ports
- Made of durable CPVC thermoplastic
- Has ergonomic handle
- The Versa-Coupler allows easy installation on most brands of DE and Sand Filters

Part No.	Description
BWVL-SLD	2" Slide Valve, 8" center to center, comes complete with pre-plumbed universal union kit for DEV48, DEV60, JS60-SM and JS100-SM filters
SVLV8	2" Slide Valve, 8" center to center, comes complete with pre-plumbed union kit for DEL48 and DEL60 Filters
SVLV2	2" Slide Valve— (Blank) without unions, 8" center to center



Side Mount Multi-Port Valve

BWVL-MPV comes pre-plumbed for DEV60, DEV48, JS60-SM or JS100-SM filters

A0553645 comes pre-plumbed for DEL60 or DEL48 filters

Multi-Port Valve Kits

- 6-position valves
- Durable lever action handle
- High impact ABS material
- Three (3) unions included
- Available in 1½" top mount and 2" side mount models

Side Mount MPV

Part No.	Description
BWVL-MPV	Side Mount Multi-Port Valve comes complete with pre-plumbed universal union kit for DEV48, DEV60, JS60-SM and JS100-SM filters
A0553645	Side Mount Multi-Port Valve comes complete with pre-plumbed union kit for DEL48 and DEL60 filters
R0443800	2" Multi-Port Valve Unions (3-pack)
R0443900	Top Valve Assembly for 2" Multi-Port
R0444000	Rebuild Kit for 2" Side Mount Multi-Port Valve



Top Mount Multi-Port Valve

Top Mount MPV

Part No.	Description
SFTM-MPV	Complete Multi-Port Valve with Clamp Assembly

Replacement Kits

R0492000	Rebuild Kit for SFTM22, SFTM25 and SFTM-MPV
R0492100	Drain Nozzle Assembly

Jandy® Pro Series Filters by Zodiac® Technical Information

Jandy Pro Series filters keep pool and spa water sparkling clear and refreshingly clean. Zodiac offers a wide variety of filters loaded with features that make installation easy and cleaning a snap. Next time you jump into your Zodiac filtered pool, you can rest assured it's sparkling clean.

Filter Model Number Legend

Format: Media and Tank Type, Size, Backwash Valve Position

Media and Tank Type

CV = Cartridge Filter, "CV" Series, Four Element, Large Cartridge Filter — Versa Plumb® Ready

CL = Cartridge Filter, "CL" Series, Four Element, Large Cartridge Filter

DEV = Diatomaceous Earth Filter, "DEV" Series

CS = Cartridge Filter, "CS" Single Element, Small Cartridge Filter — Versa Plumb Ready

JS = Sand Filter, Side Mount, Composite — Versa Plumb Ready

SFTM = Sand Filter, Top Mount, Thermoplastic

Size:

Cartridge and DE Filters are expressed in square feet of filtration area.

Sand filters are measured in tank diameter (size) in inches

Backwash Valve:

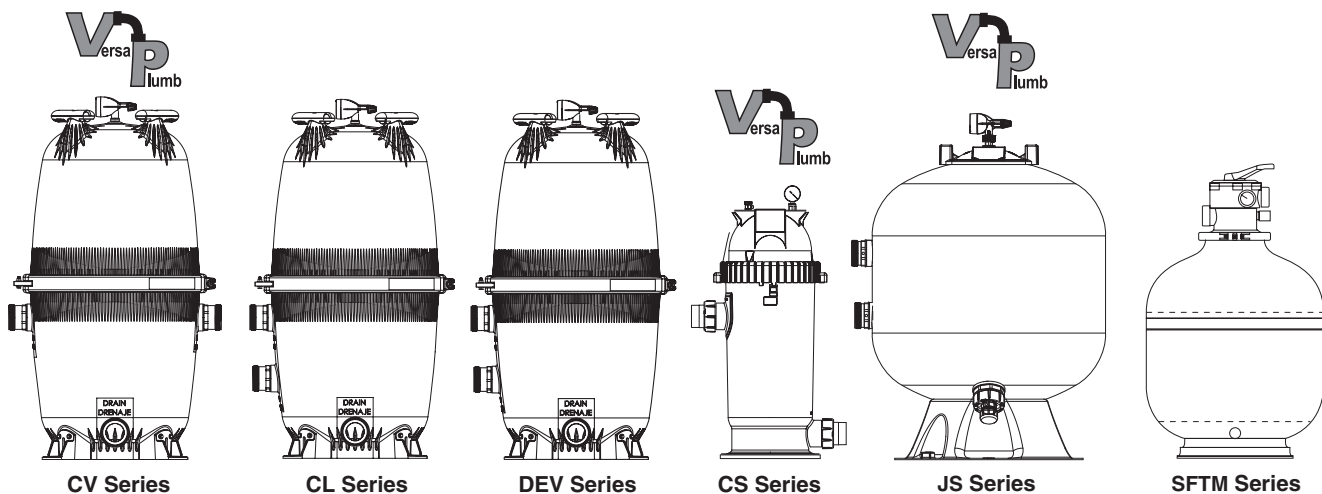
S = Side Mount

T = Top Mount (MPV only)

Example: CV460 is a Cartridge Filter, Large Versa Plumb® Series, 460 square feet.

Example: DEV48 is a Diatomaceous Earth Filter, Versa Plumb Series, 48 square feet.

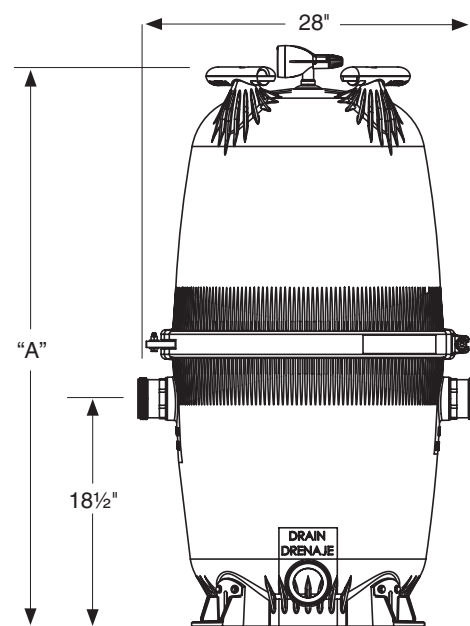
Example: SFTM25 is a Sand Filter, Thermoplastic Tank, 25" Diameter, Top Mount.



CV Series Cartridge Filters

CV Series cartridge filters are designed with the same great filtration as the CL Series large cartridge filters with additional features, making it our best filter yet. They are designed to work with our exclusive Versa Plumb® system to easily connect with the rest of your Jandy® Pro Series equipment, while using minimal space on the equipment pad and maximizing hydraulic flow. The CV Series filters feature an extra large drain port allowing for easy cleaning of debris. Optional anchor brackets make it easy to secure the filter to the pad, while the easy-grip handles on the tank lid make installation and cleaning simple. The extra large capacity extends cleaning cycles. Our signature clean/dirty indicator on the pressure gauge allows you to conveniently assess filter condition. The CV tank is constructed of high impact, UV and corrosion resistant thermoplastic which provides optimum durability; the rigid, heavy duty tank clamp ensures safe operation. We offer a choice of 580, 460 and 340 square foot models.

Specifications and Dimensions, CV Series Filters			
Model No.	CV340	CV460	CV580
Filter Area	340 ft ²	460 ft ²	580 ft ²
Design Flow Rate	.37 gpm/ft ²	.33 gpm/ft ²	.26 gpm/ft ²
Maximum Flow	127 gpm	150 gpm	150 gpm
Six (6) Hour Capacity	45,720 gallons	54,000 gallons	54,000 gallons
Eight (8) Hour Capacity	60,960 gallons	72,000 gallons	72,000 gallons
Maximum Working Pressure	50 psi	50 psi	50 psi
Cartridges Required	4 (85ft ² each)	4 (115ft ² each)	4 (145ft ² each)
Shipping Weight	106 lbs.	106 lbs.	112 lbs.
Height ("A")	41 inches	41 inches	47 inches
Footprint	25" diameter circle	25" diameter circle	25" diameter circle

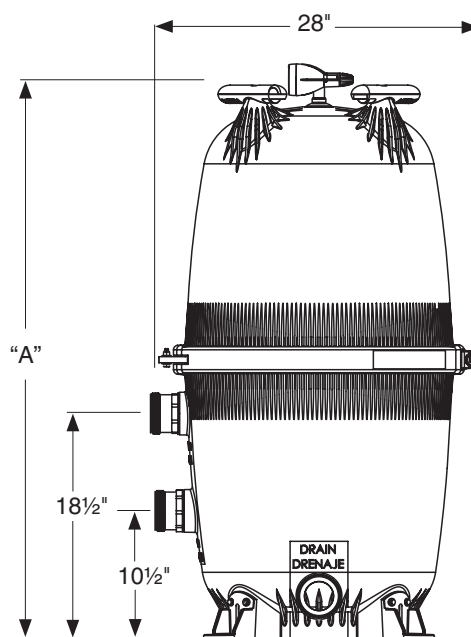


CL Series Cartridge Filters

CL Series cartridge filters set the benchmark for large cartridge filtration. They are particularly easy to use and maintain. Easy-grip handles on the tank lid make installation and cleaning simple. The extra large capacity extends cleaning cycles. Our signature clean/dirty indicator on the pressure gauge allows you to conveniently assess filter condition. High impact, UV and corrosion resistant thermoplastic tank construction provides optimum durability. The rigid, heavy duty tank clamp ensures safe operation. We offer a choice of 580, 460 and 340 square foot models.

Specifications and Dimensions for CL340, CL460 & CL580 Filters

Specifications and Dimensions, CL Series Filters			
Model No.	CL340	CL460	CL580
Filter Area	340 ft ²	460 ft ²	580 ft ²
Design Flow Rate	.37 gpm/ft ²	.33 gpm/ft ²	.26 gpm/ft ²
Maximum Flow	127 gpm	150 gpm	150 gpm
Six (6) Hour Capacity	45,720 gallons	54,000 gallons	54,000 gallons
Eight (8) Hour Capacity	60,960 gallons	72,000 gallons	72,000 gallons
Maximum Working Pressure	50 psi	50 psi	50 psi
Cartridges Required	4 (85ft ² each)	4 (115ft ² each)	4 (145ft ² each)
Shipping Weight	93 lbs.	95 lbs.	101 lbs.
Height ("A")	41 inches	41 inches	47 inches
Footprint	25" diameter circle	25" diameter circle	25" diameter circle
Distance Between Inlet and Outlet	8"	8"	8"

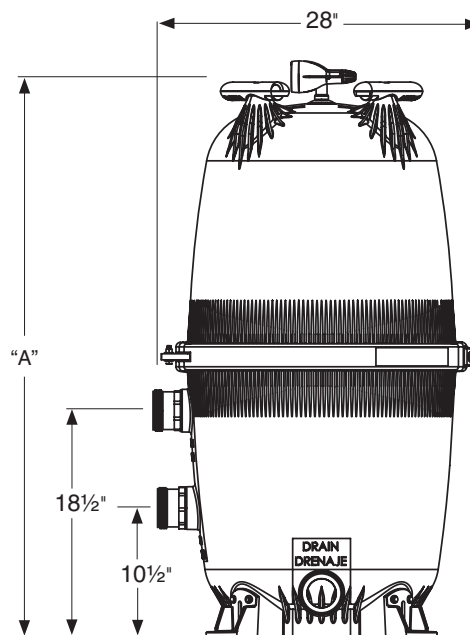


DEV Series Diatomaceous Earth Filters (Supersedes Jandy® DEL Series Filters)

For unsurpassed water clarity, choose Jandy Pro Series Model DEV Diatomaceous Earth Filters by Zodiac®. Easy-grip handles on the tank lid make installation and cleaning a snap. The extra large capacity extends cleaning cycles. Our signature clean/dirty indicator on the pressure gauge allows you to conveniently assess filter condition. High impact, UV and corrosion resistant thermoplastic tank construction provides long lasting durability. The rigid, heavy duty tank clamp ensures safe operation. They accommodate three (3) types of valves: multiport valves, slide valves and the Jandy Never Lube® Backwash Valve. We offer a choice of 48 and 60 square foot models. The new DEV Series filters supersede the previous DEL Series.

Specifications and Dimensions, DEV48 and DEV60 Filters

Specifications and Dimensions, DEV Filters		
Model No.	DEV48	DEV60
Filter Area	48 ft ²	60 ft ²
Design Flow Rate	2.00 gpm/ft ²	2.00 gpm/ft ²
Maximum Flow	96 gpm	120 gpm
Six (6) Hour Capacity	34,560 gallons	43,200 gallons
Eight (8) Hour Capacity	46,080 gallons	57,600 gallons
Maximum Working Pressure	50 psi	50 psi
D.E. Required	5.0 lbs.	6.0 lbs.
Shipping Weight	95 lbs.	101 lbs.
Height ("A")	41 inches	47 inches
Footprint	25" diameter circle	25" diameter circle
Distance Between Inlet and Outlet	8"	8"

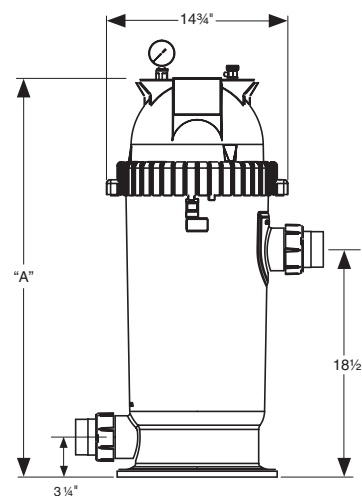


CS Series Single Element Cartridge Filters

Our CS Filter line utilizes single element cartridges designed to provide the same great filtration as our Large Tank Filter series in a compact body. The cartridge element on the CS is easily removed making it simple to clean and care for. The CS filter is just over a foot wide, making it the perfect choice for small equipment areas. It is designed for our Versa Plumb® System to easily connect with the rest of your Zodiac® equipment while using minimal space on the equipment pad. The CS filter features easy grip ergonomic handles and extra large drain ports in a small, compact thermoplastic body.

Specifications and Dimensions, CS100, CS150, CS200 and CS250 Filters

Specifications and Dimensions, CS Series Filters				
Model No.	CS100	CS150	CS200	CS250
Filter Area	100 ft ²	150 ft ²	200 ft ²	250 ft ²
Design Flow Rate	1 gpm/ft ²	.85 gpm/ft ²	.625 gpm/ft ²	.5 gpm/ft ²
Maximum Flow	100 gpm	125 gpm	125 gpm	125 gpm
Six (6) Hour Capacity	36,000 gallons	45,000 gallons	45,000 gallons	45,000 gallons
Eight (8) Hour Capacity	48,000 gallons	60,000 gallons	60,000 gallons	60,000 gallons
Normal Start Up Pressure	6–15 psi	6–15 psi	6–15 psi	6–15 psi
Max. Working Pressure	50 psi	50 psi	50 psi	50 psi
Cartridges Required	1	1	1	1
Shipping Weight	28 lbs.	28 lbs.	34 lbs.	36 lbs.
Height ("A")	32.4"	32.4"	42.5"	42.5"

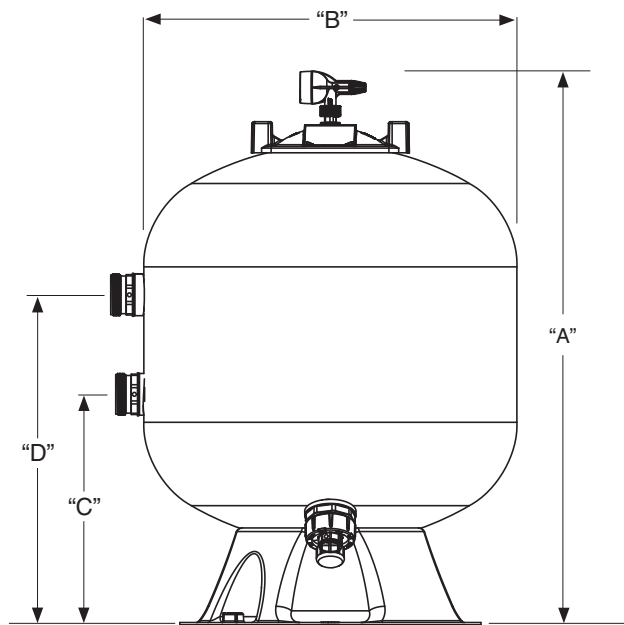


JS Series Sand Filters

The JS Series Sand Filter delivers the crystal clear water pool owners desire, along with unique features for simple and effortless maintenance. With clean/dirty indicators on the pressure gauge, extra large 2" sand and water drain, and ergonomic filter lid, service and winterization are a breeze. As an integral component of any Versa Plumb® System, the JS Series Sand Filter is both versatile and efficient. Designed with an extra deep sand bed and dual diffusers (JS100 only) for improved filtration, the performance is unrivaled. Even the installation is made easy with the three (3) backwash valve kit options: 2-in-1 Never Lube® Valve, Slide Valve and the Multi-Port Valve.

Specifications and Dimensions, JS60 and JS100 Filters

Specifications and Dimensions, JS Series Filters		
Model No.	JS60	JS100
Filtration Area sq ft² (sqM)	3.14 (0,29)	4.9 (0,45)
Filtration gpm/ft²	20	20
Filter Flow Rate gpm (lpm)	63 (238)	98 (371)
Backwash Minimum Flow Rate gpm (lpm)	47 (178)	74 (280)
Maximum Working Pressure psi (bar)	50 (3,4)	50 (3,4)
Six (6) Hour Capacity (gallons)	22,680	35,280
Normal Start Up Pressure (psi)	4–15 psi (28-103kPa)	6–15 psi (41-103kPa)
Shipping Weight	60 lbs.	62 lbs.
Dimension "A"	38.25" (972mm)	44.5" (1130,3mm)
Dimension "B"	24" (610mm)	30" (762mm)
Dimension "C"	13.8" (351mm)	18.5" (469,9mm)
Dimension "D"	21.8" (554mm)	26.5" (673.1mm)



SFTM Series Sand Filter

The SFTM Series Sand Filters have a unique internal design that produces superior flow and efficient operation. Features include corrosion and UV resistant thermoplastic tank construction, 7-position dial valve, combination sand and water drain, automatic internal air relief and quick-connect unions.

Filter Location

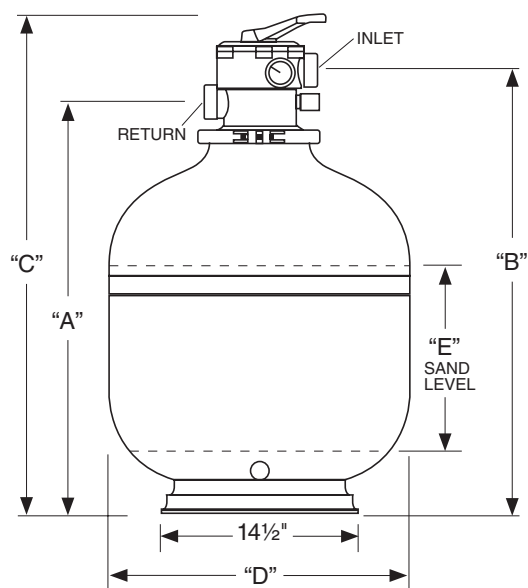
Select a solid, level, well-drained area for the filter. Install filter on concrete slab or solid blocks to avoid risk of settlement.

Allow a minimum of 6" clearance around the filter.

Position filter to easily access pressure gauge and multiport valve handle.

Specifications and Dimensions, SFTM Series Sand Filter

Specifications and Dimensions, SFTM Series Sand Filter		
Model No.	SFTM22	SFTM25
Filter Area	2.64 ft ²	3.30 ft ²
Design Flow Rate	25 gpm/ft ²	25 gpm/ft ²
Maximum Flow	66 gpm	83 gpm
Six (6) Hour Capacity	23,760 gallons	29,880 gallons
Eight (8) Hour Capacity	31,680 gallons	39,840 gallons
Max Working Pressure	35 psi	35 psi
Sand Required	250 lbs.	350 lbs.
Sand Requirements	#20 Silica Sand Size Range: 40–55mm	#20 Silica Sand Size Range: 40–55mm
Dimension "A"	30.75 inches	34 inches
Dimension "B"	33.25 inches	36.5 inches
Dimension "C"	37.5 inches	40.75 inches
Dimension "D"	22.5 inches	25 inches
Dimension "E"	11.5 inches	13.5 inches

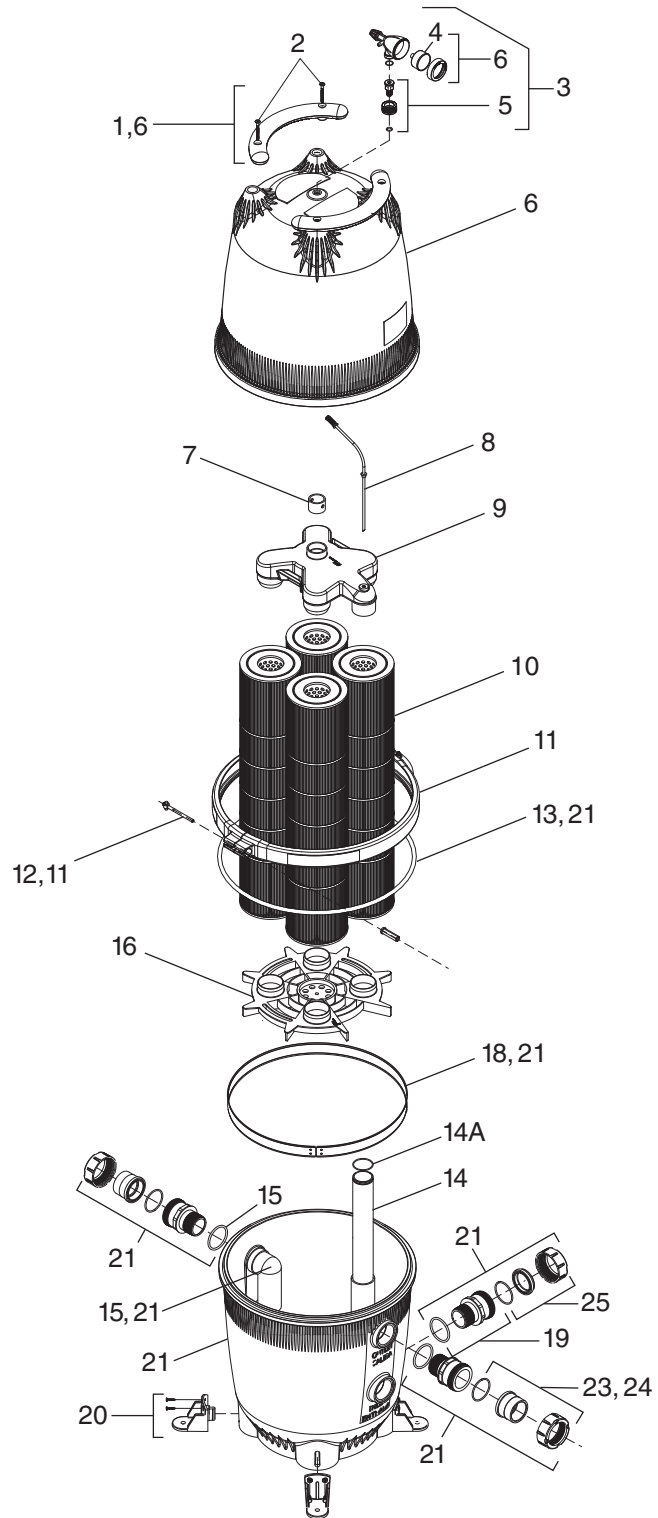


CV Series Cartridge Filter

Part #CV340, CV460, CV580

Key No.	Part No.	Description
1	R0357100	Handle Assembly w/ hardware, 2/PK
2	R0359900	Handle Hardware, 4/PK
3	R0357200	Gauge/Air Release Assembly
4	R0359600	Jandy® Logo Gauge
5	R0552000	Tank Adapter w/ O-ring - Union
6	R0357300	Tank Top, 580 sq. ft.
6	R0554700	Tank Top 340 & 460 sq. ft.
7	R0357700	Top Spacer
8	R0358700	Breather Tube Assembly
9	R0357600	Manifold Assembly
10	R0357900	Filter Cartridge, 145 sq. ft., (4 required) 580 sq. ft.
10	R0554600	Filter Cartridge, 115 sq. ft., (4 required) 460 sq. ft.
10	R0554500	Filter Cartridge, 85 sq. ft., (4 required) 340 sq. ft.
11	R0357400	Tank Clamp Ring w/ Rod Assembly
12	R0357500	Threaded Rod and Retainer
13	R0357800	Tank O-ring
14	R0555100	Outlet Tube/Elbow Assembly w/ O-rings 340, 460, and 580 sq. ft.
14A	R0792000	Outlet Tube O-ring, Filter
15	R0358400	Inlet Elbow w/ O-ring
16	R0358500	Filter Cartridge Support
17	R0358000	O-ring Replacement Kit (not shown)
18	R0405200	Ring, Retaining
19	R0465600	Bulkhead Assembly w/ O-ring, CV Filter
20	R0465500	Anchor Bracket, 4/PK
21	R0465400	Tank Bottom Assembly, CV Filter
23	R0461800	Universal Half Unions, 3/PK and Drain Plug Assembly
24	R0522900	Universal Half Union, 1/PK
25	R0523000	Drain Cap Assembly
N/S	SEFL1002	Sweep Elbow
N/S	R0395500	Filter Tank Drain Adapter, CL/DEL Series

N/S-Not Shown



 **genuine parts**
BY JANDY® PRO SERIES

When you enroll in our Preferred Professional Provider program, Zodiac will give you the tools you need to sell only genuine parts, while enhancing both your reputation and your profitability.

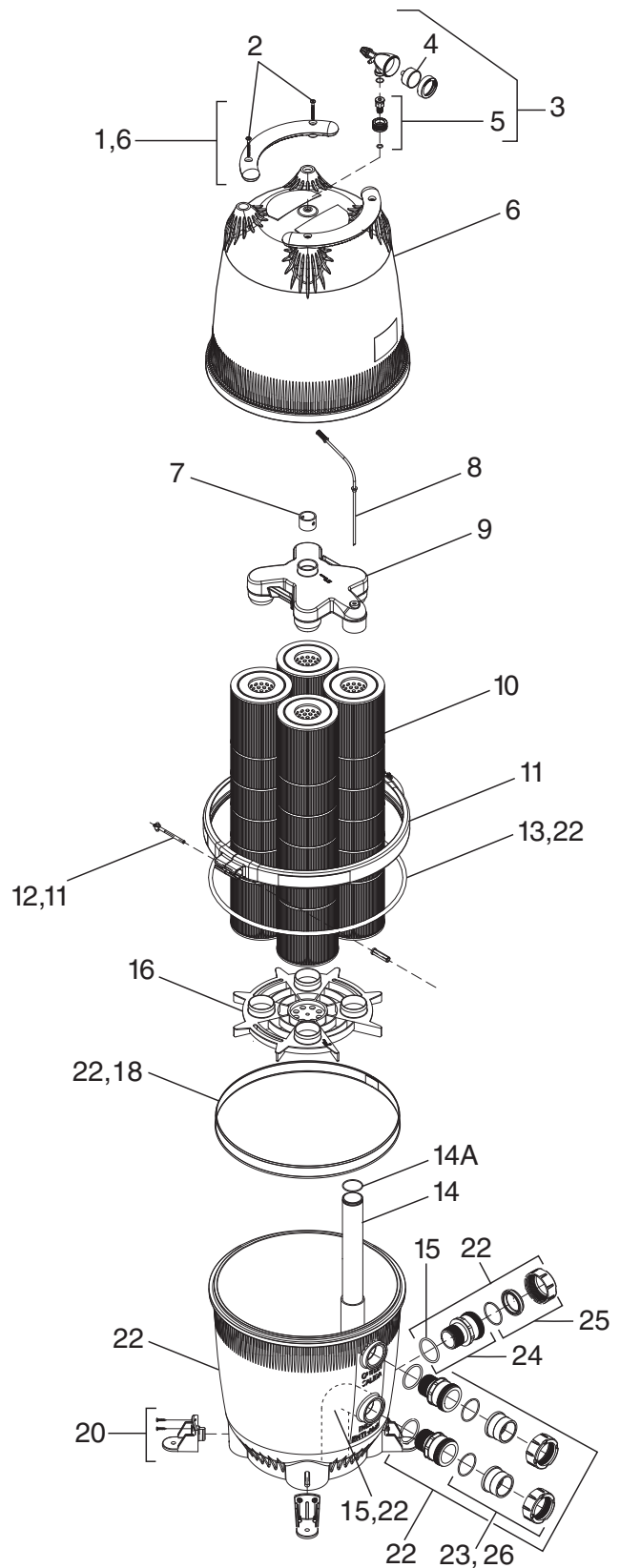
Contact your local Zodiac representative today for details.

CL Series Cartridge Filter

Part #CL340, CL460, CL580

Key No.	Part No.	Description
1	R0357100	Handle Assembly w/ Hardware, 2/PK
2	R0359900	Handle Hardware, 4/PK
3	R0357200	Gauge/Air Release Assembly
4	R0359600	Pressure Gauge
5	R0552000	Tank Adapter w/ O-ring - Union
6	R0357300	Tank Top, 580 sq. ft.
6	R0554700	Tank Top 340 & 460 sq. ft.
7	R0357700	Top Spacer
8	R0358700	Breather Tube Assembly
9	R0357600	Manifold Assembly
10	R0357900	Filter Cartridge, 145 sq. ft., (4 required) 580 sq. ft.
10	R0554600	Filter Cartridge, 115 sq. ft., (4 required) 460 sq. ft.
10	R0554500	Filter Cartridge, 85 sq. ft., (4 required) 340 sq. ft.
11	R0357400	Tank Clamp Ring w/ Rod Assembly
12	R0357500	Threaded Rod and Retainer
13	R0357800	Tank O-ring
14	R0555100	Outlet Tube/Elbow Assembly w/ O-rings 340, 460, & 580 sq. ft.
14A	R0792000	Outlet Tube O-ring, Filter
15	R0358400	Inlet Elbow w/ O-ring
16	R0358500	Filter Cartridge Support
17	R0358000	O-ring Replacement Kit (not shown)
18	R0405200	Ring, Retaining
20	R0465500	Anchor Bracket, 4/PK
22	R0466500	Tank Bottom Assembly, CL Filter
23	R0461800	Universal Half Unions, 2/PK and Drain Plug Assembly
23	R0358200	Bulkhead Fitting Replacement Kit
24	R0465600	Bulkhead Assembly w/ O-ring (Prior to 2007 Part# R0358200)
25	R0523000	Drain Cap Assembly
26	R0465600	Universal Half Union, 1/PK
N/S	SEFL1002	Sweep Elbow
N/S	R0395500	Filter Tank Drain Adapter, CL/DEL Series
N/S	R0358800	Small Threaded Drain Cap (Prior to 2008)

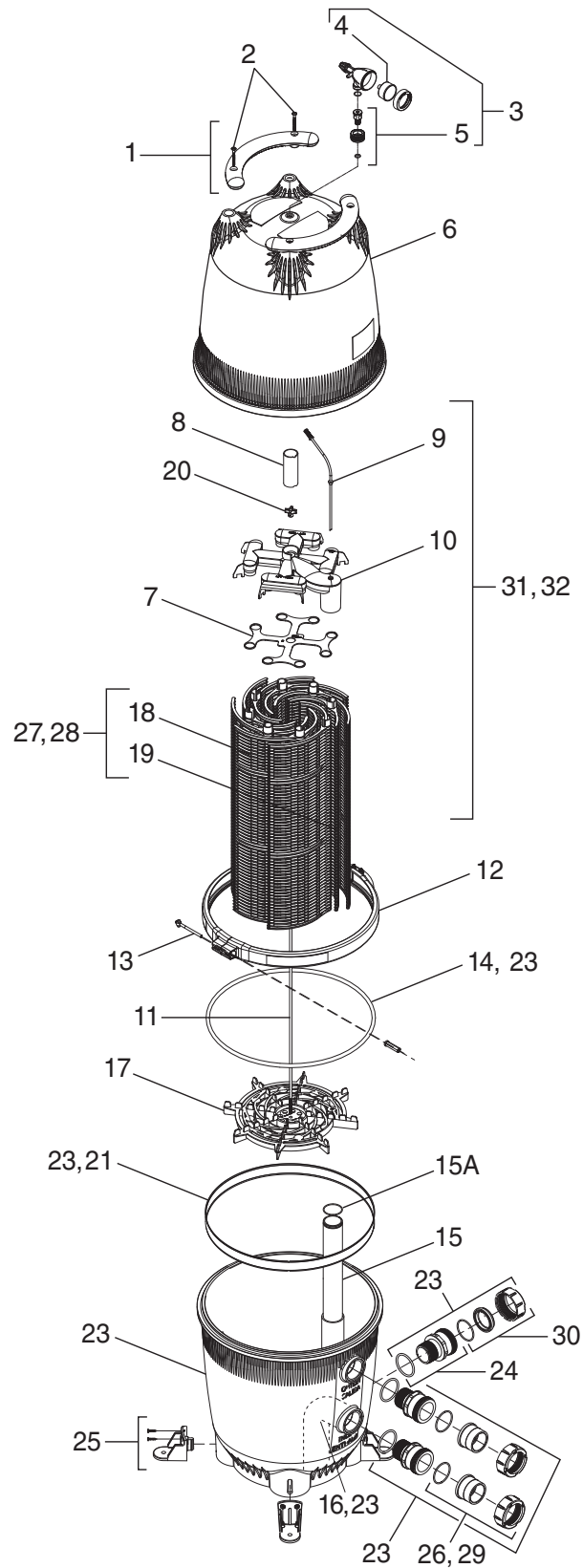
N/S-Not Shown



DEV Series D.E. Filter (Supersedes Jandy® DEL Series)

Part #DEV48, DEV60

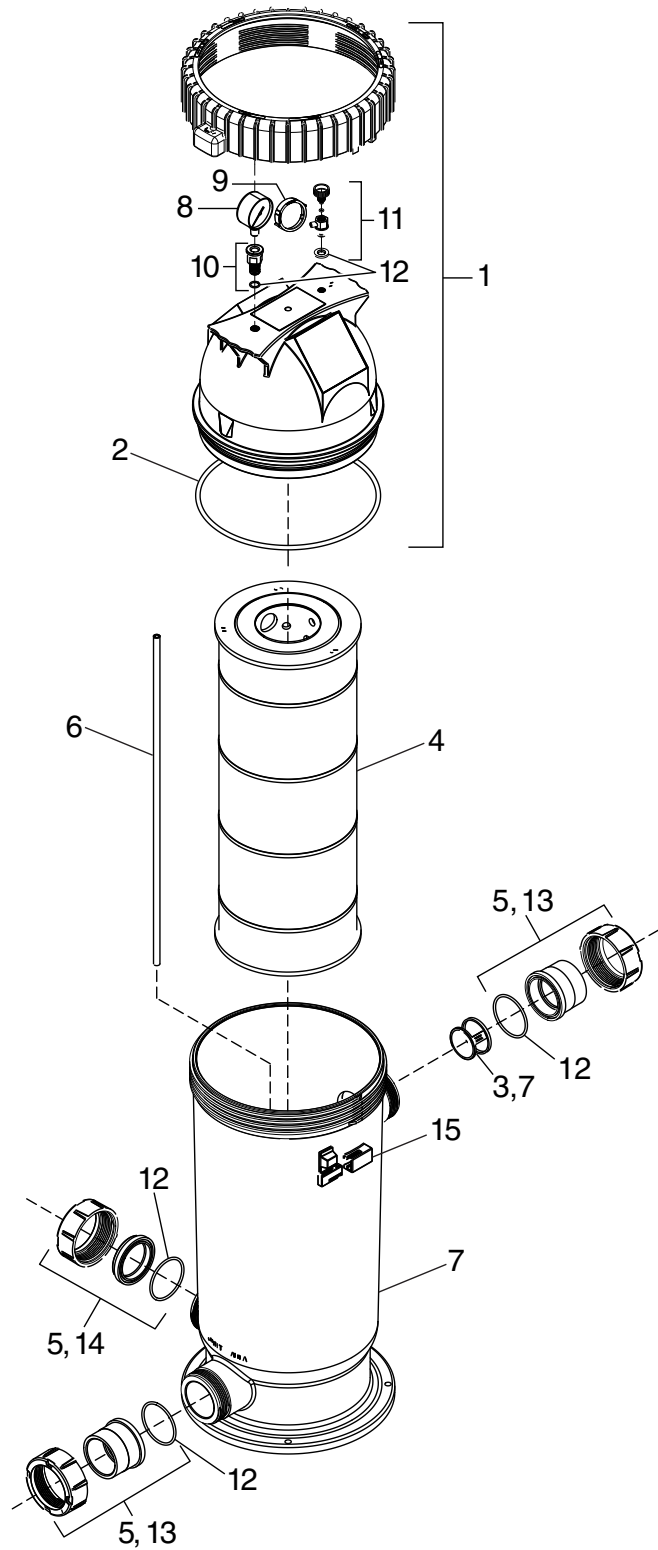
Key No.	Part No.	Description
1	R0357100	Handle Assembly w/ Hardware, 2/PK
2	R0359900	Handle Hardware, 4/PK
3	R0357200	Gauge/Air Release Assembly
4	R0359600	Pressure Gauge
5	R0552000	Tank Adapter w/ O-ring
6	R0357300	Tank Lid DEV60
6	R0554700	Tank Lid DEV48
7	R0359700	Top Spacer for DE Grids
8	R0405100	Spacer, DEV48/60, Large Filter
9	R0358700	Breather Tube Assembly
10	R0359000	Manifold Assembly
11	R0359300	Tie Rod w/ Knob and Lock Nuts, DEV 60
11	R0554800	Tie Rod w/ Knob and Lock Nuts, DEV 48
12	R0357400	Tank Clamp Ring w/ Knob Assembly
13	R0357500	Clamp Ring Assembly w/ Threaded Rod and Retainer
14	R0357800	Tank O-ring
15	R0555100	Outlet Tube/Elbow Assembly w/ O-rings
15A	R0792000	Outlet Tube O-ring, Filter
16	R0358400	Inlet Elbow w/ O-ring
17	R0359500	DE Grid Support
18	R0359100	DE Grid, Full Size, DEV60 (7 required)
18	R0555000	DE Grid, Full Size, DEV48 (7 required)
19	R0359200	DE Grid, Short Span, DEV60, 1/PK
19	R0554900	DE Grid, Short Span, DEV48, 1/PK
20	R0359400	Tie Rod Knob
21	R0405200	Ring, Retaining
n/s	R0358000	O-ring Replacement Kit
23	R0466500	Bottom Assembly, Universal Unions
24	R0465600	Bulkhead Assembly w/ O-ring (Prior to 2007 Part# R0358200)
25	R0465500	Anchor Bracket Kit, 4/PK
26	R0461800	Universal Half Unions, 2/PK and Drain Plug Assembly
27	R0442600	Complete set of DEV60 Filter Grids (7 full-size, 1 short span)
28	R0442700	Complete set of DEV48 Filter Grids (7 full-size, 1 short span)
29	R0522900	Universal Half Union, 1/PK
30	R0523000	Drain Cap Assembly
31	R0501300	Complete Grid Assembly DEV/DEL 48 (Includes parts 7, 8, 9, 10, 11, 17, 18, 19, and 20)
32	R0501400	Complete Grid Assembly DEV/DEL 60 (Includes parts 7, 8, 9, 10, 11, 17, 18, 19, and 20)



CS Series Cartridge Filter

Part #CS100, CS150, CS200, CS250

Key No.	Part No.	Description
1	R0461900	Top Housing Assembly CS100, CS150
1	R0462000	Top Housing Assembly CS200, CS250
2	R0462700	O-ring, Tank Top
3	R0462100	Inlet Diffuser
4	R0462200	Cartridge Element, 100 Sq. Ft., CS100
4	R0462300	Cartridge Element, 150 Sq. Ft., CS150
4	R0462400	Cartridge Element, 200 Sq. Ft., CS200
4	R0462500	Cartridge Element, 250 Sq. Ft., CS250
5	R0461800	Tailpiece, Cap and Union Nut Set (Set of 3), 2" x 2½"
5	R0462600	Tailpiece, Cap and Union Nut Set (Set of 3), 50mm
6	R0462801	Breather Tube, CS100, CS150
6	R0462802	Breather Tube, CS200, CS250
7	R0462900	Bottom Housing Assembly
8	R0556900	Pressure Gauge, 0–60 psi
9	R0468200	Clean/Dirty Snap Ring
10	R0557100	Pressure Gauge Adapter
11	R0557200	Air Release Valve
12	R0466300	O-ring Set
13	R0522900	Universal Half Union, 1/PK
14	R0523000	Drain Cap Assembly
15	R0484100	CS Filter Locking Tab

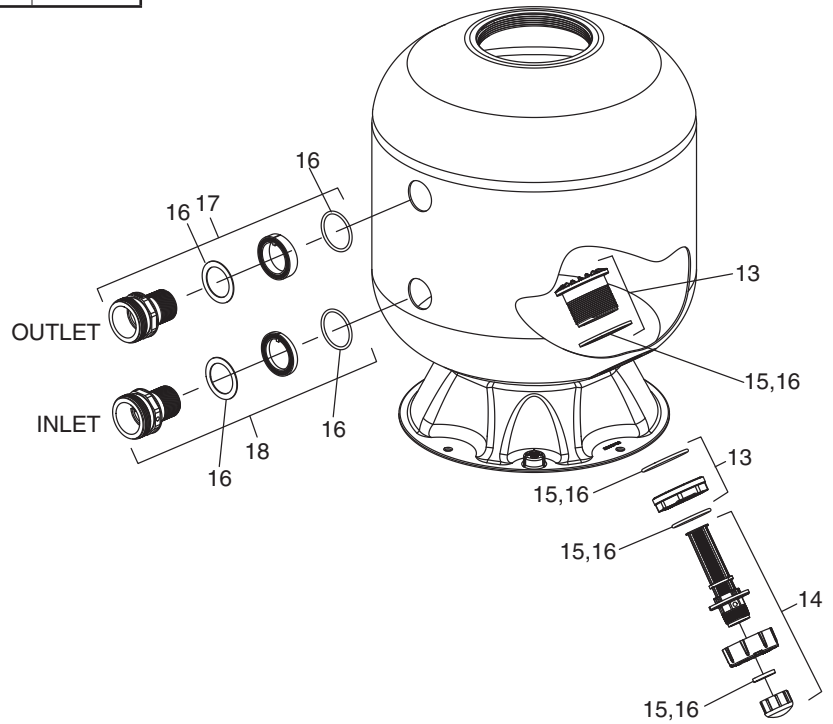
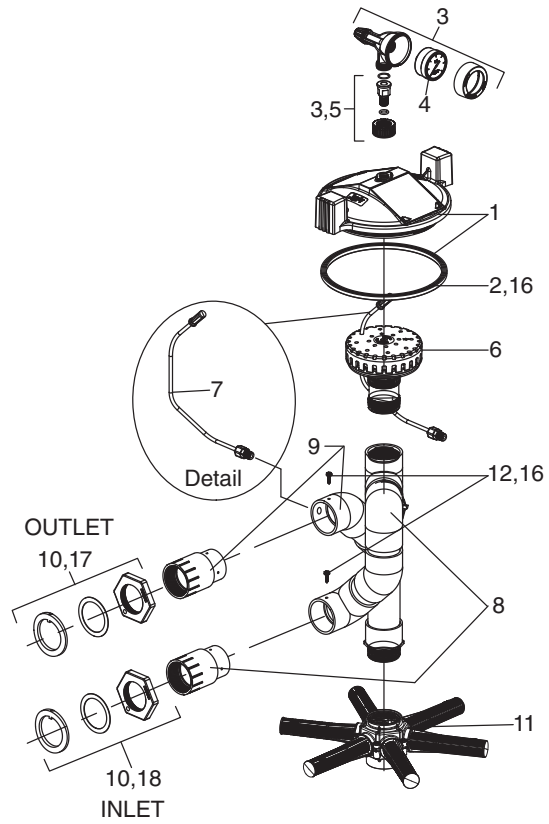


JS Series Sand Filters

Part #JS60-SM

Key No.	Part No.	Description
1	R0487300	Lid, Sand Filter
2	R0487400	Lid Seal, Sand Filter
3	R0357200	Gauge/Air Relief Assembly
4	R0359600	Pressure Gauge
5	R0552000	Tank Adapter w/ O-ring and Union
6	R0487501	Diffuser, JS60-SM
7	R0487600	Air Relief Assembly
8	R0519901	Inlet Piping Kit, JS60-SM
9	R0520001	Outlet Piping Kit, JS60-SM
10	R0520100	Nuts, Slip Ring and Inner Spacer, JS60
11	R0520200	Hub Assembly w/ 24" Laterals, JS60
12	R0488100	Screw, #10 x 3/4" SS, 6/PK
13	R0488200	Sand Filter Drain Fitting Assembly
14	R0488300	Drain Screen Assembly
15	R0488400	Drain Fitting Seals Kit
16	R0488500	O-ring and Hardware Kit
17	R0520300	Outlet Fitting, Complete, JS60
18	R0520400	Inlet Fitting, Complete, JS60
N/S	SEFL1002	Sweep Elbow

N/S-Not Shown

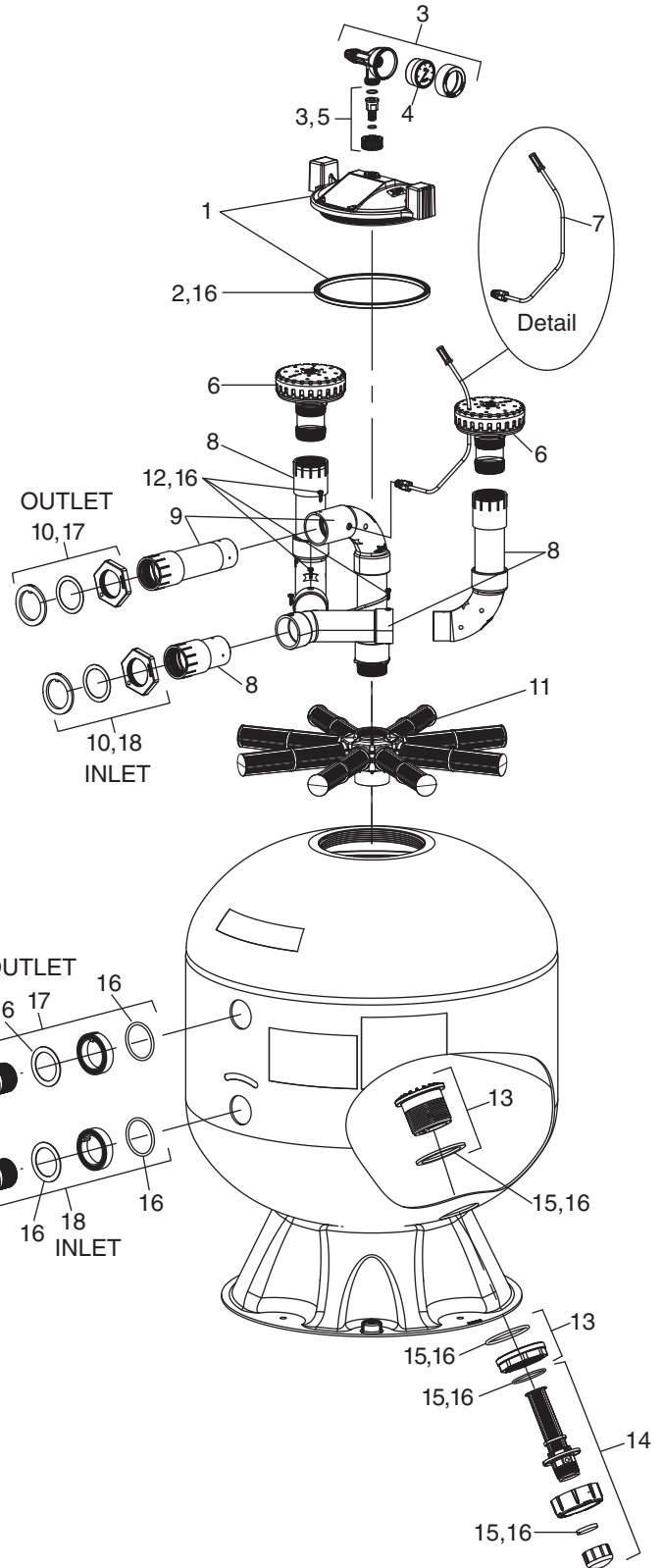


JS Series Sand Filters

Part #JS100-SM

Key No.	Part No.	Description
1	R0487300	Lid, Sand Filter
2	R0487400	Lid Seal, Sand Filter
3	R0357200	Gauge/Air Relief Assembly
4	R0359600	Pressure Gauge
5	R0552000	Tank Adapter w/ O-ring and Union
6	R0487500	Diffuser
7	R0487600	Air Relief Assembly
8	R0487700	30" Inlet Piping Kit
9	R0487800	Outlet Piping Kit
10	R0487900	Nuts, Slip Ring and Inner Spacer
11	R0488000	Hub Assembly w/ 30" Laterals
12	R0488100	Screw, #10 x 3/4" SS, 6/PK
13	R0488200	Sand Filter Drain Fitting Assembly
14	R0488300	Drain Screen Assembly
15	R0488400	Drain Fitting Seals Kit
16	R0488500	O-ring and Hardware Kit
17	R0488600	Outlet Fitting 30", Complete
18	R0488700	Inlet Fitting 30", Complete
N/S	SEFL1002	Sweep Elbow

N/S- Not Shown

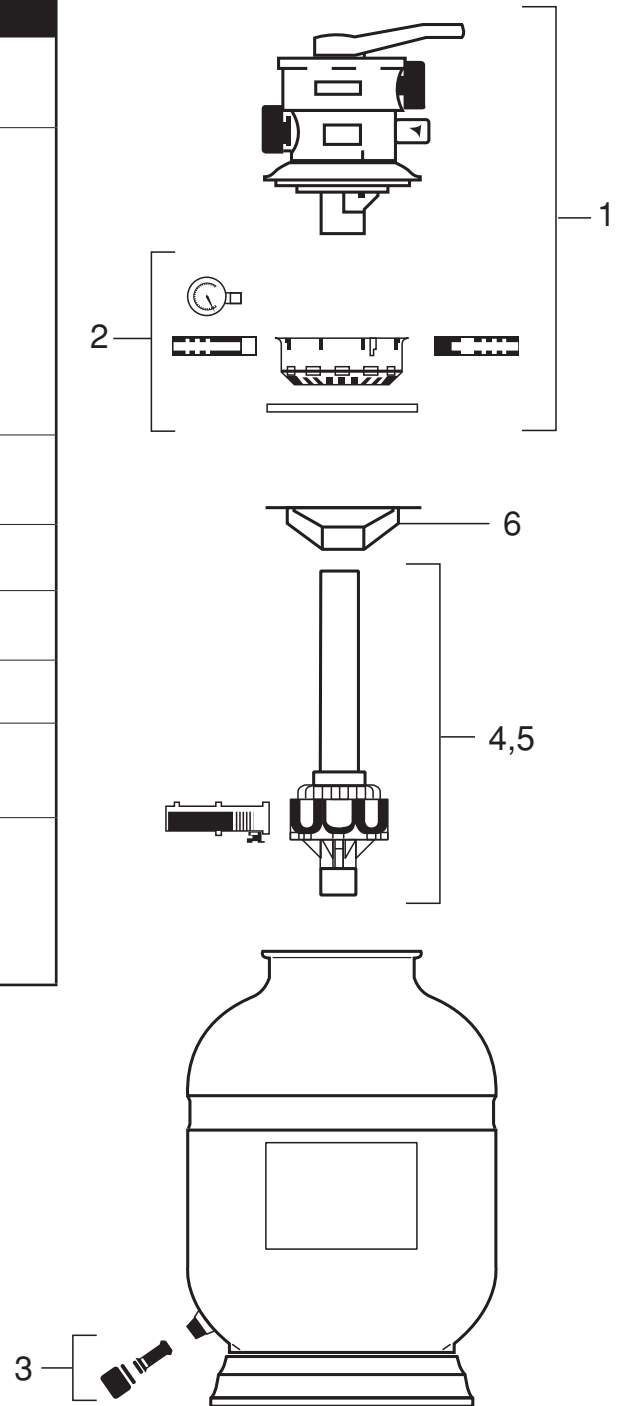


SFTM Series Sand Filters

Part #SFTM22, SFTM25

Key No.	Part No.	Description	Extended Description
1	SFTM-MPV	Complete Multiport Valve w/ Clamp Assembly	
2	R0492000	Rebuild Kit for SFTM22, SFTM25 and SFTM-MPV	Rotor w/ Spider Gasket Valve Handle w/ Retainer Pin Rotor Shaft O-ring, Spring & Washers MPV Top O-ring MPV Top Hardware (6 bolts w/ nuts) Tank O-ring Deflector Basket w/ Screws V-Band Plastic Clamp w/ Bolts Pressure Gauge 0-60 PSI
3	R0492100	Drain Nozzle Assembly	Drain Nozzle Drain Nozzle Retainer Drain Cap w/ Gasket
4	R0492200	SFTM22 Lateral and Standpipe Assembly	22" Lateral Kit Snap Fit 8/PK 22" Standpipe Assembly
5	R0492300	SFTM25 Lateral and Standpipe Assembly	25" Lateral Kit Snap Fit 8/PK 25" Standpipe Assembly
6	R0492700	Sand deflector (cover)	
N/S	R0492600	Complete 1.5" Unions w/ Adapter Kit	2-Complete Threaded Unions 3-Barbed Adapters 2-Hose Clamps
N/S	R0503100	SFTM Accessory Bag Kit	Complete Threaded Unions Barbed Adapters Hose Clamps Reducer Bushing Pressure Gauge Flex Pipe

N/S-Not Shown

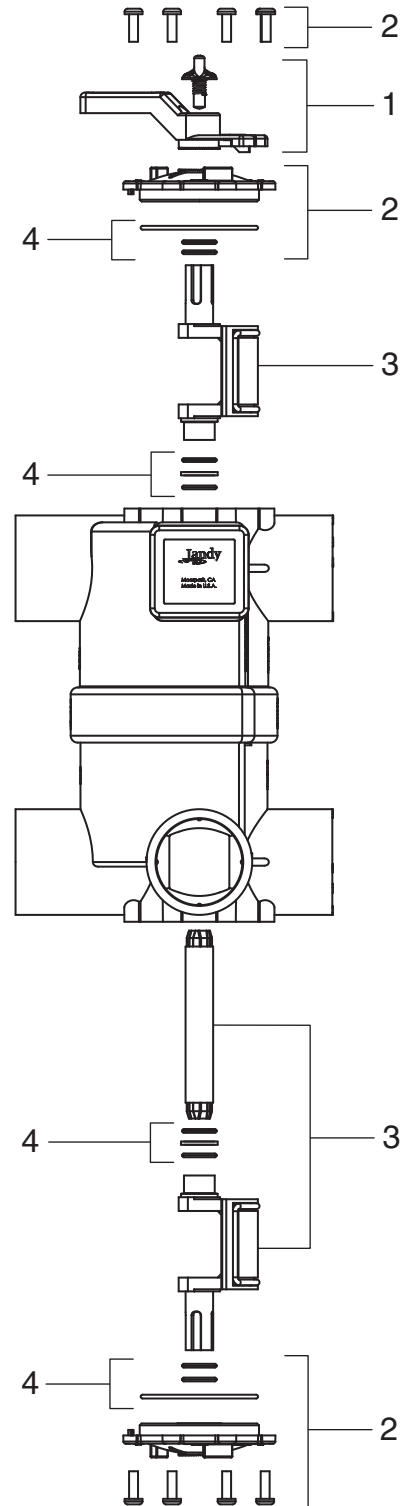
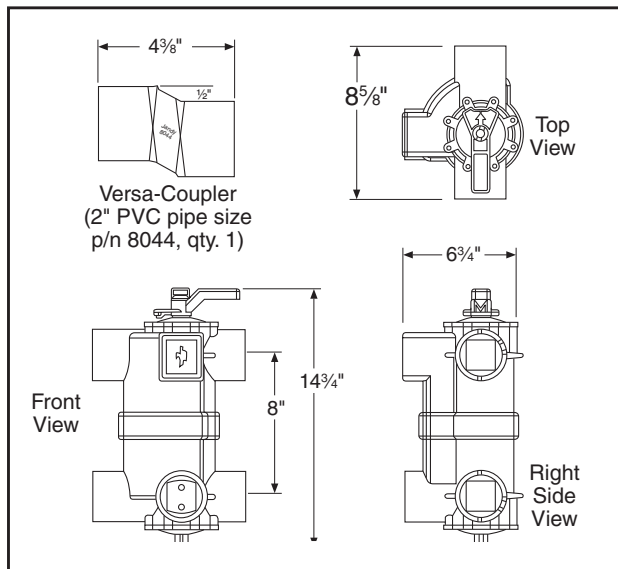


Never Lube® Backwash Valve Replacement Kits BWVL-NVL, 8034J and 8034

Key No.	Part No.	Description	Qty.
1	R0552100	Handle Kit	
		Locking Knob	1
		Handle, Never Lube, Black	1
		Cover Kit	
2	R0552200	Valve Cover, top (keyed)	1
		Valve Cover, bottom (keyed)	1
		O-ring, 151	2
		O-ring, 116	4
		Screws, Machine #14	16
		Instructions, Replacement Kit	1
3	R0552300	Diverter Kit	
		Diverter Shaft	1
		Diverter Assembly, Top (Blue Seal)	1
		Diverter Assembly, Bottom (Black Seal)	1
		Installation Manual	1
		O-ring Kit	
4	R0552400	Par Ring	2
		Lid O-ring, 151	2
		Diverter O-ring, 116	8
		Installation Manual	1
N/S	R0413900	Plumbing Kit	
		Nut, Universal Union	2
		O-ring, Coupling	2
		Flange, 2" x 3.34" Tailpiece	1
		Flange, 2" x 2.97" Tailpiece	1

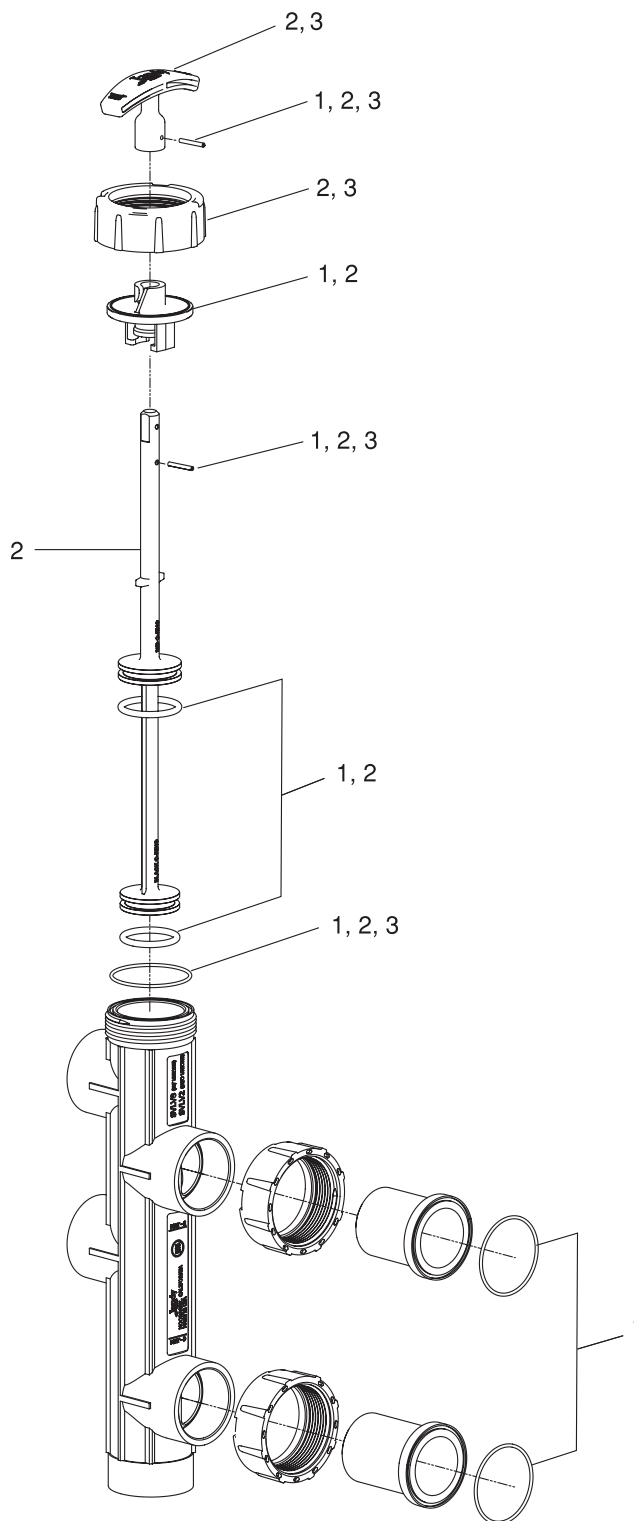
ⓘ Limited Quantity. Available While Supplies Last. N/S-Not Shown

Valve Dimensions



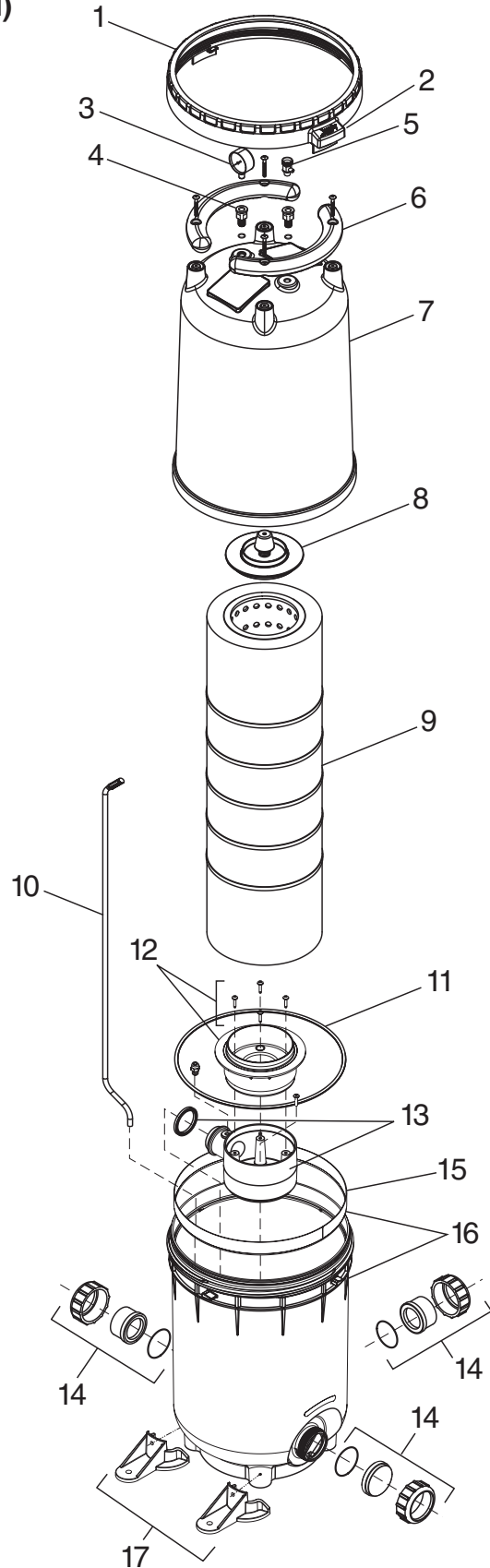
Slide Valve Replacement Kits R0442100, R0442200 and R0442300

Key No.	Part No.	Description	Qty.
1	R0442100	Rebuild Kit	
		(O-rings, Roll Pins and Index Plate/Lid)	1
		O-ring, Lid	1
		O-ring, Shaft, Top, Black	1
		O-ring, Shaft, Bottom, Purple	1
		O-ring, Union Tail Piece	2
		Roll Pin, Handle (1")	1
		Roll Pin, Shaft (¹³ / ₁₆ "	1
		Index Plate/Lid	1
		Installation Manual	1
2	R0442200	Shaft Replacement Kit	
		Shaft	1
		Handle	1
		Roll Pin, Handle (1")	1
		Roll Pin, Shaft (¹³ / ₁₆ "	1
		Index Plate/Lid	1
		Lid Union Nut	1
		O-ring, Lid	1
		O-ring, Shaft, Top, Black	1
		O-ring, Shaft, Bottom, Purple	1
Installation Manual	1		
3	R0442300	Handle Replacement Kit	
		Handle	1
		Roll Pin, Handle (1")	1
		Roll Pin, Shaft (¹³ / ₁₆ "	1
		Lid Union Nut	1
		Lid O-ring	1
		Installation Manual	1



Jandy® CJ Series Cartridge Filter (Discontinued)

Key No.	Part No.	Description
1	R0557500	Locking Ring
2	R0557400	Locking Ring Safety Latch
3	R0556900	Pressure Gauge
4	R0552000	Pressure Gauge/Air Release Adapter w/ O-ring
4	R0557100	Pressure Gauge, Adapter
5	R0557200	Air Release Valve
6	R0557300	Handle w/ Screws, 2/PK
7	R0559701	TankBody Assembly, Upper, CJ200
7	R0559702	TankBody Assembly, Upper, CJ250
8	R0557600	Upper Bearing Assembly
9	R0556700	Filter Cartridge, CJ250
9	R0556800	Filter Cartridge, CJ200
10	R0557700	Breather Tube, CJ250
10	R0557701	Breather Tube, CJ200
11	R0557900	Tank O-ring
12	R0558000	Cartridge to Plenum Adapter, w/ Screws
13	R0558100	Plenum w/ Gasket
14	R0461800	Half Unions w/ O-rings, 3/PK and Drain Plug Cap (Universal Unions)
15	R0409900	Retaining Ring, CJ Series
16	R0410000	Tank Bottom w/ Retaining Ring, CJ200/250
17	R0395100	Anchor Brackets, 4/PK
N/S	R0558200	Half Unions w/ O-rings, 3/PK and Drain Plug Cap for old style CJ Filter Serial Numbers Lower than I06SD0001
N/S	R0558300	O-ring Replacement Kit
N/S	R0558500	Hardware Kit
N/S	R0558400	Accessory Bag, w/ Half Unions, 2/PK, Pressure Gauge, Pressure Relief Valve, Instructions
N/S	R0560600	Safety Label Kit (Inlet, Outlet, Drain)

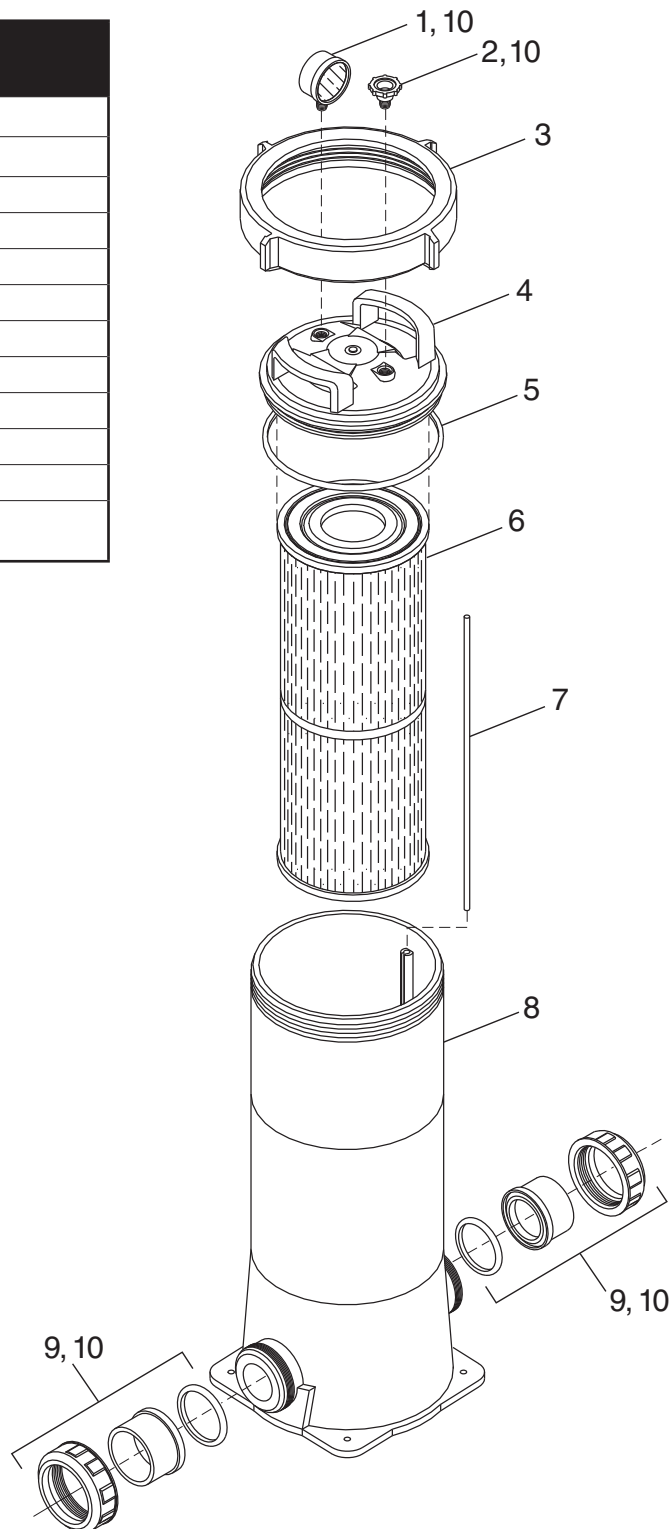


Jandy® CT Series Cartridge Filter (Discontinued)

Part #CT50, CT75, CT100

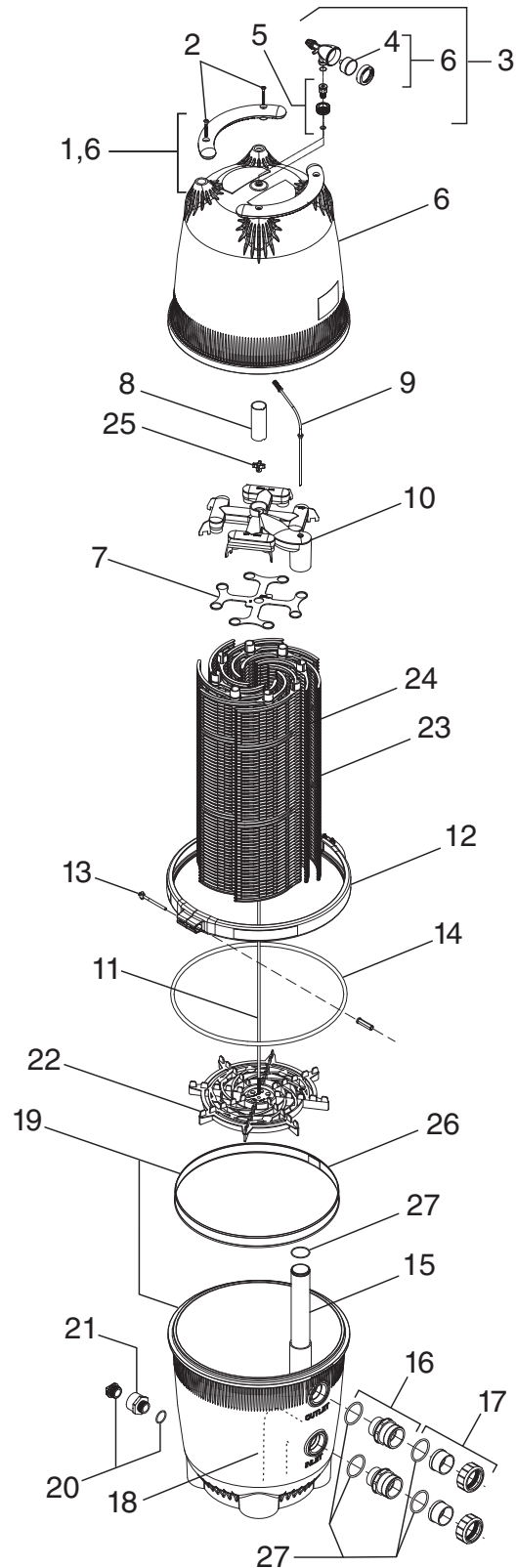
Key No.	Part No.	Description	Size
1	R0349300	Pressure Gauge w/ O-ring	All
2	R0349200	Pressure Relief Valve w/ O-ring	All
3	R0353200	Locking Ring	All
4	R0353300	Lid, w/ O-ring	All
5	R0353400	O-ring, Lid	All
6	R0342101	Filter Cartridge, 50 sq. ft.	CT50
6	R0342102	Filter Cartridge, 75 sq. ft.	CT75
6	R0342103	Filter Cartridge, 100 sq. ft.	CT100
7	R0353500	Breather Tube	All
8	N/A	Tank Body	—
9	R0355300	Coupling Nuts, 2/PK All	All
10	R0355500	Accessory Bag, w/ Half Unions, 2/PK	All

N/A-Not Available



Jandy® DEL Series D.E. Filter (Discontinued)

Key No.	Part No.	Description
1	R0357100	Handle Assembly w/ Hardware, 2/PK
2	R0359900	Handle Hardware, 4/PK
3	R0357200	Gauge/Air Release Assembly
4	R0359600	Pressure Gauge
5	R0552000	Tank Adapter w/ O-ring
6	R0357300	Tank Top, DEL60
6	R0554700	Tank Top, DEL48
7	R0359700	Top Spacer for DE Grids
8	R0405100	Top Spacer Collar
9	R0358700	Breather Tube Assembly
10	R0359000	DE Manifold Assembly
11	R0359300	Tie Rod w/ Knob and Lock Nuts, DEL60
11	R0554800	Tie Rod w/ Knob and Lock Nuts, DEL48
12	R0357400	Tank Clamp Ring w/ Knob Assembly
13	R0357500	Clamp Ring Knob Assembly w/ Threaded Rod and Retainer
14	R0357800	Tank O-ring
15	R0555100	Outlet Tube/Elbow Assembly w/ O-rings 340, 460, and 580 sq. ft.
16	R0358200	Bulkhead Fitting Replacement Kit
17	R0327300	Coupling Nuts w/ Flange and O-ring, 2/PK
18	R0358400	Inlet Elbow w/ O-ring
19	R0466500	Tank Bottom w/ Retaining Ring and Drain Plug
20	R0358800	Drain Plug w/ O-ring
21	R0395500	Large Tank Drain Adapter w/ O-ring
22	R0359500	DE Grid Support
23	R0359100	DE Single Grid, Full Size, DEL60 (7 req'd)
23	R0555000	DE Single Grid, Full Size, DEL48 (7 req'd)
24	R0359200	DE Single Grid, Short Span, DEL60 (1 req'd)
24	R0554900	DE Single Grid, Short Span, DEL48 (1 req'd)
25	R0359400	Tie Rod Knob
26	R0405200	Large Tank Retaining Ring
27	R0358000	O-ring Kit, Outlet Tube, Bulkhead Assembly
N/S	R0358000	Large Tank O-ring Replacement Kit
N/S	H0238800	Installation/Operation Manual
N/S	R0442600	Complete set of Jandy DEL 60 filter grids (7 full-size, 1 short span)
N/S	R0442700	Complete set of Jandy DEL 48 filter grids (7 full-size, 1 short span)
N/S	R0443700	Gauge Adapter Kit (not shown) (1 brass pump adapter and 1 thermoplastic filter adapter)
N/S	R0501300	Complete Grid Assembly DEV/DEL 48 (Includes parts 7, 8, 9, 10, 11, 22, 23, 24, and 25)
N/S	R0501400	Complete Grid Assembly DEV/DEL 60 (Includes parts 7, 8, 9, 10, 11, 22, 23, 24, and 25)



N/S-Not Shown



HEATERS



Heaters	91
Heater Accessories	95
Technical Information	101
Heater Selection Guide	103
Heater Parts	105

Jandy® Pro Series JXi™ Heater

The JXi heater sets a new standard in pool and spa heating technology with its ultra-compact size, lightweight design, and installation flexibility, making it a top choice for pool professionals and pool owners everywhere. The high-efficiency, low-NOx JXi is available in three BTU sizes, 200K, 260K, 399K, and offered in both natural and propane gas models.

- Ultra-compact, 2'x2' footprint for small space requirements and maximum installation flexibility*
- Lightweight design, weighs less than 126 pounds unpackaged, for easy maneuverability and transport
- Best retrofit option, no plumbing adjustments required for quick and easy replacement of Mastertemp® and Max-E-Therm® heaters
- 83% thermal efficiency rating and low-NOx design surpasses strict DOE energy-efficiency requirements**



JXi Heater



Digital Controller



PROFESSIONAL INSTALLATION REQUIRED

Jandy heaters must be installed and serviced by a professional and licensed pool/spa technician. Improper installation and/or operation will void the warranty. See owner's/user's manual for details.

Part No. Description

JXI200N	Jandy Pro Series JXi Pool Heater 200 Natural
JXI200P	Jandy Pro Series JXi Pool Heater 200 Propane
JXI260N	Jandy Pro Series JXi Pool Heater 260 Natural
JXI260P	Jandy Pro Series JXi Pool Heater 260 Propane
JXI400N	Jandy Pro Series JXi Pool Heater 400 Natural
JXI400P	Jandy Pro Series JXi Pool Heater 400 Propane
JXI400NN	Jandy Pro Series JXi Pool Heater 400 Natural CuNi
JXI400PN	Jandy Pro Series JXi Pool Heater 400 Propane CuNi

Now Introducing VersaFlo™ Integrated Bypass technology for JXi available installed from the factory (select model) or as an easy retrofit to any JXi on site.

- Offers up to 20 percent additional energy savings**
- Automation actuation of flow bypass valve is based on call for heat
- Header integration means no external plumbing modifications are needed

Part No. Description

JXI400NK	Jandy Pro Series JXi Pool Heater 400 Natural with VersaFlo
JXIVFKIT	VersaFlo Bypass Accessory Kit

VersaFlo Ordering Information: Part Number JXi400NK is a 400K BTU heater with VersaFlo factory-installed. To add VersaFlo to other JXi models in the field please order JXIVFKIT. Please note, JXi serial numbers beginning with G and earlier will also need part number R0719500 (power interface board) and R0719400 (electronic flue sensor).

*Refer to JXi Manual for proper heater clearances that may apply.

**Versus a similar system without VersaFlo.

Please see page "ENERGY GUIDE LABELS" on page 102 for energy guide label.



Hi-E2 Heater



Hi-E2® Heater

- 95% efficiency rating
- Sealed combustion
- Bronze headers
- PVC venting
- ASME® Certified (Certain models)

Part No.	Description
EHE350NC	HiE2, 350K BTU, NAT, ASME Certified
EHE350PC	HiE2, 350K BTU, LP, ASME Certified
EHE350NS	HiE2, 350K BTU, NAT, ASME/Salt Water
EHE350PS	HiE2, 350K BTU, LP, ASME/Salt Water
EHE350NB	HiE2, 350K BTU, NAT
EHE350PB	HiE2, 350K BTU, LP

Please see page 102 for energy guide label.



LXi Heater



LXi™ Heaters

- Digital control panel
- Communicates with the AquaLink® family of controls
- Available in two models, propane and low NOx natural gas
- Lightweight, compact, corrosion resistant headers
- NN and PN models include cupronickel tubes
- NC and PC models include copper tubes, bronze headers and ASME® Certified rating
- NS and PS models include cupronickel tubes, bronze headers and ASME Certified

Part No.	Description
LXi250N	LXi 250K BTU, NAT, Poly
LXi250P	LXi 250K BTU, LP, Poly
LXi400N	LXi 400K BTU, NAT, Poly
LXi400P	LXi 400K BTU, LP, Poly

Ⓛ-Limited Quantity. Available While Supplies Last.

Please see page 102 for energy guide label.



LXi Control Panel



Versa Plumb® Ready

LXi™ Pool & Spa Heater Options

See Ordering Instructions for complete details

Part#	Description
8th Digit = N	Cupronickel tubes, poly headers
8th Digit = C	Bronze headers, standard copper tubes, ASME® Certified
8th Digit = S	Bronze headers, cupronickel tubes, ASME Certified

Part No.	Description
LXi250NN	LXi 250K BTU, N, Cupronickel Exchanger, Polymer Headers
LXi400NN	LXi 400K BTU, N, Cupronickel Exchanger, Polymer Headers
LXi250PN	LXi 250K BTU, P, Cupronickel Exchanger, Polymer Headers
LXi400PN	LXi 400K BTU, P, Cupronickel Exchanger, Polymer Headers
LXi250NC	LXi 250K BTU, N, Bronze Headers with ASME Rating
LXi400NC	LXi 400K BTU, N, Bronze Headers with ASME Rating
LXi250PC	LXi 250K BTU, P, Bronze Headers with ASME Rating
LXi400PC	LXi 400K BTU, P, Bronze Headers with ASME Rating
LXi250NS	LXi 250K BTU, N, Bronze Headers with ASME and Cupronickel Exchanger
LXi400NS	LXi 400K BTU, N, Bronze Headers with ASME and Cupronickel Exchanger
LXi250PS	LXi 250K BTU, P, Bronze Headers with ASME and Cupronickel Exchanger
LXi400PS	LXi 400K BTU, P, Bronze Headers with ASME and Cupronickel Exchanger

See ordering instructions page for complete details.



Legacy™ Heater Features:

LRZE (Electronic)

- Digital control of pool and spa set-points
- Corrosion resistant headers with adjustable bypass
- CPVC 2-2.5" universal union connections

LRZM (Millivolt)

- Easy on/off temperature switch control
- Mechanical thermostat allows the setting of pool or spa temperatures
- CPVC 2-2.5" universal union connections

Part No. Description

Electronic:

LRZ125EN	Legacy, 125K BTU, Digital, Nat, Polymer Headers
LRZ125EP	Legacy, 125K BTU, Digital, LP, Polymer Headers
LRZ175EN	Legacy, 175K BTU, Digital, Nat, Polymer Headers
LRZ175EP	Legacy, 175K BTU, Digital, LP, Polymer Headers
LRZ250EN	Legacy, 250K BTU, Digital, Nat, Polymer Headers
LRZ250EP	Legacy, 250K BTU, Digital, LP, Polymer Headers
LRZ325EN	Legacy, 325K BTU, Digital, Nat, Polymer Headers
LRZ325EP	Legacy, 325K BTU, Digital, LP, Polymer Headers
LRZ400EN	Legacy, 399K BTU, Digital, Nat, Polymer Headers
LRZ400EP	Legacy, 399K BTU, Digital, LP, Polymer Headers

Millivolt:

LRZ125MN	Legacy, 125K BTU, Millivolt, Nat, Polymer Headers
LRZ125MP	Legacy, 125K BTU, Millivolt, LP, Polymer Headers
LRZ175MN	Legacy, 175K BTU, Millivolt, Nat, Polymer Headers
LRZ175MP	Legacy, 175K BTU, Millivolt, LP, Polymer Headers
LRZ250MN	Legacy, 250K BTU, Millivolt, Nat, Polymer Headers
LRZ250MP	Legacy, 250K BTU, Millivolt, LP, Polymer Headers
LRZ325MN	Legacy, 325K BTU, Millivolt, Nat, Polymer Headers
LRZ325MP	Legacy, 325K BTU, Millivolt, LP, Polymer Headers
LRZ400MN	Legacy, 399K BTU, Millivolt, Nat, Polymer Headers
LRZ400MP	Legacy, 399K BTU, Millivolt, LP, Polymer Headers

D-Discontinued

9th Digit = N Cupronickel tubes, polymer headers (Available on Electronic, natural gas, standard altitude models only)

See ordering instructions page for complete details.



Legacy Digital Control
(LRZE Electronic)



Legacy Analog Control
(LRZM MilliVolt)



JXi Vent Adapter

JXi™ Venting Accessories

Part No.	Description
R0731100	JXi 4" Vent Adapter
R0724600	JXi Air Intake Adapter 3"



JXi Air Intake Kit

Drafthood and Ventcap Kits

Drafthood and vent cap kits contain all of the items necessary for proper installation on the Legacy™ LRZE/LRZM heater models.

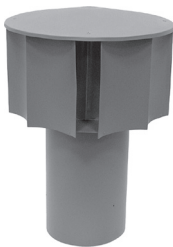
Part No.	Description
R0491601	Outdoor Vent Cap, 125
R0491602	Outdoor Vent Cap, 175
R0491603	Outdoor Vent Cap, 250
R0491604	Outdoor Vent Cap, 325
R0491605	Outdoor Vent Cap, 400
R0499601	Indoor Drafthood, 125
R0499602	Indoor Drafthood, 175
R0499603	Indoor Drafthood, 250
R0499604	Indoor Drafthood, 325
R0499605	Indoor Drafthood, 400



Drafthood Kits

Drafthood and vent cap kits contain all of the items necessary for proper installation on the Lite,™ Series One and Series Two heater models.

Part No.	Description
10561401	Indoor Drafthood Assembly, 125
10561402	Indoor Drafthood Assembly, 175
10561403	Indoor Drafthood Assembly, 250
10561404	Indoor Drafthood Assembly, 325
10561405	Indoor Drafthood Assembly, 400
10561501	Outdoor Vent Cap Assembly, 125
10561502	Outdoor Vent Cap Assembly, 175
10561503	Outdoor Vent Cap Assembly, 250
10561504	Outdoor Vent Cap Assembly, 325
10561505	Outdoor Vent Cap Assembly, 400



Vent Cap Kits

Exchangers

Exchangers (Complete)–Legacy™ LRZE (Polymer Headers)

Part No.	Description
R0470601	Heat Exchanger Assembly (complete), 125
R0470602	Heat Exchanger Assembly (complete), 175
R0470603	Heat Exchanger Assembly (complete), 250
R0470604	Heat Exchanger Assembly (complete), 325
R0470605	Heat Exchanger Assembly (complete), 400
R0500701	Heat Exchanger Assembly (complete), CuNi, 125
R0500702	Heat Exchanger Assembly (complete), CuNi, 175
R0500703	Heat Exchanger Assembly (complete), CuNi, 250
R0500704	Heat Exchanger Assembly (complete), CuNi, 325
R0500705	Heat Exchanger Assembly (complete), CuNi, 400

ASME® Certified Exchangers (Complete)–Legacy LRZE (Bronze Headers)

R0470701	Heat Exchanger Assembly (complete), Bronze, 125
R0470702	Heat Exchanger Assembly (complete), Bronze, 175
R0470703	Heat Exchanger Assembly (complete), Bronze, 250
R0470704	Heat Exchanger Assembly (complete), Bronze, 325
R0470705	Heat Exchanger Assembly (complete), Bronze, 400
R0500801	Heat Exchanger Assembly (complete), Bronze, CuNi (Salt), 125
R0500802	Heat Exchanger Assembly (complete), Bronze, CuNi (Salt), 175
R0500803	Heat Exchanger Assembly (complete), Bronze, CuNi (Salt), 250
R0500804	Heat Exchanger Assembly (complete), Bronze, CuNi (Salt), 325
R0500805	Heat Exchanger Assembly (complete), Bronze, CuNi (Salt), 400

Exchangers (Complete) - Legacy™ LRZM (Polymer Headers)

Part No.	Description
R0470606	Heat Exchanger Assembly (complete), Legacy 125
R0470607	Heat Exchanger Assembly (complete), Legacy 175
R0470608	Heat Exchanger Assembly (complete), Legacy 250
R0470609	Heat Exchanger Assembly (complete), Legacy 325
R0470610	Heat Exchanger Assembly (complete), Legacy 400
R0500706	Heat Exchanger Assembly (complete), CuNi, Legacy 125
R0500707	Heat Exchanger Assembly (complete), CuNi, Legacy 175
R0500708	Heat Exchanger Assembly (complete), CuNi, Legacy 250
R0500709	Heat Exchanger Assembly (complete), CuNi, Legacy 325
R0500710	Heat Exchanger Assembly (complete), CuNi, Legacy 400

ASME® Certified Exchangers (Complete) - Legacy™ LRZM (Bronze Headers)

R0470706	Heat Exchanger Assembly (complete), Bronze, Legacy 125
R0470707	Heat Exchanger Assembly (complete), Bronze, Legacy 175
R0470708	Heat Exchanger Assembly (complete), Bronze, Legacy 250
R0470709	Heat Exchanger Assembly (complete), Bronze, Legacy 325
R0470710	Heat Exchanger Assembly (complete), Bronze, Legacy 400
R0500806	Heat Exchanger Assembly (complete), Bronze, CuNi (Salt), Legacy 125
R0500807	Heat Exchanger Assembly (complete), Bronze, CuNi (Salt), Legacy 175
R0500808	Heat Exchanger Assembly (complete), Bronze, CuNi (Salt), Legacy 250
R0500809	Heat Exchanger Assembly (complete), Bronze, CuNi (Salt), Legacy 325
R0500810	Heat Exchanger Assembly (complete), Bronze, CuNi (Salt), Legacy 400

Exchangers (Complete) - LXi™ (Polymer, Bronze)

R0453303	Heat Exchanger Assembly (complete), Polymer, Cu, LXi 250
R0453304	Heat Exchanger Assembly (complete), Polymer, Cu, LXi 300
R0453305	Heat Exchanger Assembly (complete), Polymer, Cu, LXi 400
R0501003	Heat Exchanger Assembly (complete), Polymer, CuNi, LXi 250
R0501004	Heat Exchanger Assembly (complete), Polymer, CuNi, LXi 300
R0501005	Heat Exchanger Assembly (complete), Polymer, CuNi, LXi 400
R0500503	Heat Exchanger Assembly (complete), Bronze, Copper, LXi 250
R0500504	Heat Exchanger Assembly (complete), Bronze, Copper, LXi 300
R0500505	Heat Exchanger Assembly (complete), Bronze, Copper, LXi 400
R0500603	Heat Exchanger Assembly (complete), Bronze, CuNi (Salt), LXi 250
R0500604	Heat Exchanger Assembly (complete), Bronze, CuNi (Salt), LXi 300
R0500605	Heat Exchanger Assembly (complete), Bronze, CuNi (Salt), LXi 400

Exchangers (Complete) - Series One, Series Two, Lite™, Lite2™ (Cast Iron)

10606401+	Heat Exchanger Assembly (complete), 125
10606402+	Heat Exchanger Assembly (complete), 175
10606403+	Heat Exchanger Assembly (complete), 250
10606404+	Heat Exchanger Assembly (complete), 325
10606405+	Heat Exchanger Assembly (complete), 400

ASME Certified Exchangers (Complete) - Series One, Series Two, Lite, Lite2 (Cast Iron)

Part No.	Description
R0412206	Heat Exchanger Assembly (complete), 2", ASME, 125
R0412207	Heat Exchanger Assembly (complete), 2", ASME, 175
R0412208	Heat Exchanger Assembly (complete), 2", ASME, 250
R0412209	Heat Exchanger Assembly (complete), 2", ASME, 325
R0412210	Heat Exchanger Assembly (complete), 2", ASME, 400

ASME® Certified Exchangers (Complete) - Series One, Series Two, Lite™, Lite2™ (Bronze)

10762106	Heat Exchanger Assembly (complete), 2", ASME Bronze, 125
10762107	Heat Exchanger Assembly (complete), 2", ASME Bronze, 175
10762108	Heat Exchanger Assembly (complete), 2", ASME Bronze, 250
10762109	Heat Exchanger Assembly (complete), 2", ASME Bronze, 325
10762110	Heat Exchanger Assembly (complete), 2", ASME Bronze, 400

Cupronickel Exchangers - Series One, Series Two, Lite, Lite2

R0095601	Heat Exchanger Tube Assembly, 125
R0095602	Heat Exchanger Tube Assembly, 175
R0095603	Heat Exchanger Tube Assembly, 250
R0095604	Heat Exchanger Tube Assembly, 325
R0095605	Heat Exchanger Tube Assembly, 400
10591206	Heat Exchanger Assembly (complete), ASME Bronze Headers, Saltwater, 125
10591207	Heat Exchanger Assembly (complete), ASME Bronze Headers, Saltwater, 175
10591208	Heat Exchanger Assembly (complete), ASME Bronze Headers, Saltwater, 250
10591209	Heat Exchanger Assembly (complete), ASME Bronze Headers, Saltwater, 325
10591210	Heat Exchanger Assembly (complete), ASME Bronze Headers, Saltwater, 400

By-Pass Valve Springs For 1½" (9-tube) Headers

S0061400+	By-pass Spring, White, 125
S0061300+	By-pass Spring, Red, 175
S0061200+	By-pass Spring, Blue, 250
	By-pass Spring, 325
	By-pass Spring, Orange, 400

By-Pass Valve Springs For 2" (9-tube) Headers

S0079900+	By-pass Spring, Purple, 125
S0061400+	By-pass Spring, White, 175
S0061300+	By-pass Spring, Red, 250
S0061200+	By-pass Spring, Blue, 325
S0070100+	By-Pass Spring, Black, 400

Manifolds - Series One, Series Two, Lite,[™] Lite2,[™] Legacy[™]

Part No.	Description
R0469901	Gas Manifold, 125
R0469902	Gas Manifold, 175
R0469903	Gas Manifold, 250
R0469904	Gas Manifold, 325
R0469905	Gas Manifold, 400

Number of orifices required by heater size for different altitudes—Series One, Series Two, Lite, Lite2 ONLY

Heater Size	Quantity of Orifices Required	Natural Gas		Propane Gas	
		Elevation	Part#	Elevation	Part#
125	5 pcs.	0 – 3,000 ft.	L0032200+	0 – 5,000 ft.	L0032900+
175	7 pcs.	3,000 – 6,000 ft.	L0032600+	5,000 – 10,000 ft.	L0032800+
250	10 pcs.	6,000 – 10,000 ft.	L0050300+		
325	13 pcs.				
400	16 pcs.				

Number of orifices required by heater size for different altitudes—Legacy

Natural Gas		Propane Gas	
Elevation	Part#	Elevation	Part#
0 – 3,000 ft.	R0469200	0 – 5,000 ft.	R0469500
3,000 – 6,000 ft.	R0469300	5,000 – 10,000 ft.	R0469600
6,000 – 10,000 ft.	R0469400		

Replacement Tile Kits

(XE, Series One, Series Two with “F” serial #)

Part No.	Description
R0325301	Tile, ALL Four (4) Sides Included, 125
R0325302	Tile, ALL Four (4) Sides Included, 175
R0325303	Tile, ALL Four (4) Sides Included, 250
R0325304	Tile, ALL Four (4) Sides Included, 325
R0325305	Tile, ALL Four (4) Sides Included, 400

(Series Two with “G” serial # only)

R0325401	Tile, ALL Four (4) Sides Included, 125
R0325402	Tile, ALL Four (4) Sides Included, 175
R0325403	Tile, ALL Four (4) Sides Included, 250
R0325404	Tile, ALL Four (4) Sides Included, 325
R0325405	Tile, ALL Four (4) Sides Included, 400

Power Venter Kit, LX[™]/LT[™]

R0386000	LX/LT Lo-NOx Power Venter Kit
----------	-------------------------------

Power Venter Kits, Lite2, LLD, LD, LJ

R0412001	Mighty Vent Kit Assembly indoor, 125-175
R0412003	Mighty Vent Kit Assembly indoor, 250
R0412005	Mighty Vent Kit Assembly indoor, 325-400

LXi™ Heater Sidewall Venting

Part No.	Description	Model No.
Horizontal Venting from Rear of Heater (1 Vent Adapter and 1 Vent Accessory Kit required)		
R0467301	Vent Adapter Kit 5"	LXi250
R0467302	Vent Adapter Kit 5"	LXi300
R0467303	Vent Adapter Kit 6"	LXi400
R0484405	Vent Accessory Kit 5"	LXi250
R0484405	Vent Accessory Kit 5"	LXi300
R0484406	Vent Accessory Kit 6"	LXi400
Vertical to Horizontal Venting from Top of Heater		
R0484301	Vent Adapter Kit 6"	LXi250
R0484302	Vent Adapter Kit 7"	LXi300
R0484303	Vent Adapter Kit 8"	LXi400
R0484406	Vent Accessory Kit 6"	LXi250
R0484407	Vent Accessory Kit 7"	LXi300
R0484408	Vent Accessory Kit 8"	LXi400

Optional Testing Equipment

Part No.	Description
R0010400	Gas Pressure Test Kit (manometer)
R0336000	Temp Rise Measurement, Replacement Kit (Can be used on all heaters — LX™/LT™, Lite2™, LXi, Legacy™, etc.)
R0501500	Orifice Cleaning Kit, LXi

Temperature Controls

The mechanical temperature control originally supplied with some millivolt heaters can be replaced by an electronic millivolt control. Use the original part number, R0058200, for the electronic control. This part contains all the necessary parts to convert the old temperature control to the electronic control. The new electronic control, R0058200, will work on the following models: EG, EPG, ESG, LLG. The mechanical temperature control can be purchased with part number R0318800, and must be used on the following models: EC, EPC, DP.

Pressure Relief Valves

Part No.	Description	Model No.
R0040400	Pressure Relief Valve Kit, 75 PSI, Cast Iron/Bronze Headers	All
R0336100	Pressure Relief Valve Kit, 75 PSI, Polymer Headers, LX/LT, LXi, and Legacy (Also works with cast iron/bronze headers)	All
R0336101	Pressure Relief Valve Kit JXi™	All

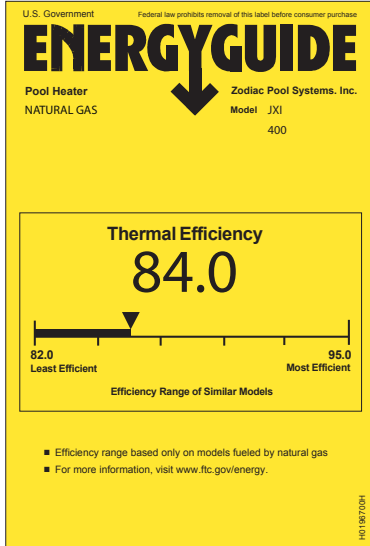
HEATER MODEL NUMBERS

JXi™					
Model	Size	Fuel Type	Heat Exchanger and Headers		Altitude Ratings
JXi	200 260 400	N = Natural Gas P = Propane Gas	Blank = Copper Heat Exchanger; Polymer Header N = Cupronickel Heat Exchanger, Polymer Header K = Copper Heat Exchanger, Polymer Header with VersaFlo™ Factory Installed		JXi heaters are CSA certified for elevations of up to 4,500 ft. (1,372 m.) above sea level. BTU output is reduced about 4% per 1000 ft. (305 m) over 4,500 ft. (1,372 m.). In general, efficiency at high elevations is equal to or better than at sea level.
Hi-E2®					
Model	Size	Fuel Type	Heat Exchanger and Headers		Altitude Ratings
EHE	350	N = Natural Gas P = Propane Gas	B = Copper Heat Exchanger; Bronze Header C = Copper Heat Exchanger; Bronze Header (ASME)® S = Cupronickel Heat Exchanger; Bronze Header (ASME)		Hi-E2 heaters do not require modification to operate at high elevations. BTU output is reduced about 3% per 1,000 ft. (305 m.) above sea level. In general, efficiency at high elevation is equal to or better than at sea level.
LXi™					
Model	Size	Fuel Type	Heat Exchanger and Headers		Altitude Ratings
LXi	250 400	N = Natural Gas P = Propane Gas	Blank = Copper Heat Exchanger; Polymer Header N = Cupronickel Heat Exchanger; Polymer Header C = Copper Heat Exchanger; Bronze Header (ASME) S = Cupronickel Heat Exchanger; Bronze Header (ASME)		LXi Models can be installed at all elevations, but may require minor adjustments to operate correctly at high elevations. See heater installation manual for instructions.
Legacy™ Models E and M					
Model	Size	Ignition	Fuel Type	Heat Exchanger and Headers	Altitude Ratings
LRZ	125 175 250 325 400	E = Electronic M = Millivolt	N = Natural Gas P = Propane Gas	Blank = Copper Heat Exchanger; Polymer Header N = Cupronickel Heat Exchanger; Polymer Header	Blank = 0 (sea level) – 3,000 ft. (Natural Gas) 0 (sea level) – 3,000 ft. (Propane Gas) H = 3,000 – 6,000 ft. (Natural Gas Only)

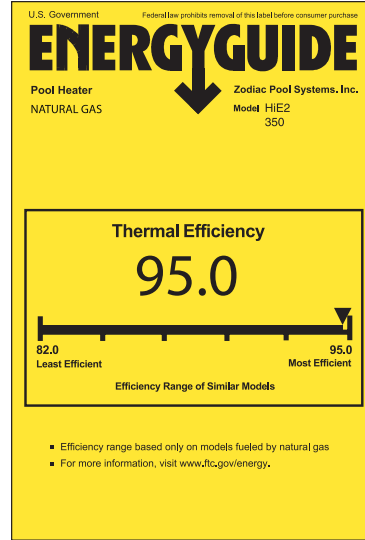
ENERGY GUIDE LABELS

JXi™ 84%

JXi400NK, JXi400N, JXi400P, JXi260N and JXi260P

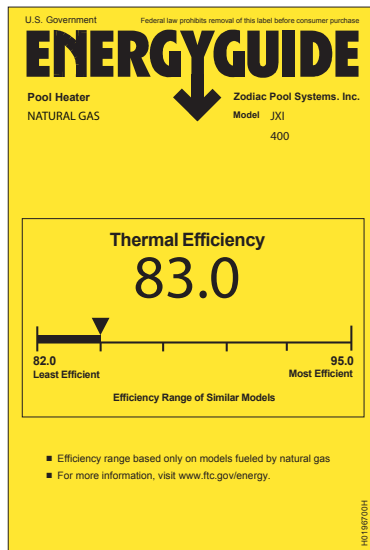


Hi-E2®

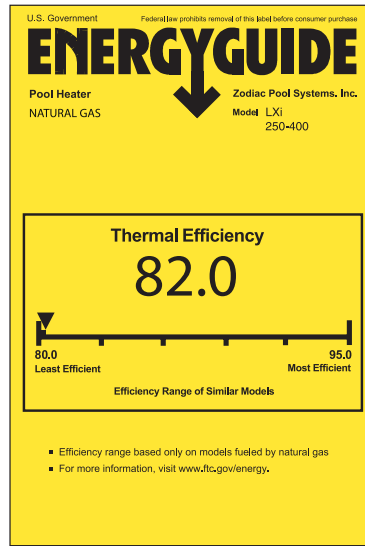


JXi 83%

JXi400NN, JXi400PN, JXi200N and JXi200P



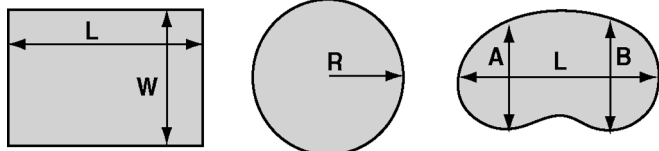
LXi™



HEATER SELECTION GUIDE

POOL SIZING

1. Calculate the pool's surface area in square feet.



Area = L x W Area = R x R x 3.14 Area = (A + B) x L x .45

2. Calculate the design temperature difference.
(Round up to 5 degree increment)

(Typical Water Temp) — (Average Outdoor Temp while using heater)

3. Locate the temperature difference in Pool Heater chart below.
4. Move right to find the surface area that is equal to or slightly greater than the area calculated in step 1.
5. Move up to find the recommended heater size based on pool size and temperature difference.

SPA SIZING

1. Calculate the spa capacity in U.S. Gallons (surface area) x (average depth) x 7.5
2. Locate the spa size in the spa heater chart below that is equal to or slightly greater than the capacity calculated in step one.
3. Move right to find the desired time required to raise the spa water 30°F.
4. Move up to find the required heater size for the chosen time.

Notes: This chart can be adjusted for other temperature rises. For example if you desire a 15°F increase in temperature, simply divide the times in the chart below by 2.

Heat losses to air and/or heat absorbed by spa walls or other objects will affect and add to the heat up times listed in this chart.

Spa sizing times in chart below are based on insulated and covered spa. Always cover your spa when not in use to minimize heat loss and evaporation.

HEATER SIZING CHART

POOL HEATER

Model	125		175		250		325		400	
Temp Diff*	Maximum Area Heater (width x length)									
	0 Wind	3 ½ MPH	0 Wind	3 ½ MPH	0 Wind	3 ½ MPH	0 Wind	3 ½ MPH	0 Wind	3 ½ MPH
15°F	875	675	1250	925	1775	1325	2300	1725	2850	2125
20°F	675	500	925	700	1325	1000	1725	1300	2125	1600
25°F	525	400	750	550	1075	800	1400	1050	1700	1300
30°F	450	325	625	475	900	700	1250	875	1425	1075
35°F	400	300	550	400	775	575	1000	750	1225	900

SPA HEATER

Model	125		175		250		325		400	
Spa Size	Time Required to Raise Temp 30°									
	200 Gallons	30 Minutes	25 Minutes	20 Minutes	15 Minutes	10 Minutes				
400 Gallons	60 Minutes	45 Minutes	30 Minutes	25 Minutes	20 Minutes					
600 Gallons	90 Minutes	65 Minutes	45 Minutes	35 Minutes	30 Minutes					
800 Gallons	120 Minutes	90 Minutes	60 Minutes	50 Minutes	40 Minutes					
1000 Gallons	150 Minutes	110 Minutes	75 Minutes	60 Minutes	50 Minutes					

Natural gas pipe size requirements on next page ▶

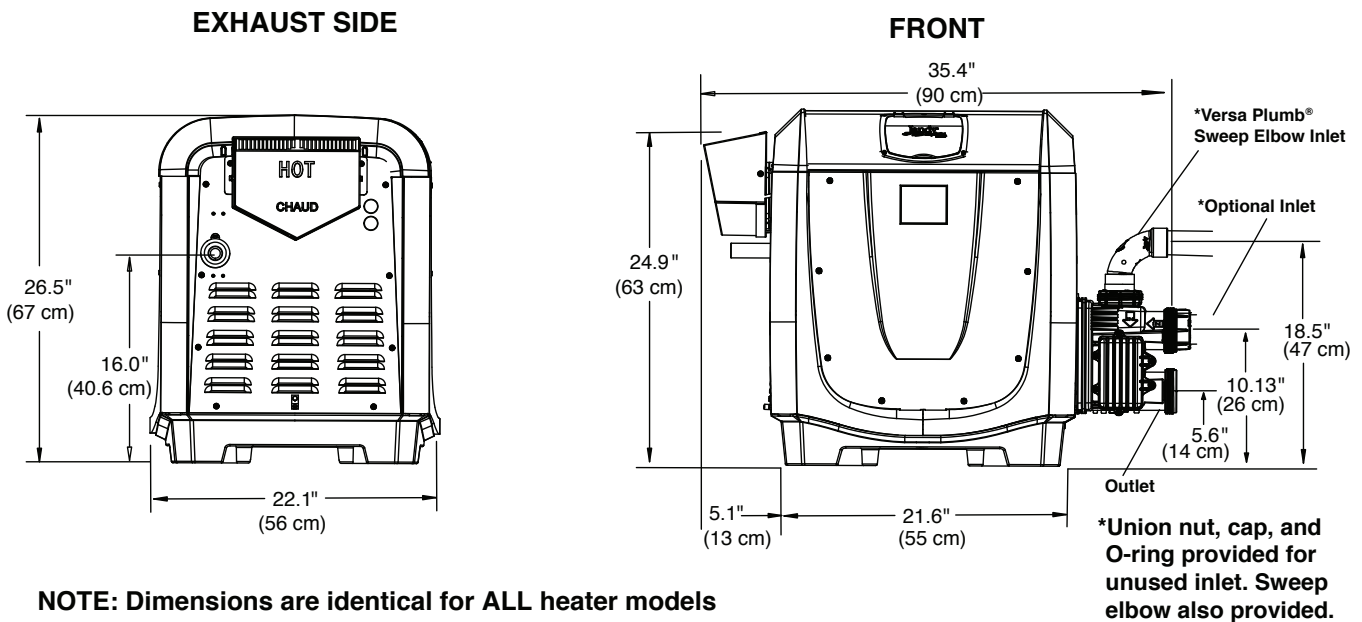
Natural Gas Pipe Size Requirements

Model	Maximum Equivalent Pipe Length									
	Natural Gas at 1035 btu per cubic foot									
	Propane Gas at 2516 btu per cubic foot									
	3/4"		1"		1-1/4"		1-1/2"		2"	
	NG	LP	NG	LP	NG	LP	NG	LP	NG	LP
JXi400	5 ft	20 ft	30 ft	60 ft	110 ft	260 ft	230 ft	560 ft	600 ft	600 ft
JXi260	15 ft	40 ft	60 ft	150 ft	230 ft	590 ft	490 ft	600 ft	600 ft	
JXi200	30 ft	70 ft	100 ft	240 ft	380 ft	600 ft	600 ft			

Notes:

- Numbers are for natural gas (0.65 Sp. Gr.) based on 1/2 inch (3.45 kPa) water column pressure drop. Check supply pressure with a manometer, and local code requirements for variations.
- Check supply pressure and local code requirements before proceeding with installation.
- Consider pipe fittings when determining gas pipe sizing. For every elbow used add three (3) feet to straight pipe length.
- Table shows the minimum supply gas pipe size required. Larger pipe size can be used if required by local code or if desired.
- It is critical that the incoming gas supply pressure at the heater is within the maximum and minimum pressure requirements. If the range of acceptable supply pressure is not provided, the gas supply system to the heater must be modified to meet pressure requirements.

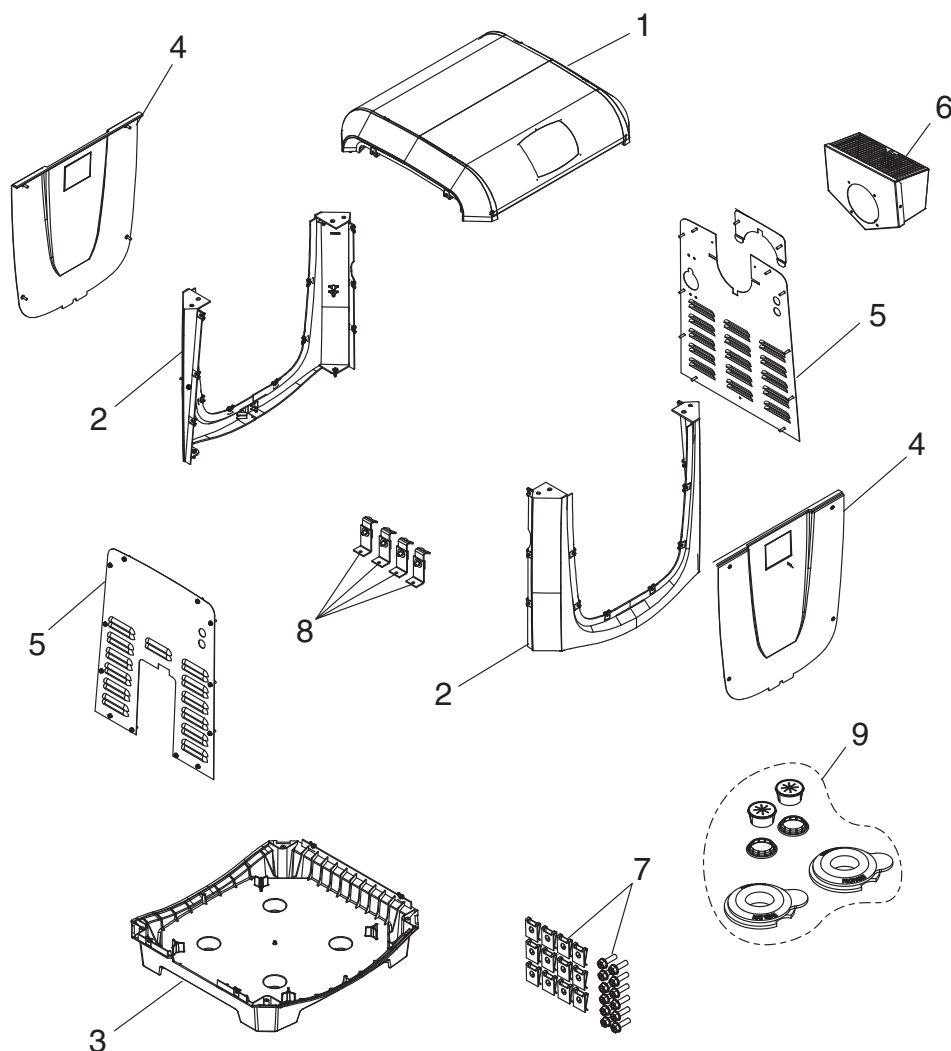
Specifications and Dimensions for JXi Series Heaters



NOTE: Dimensions are identical for ALL heater models

Specifications and Dimensions, JXi Series Heaters						
Model	Vent Diameter (Category I)		Vent Diameter (Category III)		Firing Rate	
	in.	cm	in.	cm	BTU/HR	kcal
200	6	15	4	10	200,000	50
260	7	18	4	10	260,000	66
400	8	20	4	10	399,000	101

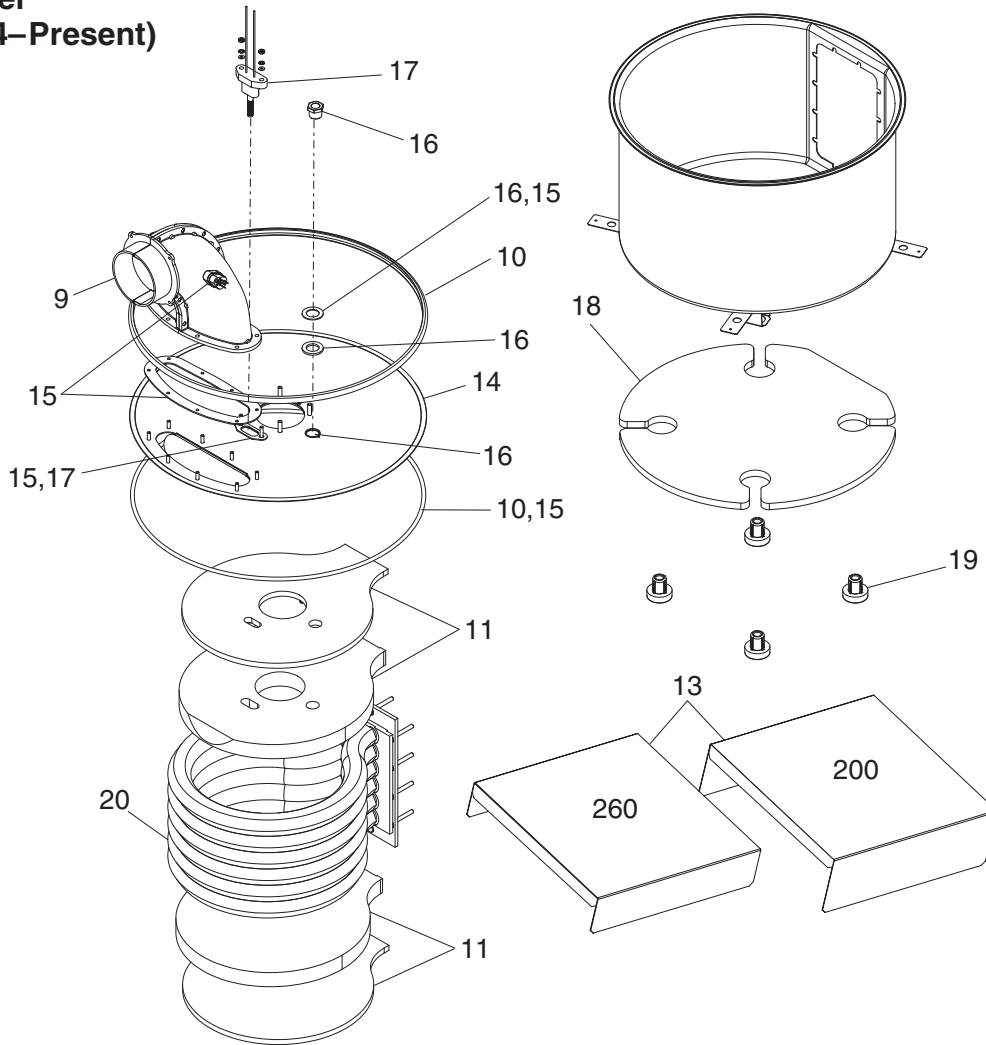
JXi™ Heater (Mfg. 2014–Present)



Key No.	Part No.	Description	Model No.
1	R0592400	Heater Jacket Top (No User Interface)	200, 260, 400
2	R0592500	Corner Posts, Heater Jacket, 4/PK	200, 260, 400
3	R0592600	Heater Base Replacement Kit	200, 260, 400
4	R0592700	Front/Back Panel, Heater Jacket	200, 260, 400
5	R0592900	Side Panel Kit, 2/PK	200, 260, 400
6	R0593100	Vent Terminal Housing Kit	200, 260, 400
N/S	R0593200	Brackets and Isolator kit	200, 260, 400
7	R0593300	Jacket Hardware Kit (Nuts, Screws & Clips)	200, 260, 400
8	R0593400	Anchor Brackets	200, 260, 400
9	R0591800	Gas Inlet and Electric Hole Plug Kit	200, 260, 400

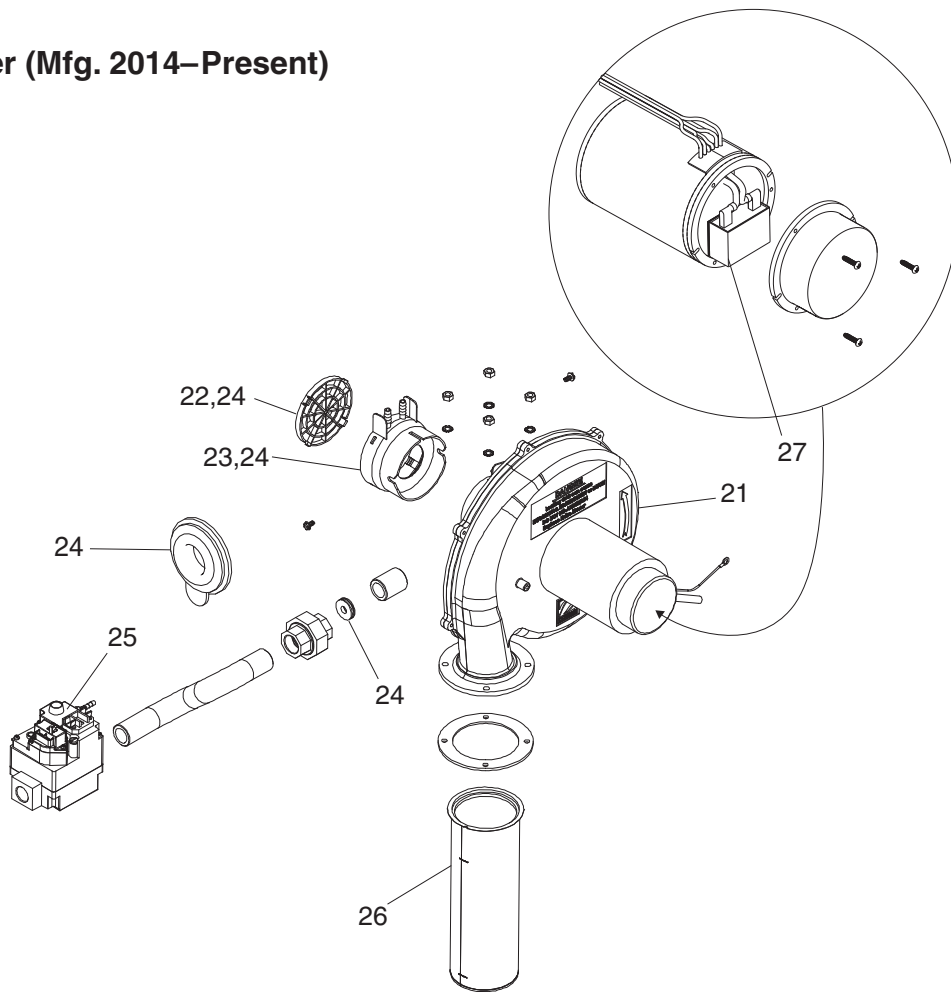
N/S-Not shown

JXi™ Heater (Mfg. 2014–Present)



Key No.	Part No.	Description	Model No.
9	R0590200	Exhaust Elbow Assembly	200, 260, 400
10	R0590400	Band Clamp Replacement Kit	200, 260, 400
11	R0590500	Refractory Replacement Kit, Internal	200, 260, 400
13	R0590700	Combustion Chamber Shelf Kit	200, 260
14	R0590800	Combustion Chamber Lid (Gaskets and O-rings)	200, 260, 400
15	R0590900	Gasket Kit	200, 260, 400
16	R0305400	Sight Glass Kit	200, 260, 400
17	R0457502	Ignitor Kit	200, 260, 400
18	R0591000	Refractory Replacement Kit, External	200, 260, 400
19	R0593200	Isolator Kit	200, 260, 400
20	R0589405	Heat Exchanger Tube Replacement (400k)	400
20	R0589403	Heat Exchanger Tube Replacement (260k)	260
20	R0589402	Heat Exchanger Tube Replacement (200k)	200

JXi™ Heater (Mfg. 2014–Present)



Key No.	Part No.	Description	Model No.
21	R0591100	Blower Assembly	200, 260, 400
22	R0591200	Air Intake Grate	200, 260, 400
23	R0591302	Orifice, Blower Air Intake Lit, 200N	200
23	R0591303	Orifice, Blower Air Intake Lit, 260N	260
23	R0591305	Orifice, Blower Air Intake Lit, 400N	400
23	R0591312	Orifice, Blower Air Intake Lit, 200P	200
23	R0591313	Orifice, Blower Air Intake Lit, 260P	260
23	R0591315	Orifice, Blower Air Intake Lit, 400P	400
24	R0591601	Gas Orifice Kit, 200, NAT	200
24	R0591602	Gas Orifice Kit, 260, NAT	260
24	R0591604	Gas Orifice Kit, 400, NAT	400
24	R0591605	Gas Orifice Kit, 200, LP	200
24	R0591606	Gas Orifice Kit, 260, LP	260
24	R0591608	Gas Orifice Kit, 400, LP	400
25	R0591400	Gas Valve	200, 260, 400
26	R0591702	Burner Gas Supply System Kit, 200	200
26	R0591703	Burner Gas Supply System Kit, 260	260
26	R0591705	Burner Gas Supply System Kit, 400	400
27	R0614500	Capacitor Blower, JXi Kit	200, 260, 400

Pumps

Filters

Heaters

Heat Pumps

Automation

Water Leveling

Water Sanitizers

Valves

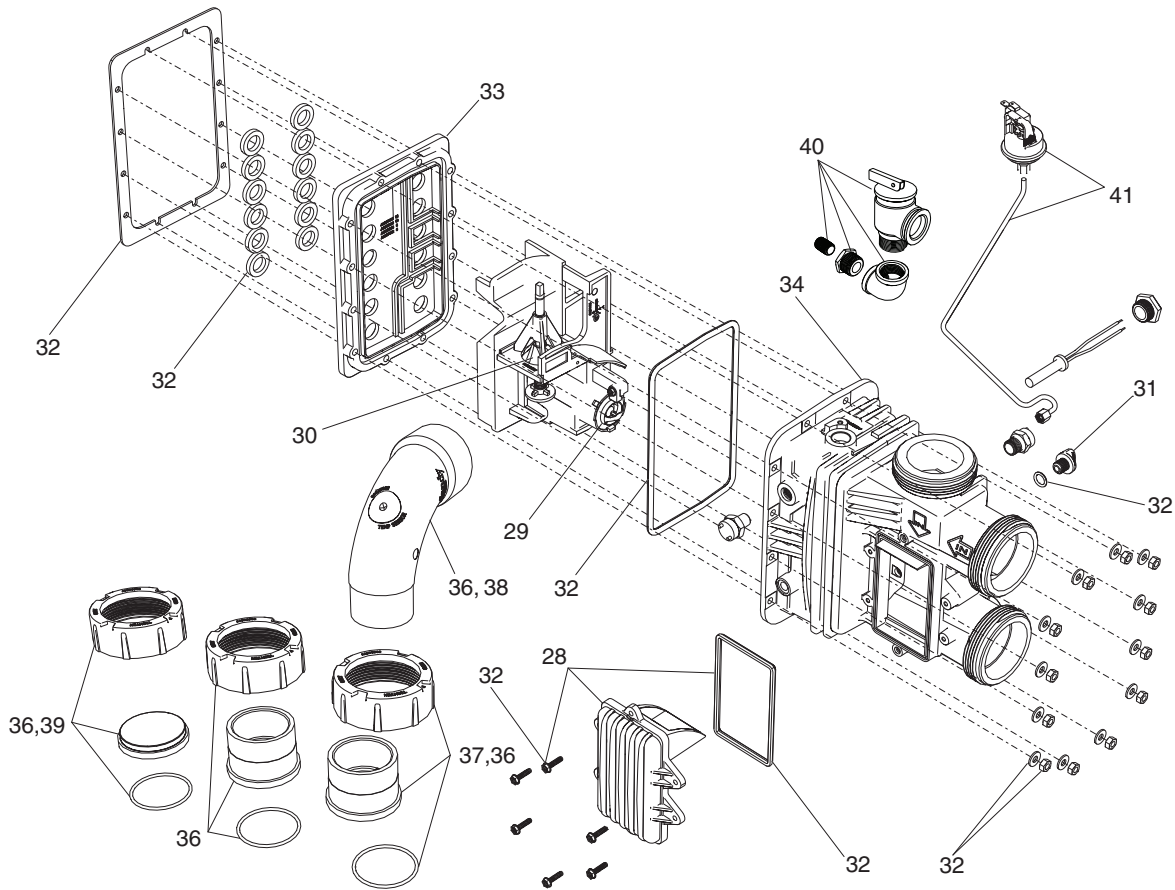
Water Designs

Lighting

Cleaners

Accessories

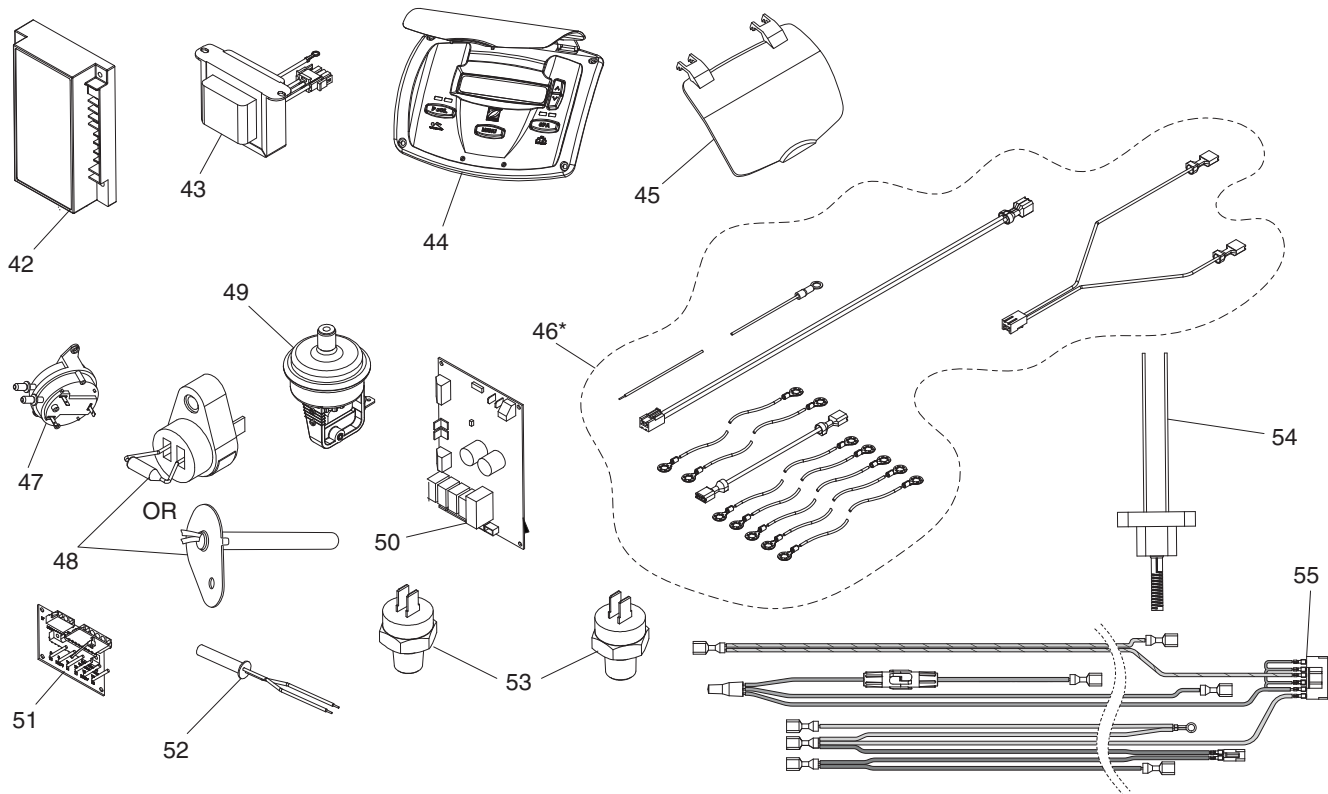
JXi™ Heater (Mfg. 2014–Present)



Key No.	Part No.	Description	Model No.	
28	R0589600	Access Door Kit (Door, O-ring Seal, Screws)	200, 260, 400	
29	R0589700	Thermal Regulator Valve	200, 260, 400	
30	R0589800	Bypass Kit (Shaft, Spring, C-clip, Poppet)	200, 260, 400	
31	R0446000	Drain Plug	200, 260, 400	
32	R0589500	Gasket & Seals Kit (Heater Manifold)	200, 260, 400	
33	R0590005	Manifold Backplate, JXi 400	400	
33	R0590003	Manifold Backplate, JXi 260	260	
33	R0590002	Manifold Backplate, JXi 200	200	
34	R0590100	Manifold, Heater 3 Port (No Backplate)	200, 260, 400	
36	R0593500	Goody Bag Kit†	200, 260, 400	
37	R0522900	Universal Half Unions, 1/PK	200, 260, 400	
38	SEAQL1001	Sweep Elbow Aqualink® Temp	200, 260, 400	
39	R0523000	Drain Cap Assembly	200, 260, 400	
40	R0336101	Pressure Relief Valve JXi Replacement Kit	200, 260, 400	
41	R0457001	Pressure Switch w/Siphon Loop Kit	200, 260, 400	

† Goody Bag Kit also includes the Installation and Operation Manual and the Universal Controller Quick Guide

JXi™ Heater (Mfg. 2014–Present)



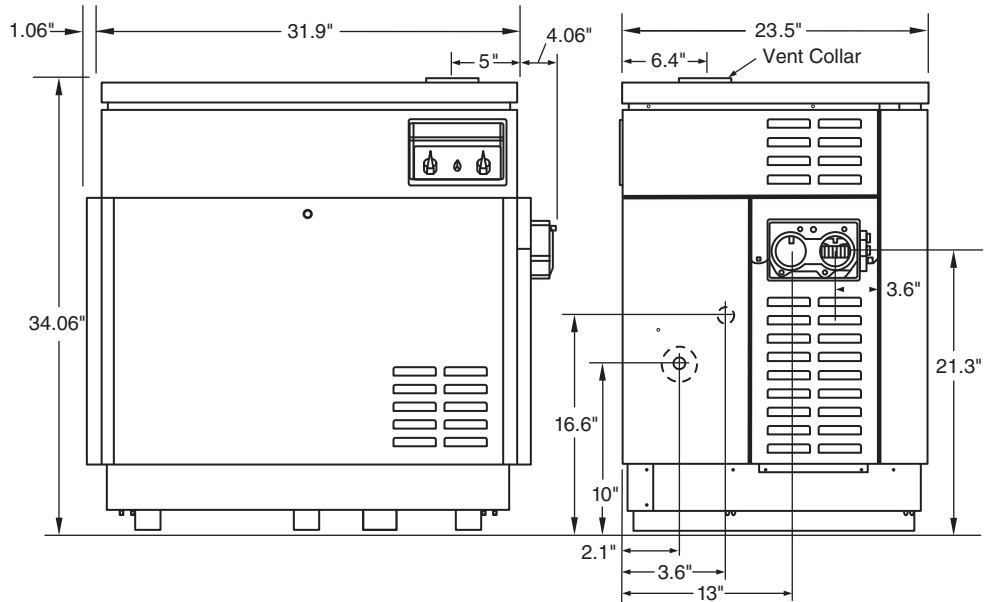
Key No.	Part No.	Description	Model No.
42	R0456900	Ignition Control	200, 260, 400
43	R0456301	Transformer	200, 260, 400
44	R0591900	User Interface Kit	200, 260, 400
45	R0592000	User Interface Lid Kit	200, 260, 400
46	R0592100	Wiring Harness Kit	200, 260, 400
47	R0456400	Air Pressure Switch	200, 260, 400
48	R0524300	Vent Limit Switch - JXi Rev G* and Earlier	200, 260, 400
48	R0719400	Electronic Flue Sensor - JXi Rev H* and Later**	200, 260, 400
49	R0013200	Water Pressure Switch Only Kit	200, 260, 400
50	R0458200	Power Interface Board (PIB) - JXi Rev G* and Earlier	200, 260, 400
50	R0719500	Power Interface Board (PIB) - JXi Rev H* and Later**	200, 260, 400
51	R0458100	Power Distribution Board (PDB)	200, 260, 400
52	R0456500	Temperature Sensor Kit	200, 260, 400
53	R0592300	High Limit Temp Sensors	200, 260, 400
54	R0457502	Igniter Kit, JXi	200, 260, 400
55	R0457700	Power Interface Harness	200, 260, 400

* The JXi Revision can be identified by the first letter of the serial number found on the heater rating plate.

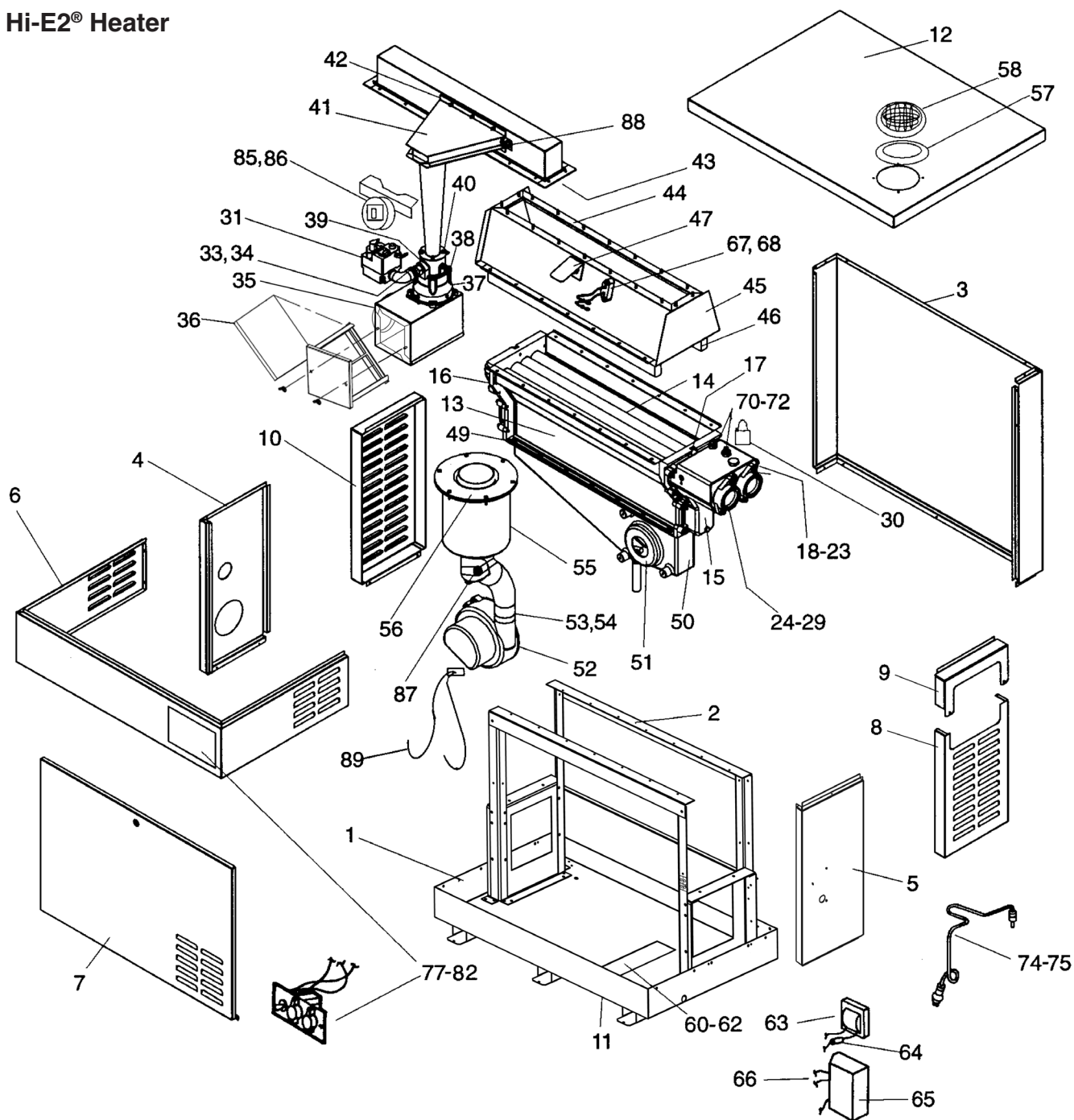
** To install on Rev G and Earlier JXi heaters, R0719400 and R0719500 Must Be Replaced together.

Specifications and Dimensions for Hi-E2® Series Heaters

Specifications and Dimensions, Hi-E2 Series Heaters	
Model	350
Input BTUs	350,000
Shipping Weight (lbs.)	252



Hi-E2® Heater



Key No.	Part No.	Description	Model No.
	R0306200	Limestone Gravel (Condensate Neutralizer)	All
JACKET ASSEMBLY			
1	R0347103	Base Panel	220
1	R0347105	Base Panel	350
2	R0301503	Frame Support Assembly	220
2	R0301505	Frame Support Assembly	350
3	R0347203	Back Panel	220

Key No.	Part No.	Description	Model No.
3	R0347205	Back Panel	350
4	R0347300	Left Side Panel	All
5	R0347400	Right Side Panel	All
6	R0347503	Temperature Control Panel Assembly	220
6	R0347505	Temperature Control Panel Assembly	350
7	R0347603	Door	220
7	R0347605	Door	350
8	R0347700	Inlet/Outlet Header Panel	All

Continued on next page.

Hi-E2® Heater Parts list for Hi-E2 Heater diagram on page 111.

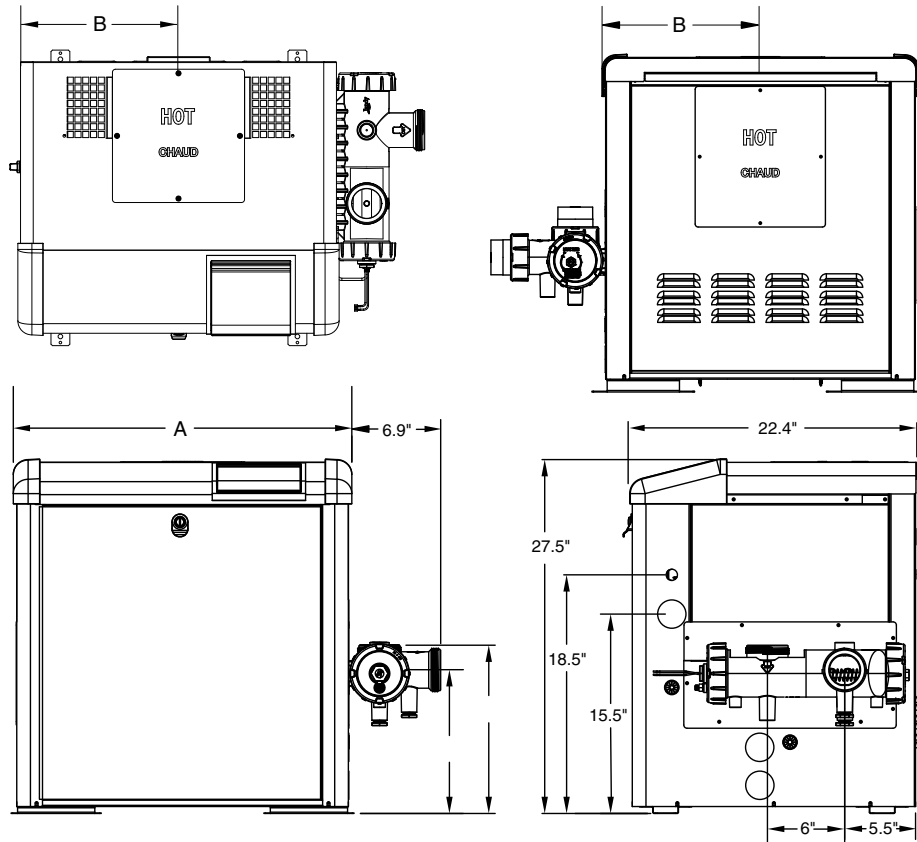
Key No.	Part No.	Description	Model No.
JACKET ASSEMBLY (CONTINUED)			
9	R0347800	Right Top Side Panel	All
10	R0347900	Return Header Panel	All
11	R0348003	Front Kick Panel	220
11	R0348005	Front Kick Panel	350
12	R0348105	Top Panel, Pewter Only	350
N/S	R0302100	Jacket Hardware Kit (Note 1)	All
N/S	R0302500	Internal Hardware Kit (Note 1)	All
WATER SYSTEM			
13	R0303805	Heat Exchanger Assembly, Complete	350
N/S	R0523705	Heat Exch. Assembly Complete, ASME®	350
15	R0303900	Inlet/Outlet Header	All
16	R0304000	Return Header	All
17	R0304300	Gasket, Header	All
18	R0304400	By-Pass Valve Assembly	All
19	R0054901	Flow Control Cap	All
20	R0011400	By-Pass Valve Gasket	All
21	R0304500	By-Pass Valve Spring	All
22	R0304900	By-Pass Valve Rod	All
23	R0011500	By-Pass Valve Disk	
24	R0055000	Flange & Gasket Assembly, 2", 2/PK	All
25	10573500+	Flange, 2"	All
26	S0078000+	Flange Gasket, 2"	All
27	S0078200+	Flange Sleeve, 2"	All
28	R0477600	Flange Bolt Superseded by R0461500	All
29	S0078100+	Flange Gasket 1½-2"	All
30	R0040400	Pressure Relief Valve, 75 PSI (Requires field supplied ¾" NPT x 3" brass nipple)	All
N/S	R0319105	Heat Exchanger Hardware Kit (Note 1)	350
N/S	R0319300	Inlet/Outlet Header Hardware Kit (Note 1)	All
N/S	R0319200	Return Header Hardware Kit (Note 1)	All
COMBUSTION SYSTEM ASSEMBLY			
31	R0200100	Gas Valve	All
N/S	R0348500	Anti-Rotation Bracket	All
33	R0320000	Orifice Holder	All
34	R0309303	Gas Orifice, NAT	220
34	R0309305	Gas Orifice, NAT	350
34	R0309403	Gas Orifice, LPG	220
34	R0309405	Gas Orifice, LPG	350
35	R0348200	Combustion Air Filter Assembly	All
36	R0308000	Combustion Air Filter	All
37	R0320303	Venturi Inlet	220
37	R0320305	Venturi Inlet	350
38	R0320400	Venturi O-ring	All
39	R0320500	Venturi Plenum	All
40	R0320600	Venturi/Tailpipe Gasket	All
41	R0348300	Mixing Chamber/Tailpipe Assembly	All
42	R0320800	Mixing Chamber/Burner Gasket	All
43	R0305903	Burner Assembly	220
43	R0305905	Burner Assembly	350
44	R0305803	Burner/Combustion Chamber Gasket	220
44	R0305805	Burner/Combustion Chamber Gasket	350
45	R0305103	Combustion Chamber Assembly	220
45	R0305105	Combustion Chamber Assembly	350
46	R0305303	Refractory Tile Set	220
46	R0305305	Refractory Tile Set	350
47	R0305400	Sight Glass Assembly	All
48	R0213103	Combustion Chamber Strip Set	220
48	R0213105	Combustion Chamber Strip Set	350
49	R0305703	Combustion Chamber/Collector Gasket	220

Key No.	Part No.	Description	Model No.
COMBUSTION SYSTEM ASSEMBLY (CONTINUED)			
49	R0305705	Combustion Chamber/Collector Gasket	350
N/S	R0322200	Venturi Hardware Kit (Note 1)	All
N/S	R0322100	Mixing Chamber Hardware Kit (Note 1)	All
N/S	R0319403	Burner Hardware Kit (Note 1)	220
N/S	R0319405	Burner Hardware Kit (Note 1)	350
EXHAUST ASSEMBLY			
50	R0303203	Collector	220
50	R0303205	Collector	350
51	R0308700	Blower/Collector Gasket	All
52	R0308200	Combustion Blower	All
53	R0308600	Blower/Vent Duct Sleeve	All
54	R0308800	Blower/Vent Duct Clamp	All
55	R0303100	Vent Duct Assembly	All
56	R0309100	Vent Duct/Heater Top Gasket or Heater Top/Indoor Vent Collar Gasket	All
57	R0309500	Heater Top/Outdoor Exhaust Grill Gasket	All
58	R0348400	Outdoor Exhaust Grille	All
N/S	R0307900	Indoor Vent Collar	All
60	R0303300	Condensate Trap Assembly and Tube Drain	All
61	R0306200	Limestone Gravel	All
ELECTRICAL COMPONENTS AND CONTROLS			
63	R0061100	Transformer	All
64	R0325600	In-Line Fuse Holder Assembly	All
65	R0202900	Ignition Control	All
66	R0302700	Wire Harness, Ignition Control	All
67	R0016400	Igniter Assembly	All
68	R0205300	Igniter Gasket	All
70	R0322700	High-Limit Switch/Harness Set	All
74	R0322900	Pressure Switch and Syphon Loop Assembly	All
75	R0013200	Pressure Switch, 2 PSI	All
77	R0011700	Temperature Control Assembly, Electronic	All
N/S	R0011800	Temperature Sensor	All
80	10444900+	Temperature Sensor Plastic Sleeve	All
81	R0010700	Temperature Control Knob	All
82	R0099900	Pool/Spa Selector Knob	All
85	R0302000	Differential Pressure Switch	All
86	R0302200	Differential Pressure Switch Bracket	All
87	R0309000	Exhaust Vent Limit Switch	All
87	R0461600	Exhaust Vent Limit Switch, Salt Water (180F)	All
88	R0319700	Burner High Limit Switch	All
89	R0308100	Combustion Blower Wire Harness	All
OPTIONAL COMPONENTS			
N/S	E0120000	3-Wire Harness, Remote Control	All
N/S	X0021100	Touch Up Spray Paint, Black and Pewter	All
N/S	R0322800	High Temperature Silicone Sealant	All
N/S	R0337300	Regulator Stepdown	All
N/S	R0444900	4" Venting Connector	350

Notes:

1. All hardware sets contain all pieces necessary for assembly, including gaskets.
 2. Use Kit #R0322700
 3. Use Kit #R0303300
- N/S-Not Shown N/A-Not Available

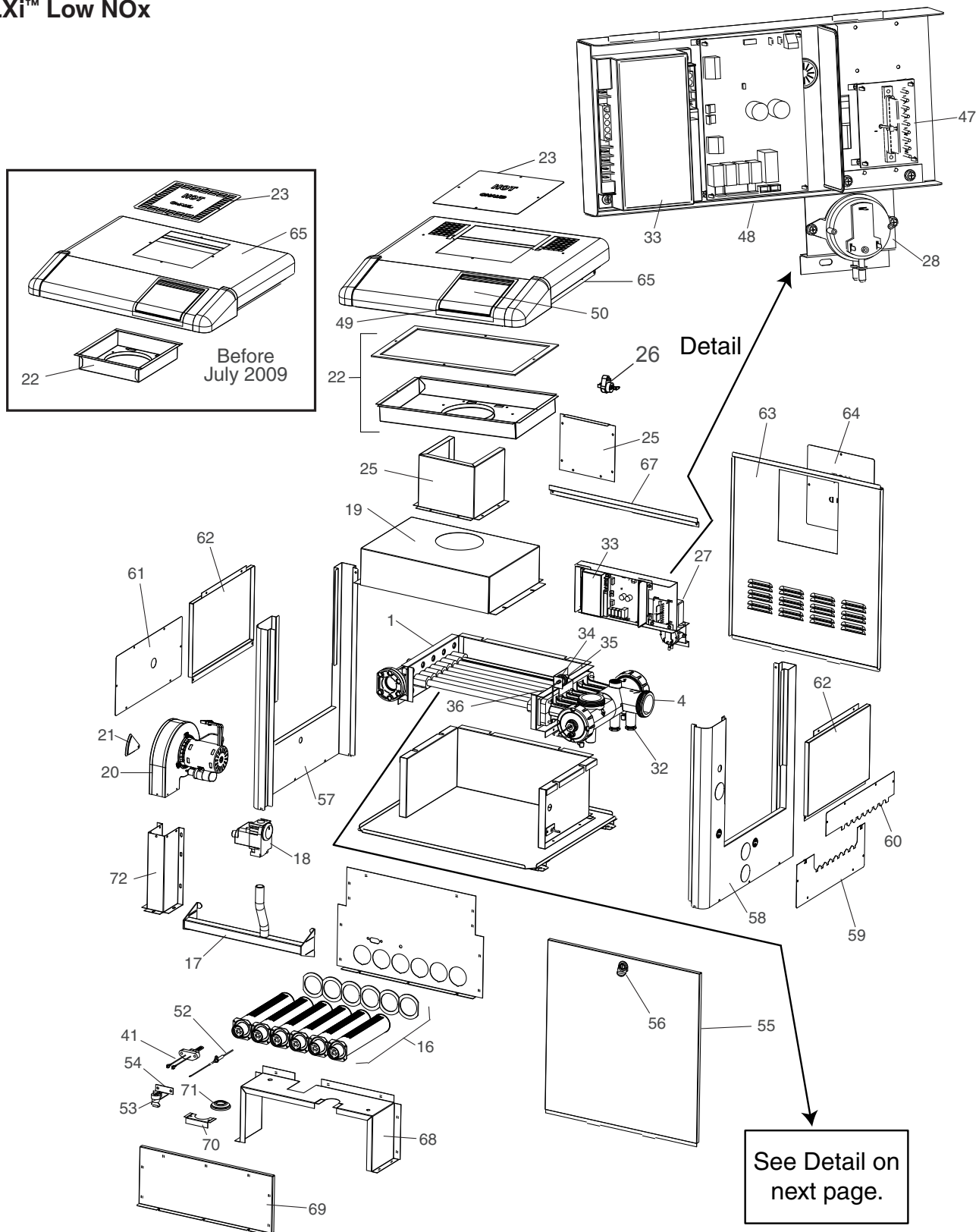
Specifications and Dimensions for LXi™ Series Heaters



Specifications and Dimensions, LXi Series Heaters

Model	Heater Width Dim "A"		Heater Side to Mid-Vent		Vent Diameter (Category I)		Firing Rate		Heater Vent Location Dim "B"	
	in.	cm	in.	cm	in.	cm	BTU/HR	kcal	in.	cm
250	23.5	59.7	10.5	26.7	6	15.2	250,000	63	10.5	26.7
400	32.0	81.3	15.6	39.7	8	20.3	399,000	101	15.6	39.6

LXi™ Low NOx

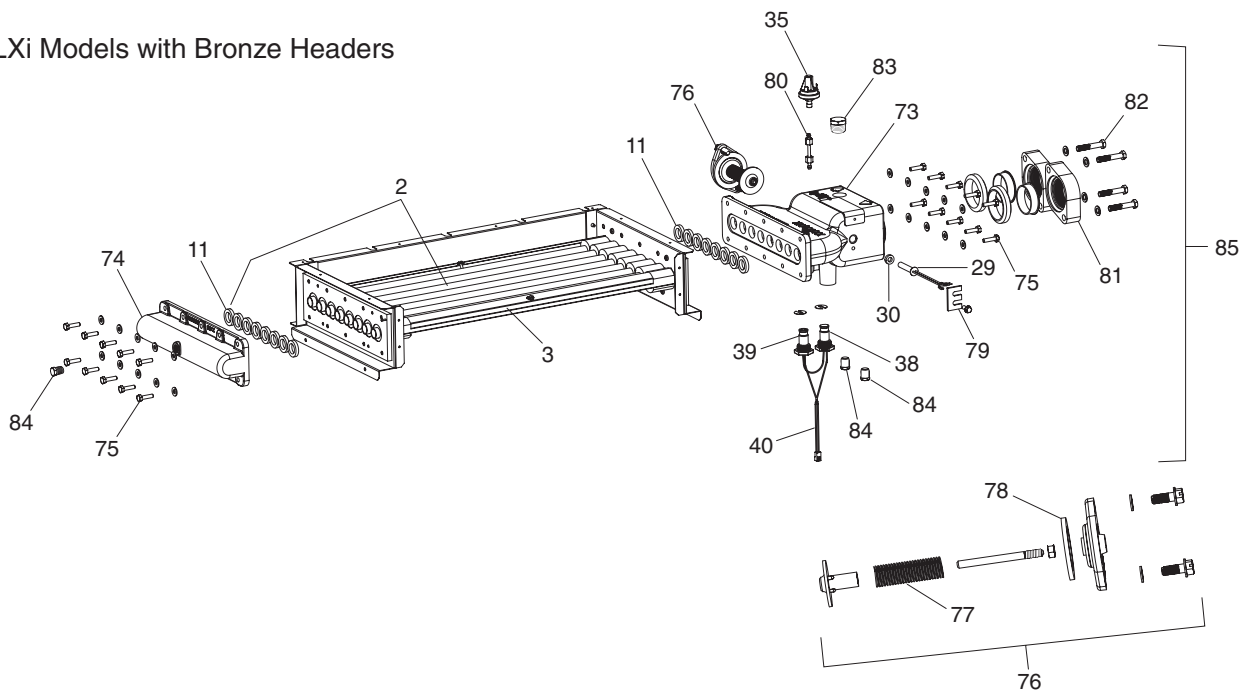


See Detail on next page.

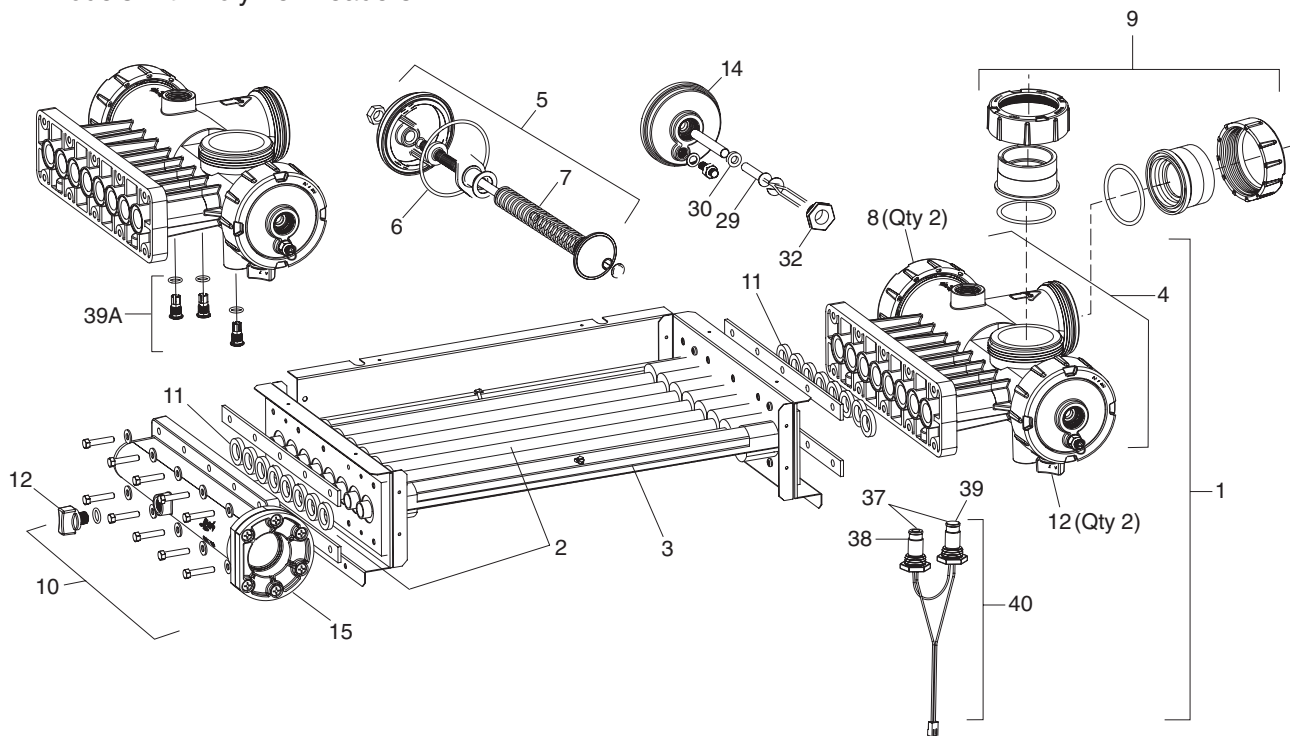
Parts Listing starts on page 116

LXi™ Low NOx

LXi Models with Bronze Headers



LXi Models with Polymer Headers



Parts Listing starts on page 116.

LXi™ Low NOx Diagram for LXi Low NOx Heater on pages 114–115.

Key No.	Part No.	Description	Model No.
HEAT EXCHANGER COMPONENTS			
1	R0453303	Complete Heat Exch. (Polymer/Copper)	250
1	R0453304	Complete Heat Exch. (Polymer/Copper)	300
1	R0453305	Complete Heat Exch. (Polymer/Copper)	400
2	R0453403	Tube Assembly (Cu), w/ Hardware and Gaskets	250
2	R0453406	Tube Assembly (Cu), w/ Hardware and Gaskets	300
2	R0453405	Tube Assembly (Cu), w/ Hardware and Gaskets	400
2	R0477003	LXi ASME® Certified Heat Exch. Tube Assembly, CuNi	250
2	R0477006	LXi ASME Certified Heat Exch. Tube Assembly, CuNi	300
2	R0477005	LXi ASME Certified Heat Exch. Tube Assembly, CuNi	400
3	R0453503	Heat Exchanger End Baffles	250
3	R0453504	Heat Exchanger End Baffles	300
3	R0453505	Heat Exchanger End Baffles	400
4	R0453600	Front Header, w/ Hardware and Gaskets	All
5	R0453700	Complete Hardware and O-ring, By-Pass	All
6	R0453800	Bypass Assembly w/ O-ring	All
7	R0453900	Spring, Bypass	All
8	R0454000	3" Coupling Nut Kit, w/ O-ring, 2/PK	All
9	R0449000	Tailpiece w/ Union Nut, 2/PK Polymer	All
N/S	R0454100	O-ring, Coupling, 2/PK	All
10	R0454200	Rear Header, w/ Hardware and Gaskets	All
11	R0454300	Gasket, Header (front or rear), 16/PK	All
12	R0446000	Header Drain Plug w/ O-ring, 2/PK	All
N/S	R0454500	Heat Exchanger Hardware Kit and Gaskets	All
14	R0455400	Cap Sensor/Press Switch O-ring	All
15	R0454600	Return Header Cap and O-ring	All
N/S	R0501003	Complete HX Assembly, Polymer, CuNi	250
N/S	R0501004	Complete HX Assembly, Polymer, CuNi	300
N/S	R0501005	Complete HX Assembly, Polymer, CuNi	400
GAS COMPONENTS			
16	R0454700	Burner w/ Gasket	All
16	R0454701	Burner w/ Tap and Gasket	All
17	R0454803	Manifold, Gas, Nat. (Low Altitude)	250
17	R0454804	Manifold, Gas, Nat. (Low Altitude)	300
17	R0454805	Manifold, Gas, Nat. (Low Altitude)	400
**17	R0455003	Manifold, Gas, LP (Low Altitude)	250
**17	R0455004	Manifold, Gas, LP (Low Altitude)	300
**17	R0455005	Manifold, Gas, LP (Low Altitude)	400

N/S-Not Shown

Key No.	Part No.	Description	Model No.
GAS COMPONENTS (CONTINUED)			
18	R0455200	Gas Valve Nat w/ Street Elbow	All
18	R0455300	Gas Valve LP w/ Street Elbow	All
EXHAUST SYSTEM			
19	R0455503	Flue Collector w/ Gaskets	250
19	R0455504	Flue Collector w/ Gaskets	300
19	R0455505	Flue Collector w/ Gaskets	400
20	R0455600	Blower Assembly w/ Gasket	All
21	R0455700	Air Orifice Adjust Bracket	All
22	R0455803	Flue Vent Assembly w/ Gasket (Before 7-2009)	250
22	R0455804	Flue Vent Assembly w/ Gasket (Before 7-2009)	300
22	R0455805	Flue Vent Assembly w/ Gasket (Before 7-2009)	400
22	R0495503	Flue Vent Assembly w/ Gasket (After 7-2009)	250
22	R0495504	Flue Vent Assembly w/ Gasket (After 7-2009)	300
22	R0495505	Flue Vent Assembly w/ Gasket (After 7-2009)	400
23	R0456001	Outdoor Grill (Before 7-2009)	250, 300
23	R0456002	Outdoor Grill (Before 7-2009)	400
23	R0495401	Hot Plate, Split Plate (After 7-2009)	250, 300
23	R0495402	Hot Plate, Split Plate (After 7-2009)	400
N/S	R0456100	Vent Hardware Kit	All
25	R0456200	Flue Box Assembly w/ Gasket	All
26	R0524300	Vent Box Fusible Link	All
ELECTRICAL COMPONENTS			
27	R0456300	Transformer	All
28	R0456400	Air Pressure Switch	All
29	R0456500	Temperature Sensor Regular	All
29	R0477300	Temperature Sensor (Salt)	All
30	R0456600	Gasket, Temperature Sensor	All
32	R0523900	Nut, Sensor Retainer	All
33	R0456900	Ignition Control	All
34	R0457000	Water Pressure Switch Assembly	All
35	R0013200	Water Pressure Switch, 2 psi	All
36	R0457100	Water Pressure Switch Tubing	All
37	R0457200	High Limits Set	All
38	R0457300	High Limit 130°F	All
39	R0023000	High Limits 150°F	All
39A	R0456800	High Limit Plug (Set of 3)	All
40	R0457400	Harness, High Limit Switch	All
41	R0457500	Hot Surface Ignitor	All

LXi™ Low NOx Diagram for LXi Low NOx Heater on pages 114–115.

Key No.	Part No.	Description	Model No.
ELECTRICAL COMPONENTS (CONTINUED)			
N/S	R0457600	Wire Harness Set Complete	All
N/S	R0457700	Harn Pwr Interface Controller (fuse included)	All
N/S	R0457800	Harn Wtr Press Switch, Univ. Cntrl	All
N/S	R0457900	Harn Man. Reset, RL-Out	All
N/S	R0460400	Harn Air Flow Switch	All
47	R0458100	Power Distribution Board	All
48	R0458200	Power Interface Board (PIB)	All
49	R0458300	Univ. Control User Interface	All
50	R0458400	Cover, Display/Bezel	All
N/S	R0458500	Gasket, Display/Bezels	All
JACKET COMPONENTS			
52	R0458600	Flame Sense Rod	All
53	R0012200	Fusible Link	All
54	R0337200	Bracket, Fusible Link	All
55	R0458703	Door w/ Latch	250
55	R0458704	Door w/ Latch	300
55	R0458705	Door w/ Latch	400
56	R0334900	Door Latch Assembly w/ Handle	All
57	R0458800	Panel, Side, Left	All
58	R0458900	Panel, Right Side	All
59	R0459000	Panel, Bottom Header, In/Out	All
60	R0459100	Panel Top, Header In/Out	All
61	R0459200	Panel, Return Header Side	All
62	R0459300	Panel, Side Support	All
63	R0459803	Rear Panel	250
63	R0459804	Rear Panel	300
63	R0459805	Rear Panel	400
64	R0459401	Vent Back Cover	250, 300
64	R0459402	Vent Back Cover	400
65	R0459503	Top Assembly (Before 7-2009)	250
65	R0459504	Top Assembly (Before 7-2009)	300
65	R0459505	Top Assembly (Before 7-2009)	400
65	R0495303	Top Assembly, Split Flue (After 7-2009)	250
65	R0495304	Top Assembly, Split Flue (After 7-2009)	300
65	R0495305	Top Assembly, Split Flue (After 7-2009)	400
67	R0459903	Front, Support Door	250
67	R0459904	Front, Support Door	300
67	R0459905	Front, Support Door	400
68	R0460003	Housing Air Chamber	250

N/S-Not Shown N/A-Not Available

Key No.	Part No.	Description	Model No.
JACKET COMPONENTS (CONTINUED)			
68	R0460004	Housing Air Chamber	300
68	R0460005	Housing Air Chamber	400
69	R0460103	Cover, Air Chamber	250
69	R0460104	Cover, Air Chamber	300
69	R0460105	Cover, Air Chamber	400
70	R0460200	Cover, Manifold	All
71	R0460300	Grommet Seal 2"	All
72	R0460500	Air Duct	All
HEAT EXCHANGER COMPONENTS, BRONZE			
73	R0476603	LXi Inlet/Outlet Bronze Header	250
73	R0476605	LXi Inlet/Outlet Bronze Header	300
73	R0476606	LXi Inlet/Outlet Bronze Header	400
74	R0476700	LXi Return Header, Bronze	All
75	R0477200	LXi Heat Exch. Hardware Kit, Bronze	All
76	R0476803	LXi I/O Header Bypass Assembly w/ Hardware (Bronze Headers)	250
76	R0476805	LXi I/O Header Bypass Assembly w/ Hardware (Bronze Headers)	300
76	R0476806	LXi I/O Header Bypass Assembly w/ Hardware (Bronze Headers)	400
77	R0476903	LXi Bypass Spring (Bronze Headers)	250
77	R0476905	LXi Bypass Spring (Bronze Headers)	400
77	R0476906	LXi Bypass Spring (Bronze Headers)	300
78	R0011400	LXi Bypass Gasket (Bronze Headers)	All
79	R0477400	LXi Temp Sensor Mounting Bracket (Bronze Headers)	All
80	R0477500	LXi Tube Assembly, Pressure Switch, Bronze Headers	All
81	R0477600	LXi Heat Exchanger Flange & Gasket (Set of 2) (Bronze Headers) Superseded by R0461500	All
82	R0477800	LXi Heat Exchanger Flange Bolts (Bronze Headers)	All
83	R0477900	LXi In/Out Header Plug, 3/4" NPT (Bronze Headers)	All
84	R0478000	LXi Bronze Header Drain Plug	All
85	R0500503	Heat Exchanger Complete, Bronze, Cu	250
85	R0500504	Heat Exchanger Complete, Bronze, Cu	300
85	R0500505	Heat Exchanger Complete, Bronze, Cu	400
85	R0500603	Heat Exchanger Complete, Bronze, CuNi	250
85	R0500604	Heat Exchanger Complete, Bronze, CuNi	300
85	R0500605	Heat Exchanger Complete, Bronze, CuNi	400
N/S	R0483601	Siphon Loop	All
N/S	R0449000	Parts Bag	All

LXi™ Low NOx Diagram for LXi Low NOx Heater on pages 114–115.

Key No.	Part No.	Description	Model No.
REAR HORIZONTAL VENTING			
N/S	R0467301	Vent Adapter Kit, 5"	250
N/S	R0467302	Vent Adapter Kit, 5"	300
N/S	R0467303	Vent Adapter Kit, 6"	400
N/S	R0484405	Vent Accessory Kit, 5" [†]	250
N/S	R0484405	Vent Accessory Kit, 5" [†]	300
N/S	R0484406	Vent Accessory Kit, 6" ^{††}	400
TOP VERTICAL TO HORIZONTAL VENTING			
N/S	R0484301	Vent Adapter Kit, 6"	250
N/S	R0484302	Vent Adapter Kit, 7"	300
N/S	R0484303	Vent Adapter Kit, 8"	400
N/S	R0484406	Vent Accessory Kit, 6" ^{††}	250
N/S	R0484407	Vent Accessory Kit, 7" ^{††}	300
N/S	R0484408	Vent Accessory Kit, 8" ^{††}	400
[†] 5" Vent Accessory Kits contain: 1-appliance adapter 1-12" length of pipe 1-wall thimble 1-horizontal termination ^{††} 6", 7", 8" Vent Accessory Kits contain: 1-appliance adapter 3-12" lengths of pipe 1-90 degree elbow 1-wall thimble 1-horizontal termination			
OPTIONAL			
N/S	R0468803	Noncombustible Base	250
N/S	R0468804	Noncombustible Base	300
N/S	R0468805	Noncombustible Base	400
N/S	R0335800	Touch-up Paint, Black and Pewter	All
N/S	R0336000	Temperature Rise Measurement Kit	All
N/S	R0336100	Pressure Relief Valve	All
N/S	R0322800	High Temp Silicone Sealant	All
N/S	R0467200	Pump Relay Kit	All
N/S	R0467500	Remote Control Panel and Mounting Kit	All

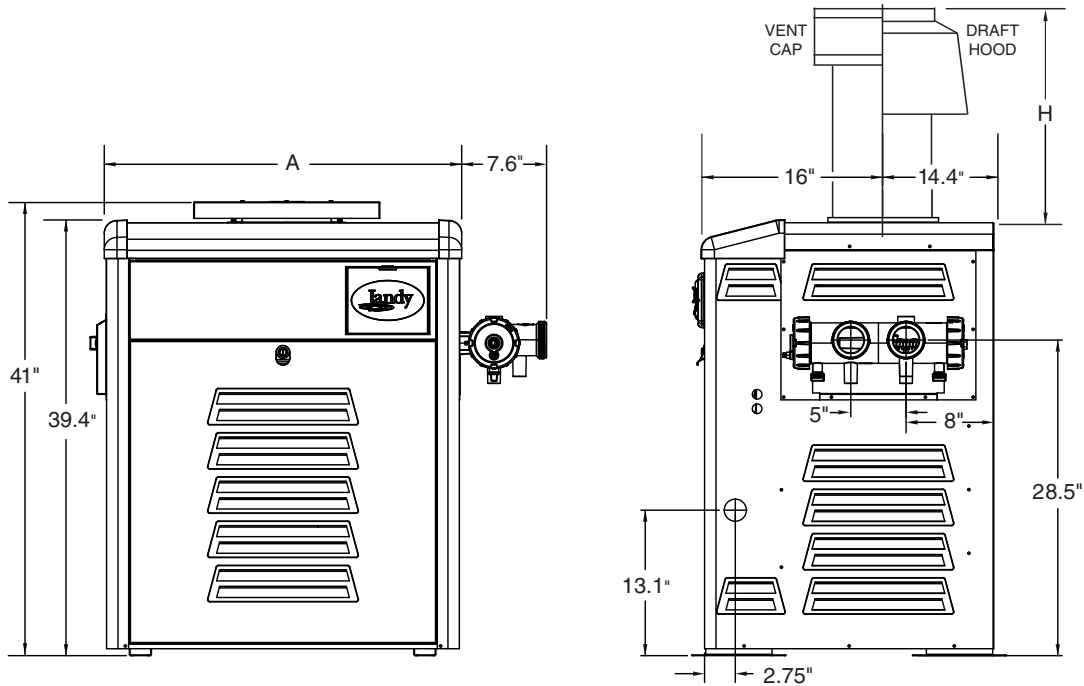
N/S-Not Shown

Notes:

1. All hardware sets contain all pieces necessary for assembly, including gaskets.
2. Gaskets and hardware are included in all kits that involve the removal of a gasket as part of the procedure to replace a part.

** Manifold kit includes installed orifices but does not include gas valve.

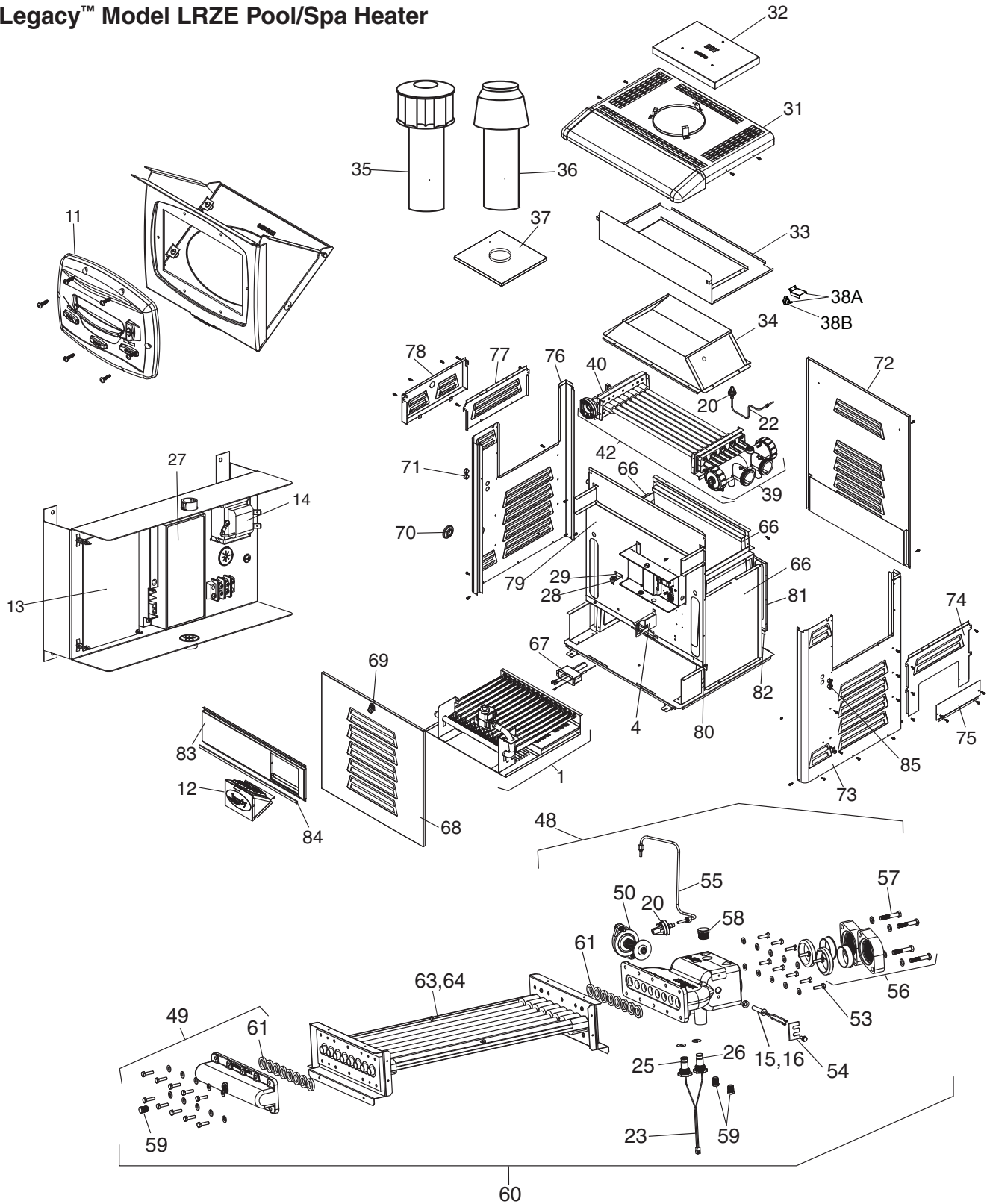
Specifications and Dimensions for LRZ Series Heaters



Specifications and Dimensions, Legacy™ Series Heaters

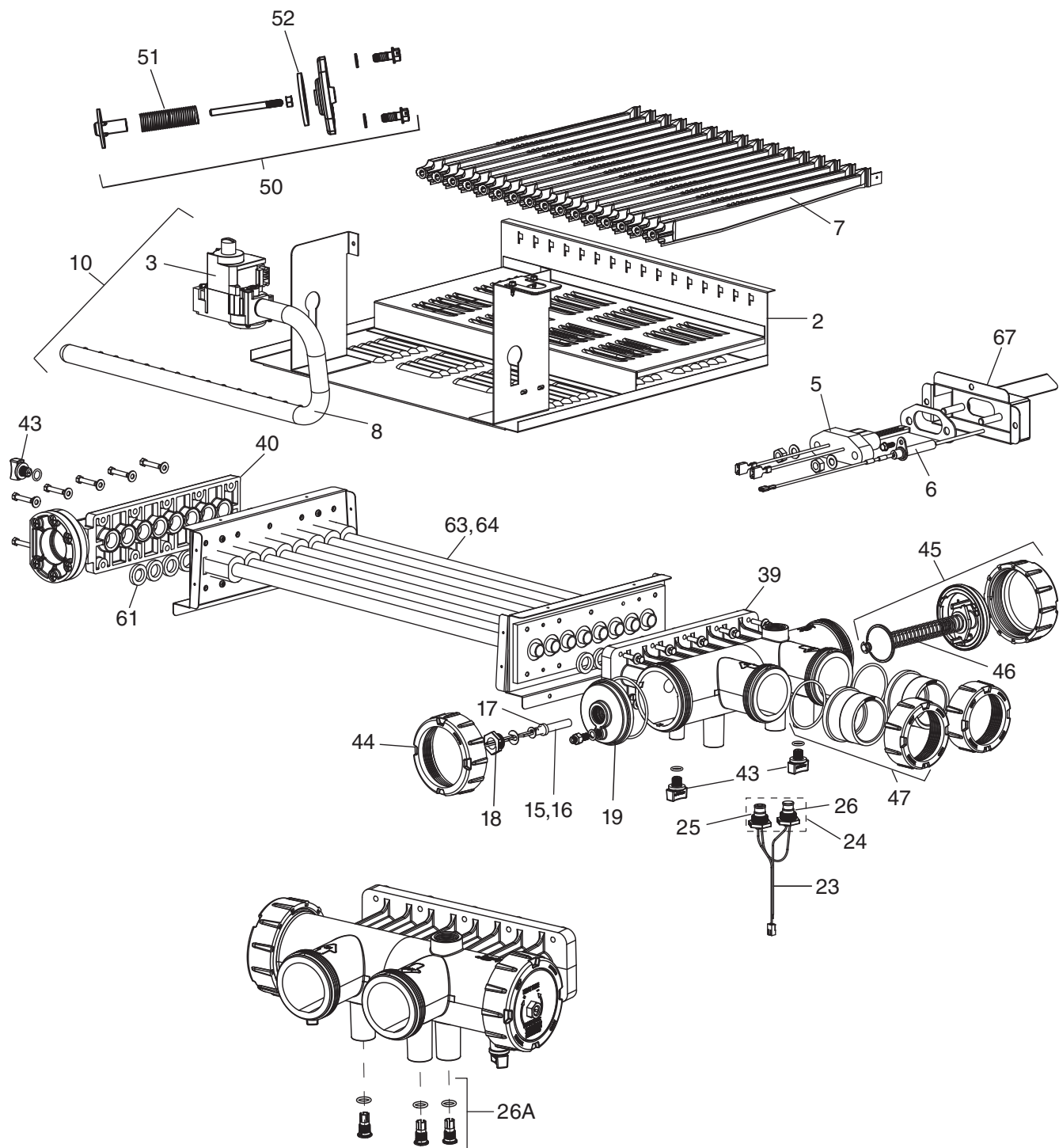
Model	Heater Width Dim "A"		Venting Dimensions						Firing Rate	
			Vent Diameter		U.S. Outdoor Dimension "H"		U.S. Indoor or CAN Outdoor Shelter Dimension "H"			
	in.	cm	in.	cm	in.	cm	in.	cm	BTU/HR	kcal/HR
125	15.1	38	6	15	18	46	24.1	61	125,000	32
175	18.1	40	6	15	18	46	24.1	61	175,000	44
250	22.7	58	7	18	18.2	47	25.2	64	250,000	63
325	26.9	68	8	20	18.9	48	26.5	67	325,000	82
400	32.4	82	9	23	21.5	55	27.5	70	399,000	101

Legacy™ Model LRZE Pool/Spa Heater



Parts Listing starts on page 122.

Legacy™ Model LRZE Pool/Spa Heater



Parts Listing starts on page 122.

Legacy™ Model LRZE Pool/Spa Heater See exploded parts diagram on pages 120–121.

Key No.	Part No.	Description	Model No.
MAIN GAS ASSEMBLY			
1	R0468901	Burner Tray Assembly, Nat	125
1	R0468902	Burner Tray Assembly, Nat	175
1	R0468903	Burner Tray Assembly, Nat	250
1	R0468904	Burner Tray Assembly, Nat	325
1	R0468905	Burner Tray Assembly, Nat	400
1	R0469001	Burner Tray Assembly, LP	125
1	R0469002	Burner Tray Assembly, LP	175
1	R0469003	Burner Tray Assembly, LP	250
1	R0469004	Burner Tray Assembly, LP	325
1	R0469005	Burner Tray Assembly, LP	400
2	R0469101	Burner Tray, Shelf Only	125
2	R0469102	Burner Tray, Shelf Only	175
2	R0469103	Burner Tray, Shelf Only	250
2	R0469104	Burner Tray, Shelf Only	325
2	R0469105	Burner Tray, Shelf Only	400
3	R0494500	Gas Valve, Nat	All
3	R0494600	Gas Valve, LPG	All
4	R0469700	Anti-Rotation Bracket	All
5	R0457501	Hot Surface Ignitor	All
6	R0458601	Flame Sensor Rod	All
7	R0469800	Burner, Main	All
8	R0469901	Burner Manifold	125
8	R0469902	Burner Manifold	175
8	R0469903	Burner Manifold	250
8	R0469904	Burner Manifold	325
8	R0469905	Burner Manifold	400
9*	R0469200	Orifice Set, Nat Gas, 0–3K ft.	All
9*	R0469300	Orifice Set, Nat Gas, 3–6K ft.	All
9*	R0469400	Orifice Set, Nat Gas, 6–10K ft. (US Only)	All
9*	R0469500	Orifice Set, L.P. Gas, 0–5K ft.	All
9*	R0469600	Orifice Set, L.P. Gas, 5–10K ft. (US Only)	All
10	R0495601	Manifold Assembly, Nat Gas 0–3K ft.	125
10	R0495602	Manifold Assembly, Nat Gas 0–3K ft.	175
10	R0495603	Manifold Assembly, Nat Gas 0–3K ft.	250
10	R0495604	Manifold Assembly, Nat Gas 0–3K ft.	325
10	R0495605	Manifold Assembly, Nat Gas 0–3K ft.	400
10	R0495701	Manifold Assembly, Nat Gas, 3–6K ft.	125
10	R0495702	Manifold Assembly, Nat Gas, 3–6K ft.	175
10	R0495703	Manifold Assembly, Nat Gas, 3–6K ft.	250
10	R0495704	Manifold Assembly, Nat Gas, 3–6K ft.	325
10	R0495705	Manifold Assembly, Nat Gas, 3–6K ft.	400
10	R0495801	Manifold Assembly, Nat Gas, 6–10K ft. (US Only)	125
10	R0495802	Manifold Assembly, Nat Gas, 6–10K ft. (US Only)	175
10	R0495803	Manifold Assembly, Nat Gas, 6–10K ft. (US Only)	250
10	R0495804	Manifold Assembly, Nat Gas, 6–10K ft. (US Only)	325
10	R0495805	Manifold Assembly, Nat Gas, 6–10K ft. (US Only)	400
10	R0495901	Manifold Assembly, L.P. Gas, 0–5K ft.	125
10	R0495902	Manifold Assembly, L.P. Gas, 0–5K ft.	175
10	R0495903	Manifold Assembly, L.P. Gas, 0–5K ft.	250
10	R0495904	Manifold Assembly, L.P. Gas, 0–5K ft.	325
10	R0495905	Manifold Assembly, L.P. Gas, 0–5K ft.	400
10	R0496001	Manifold Assembly, L.P. Gas, 5–10K ft. (US only)	125
10	R0496002	Manifold Assembly, L.P. Gas, 5–10K ft. (US only)	175
10	R0496003	Manifold Assembly, L.P. Gas, 5–10K ft. (US only)	250

Key No.	Part No.	Description	Model No.
MAIN GAS ASSEMBLY (CONTINUED)			
10	R0496004	Manifold Assembly, L.P. Gas, 5–10K ft. (US only)	325
10	R0496005	Manifold Assembly, L.P. Gas, 5–10K ft. (US only)	400
ELECTRICAL SYSTEM			
11	R3008800	Universal Control User Interface	All
12	R0496700	Universal Control w/ Bezel	All
13	R0470200	Universal Control Power Interface	All
14	R0061100	Transformer	All
15	R0456500	Temperature Sensor (Regular)	All
16	R0477300	Temperature Sensor (Salt)	All
17	R0456600	Gasket, Temperature Sensor	All
18	R0523900	Nut, Sensor Retainer	All
19	R0455400	Cap Sensor/Press Switch w/ O-ring	All
20	R0013200	Pressure Switch, 2 PSI	All
21*	R0015500	Pressure Switch, 1–10 PSI	All
22	R0483600	Water Pressure Switch Tubing	All
22	R0483601	Water Pressure Switch Tubing, reversed, Replacement Kit	All
23	R0457400	High-Limit Switch Assembly	All
24	R0457200	High-Limit Set (130°F and 150°F)	All
25	R0457300	High-Limit Switch, 130°F	All
26	R0023000	High-Limit Switch, 150°F	All
26A	R0456800	High-Limit Plug, 3/PK	All
27	R0491300	Ignition Control	All
28	R0012200	Fusible Link Assembly	All
29	R0337200	Fusible Link Bracket	All
30*	R0470000	Wire Harness, Set	All
VENT SYSTEM			
31	R0470301	Top Enclosure	125
31	R0470302	Top Enclosure	175
31	R0470303	Top Enclosure	250
31	R0470304	Top Enclosure	325
31	R0470305	Top Enclosure	400
32	R0470401	Vent Cover	125
32	R0470402	Vent Cover	175
32	R0470403	Vent Cover	250
32	R0470404	Vent Cover	325
32	R0470405	Vent Cover	400
33	R0478201	Rainshield (Partition)	125
33	R0478202	Rainshield (Partition)	175
33	R0478203	Rainshield (Partition)	250
33	R0478204	Rainshield (Partition)	325
33	R0478205	Rainshield (Partition)	400
34	R0470501	Flue Collector Assembly	125
34	R0470502	Flue Collector Assembly	175
34	R0470503	Flue Collector Assembly	250
34	R0470504	Flue Collector Assembly	325
34	R0470505	Flue Collector Assembly	400
35	R0491601	Outdoor Vent Cap	125
35	R0491602	Outdoor Vent Cap	175
35	R0491603	Outdoor Vent Cap	250
35	R0491604	Outdoor Vent Cap	325
35	R0491605	Outdoor Vent Cap	400
36	R0499601	Indoor Drafthood	125

Legacy™ Model LRZE Pool/Spa Heater See exploded parts diagram on pages 120–121.

Key No.	Part No.	Description	Model No.
VENT SYSTEM (CONTINUED)			
36	R0499602	Indoor Drafthood	175
36	R0499603	Indoor Drafthood	250
36	R0499604	Indoor Drafthood	325
36	R0499605	Indoor Drafthood	400
37	R0478301	Adapter Plate	125
37	R0478302	Adapter Plate	175
37	R0478303	Adapter Plate	250
37	R0478304	Adapter Plate	325
37	R0478305	Adapter Plate	400
38*	R0500200	Clip	All
38A	R0534800	Fusible Link Assembly, Vent	All
38B	R0524300	Fusible Link, Vent, 240°C	All
WATER SYSTEM-POLYMER			
39	R0470800	Inlet/Outlet Header Assembly, Polymer	All
40	R0454201	Return Header Assembly, Polymer	All
41*	R0454500	Header Hardware Set, Polymer	All
42	R0470601	Heat Exchanger Assembly, Complete	125
42	R0470602	Heat Exchanger Assembly, Complete	175
42	R0470603	Heat Exchanger Assembly, Complete	250
42	R0470604	Heat Exchanger Assembly, Complete	325
42	R0470605	Heat Exchanger Assembly, Complete	400
42	R0500701	Heat Exchanger Assembly, Complete, CuNi	125
42	R0500702	Heat Exchanger Assembly, Complete, CuNi	175
42	R0500703	Heat Exchanger Assembly, Complete, CuNi	250
42	R0500704	Heat Exchanger Assembly, Complete, CuNi	325
42	R0500705	Heat Exchanger Assembly, Complete, CuNi	400
43	R0446000	Heat Exchanger Drain Plugs, 2/PK Polymer	All
44	R0454000	3" Coupling Nut Kit w/ O-ring	All
N/S	R0454100	O-Ring, Coupling, 2/PK	All
45	R0453701	Bypass Assembly, Polymer	All
46	R0453900	Bypass Spring, Adjustable, Polymer	All
47	R0449000	Tailpiece w/ Union Nut, 2/PK Polymer	All
WATER SYSTEM-BRONZE			
48	R0476601	Inlet/Outlet Header Assembly, Bronze, 2"	125
48	R0476602	Inlet/Outlet Header Assembly, Bronze, 2"	175
48	R0476603	Inlet/Outlet Header Assembly, Bronze, 2"	250
48	R0476604	Inlet/Outlet Header Assembly, Bronze, 2"	325
48	R0476605	Inlet/Outlet Header Assembly, Bronze, 2"	400
49	R0476700	Return Header Assembly, Bronze (includes set of 9 gaskets)	All
50	R0476801	Bypass Assembly, Bronze	125
50	R0476802	Bypass Assembly, Bronze	175
50	R0476803	Bypass Assembly, Bronze	250
50	R0476804	Bypass Assembly, Bronze	325
50	R0476805	Bypass Assembly, Bronze	400
51	R0476901	Bypass Spring, Bronze	125
51	R0476902	Bypass Spring, Bronze	175
51	R0476903	Bypass Spring, Bronze	250
51	R0476904	Bypass Spring, Bronze	325
51	R0476905	Bypass Spring, Bronze	400
52	R0011400	Bypass Gasket, Bronze	All
53	R0477200	Heat Exchange Hardware Kit, Bronze	All
54	R0477400	Temp Sensor Mounting Bracket, Bronze	All
55	R0477501	Water Pressure Switch Tubing, Bronze	All

Key No.	Part No.	Description	Model No.
WATER SYSTEM-BRONZE (CONTINUED)			
55	R0483601	Water Pressure Switch Tubing, Reversed	All
56	R0461500	Flange & Gasket Kit, Bronze	All
57	R0477800	Flange Bolts, Bronze	All
58	R0477900	¾" NPT Plug, Bronze	All
59	R0478000	Header, Drain Plug, Bronze	All
60	R0470701	Heat Exchanger Assembly, Bronze, Complete	125
60	R0470702	Heat Exch. Assembly, Bronze, Complete	175
60	R0470703	Heat Exch. Assembly, Bronze, Complete	250
60	R0470704	Heat Exch. Assembly, Bronze, Complete	325
60	R0470705	Heat Exch. Assembly, Bronze, Complete	400
60	R0500801	Heat Exch. Assembly, Bronze, Complete, CuNi	125
60	R0500802	Heat Exch. Assembly, Bronze, Complete, CuNi	175
60	R0500803	Heat Exch. Assembly, Bronze, Complete, CuNi	250
60	R0500804	Heat Exch. Assembly, Bronze, Complete, CuNi	325
60	R0500805	Heat Exch. Assembly, Bronze, Complete, CuNi	400
WATER SYSTEM-ALL			
61	R0454300	Header Gasket Assembly (Set of 16)	All
62*	R0453800	Bypass Hardware, Gaskets	All
63	R0490101	Heat Exchanger Tube Assembly, Copper	125
63	R0490102	Heat Exchanger Tube Assembly, Copper	175
63	R0490103	Heat Exchanger Tube Assembly, Copper	250
63	R0490104	Heat Exchanger Tube Assembly, Copper	325
63	R0490105	Heat Exchanger Tube Assembly, Copper	400
64	R0490301	Heat Exchanger Tube Assembly, CuNi	125
64	R0490302	Heat Exchanger Tube Assembly, CuNi	175
64	R0490303	Heat Exchanger Tube Assembly, CuNi	250
64	R0490304	Heat Exchanger Tube Assembly, CuNi	325
64	R0490305	Heat Exchanger Tube Assembly, CuNi	400
65*	R0500001	Baffles, Heat Exchanger	125
65*	R0500002	Baffles, Heat Exchanger	175
65*	R0500003	Baffles, Heat Exchanger	250
FIREBOX COMPONENTS			
66	R0494901	Combustion Chamber Panels	125
66	R0494902	Combustion Chamber Panels	175
66	R0494903	Combustion Chamber Panels	250
66	R0494904	Combustion Chamber Panels	325
66	R0494905	Combustion Chamber Panels	400
67	R0484000	Igniter Bracket w/ Shield	All
JACKET COMPONENTS			
68	R0470901	Door w/ Latch	125
68	R0470902	Door w/ Latch	175
68	R0470903	Door w/ Latch	250
68	R0470904	Door w/ Latch	325
68	R0470905	Door w/ Latch	400
69	R0334900	Latch Assembly	All
70	R0460300	Grommet, Sealing, 2"	All
71	R0491100	Button Plug, 7/8"	All
72	R0482301	Rear Panel Assembly	125
72	R0482302	Rear Panel Assembly	175

N/S-Not Shown

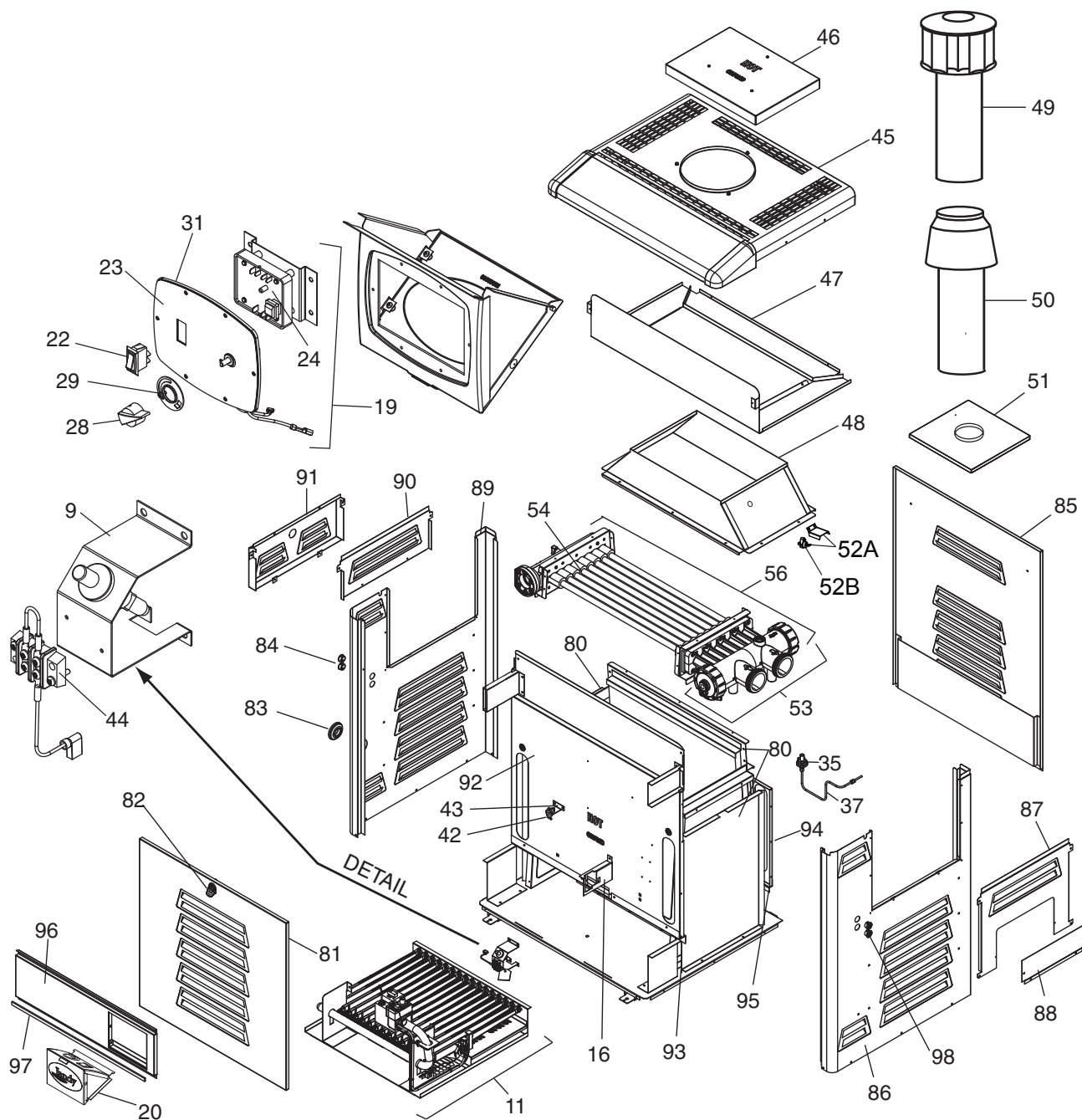
Legacy™ Model LRZE Pool/Spa Heater See exploded parts diagram on pages 120–121.

Key No.	Part No.	Description	Model No.
JACKET COMPONENTS (CONTINUED)			
72	R0482303	Rear Panel Assembly	250
72	R0482304	Rear Panel Assembly	325
72	R0482305	Rear Panel Assembly	400
73	R0482400	Side Panel, Right	All
74	R0482500	In/Out Cover Panel, Top	All
75	R0482600	In/Out Cover Panel, Bottom	All
76	R0482700	Side Panel, Left	All
77	R0482800	Return Side Cover, Top	All
78	R0482900	Return Side Cover, Bottom	All
79	R0483101	Heat Shield	125
79	R0483102	Heat Shield	175
79	R0483103	Heat Shield	250
79	R0483104	Heat Shield	325
79	R0483105	Heat Shield	400
80	R0483201	Heat Deflector Guard, Front	125
80	R0483202	Heat Deflector Guard, Front	175
80	R0483203	Heat Deflector Guard, Front	250
80	R0483204	Heat Deflector Guard, Front	325
80	R0483205	Heat Deflector Guard, Front	400
81	R0483401	Rear Partition	125
81	R0483402	Rear Partition	175
81	R0483403	Rear Partition	250
81	R0483404	Rear Partition	325
81	R0483405	Rear Partition	400
82	R0483501	Heat Deflector Guard, Rear	125
82	R0483502	Heat Deflector Guard, Rear	175
82	R0483503	Heat Deflector Guard, Rear	250
82	R0483504	Heat Deflector Guard, Rear	325
82	R0483505	Heat Deflector Guard, Rear	400
83	R0483901	Controller Mounting Panel	125
83	R0483902	Controller Mounting Panel	175
83	R0483903	Controller Mounting Panel	250
83	R0483904	Controller Mounting Panel	325
83	R0483905	Controller Mounting Panel	400
84	R0491000	Weather Stripping	All
85	R0492800	Grommet, 7/8"	All
OPTIONAL COMPONENTS			
86*	R0471001	Noncombustible Base	125
86*	R0471002	Noncombustible Base	175
86*	R0471003	Noncombustible Base	250
86*	R0471004	Noncombustible Base	325
86*	R0471005	Noncombustible Base	400
87*	R0040400	Press Relief Valve Kit, 75 PSI, Bronze	All
88*	R0336100	Press Relief Valve Kit, 75 PSI, Polymer	All
89*	R0335800	Touch-up Spray Paint, Black and Pewter	All
90*	R0336000	Temp Rise Measurement Kit	All

NOTES:

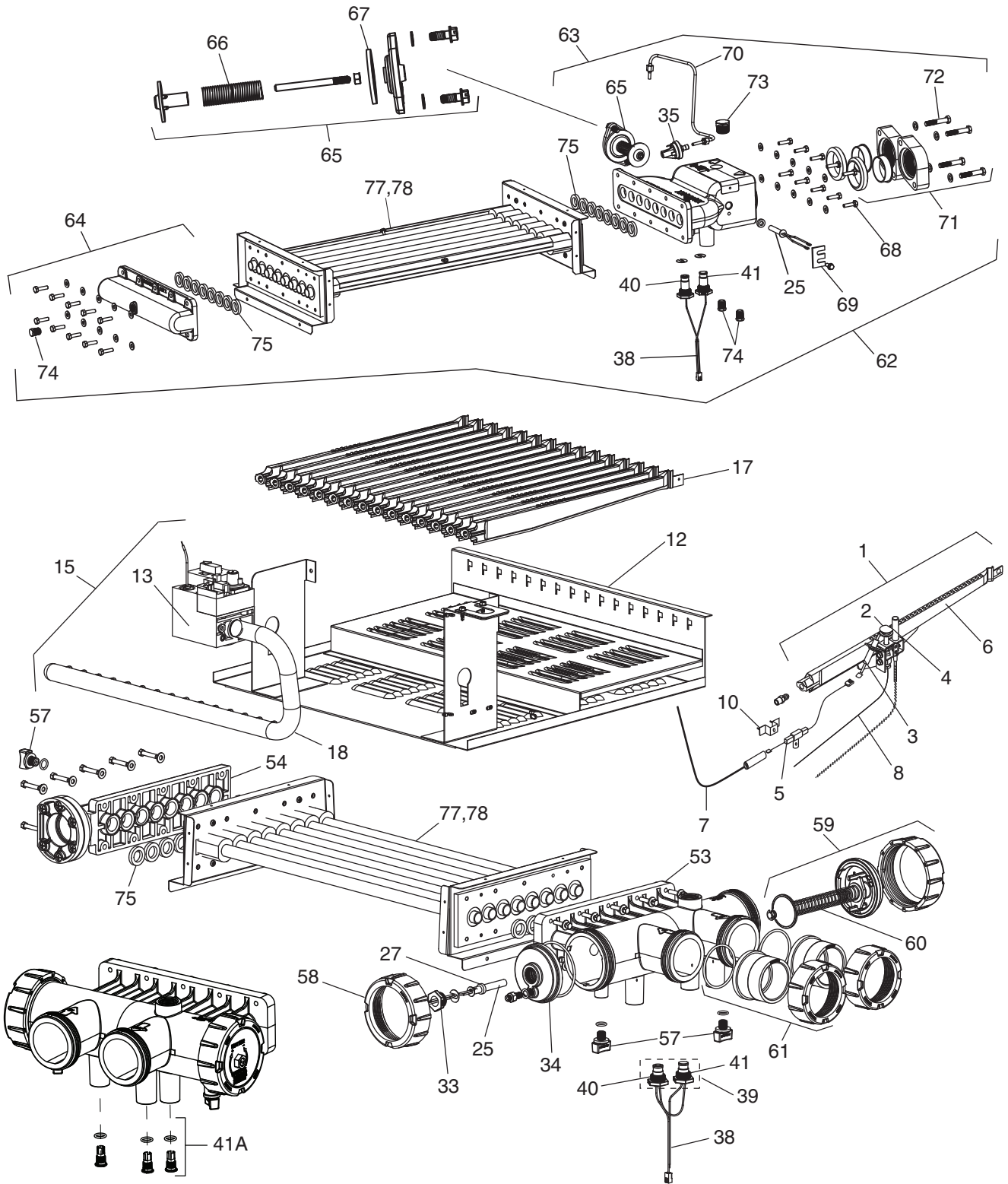
1. All hardware sets contain all pieces necessary for assembly, including gaskets.
 2. Gaskets and hardware are included in all kits that involve the removal of a gasket as part of the procedure to replace a part.
- * Parts not shown on key view.
 ** Manifold kit includes installed orifices but does not include gas valve.

Legacy™ Model LRZM Pool/Spa Heater



Parts List for LRZM Heater starts on page 127.

Legacy™ LRZM Pool/Spa Heater



Parts List for LRZM Heater on page 127.

Legacy™ Model LRZM Pool/Spa Heater See exploded parts diagram on pages 125–126.

Key No.	Part No.	Description	Model No.
PILOT/IGNITER SYSTEM			
1	R0494700	Pilot, Main Burner Assembly, Nat	All
1	R0494800	Pilot, Main Burner Assembly, Propane	All
2	R0492900	Pilot Burner, Nat	All
2	R0493000	Pilot Burner, Propane	All
3	R0471400	Pilot Electrode	All
4	R0471500	Pilot Generator	All
5	R0471600	Ceramic Insulator	All
6	R0471700	Burner, Main w/ Pilot Bracket	All
7	R0493400	High Voltage Lead Assembly	All
8	R0037000	Pilot Tubing	All
9	R0355900	Piezo Lighter Assembly	All
10	R0471800	Mounting Bracket Assembly	All
MAIN GAS ASSEMBLY			
11	R0471101	Burner Tray Assembly, Nat	125
11	R0471102	Burner Tray Assembly, Nat	175
11	R0471103	Burner Tray Assembly, Nat	250
11	R0471104	Burner Tray Assembly, Nat	325
11	R0471105	Burner Tray Assembly, Nat	400
11	R0471201	Burner Tray Assembly, Propane	125
11	R0471202	Burner Tray Assembly, Propane	175
11	R0471203	Burner Tray Assembly, Propane	250
11	R0471204	Burner Tray Assembly, Propane	325
11	R0471205	Burner Tray Assembly, Propane	400
12	R0469101	Burner Tray, Shelf Only	125
12	R0469102	Burner Tray, Shelf Only	175
12	R0469103	Burner Tray, Shelf Only	250
12	R0469104	Burner Tray, Shelf Only	325
12	R0469105	Burner Tray, Shelf Only	400
13	R0493100	Gas Valve, Nat	All
13	R0493200	Gas Valve, Propane	All
14*	R0469200	Orifice Set, Nat Gas, 0–3K ft.	All
14*	R0469300	Orifice Set, Nat Gas, 3–6K ft.	All
14*	R0469400	Orifice Set, Nat Gas, 6–10K ft.	All
14*	R0469500	Orifice Set, L.P. Gas, 0–5K ft.	All
14*	R0469600	Orifice Set, L.P. Gas, 5–10K ft.	All
15	R0496101	Manifold Assembly, Nat Gas, 0–3K ft.	125
15	R0496102	Manifold Assembly, Nat Gas, 0–3K ft.	175
15	R0496103	Manifold Assembly, Nat Gas, 0–3K ft.	250
15	R0496104	Manifold Assembly, Nat Gas, 0–3K ft.	325
15	R0496105	Manifold Assembly, Nat Gas, 0–3K ft.	400
15	R0496201	Manifold Assembly, Nat Gas, 3–6K ft.	125
15	R0496202	Manifold Assembly, Nat Gas, 3–6K ft.	175
15	R0496203	Manifold Assembly, Nat Gas, 3–6K ft.	250
15	R0496204	Manifold Assembly, Nat Gas, 3–6K ft.	325
15	R0496205	Manifold Assembly, Nat Gas, 3–6K ft.	400
15	R0496301	Manifold Assembly, Nat Gas, 6–10K ft.	125
15	R0496302	Manifold Assembly, Nat Gas, 6–10K ft.	175
15	R0496303	Manifold Assembly, Nat Gas, 6–10K ft.	250
15	R0496304	Manifold Assembly, Nat Gas, 6–10K ft.	325
15	R0496305	Manifold Assembly, Nat Gas, 6–10K ft.	400
15	R0496401	Manifold Assembly, L.P. Gas, 0–5K ft.	125
15	R0496402	Manifold Assembly, L.P. Gas, 0–5K ft.	175
15	R0496403	Manifold Assembly, L.P. Gas, 0–5K ft.	250

Key No.	Part No.	Description	Model No.
MAIN GAS ASSEMBLY (CONTINUED)			
15	R0496404	Manifold Assembly, L.P. Gas, 0–5K ft.	325
15	R0496405	Manifold Assembly, L.P. Gas, 0–5K ft.	400
15	R0496501	Manifold Assembly, L.P. Gas, 5–10K ft.	125
15	R0496502	Manifold Assembly, L.P. Gas, 5–10K ft.	175
15	R0496503	Manifold Assembly, L.P. Gas, 5–10K ft.	250
15	R0496504	Manifold Assembly, L.P. Gas, 5–10K ft.	325
15	R0496505	Manifold Assembly, L.P. Gas, 5–10K ft.	400
16	R0469700	Anti-Rotation Bracket	All
17	R0469800	Burner, Main	All
18	R0469901	Burner Manifold	125
18	R0469902	Burner Manifold	175
18	R0469903	Burner Manifold	250
18	R0469904	Burner Manifold	325
18	R0469905	Burner Manifold	400
ELECTRICAL SYSTEM			
19	R0471901	Temp Control/User Interface	All
20	R0491700	Temp Control/User Interface w/ Bezel	All
21*	R0472400	Wire Harness Set	All
22	R0099800	On-Off Switch	All
23	R0472100	Temperature Control Label	All
24	R0472500	Pool/Spa Control	All
25	R0456500	Temperature Sensor (Regular)	All
26*	R0477300	Temperature Sensor (Salt)	All
27	R0456600	Gasket, Temperature Control Bulb	All
28	R0010700	Thermostat Knob, Black	All
29	R0472200	Stop Plate, "Temp-Lok"	All
30*	R0472300	Temperature Control Gasket	All
31	R0472001	Temperature Control Plate Assembly	All
32*	R0474600	Stop Plate Screw	All
33	R0523900	Nut, Sensor Retainer	All
34	R0455400	Cap, Sensor and Pressure Switch w/ O-ring	All
35	R0013200	Pressure Switch, 2 PSI	All
36*	R0015500	Pressure Switch, 1–10 PSI	All
37	R0483600	Water Pressure Switch Tubing	All
37	R0483601	Water Pressure Switch Tubing, Reversed, R-kit	All
38	R0457401	High-Limit Switch Assembly	All
39	R0457200	High Limit Set (130°F and 150°F)	All
40	R0457300	High-Limit Switch, 130°F	All
41	R0023000	High-Limit Switch, 150°F	All
41A	R0456800	High-Limit Plug, 3/PK	All
42	R0012200	Fusible Link Assembly	All
43	R0337200	Fusible Link Bracket	All
44	R0097800	Terminal Block	All
VENT SYSTEM			
45	R0470301	Top Enclosure	125
45	R0470302	Top Enclosure	175
45	R0470303	Top Enclosure	250
45	R0470304	Top Enclosure	325
45	R0470305	Top Enclosure	400

Legacy™ Model LRZM Pool/Spa Heater See exploded parts diagram on pages 125–126.

Key No.	Part No.	Description	Model No.
VENT SYSTEM (CONTINUED)			
46	R0470401	Vent Cover	125
46	R0470402	Vent Cover	175
46	R0470403	Vent Cover	250
46	R0470404	Vent Cover	325
46	R0470405	Vent Cover	400
47	R0478201	Rainshield (Partition)	125
47	R0478202	Rainshield (Partition)	175
47	R0478203	Rainshield (Partition)	250
47	R0478204	Rainshield (Partition)	325
47	R0478205	Rainshield (Partition)	400
48	R0470501	Flue Collector Assembly	125
48	R0470502	Flue Collector Assembly	175
48	R0470503	Flue Collector Assembly	250
48	R0470504	Flue Collector Assembly	325
48	R0470505	Flue Collector Assembly	400
49	R0491601	Outdoor Vent Cap	125
49	R0491602	Outdoor Vent Cap	175
49	R0491603	Outdoor Vent Cap	250
49	R0491604	Outdoor Vent Cap	325
49	R0491605	Outdoor Vent Cap	400
50	R0499601	Indoor Draft Hood	125
50	R0499602	Indoor Draft Hood	175
50	R0499603	Indoor Draft Hood	250
50	R0499604	Indoor Draft Hood	325
50	R0499605	Indoor Draft Hood	400
51	R0478301	Adapter Plate	125
51	R0478302	Adapter Plate	175
51	R0478303	Adapter Plate	250
51	R0478304	Adapter Plate	325
51	R0478305	Adapter Plate	400
52*	R0500200	Clip	All
52A	R0534800	Fusible Link Assembly, Vent	All
52B	R0524300	Fusible Link, Vent, 240°C	All
WATER SYSTEM-POLYMER			
53	R0470800	Inlet/Outlet Header Assembly, Polymer	All
54	R0454201	Return Header Assembly, Polymer	All
55*	R0454500	Header Hardware Set, Polymer	All
56	R0470606	Heat Exch. Assembly, Complete	125
56	R0470607	Heat Exch. Assembly, Complete	175
56	R0470608	Heat Exch. Assembly, Complete	250
56	R0470609	Heat Exch. Assembly, Complete	325
56	R0470610	Heat Exch. Assembly, Complete	400
56	R0500706	Heat Exch. Assembly, Complete, CuNi	125
56	R0500707	Heat Exch. Assembly, Complete, CuNi	175
56	R0500708	Heat Exch. Assembly, Complete, CuNi	250
56	R0500709	Heat Exch. Assembly, Complete, CuNi	325
56	R0500710	Heat Exch. Assembly, Complete, CuNi	400
57	R0446000	Heat Exch. Drain Plugs, 2/PK Polymer	All
58	R0454000	3" Coupling Nut Kit w/ O-ring	All
N/S	R0454100	O-Ring, Coupling, 2/PK	All
59	R0453701	Bypass Assembly, Polymer	All
60	R0453900	Bypass Spring, Adjustable, Polymer	All
61	R0449000	Tailpiece w/ Union Nut, 2/PK Polymer	All

N/S-Not Shown

Key No.	Part No.	Description	Model No.
WATER SYSTEM-BRONZE			
62	R0470706	Heat Exch. Assembly, Bronze, Complete	125
62	R0470707	Heat Exch. Assembly, Bronze, Complete	175
62	R0470708	Heat Exch. Assembly, Bronze, Complete	250
62	R0470709	Heat Exch. Assembly, Bronze, Complete	325
62	R0470710	Heat Exch. Assembly, Bronze, Complete	400
62	R0500806	Heat Exch. Assembly, Bronze, Complete, CuNi	125
62	R0500807	Heat Exch. Assembly, Bronze, Complete, CuNi	175
62	R0500808	Heat Exch. Assembly, Bronze, Complete, CuNi	250
62	R0500809	Heat Exch. Assembly, Bronze, Complete, CuNi	325
62	R0500810	Heat Exch. Assembly, Bronze, Complete, CuNi	400
63	R0476601	Inlet/Outlet Header Assembly, Bronze, 2"	125
63	R0476602	Inlet/Outlet Header Assembly, Bronze, 2"	175
63	R0476603	Inlet/Outlet Header Assembly, Bronze, 2"	250
63	R0476604	Inlet/Outlet Header Assembly, Bronze, 2"	325
63	R0476605	Inlet/Outlet Header Assembly, Bronze, 2"	400
64	R0476700	Return Header Assembly, Bronze (includes set of 8 gaskets)	All
65	R0476801	Bypass Assembly, Bronze	125
65	R0476802	Bypass Assembly, Bronze	175
65	R0476803	Bypass Assembly, Bronze	250
65	R0476804	Bypass Assembly, Bronze	325
65	R0476805	Bypass Assembly, Bronze	400
66	R0476901	Bypass Spring, Bronze	125
66	R0476902	Bypass Spring, Bronze	175
66	R0476903	Bypass Spring, Bronze	250
66	R0476904	Bypass Spring, Bronze	325
66	R0476905	Bypass Spring, Bronze	400
67	R0011400	Bypass Gasket, Bronze	All
68	R0477200	Heat Exchange Hardware Kit, Bronze	All
69	R0477400	Temp Sensor Mounting Bracket, Bronze	All
70	R0477501	Water Pressure Switch Tubing, Bronze	All
71	R0461500	Flange & Gasket Kit, Bronze	All
72	R0477800	Flange Bolts, Bronze	All
73	R0477900	¾" NPT Plug, Bronze	All
74	R0478000	Header, Drain Plug, Bronze	All
WATER SYSTEM-ALL			
75	R0454300	Header Gasket Assembly (Set of 16)	All
76*	R0453800	Bypass Hardware, Gaskets	All
77	R0490101	Heat Exchanger Tube Assembly, Copper	125
77	R0490102	Heat Exchanger Tube Assembly, Copper	175
77	R0490103	Heat Exchanger Tube Assembly, Copper	250
77	R0490104	Heat Exchanger Tube Assembly, Copper	325
77	R0490105	Heat Exchanger Tube Assembly, Copper	400
78	R0490301	Heat Exchanger Tube Assembly, CuNi	125
78	R0490302	Heat Exchanger Tube Assembly, CuNi	175
78	R0490303	Heat Exchanger Tube Assembly, CuNi	250
78	R0490304	Heat Exchanger Tube Assembly, CuNi	325
78	R0490305	Heat Exchanger Tube Assembly, CuNi	400
79*	R0500001	Baffles, Heat Exchanger	125
79*	R0500002	Baffles, Heat Exchanger	175
79*	R0500003	Baffles, Heat Exchanger	250

Legacy™ Model LRZM Pool/Spa Heater See exploded parts diagram on pages 125–126.

Key No.	Part No.	Description	Model No.
FIREBOX COMPONENTS			
80	R0494906	Combustion Chamber Panels	125
80	R0494907	Combustion Chamber Panels	175
80	R0494908	Combustion Chamber Panels	250
80	R0494909	Combustion Chamber Panels	325
80	R0494910	Combustion Chamber Panels	400
JACKET COMPONENTS			
81	R0470901	Door w/ Latch	125
81	R0470902	Door w/ Latch	175
81	R0470903	Door w/ Latch	250
81	R0470904	Door w/ Latch	325
81	R0470905	Door w/ Latch	400
82	R0334900	Latch Assembly	All
83	R0460300	Grommet, Sealing, 2"	All
84	R0491100	Button Plug, 7/8"	All
85	R0482301	Rear Panel Assembly	125
85	R0482302	Rear Panel Assembly	175
85	R0482303	Rear Panel Assembly	250
85	R0482304	Rear Panel Assembly	325
85	R0482305	Rear Panel Assembly	400
86	R0482400	Side Panel, Right	All
87	R0482500	In/Out Cover Panel, Top	All
88	R0482600	In/Out Cover Panel, Bottom	All
89	R0482700	Side Panel, Left	All
90	R0482800	Return Side Cover, Top	All
91	R0482900	Return Side Cover, Bottom	All
92	R0483101	Heat Shield	125
92	R0483102	Heat Shield	175
92	R0483103	Heat Shield	250
92	R0483104	Heat Shield	325
92	R0483105	Heat Shield	400
93	R0483201	Heat Deflector Guard, Front	125
93	R0483202	Heat Deflector Guard, Front	175
93	R0483203	Heat Deflector Guard, Front	250
93	R0483204	Heat Deflector Guard, Front	325
93	R0483205	Heat Deflector Guard, Front	400
94	R0483401	Rear Partition	125

Key No.	Part No.	Description	Model No.
JACKET COMPONENTS (CONTINUED)			
94	R0483402	Rear Partition	175
94	R0483403	Rear Partition	250
94	R0483404	Rear Partition	325
94	R0483405	Rear Partition	400
95	R0483501	Heat Deflector Guard, Rear	125
95	R0483502	Heat Deflector Guard, Rear	175
95	R0483503	Heat Deflector Guard, Rear	250
95	R0483504	Heat Deflector Guard, Rear	325
95	R0483505	Heat Deflector Guard, Rear	400
96	R0483901	Controller Mounting Panel	125
96	R0483902	Controller Mounting Panel	175
96	R0483903	Controller Mounting Panel	250
96	R0483904	Controller Mounting Panel	325
96	R0483905	Controller Mounting Panel	400
97	R0491000	Weather Stripping	All
98	R0492800	Grommet, 7/8"	All
OPTIONAL COMPONENTS			
99*	R0471001	Noncombustible Base	125
99*	R0471002	Noncombustible Base	175
99*	R0471003	Noncombustible Base	250
99*	R0471004	Noncombustible Base	325
99*	R0471005	Noncombustible Base	400
100*	R0040400	Press Relief Valve Kit, 75 PSI, Bronze	All
101*	R0336100	Press Relief Valve Kit, 75 PSI, Polymer	All
102*	R0335800	Touch-up Spray Paint, Black and Pewter	All
103*	R0336000	Temp Rise Measurement Kit	All

NOTES:

1. All hardware sets contain all pieces necessary for assembly, including gaskets.
2. Gaskets and hardware are included in all kits that involve the removal of a gasket as part of the procedure to replace a part.

* Parts not shown on key view.

** Manifold kit includes installed orifices but does not include gas valve.

Lite2™ LD, LG (Discontinued, Mfg. 2000–2009) Diagram for Lite2 LD, LG Heater on page 131.

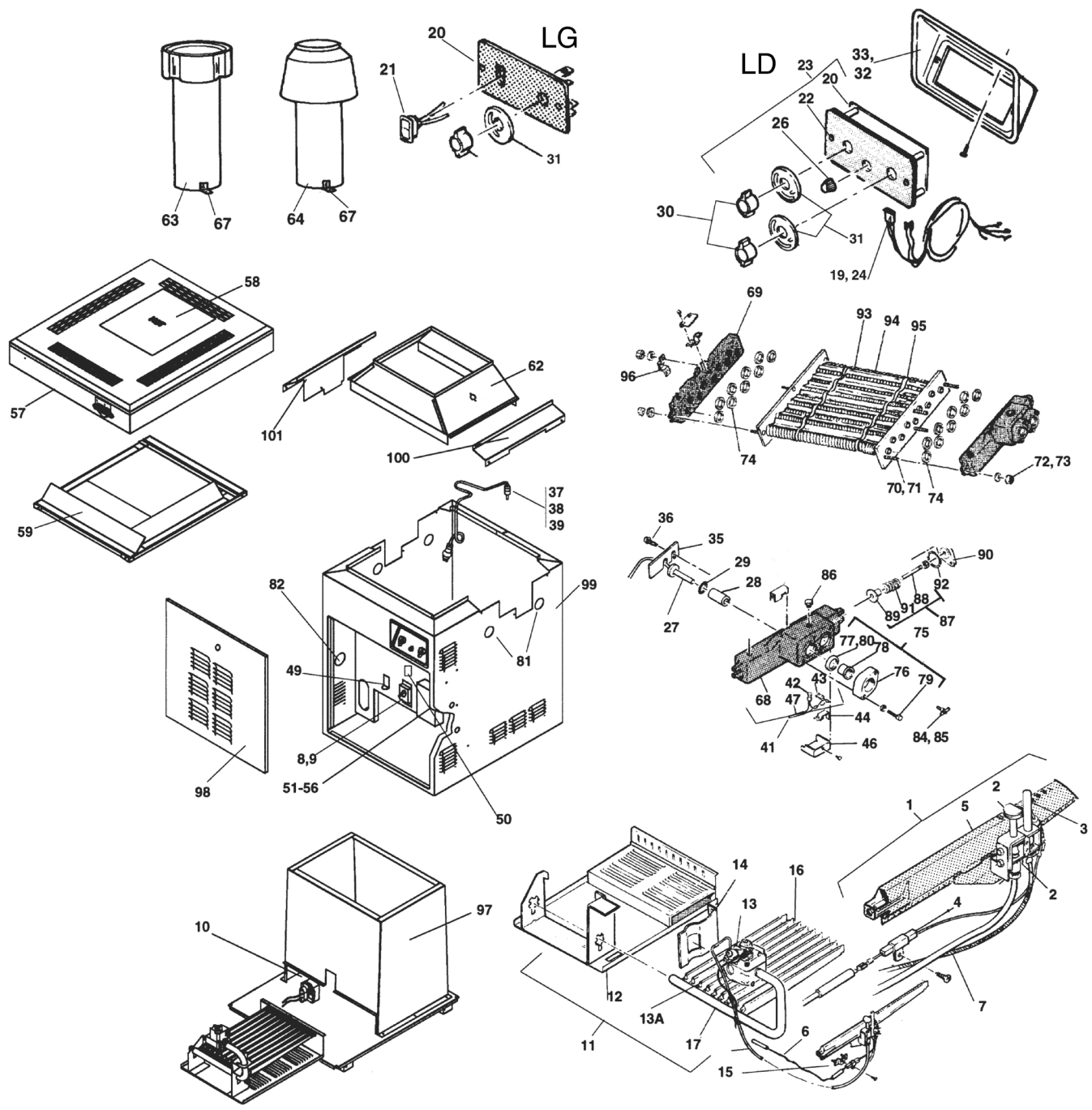
Key No.	Part No.	Description	Model No.
PILOT GAS SYSTEM - LG			
1	R0099200	Pilot, Main Burner Asy, LPG	All
1	R0099100	Pilot, Main Burner Assembly, NAT	All
2	R0096700	Pilot Burner, NAT	All
2	R0096600	Pilot Burner, LPG	All
2A	R0323300	Pilot Shield	All
3	W0036901+	Pilot Generator	All
4	R0011600	Ceramic Insulator Assembly	All
5	10457500+	Burner, Main w/ Pilot Bracket	All
6	R0099000	High Voltage Lead Assembly	All
7	R0037000	Pilot Tubing	All
8,9	R0355900	Piezo Lighter Assembly (use R0096800)	All
9	R0446900	Igniter Box - LD	All
10	R0317200	Ignitor - LD	All
N/S	R0334200	HSI Shield - LD	All
N/S	R0334300	Flame Sensor, LD	All
MAIN GAS ASSEMBLY			
11	R0098601	Burner Tray Assembly, NAT (Note 1) - LG	125
11	R0098602	Burner Tray Assembly, NAT (Note 1) - LG	175
11	R0098603	Burner Tray Assembly, NAT (Note 1) - LG	250
11	R0098604	Burner Tray Assembly, NAT (Note 1) - LG	325
11	R0098605	Burner Tray Assembly, NAT (Note 1) - LG	400
11	R0098701	Burner Tray Assembly, LPG (Note 1) - LG	125
11	R0098702	Burner Tray Assembly, LPG (Note 1) - LG	175
11	R0098703	Burner Tray Assembly, LPG (Note 1) - LG	250
11	R0098704	Burner Tray Assembly, LPG (Note 1) - LG	325
11	R0098705	Burner Tray Assembly, LPG (Note 1) - LG	400
11	R0316901	Burner Tray Assembly, NAT (Note 1) - LD	125
11	R0316902	Burner Tray Assembly, NAT (Note 1) - LD	175
11	R0316903	Burner Tray Assembly, NAT (Note 1) - LD	250
11	R0316904	Burner Tray Assembly, NAT (Note 1) - LD	325
11	R0316905	Burner Tray Assembly, NAT (Note 1) - LD	400
11	R0319501	Burner Tray Assembly, LPG (Note 1) - LD	125
11	R0319502	Burner Tray Assembly, LPG (Note 1) - LD	175
11	R0319503	Burner Tray Assembly, LPG (Note 1) - LD	250
11	R0319504	Burner Tray Assembly, LPG (Note 1) - LD	325
11	R0319505	Burner Tray Assembly, LPG (Note 1) - LD	400
12	R0317001	Burner Tray, Shelf Only	125
12	R0317002	Burner Tray, Shelf Only	175
12	R0317003	Burner Tray, Shelf Only	250
12	R0317004	Burner Tray, Shelf Only	325
12	R0317005	Burner Tray, Shelf Only	400
13	R0096400	Gas Valve, NAT - LG	All
13	R0096900	Gas Valve, LPG - LG	All
13	R0317100	Gas Valve, NAT - LD	All
13	R0319600	Gas Valve, LPG - LD	All
13A	L0032200+	Gas Orifice, NAT (Note 1)	All
13A	L0032900+	Gas Orifice, LPG (Note 1)	All
14	10577200+	Anti-Rotation Bracket	All
15	10419200+	Mounting Bracket Assembly	All
16	R0469800	Burner, Main	All
17	L0052200+	Burner Manifold	125
17	L0006300+	Burner Manifold	175
17	L0006400+	Burner Manifold	250
17	L0006500+	Burner Manifold	325

Key No.	Part No.	Description	Model No.
17	L0006600+	Burner Manifold	400
ELECTRICAL SYSTEM			
18	R0058200	Temperature Control Assembly - LG	All
19	R0058000	Wire Harness	All
21	R0099800	On-Off Switch	All
22	H0201100	Temperature Control Label	All
23	R0011700	Temperature Control Assembly - LD	All
24	R0058100	Wire Harness Assembly	All
N/S	R0325900	Wire Harness Set, Complete, R-Kit	All
26	R0099900	Knob, Single Bar	All
Key Nos. 27– 36 are for both R582 and R117			
27	R0011800	Temperature Sensor	All
28	10444900+	Protector Sleeve, Bulb	All
	10462200+	Retainer Clip	All
29	R0456600	O-ring, Temperature Control Bulb	All
30	R0010700	Thermostat Knob, Black	All
31	10583100+	Temp-Lok Stop Plate (Not Shown)	All
32	R0318800	Temperature Control Gasket	All
33	S0069800+	Bezel	All
N/S	R0474600	Stop Plate Screw	All
35	10447300+	Retainer Bracket	All
36	F0009100+	Retainer Bracket Screw	All
37	N/A	Pressure Switch and Siphon Loop Assembly	All
38	R0013200	Pressure Switch, 2 PSI	All
38	R0015500	Pressure Switch, 1–10 PSI	All
39	R0057800	Siphon Loop Assembly	All
N/S	10654300	Salt Syphon Loop Tube	All
41	R0023200	High-Limit Switch Assembly	All
42	R0022700	High-Limit Switch, 135°F	All
43	R0023000	High-Limit Switch, 150°F	All
44	R0532100	High-Limit Switch Retainer Clip	All
45	10419300+	High-Limit Switch Retainer Boot	All
46	10418300+	High-Limit Switch Retainer Cover	All
47	10419300+	High-Limit Switch Retainer Wire Harness	All
48	R0012200	Fusible Link Assembly	All
49	10479900+	Fusible Link Bracket	All
50	R0097800	Terminal Block	All
51	R0317500	Ignition Control Assembly - LD	All
52	R0408100	Ignition Control - LD	All
53	R0059800	Harness Assembly	All
54	R0061100	Transformer (115V–220V/24V)	All
55	10451200+	Ignition Control Panel	All
56	10480000+	In-Line Fuse Assembly	All
VENT SYSTEM			
57	R0343401	Top Enclosure	125
57	R0343402	Top Enclosure	175
57	R0343403	Top Enclosure	250
57	R0343404	Top Enclosure	325
57	R0343405	Top Enclosure	400
58	R0343701	Top Filler	125
58	R0343702	Top Filler	175
58	R0343703	Top Filler	250
58	R0343704	Top Filler	325
58	R0343705	Top Filler	400

Continued on next page.

Pumps
Filters
Heaters
Heat Pumps
Automation
Water Leveling
Water Sanitizers
Valves
Water Designs
Lighting
Cleaners
Accessories

Lite2™ LD, LG (Discontinued, Mfg. 2000–2009) Parts List for Lite2 LD, LG Heater starts on page 130.



Key No.	Part No.	Description	Model No.
VENT SYSTEM (CONTINUED)			
59	R0318301	Rainshield Kit	125
59	R0318302	Rainshield Kit	175
59	R0318303	Rainshield Kit	250
59	R0318304	Rainshield Kit	325
59	R0318305	Rainshield Kit	400

Key No.	Part No.	Description	Model No.
62	R0316401	Flue Collector Assembly	125
62	R0316402	Flue Collector Assembly	175
62	R0316403	Flue Collector Assembly	250
62	R0316404	Flue Collector Assembly	325
62	R0316405	Flue Collector Assembly	400
63	10561501	Outdoor Vent Cap	125

Lite2™ LD, LG (Discontinued, Mfg. 2000–2009) Diagram for Lite2 LD, LG Heater on page 131.

Key No.	Part No.	Description	Model No.
VENT SYSTEM (CONTINUED)			
63	10561502	Outdoor Vent Cap	175
63	10561503	Outdoor Vent Cap	250
63	10561504	Outdoor Vent Cap	325
63	10561505	Outdoor Vent Cap	400
64	10561401	Indoor Drafthood	125
64	10561402	Indoor Drafthood	175
64	10561403	Indoor Drafthood	250
64	10561404	Indoor Drafthood	325
64	10561405	Indoor Drafthood	400
N/S	10861901	Flue Transition Plate	125
N/S	R0473102	Flue Transition Plate	175
N/S	10861903	Flue Transition Plate	250
N/S	10861904	Flue Transition Plate	325
N/S	10861905	Flue Transition Plate	400
N/S	R0449701	Adapter Plate	125
N/S	R0449702	Adapter Plate	175
N/S	R0449703	Adapter Plate	250
N/S	R0449704	Adapter Plate	325
N/S	R0449705	Adapter Plate	400
67	R0532300	Clip	All
WATER SYSTEM			
68	R0056400	Inlet/Outlet Header, 2"	All
68	R0016800	Inlet/Outlet Header, Bronze, 2"	All
69	R0058300	Return Header	All
69	R0054600	Return Header, Bronze	All
70	R0057000	Header Bolt Assembly	All
72	F0011100+	Washer for Headers	All
73	F0003100+	Nut for Headers	All
74	R0050800	Header Gasket Assembly (Set of 18)	All
75	R0055000	Flange & Gasket Assembly (Note 3)	All
76	10573500+	Flange, 2"	All
77	S0078000+	Flange Gasket, 2"	All
78	S0078200+	Flange Sleeve, 2"	All
79	R0477600	Flange Bolt, Superseded by R0461500	All
80	S0078100+	Flange Gasket, 1½ – 2"	All
	R0205200	Adapter, 2" CPVC Nipple	
81	R0316300	Grommet for Drain Plug	All
82	R0460300	Grommet, Slitted	All
83	S0098700	Hole Plug	All
84	P0026800+	Drain Plug	All
85	P0018500	Drain Plug Bushing	All
86	P0027000+	Brass Plug, ¾"	All
87	R0054900	By-Pass Assembly (Does not include spring)	All
88	R0391800	By-Pass Valve Rod	All
89	R0011500	By-Pass Valve Disc	All
90	R0054900	By-Pass Valve Control Cap	All
91	S0079900+	By-Pass Valve Spring, Purple	125
91	S0061400+	By-Pass Valve Spring, White	175
91	S0061300+	By-Pass Valve Spring, Red	250
91	S0061200+	By-Pass Valve Spring, Blue	325
91	S0070100+	By-Pass Valve Spring, Black	400
92	R0011400	By-Pass Valve Gasket	All

Key No.	Part No.	Description	Model No.
WATER SYSTEM (CONTINUED)			
93	R0018101	Heat Exch. Tube Assembly	125
93	R0018102	Heat Exch. Tube Assembly	175
93	R0018103	Heat Exch. Tube Assembly	250
93	R0018104	Heat Exch. Tube Assembly	325
93	R0018105	Heat Exch. Tube Assembly	400
94	10697401+	Heat Exch. Baffle (8 Required)	125
94	10697402+	Heat Exch. Baffle (8 Required)	175
94	10697403+	Heat Exch. Baffle (8 Required)	250
94	10697404+	Heat Exch. Baffle (8 Required)	325
94	10697405+	Heat Exch. Baffle (8 Required)	400
95	S0083900+	Baffle Retainer	All
96	-	Heat Exch. Support Clip (Note 4)	All
FIREBOX COMPONENTS			
97	R0316701	Complete Chamber Assembly	125
97	R0316702	Complete Chamber Assembly	175
97	R0316703	Complete Chamber Assembly	250
97	R0316704	Complete Chamber Assembly	325
97	R0316705	Complete Chamber Assembly	400
JACKET COMPONENTS			
98	R0343601	Door w/ Latch	125
98	R0343602	Door w/ Latch	175
98	R0343603	Door w/ Latch	250
98	R0343604	Door w/ Latch	325
98	R0343605	Door w/ Latch	400
99	R0343501	Jacket Assembly, Less Top Assembly	125
99	R0343502	Jacket Assembly, Less Top Assembly	175
99	R0343503	Jacket Assembly, Less Top Assembly	250
99	R0343504	Jacket Assembly, Less Top Assembly	325
99	R0343505	Jacket Assembly, Less Top Assembly	400
100	R0344300	Gap Closure, Inlet/Outlet	All
101	R0344400	Gap Closure, Return	All
102	10462200+	Retainer Clip	All
OPTIONAL COMPONENTS			
N/S	10521701+	Noncombustible Base	125
N/S	10521702+	Noncombustible Base	175
N/S	10521703+	Noncombustible Base	250
N/S	10521704+	Noncombustible Base	325
N/S	10521705+	Noncombustible Base	400
N/S	R0040400	Pressure Relief Valve ¾" NPT, 75 PSI	All
N/S	R0341400	Lock Box Assembly, LLG	All
N/S	R0335800	Touch Up Spray Paint, Black and Pewter	All
N/S	R0398400	3-Wire Harness, Remote Control	All

N/S-Not Shown N/A-Not Available

Notes:

1. For altitudes 2,000 feet above sea level, see page 99 or appendix.
2. See appendix.
3. Two included in assembly.
4. For shipping only.

Lite2™ LJ (Discontinued, Mfg. 2003–2009) Diagram for Lite2 LJ Heater on page 134.

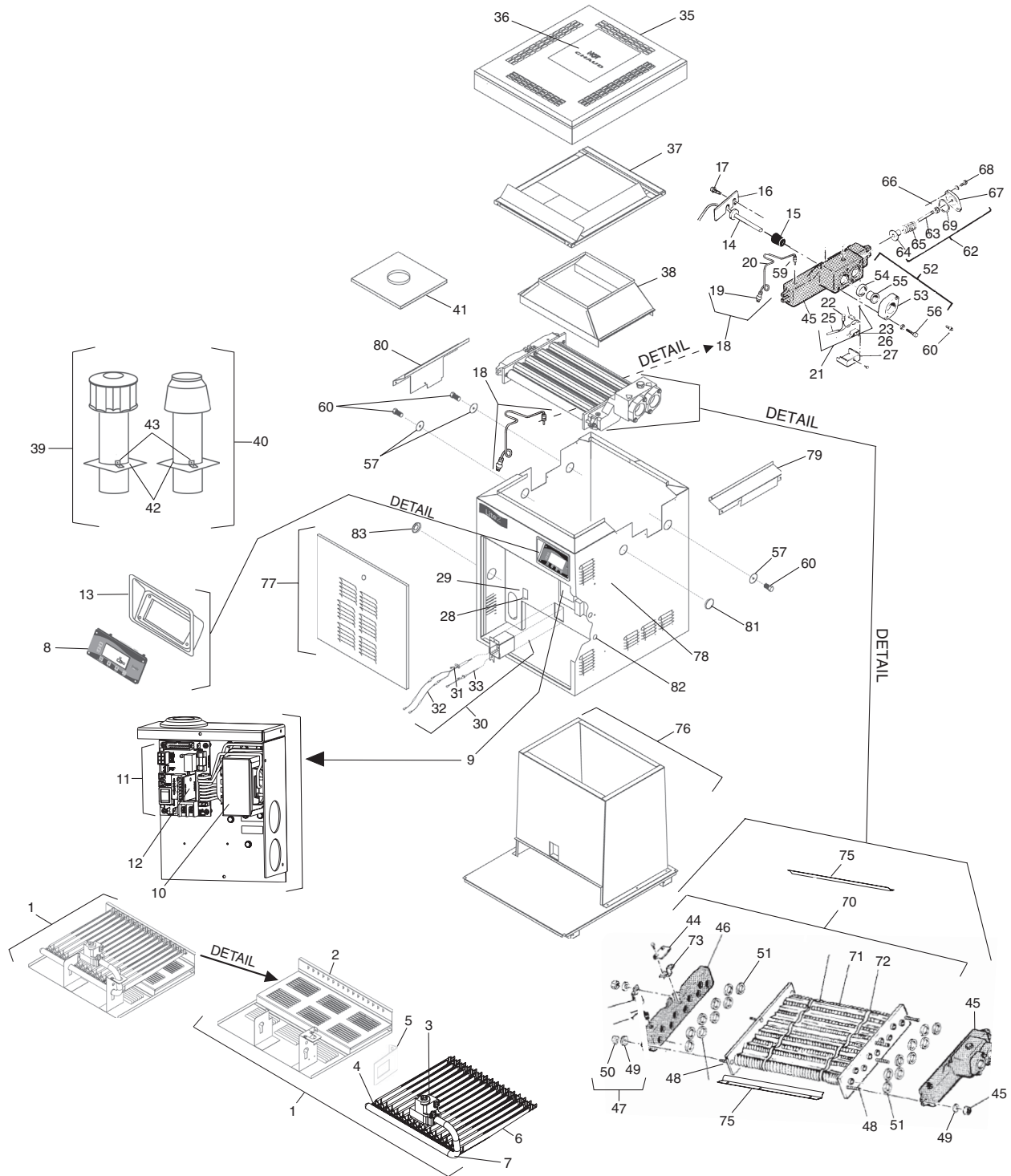
Key No.	Part No.	Description	Model No.
MAIN GAS ASSEMBLY			
1	R0383601	Burner Tray Assembly, NAT	125
1	R0383602	Burner Tray Assembly, NAT	175
1	R0383603	Burner Tray Assembly, NAT	250
1	R0383604	Burner Tray Assembly, NAT	325
1	R0383605	Burner Tray Assembly, NAT	400
1	R0383701	Burner Tray Assembly, LPG	125
1	R0383702	Burner Tray Assembly, LPG	175
1	R0383703	Burner Tray Assembly, LPG	250
1	R0383704	Burner Tray Assembly, LPG	325
1	R0383705	Burner Tray Assembly, LPG	400
2	R0317001	Burner Tray, Shelf Only	125
2	R0317002	Burner Tray, Shelf Only	175
2	R0317003	Burner Tray, Shelf Only	250
2	R0317004	Burner Tray, Shelf Only	325
2	R0317005	Burner Tray, Shelf Only	400
3	R0317100	Gas Valve, NAT	All
3	R0319600	Gas Valve, LPG	All
4	L0032200+	Gas Orifice, NAT LPG 0–3,000 ft alt. (EA.) ¹	All
4	L0032900+	Gas Orifice, LPG 0–5,000 ft alt. (EA.) ²	All
5	10835900	Anti-Rotation Bracket	All
6	R0469800	Burner, Main	All
7	L0052200+	Burner Manifold	125
7	L0006300+	Burner Manifold	175
7	L0006400+	Burner Manifold	250
7	L0006500+	Burner Manifold	325
7	L0006600+	Burner Manifold	400
ELECTRICAL SYSTEM			
8	R0366200	Heater Control Assembly	All
9	R0366500	High Voltage Assembly	All
N/S	R0384900	High Voltage Assembly Fuse	400
10	R0366700	Transformer w/ Wiring Harness	All
11	R0366800	Power Control Board	All
12	R0366900	115/230 VAC Conversion Plug	All
13	S0069800+	Bezel	All
14	R0367000	Temperature Sensor	All
N/S	10462200+	Retainer Clip	All
16	10447300+	Temperature Sensor Retainer Bracket	All
17	F0009100+	Retainer Bracket Screw	All
18	R0097600	Pressure Switch and Siphon Loop Assembly (2 PSI) Use R0013200 and R0057800	All
19	R0013200	Pressure Switch, 2 PSI	All
19	R0015500	Pressure Switch, 1–10 PSI	All
20	R0057800	Siphon Loop Assembly	All
N/S	10654300	Salt Syphon Loop Tube	All
21	R0023200	High-Limit Switch Assembly	All
22	R0022700	High-Limit Switch, 135° F	All
23	R0023000	High-Limit Switch, 150° F	All
N/S	S0098900	High-Limit Switch Retainer Boot (Use #10419300+)	All
25	10419301+	High-Limit Switch Wire Harness w/ High Limits	All
26	R0532100	High-Limit Switch Retainer Clip	All

Key No.	Part No.	Description	Model No.
ELECTRICAL SYSTEM (CONTINUED)			
28	R0012200	Fusible Link Assembly	All
29	10479900+	Fusible Link Bracket	All
30	R0449800	Igniter Box Assembly R-Kit	All
30	R0383900	Igniter Box Assembly Kit (Use R0449800)	All
31	R0367100	Igniter (Pre 2006 units)	All
31	R0449800	Igniter (2006 and later units)	All
32	R0383300	Igniter Fuse Assembly, 2/PK	All
33	R0334300	Flame Sense Rod	All
N/S	R0366600	Wire Harnesses, Temp/Ignition Control	All
N/S	R0325900	Wire Harness Set, Complete, R-Kit	All
VENT SYSTEM			
35	R0343401	Top Enclosure	125
35	R0343402	Top Enclosure	175
35	R0343403	Top Enclosure	250
35	R0343404	Top Enclosure	325
35	R0343405	Top Enclosure	400
36	R0343701	Top Filler Plate	125
36	R0343701	Top Filler Plate	175
36	R0343701	Top Filler Plate	250
36	R0343701	Top Filler Plate	325
36	R0343701	Top Filler Plate	400
37	R0318301	Rainshield Kit	125
37	R0318302	Rainshield Kit	175
37	R0318303	Rainshield Kit	250
37	R0318304	Rainshield Kit	325
37	R0318305	Rainshield Kit	400
38	R0316401	Flue Collector Assembly	125
38	R0316402	Flue Collector Assembly	175
38	R0316403	Flue Collector Assembly	250
38	R0316404	Flue Collector Assembly	325
38	R0316405	Flue Collector Assembly	400
39	10561501	Outdoor Vent Cap	125
39	10561502	Outdoor Vent Cap	175
39	10561503	Outdoor Vent Cap	250
39	10561504	Outdoor Vent Cap	325
39	10561505	Outdoor Vent Cap	400
40	10561401	Indoor Draffhood	125
40	10561402	Indoor Draffhood	175
40	10561403	Indoor Draffhood	250
40	10561404	Indoor Draffhood	325
40	10561405	Indoor Draffhood	400
41	R0473101	Flue Transition Plate (Old #10861901)	125
41	R0473102	Flue Transition Plate (Old #10861902)	175
41	R0473103	Flue Transition Plate (Old #10861903)	250
41	R0473104	Flue Transition Plate (Old #10861904)	325
41	R0473105	Flue Transition Plate (Old #10861905)	400
42	R0449701	Adapter Plate	125
42	R0449702	Adapter Plate	175
42	R0449703	Adapter Plate	250

N/A - Not Available N/S-Not Shown

Continued on next page.

Lite2™ LJ (Discontinued, Mfg. 2003–2009)



Parts List for Lite2 LJ Heater starts on page 133.

Lite2™ LJ (Discontinued, Mfg. 2003–2009) Diagram for Lite2 LJ Heater on page 134.

Key No.	Part No.	Description	Model No.
VENT SYSTEM (CONTINUED)			
42	R0449704	Adapter Plate	325
42	R0449705	Adapter Plate	400
43	10211000	Clip (Use #R0532300)	All
44	10726300	Flue Collector Hold Down Clamp	All
WATER SYSTEM			
45	R0056400	Inlet/Outlet Header, 2"	All
45	R0016800	Inlet/Outlet Header, Bronze, 2"	All
46	R0054600	Return Header, Bronze (Includes set of 9 gaskets)	All
46	R0058300	Return Header, Cast Iron (Includes set of 9 gaskets)	All
47	R0057000	Header Bolt Assembly, 8/PK	All
49	F0011100+	Washer for Headers	All
50	F0003100+	Nut for Headers	All
51	R0050800	Header Gasket Assembly, 18/PK	All
52	R0055000	Flange & Gasket Assembly, 2/PK	All
53	10573500+	Flange, 2"	All
54	S0078000+	Flange Gasket, 2"	All
54	S0078100+	Flange Gasket, 1½–2"	All
55	S0078200+	Flange Sleeve, 2"	All
56	R0477600	Flange Bolt, Superseded by R0461500	All
N/S	R0205200	Adapter, 2" CPVC Nipple	All
57	R0316300	Rubber Grommet for Drain Plug	All
59	P0019700+	Brass Connector Body	All
60	P0026800+	Brass Drain Plug ¼"	All
61	P0027000+	Brass Plug, ¾"	All
62	R0013100	By-Pass Assy w/o Spring (Iron Cap)	All
62	R0452801	By-Pass Assy w/ Spring (Bronze Cap)	125
62	R0452802	By-Pass Assy w/ Spring (Bronze Cap)	175
62	R0452803	By-Pass Assy w/ Spring (Bronze Cap)	250
62	R0452804	By-Pass Assy w/ Spring (Bronze Cap)	325
62	R0452805	By-Pass Assy w/ Spring (Bronze Cap)	400
63	S0079800+	By-Pass Valve Rod	All
64	R0011500	By-Pass Valve Disc	All
65	S0079900+	By-Pass Valve Spring, Purple	125
65	S0061400+	By-Pass Valve Spring, White	175
65	S0061300+	By-Pass Valve Spring, Red	250
65	S0061200+	By-Pass Valve Spring, Blue	325
65	S0070100+	By-Pass Valve Spring, Black	400
66	F0048400+	Brass Nut (For Rod)	All
67	R0054900	By-Pass Valve Control Cap (Iron)	All
67	R0054901	By-Pass Valve Control Cap (Bronze)	All
68	F0041600+	Control Cap Bolts (2 Required)	All
69	R0011400	By-Pass Valve Gasket	All
70	R0018101	Heat Exch. Tube Assembly (Incl. set of 18 gaskets)	125
70	R0018102	Heat Exch. Tube Assembly (Incl. set of 18 gaskets)	175
70	R0018103	Heat Exch. Tube Assembly (Incl. set of 18 gaskets)	250
70	R0018104	Heat Exch. Tube Assembly (Incl. set of 18 gaskets)	325

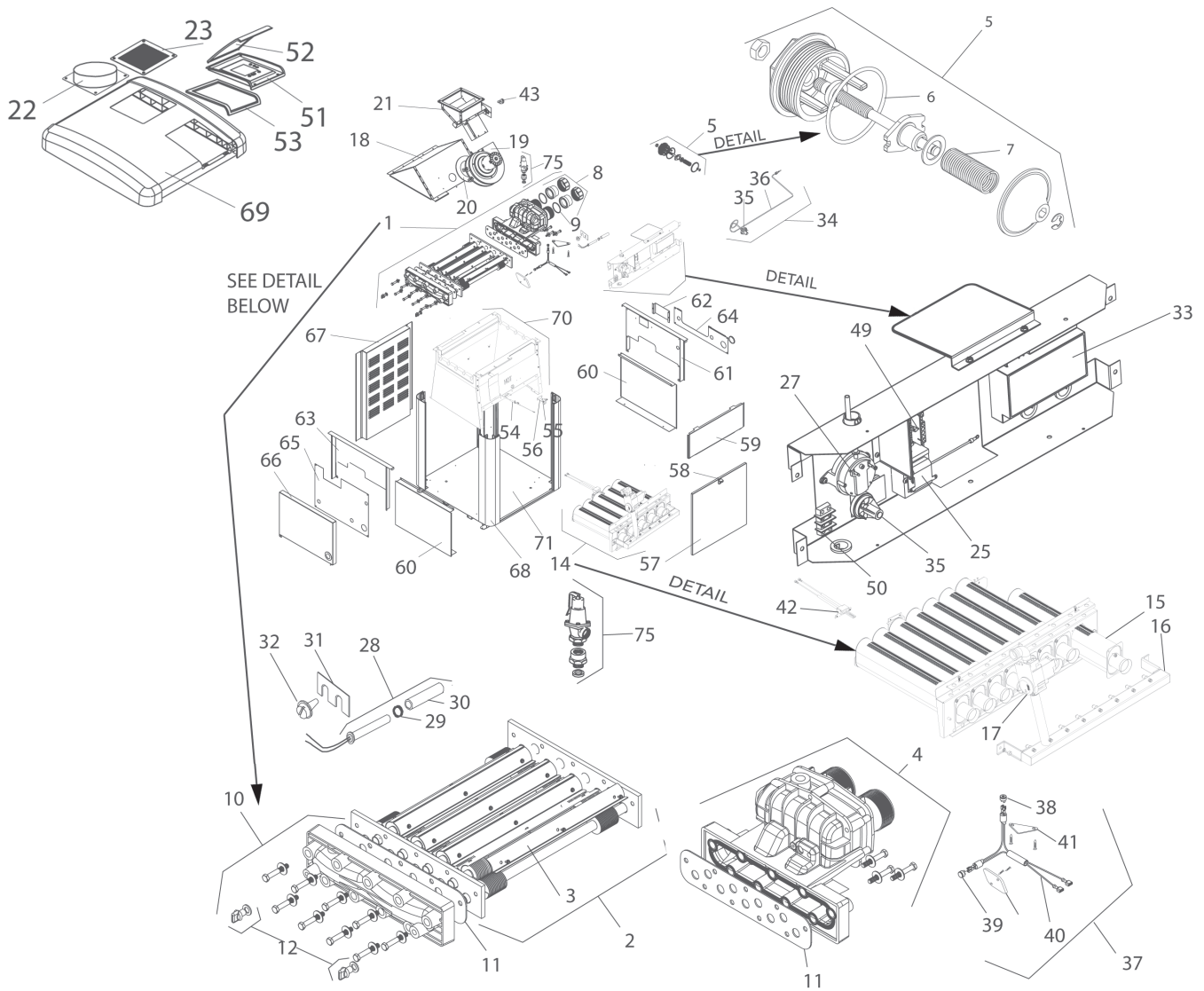
Key No.	Part No.	Description	Model No.
WATER SYSTEM (CONTINUED)			
70	R0018105	Heat Exch. Tube Assembly (Incl. set of 18 gaskets)	400
71	10697401+	Heat Exch. Baffle (8 Required)	125
71	10697402+	Heat Exch. Baffle (8 Required)	175
71	10697403+	Heat Exch. Baffle (8 Required)	250
71	10697404+	Heat Exch. Baffle (8 Required)	325
71	10697405+	Heat Exch. Baffle (8 Required)	400
72	S0083900+	Baffle Retainer	All
73	10457000	Heat Exchanger Support Clip (2 Req'd)	All
N/S	S0000300+	Flow Restrictors (2 Required)	125
75	R0332301	Heat Exchanger End Baffles (2 Req'd)	125
75	R0332302	Heat Exchanger End Baffles (2 Req'd)	175
75	R0332303	Heat Exchanger End Baffles (2 Req'd)	250
FIREBOX COMPONENTS			
76	R0383101	Complt. Combustion Chamber Assy	125
76	R0383102	Complt. Combustion Chamber Assy	175
76	R0383103	Complt. Combustion Chamber Assy	250
76	R0383104	Complt. Combustion Chamber Assy	325
76	R0383105	Complt. Combustion Chamber Assy	400
JACKET COMPONENTS			
77	R0343601	Door w/ Latch	125
77	R0343602	Door w/ Latch	175
77	R0343603	Door w/ Latch	250
77	R0343604	Door w/ Latch	325
77	R0343605	Door w/ Latch	400
78	R0343501	Jacket Assembly, Less Top Assy	125
78	R0343502	Jacket Assembly, Less Top Assy	175
78	R0343503	Jacket Assembly, Less Top Assy	250
78	R0343504	Jacket Assembly, Less Top Assy	325
78	R0343505	Jacket Assembly, Less Top Assy	400
79	R0344300	Gap Closure, Inlet/Outlet	All
80	R0344400	Gap Closure, Return	All
81	F0035300+	Button Plug, 1¼"	All
82	R0210100	Button Plug, 7/8"	All
83	R0460300	Grommet, Sealing, 2"	All
OPTIONAL COMPONENTS			
N/S	10521701+	Noncombustible Base	125
N/S	10521702+	Noncombustible Base	175
N/S	10521703+	Noncombustible Base	250
N/S	10521704+	Noncombustible Base	325
N/S	10521705+	Noncombustible Base	400
N/S	R0040400	Pressure Relief Valve ¾" NPT, 75 PSI	All
N/S	R0335800	Touch Up Spray Paint, Black and Pewter	All
N/S	R0398400	Remote Control Wire Harness	All
N/S	R0444800	Fuse Set, Complete	All

N/S-Not Shown

Notes:

1. For altitudes 2,000 ft. above sea level, call factory for orifice size.
2. For altitudes 5,000 ft. above sea level, call factory for orifice size.
3. Gaskets and hardware are included in all kits that require the removal of a gasket as part of the procedure to replace a part.

LX™/LT™ Low NOx (Discontinued, Mfg. 2003–2007)



Key No.	Part No.	Description	Model No.
WATER COMPONENTS			
1	R0326303	Complete Heat Exchanger (Copper)	250
1	R0326305	Complete Heat Exchanger (Copper)	400
1	R0395703	Bronze Heat Exchanger, Cu, Complete	250
1	R0395705	Bronze Heat Exchanger, Cu, Complete	400
1	R0395803	ASME® Heat Exchanger Tube Assembly	250
1	R0395805	ASME Heat Exchanger Tube Assembly	400
2	R0395708	Bronze Heat Exchanger, CuNi, Complt.	250
2	R0395710	Bronze Heat Exchanger, CuNi, Complt.	400
3	R0334403	Heat Exchanger Baffles (Set of 10 including end baffles)	250
3	R0334405	Heat Exchanger Baffles (Set of 10 including end baffles)	400
4	R0326900	Front Header, w/ Hdwr and Gskts	All
5	R0327100	By-Pass Assembly, w/ Hdwr and Gskts	All

Key No.	Part No.	Description	Model No.
6	R0336700	Gasket, Bypass Assembly	All
7	R0327200	Spring, Bypass	All
8	R0327300	Coupling Nut Kit, w/ Gasket, 2/PK	All
9	R0327400	Gasket, Coupling, 2/PK	All
10	R0327000	Rear Header, w/ Hardware and Gaskets	All
11	R0327500	Gasket, Header (front or rear)	All
12	R0335900	Header Drain Plug w/ Gasket, 3/PK	All
N/S	R0327600	Heat Exch. Hardware Kit and Gaskets	All
GAS COMPONENTS			
14	R0386203	Burner Tray Assembly (Nat. Low Altitude)	250
14	R0386205	Burner Tray Assembly (Nat. Low Altitude)	400

N/S-Not Shown

Continued on next page.

Pumps
Filters
Heaters
Heat Pumps
Automation
Water Leveling
Water Sanitizers
Valves
Water Designs
Lighting
Cleaners
Accessories

LX™/LT™ Low NOx (Discontinued, Mfg. 2003–2007) Parts Diagram on page 136.

Key No.	Part No.	Description	Model No.
GAS COMPONENTS (CONTINUED)			
14	R0394703	Burner Tray Assembly (Nat. Mid Altitude)	250
14	R0394705	Burner Tray Assembly (Nat. Mid Altitude)	400
14	R0394803	Burner Tray Assembly (Nat. Hi Altitude)	250
14	R0394805	Burner Tray Assembly (Nat. Hi Altitude)	400
14	R0394503	Burner Tray Assembly (LP Low Altitude)	250
14	R0394505	Burner Tray Assembly (LP Low Altitude)	400
14	R0394603	Burner Tray Assembly (LP Hi Altitude)	250
14	R0394605	Burner Tray Assembly (LP Hi Altitude)	400
15	R0386400	Burners (Ea.)	All
**16	R0395003	Manifold, Gas, Nat. (Low Altitude)	250
**16	R0395005	Manifold, Gas, Natural (Low Altitude)	400
**16	R0394303	Manifold, Gas, Natural (Mid Altitude)	250
**16	R0394305	Manifold, Gas, Natural (Mid Altitude)	400
**16	R0394403	Manifold, Gas, Natural (High Altitude)	250
**16	R0394405	Manifold, Gas, Natural (High Altitude)	400
**16	R0394103	Manifold, Gas, LP (Low Altitude)	250
**16	R0394105	Manifold, Gas, LP (Low Altitude)	400
**16	R0394203	Manifold, Gas, LP (High Altitude)	250
**16	R0394205	Manifold, Gas, LP (High Altitude)	400
17	R0386600	Gas Valve Nat w/ Street Elbow	All
17	R0336900	Gas Valve LP w/ Street Elbow	All
EXHAUST SYSTEM			
18	R0386703	Flue Collector	250
18	R0386705	Flue Collector	400
19	R0329800	Blower Assembly	All
20	R0329900	Blower Mounting Hardware	All
21	R0331500	Flue Vent Assembly	All
22	R0331403	Indoor Vent Collar	250
22	R0331405	Indoor Vent Collar	400
23	R0328500	Outdoor Grill	All
N/S	R0331600	Vent Hardware Kit	All
ELECTRICAL			
25	R0061100	Transformer	All
N/S	R0337100	Fuse Assembly, In-line	All
27	R0302000	Blower Pressure Switch	All
28	R0011800	Temperature Sensor w/ Sleeve and Gskt	All
29	R0456600	Gasket, Temperature Sensor	All
30	10444900+	Plastic Sleeve, Temperature Sensor	All
31	10447300+	Retainer Bracket, Temp. Sensor	All
32	F0009100+	Screw, Retainer Bracket	All
33	R0386800	Ignition Control	All
35	R0013200	Pressure Switch, 2 psi	All
36	R0334600	Siphon Loop	All
37	R0023200	High Limits Set	All
38	R0022700	High Limit 135°F	All
39	R0023000	High Limits 150°F	All
40	R0334700	Harness, High Limit Switch	All
41	R0336500	Retainer Plates, High Limit, 2/PK	All
42	R0386900	Hot Surface Ignitor	All
43	R0329400	Exhaust Temp. Limit Switch	All
N/S	R0397600	Wire Harness Set Complete	All
N/S	R0330900	Wire Harness, Power Transformer	All
N/S	R0369500	Wire Harness with PCB	All
N/S	R0331000	Wire Harness, Ignition Control	All
N/S	R0331100	Wire Harness, Gas Valve	All
N/S	R0331200	Wire Harness, Safety Loop	All
49	R0397500	Power Distribution Circuit Board	All

Key No.	Part No.	Description	Model No.
50	R0097800	Terminal Block for Fireman's Switch	All
51	R0329600	Temperature Control w/ Bezel, Gasket & Cover - LX Only	All
N/S	R0350500	Temperature Control w/ Bezel, Gasket and Cover - LT Only	All
52	R0330600	Cover, Temperature Control	All
53	R0387600	Gasket, Temp Control/Top	All
54	R0387000	Flame Sense Rod	All
55	R0012200	Fusible Link	All
56	R0337200	Bracket, Fusible Link	All
JACKET COMPONENTS			
57	R0387103	Door w/ Latch	250
57	R0387105	Door w/ Latch	400
58	R0334900	Door Latch Assembly w/ Handle	All
59	R0335103	Cover Panel, Raceway	250
59	R0335105	Cover Panel, Raceway	400
60	R0330100	Panel, Side, Lower (fits left or right)	All
61	R0330200	Panel, Right Side, Upper	All
62	R0336600	Cover Panel, Exhaust Switch	All
63	R0335200	Panel, Left Side, Upper	All
64	R0335300	Cover Plate, I/O Header Side	All
65	R0335400	Cover Plate, Return Header Side	All
66	R0335500	Cover Panel, Left Side	All
67	R0330303	Rear Panel	250
67	R0330305	Rear Panel	400
68	R0330400	Corner Posts	All
69	R0330503	Top Assembly.	250
69	R0330505	Top Assembly.	400
70	R0387203	Combustion Chamber Assembly	250
70	R0387205	Combustion Chamber Assembly	400
71	R0335608	Base Panel	250
71	R0335610	Base Panel	400
OPTIONAL			
N/S	R0330803	Noncombustible Base	250
N/S	R0330805	Noncombustible Base	400
N/S	R0335800	Touch-up Paint	All
N/S	R0336000	Temperature Rise Measurement Kit	All
75	R0336100	Pressure Relief Valve	All
N/S	R0382800	High Temp Silicone Sealant	All
N/S	R0383200	Sensor Stud Assy Brass Dry Well Fitting	All

N/S-Not Shown

NOTES:

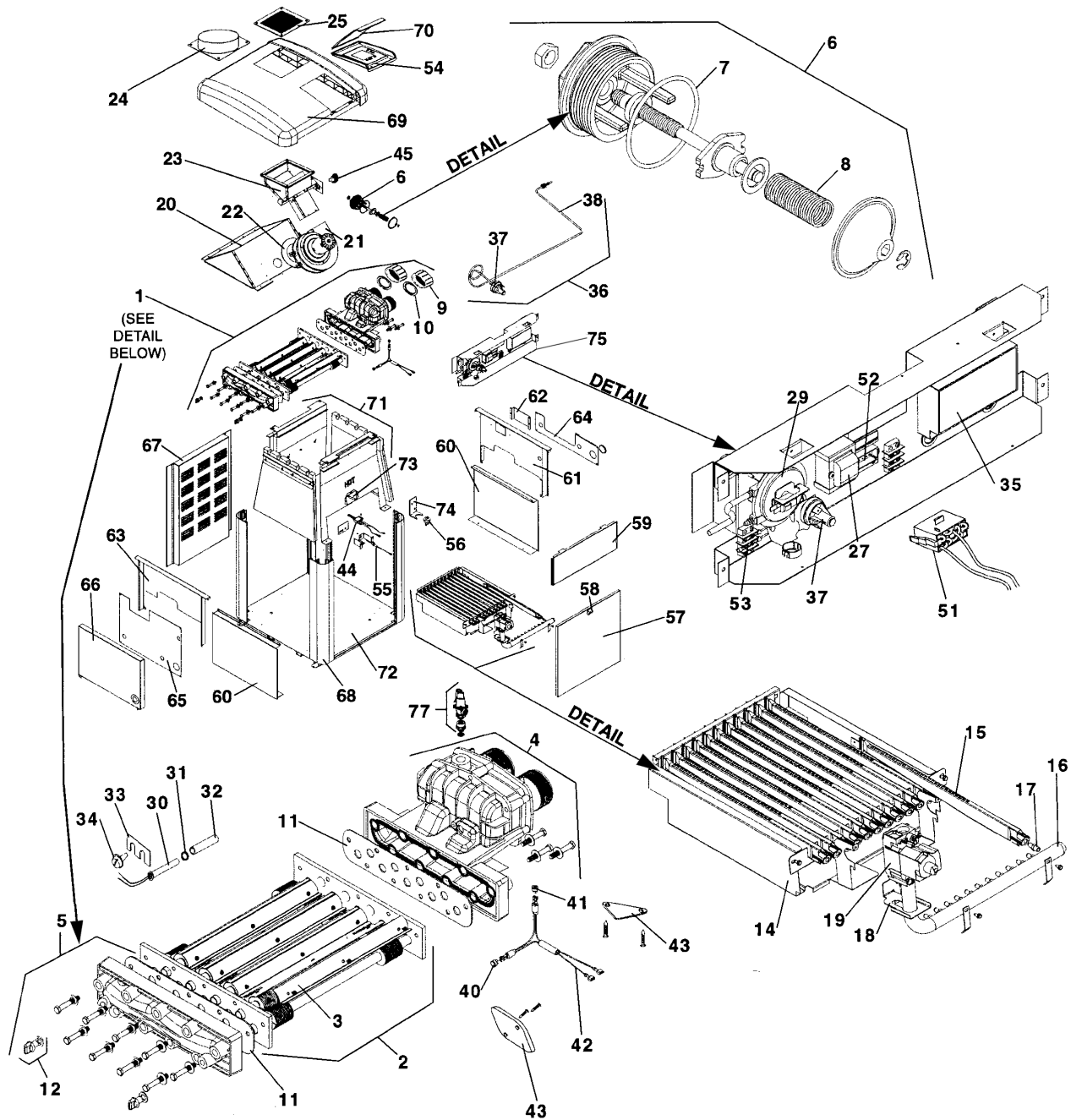
- When ordering a kit for a model 250 specify as R#####-03, When ordering a kit for a model 400 specify as R#####-05.
- All hardware sets contain all pieces necessary for assembly, including gaskets. Not shown.
- Gaskets and hardware are included in all kits that involve the removal of a gasket as part of the procedure to replace a part.

** Manifold kit includes installed orifices but does not include gas valve.

For Heaters built before January 2004, please use the following wire harness part numbers:

R0329500	Wire Harnesses Complete	All
R0330900	Wire Harness, Power Transformer	All
R0331000	Wire Harness, Ignition Control	All
R0331100	Wire Harness, Gas Valve	All
R0331200	Wire Harness, Safety Loop	All
R0336200	Wire Harness, 120 VAC Power Plug	All
R0336300	Wire Harness, 240 VAC Power Plug	All
R0336400	Wire Harness, 15 Pin Connector	All

LX™/LT™ (Discontinued, Mfg. 1999–2003)



Key No.	Part No.	Description	Model No.
WATER COMPONENTS			
1	R0326303	Complete Heat Exchanger (Copper)	250
1	R0326305	Complete Heat Exchanger (Copper)	400
1	R0395703	Bronze Heat Exchanger, Cu, Complete	250
1	R0395705	Bronze Heat Exchanger, Cu, Complete	400
1	R0395803	ASME® Heat Exchanger Tube Assembly	250

Key No.	Part No.	Description	Model No.
1	R0395805	ASME Heat Exchanger Tube Assembly	400
3	R0334403	Heat Exchanger Baffles (Set of 10 including end baffles)	250
3	R0334405	Heat Exchanger Baffles (Set of 10 including end baffles)	400
4	R0326900	Front Header, w/ Hardware and Gaskets	All
5	R0327000	Rear Header, w/ Hardware and Gaskets	All

Continued on next page.

LX™/LT™ (Discontinued, Mfg. 1999–2003) Parts Diagram on page 138.

Key No.	Part No.	Description	Model No.
WATER COMPONENTS (CONTINUED)			
6	R0327100	By-Pass Assembly, w/ Hardware and Gaskets	All
7	R0336700	Gasket, Bypass Assembly	All
8	R0327200	Spring, Bypass	All
9	R0327300	Coupling Nut Kit, w/ Compression Ring and Gasket, 2/PK Unions	All
10	R0337600	O-rings, Header Coupling for LX	All
11	R0327500	Gasket, Header (front or rear)	All
12	R0335900	Header Drain Plug w/ Gasket, 3/PK	All
N/S	R0327600	Heat Exchanger Hardware Kit and Gaskets	All
GAS COMPONENTS			
14	R0327703	Burner, Tray Weldment	250
14	R0327705	Burner, Tray Weldment	400
15	R0469800	Burners	All
16	R0327803	Manifold, Gas	250
16	R0327805	Manifold, Gas	400
17	R0327900	Nat. Orifice (0–3K ft.), 20/PK	All
17	R0328000	Nat. Orifice (3K–6K ft.), 20/PK	All
17	R0328100	Nat. Orifice (6K–9K ft.), 20/PK	All
17	R0328200	LP Orifice (0–5K ft.), 20/PK	All
17	R0328300	LP Orifice (5K–10K ft.), 20/PK	All
18	R0331800	Anti-Rotation Bracket	All
19	R0336800	Gas Valve Nat w/ Street Ell	All
19	R0336900	Gas Valve LP w/ Street Ell	All
EXHAUST SYSTEM			
20	R0331703	Flue Collector	250
20	R0331705	Flue Collector	400
21	R0329800	Blower Assembly	All
N/S	Q0078800	Blower Tube (by ft.)	All
22	R0329900	Gasket w/Blower Mounting Hardware	All
23	R0331500	Flue Vent	All
24	R0331403	Indoor Vent Collar, 7"	250
24	R0331405	Indoor Vent Collar, 9"	400
25	R0328500	Outdoor Grill	All
N/S	R0331600	Vent Hardware Kit	All
N/S	R0369700	Exhaust Vent Extension R-Kit	
ELECTRICAL			
27	R0061100	Transformer	All
N/S	R0330900	In-line Fuse Assembly, 3 Amp	All
29	R0302000	Blower Pressure Switch	All
30	R0011800	Temperature Sensor	All
31	R0456600	Gasket, Temperature Sensor	All
32	10444900+	Plastic Sleeve, Temperature Sensor	All
33	10447300+	Retainer Bracket, Temp. Sensor	All
34	F0009100+	Screw, Retainer Bracket	All
35	R0408100	Ignition Control	All
37	R0013200	Pressure Switch, 2 PSI	All
38	R0334600	Siphon Loop	All
N/S	R0327600	Fitting for Syphon Loop Tube, Heater Connect.	All
39	R0023200	High Limits Set	All
40	R0022700	High Limit 135°F	All
41	R0023000	High Limits 150°F	All
N/S	R0383200	High Limit Insert, 3/PK Brass, Snsr Std Assembly	All
42	R0334700	Harness, High Limit Switch	All
43	R0336500	Retainer Plates, High Limit, 2/PK	All

Key No.	Part No.	Description	Model No.
ELECTRICAL (CONTINUED)			
44	R0337000	Hot Surface Ignitor	All
45	R0329400	Exhaust Temp. Limit Switch	All
N/S	R0329500	Wire Harnesses Complete	All
N/S	R0330900	Wire Harness, Power Transformer	All
N/S	R0331000	Wire Harness, Ignition Control	All
N/S	R0331100	Wire Harness, Gas Valve	All
N/S	R0331200	Wire Harness, Safety Loop	All
51	R0336200	Wire Harness, 120V Power Plug	All
51	R0336300	Wire Harness, 240V Power Plug	All
52	R0336400	Wire Harness, 15 Pin Connector	All
53	R0097800	Terminal Block for Fireman's Switch	All
54	R0329600	Temperature Control w/ Bezel	LX
N/S	R0350500	Temperature Control w/ Bezel - Dual	LT
N/S	R0387600	Gasket, Temp Control R-Kit	
55	R0334800	Flame Sense Rod	All
56	R0012200	Fusible Link	All
JACKET COMPONENTS			
57	R0330003	Door w/ Latch	250
57	R0330005	Door w/ Latch	400
58	R0334900	Door Latch Assembly w/ Handle	All
59	R0335103	Cover Panel, Raceway	250
59	R0335105	Cover Panel, Raceway	400
60	R0330100	Panel, Side, Lower (fits left or right)	All
61	R0330200	Panel, Right Side, Upper	All
62	R0336600	Cover Panel, Exhaust Switch	All
63	R0335200	Panel, Left Side, Upper	All
64	R0335300	Cover Plate, I/O Header Side	All
65	R0335400	Cover Plate, Return Header Side	All
66	R0335500	Cover Panel, Left Side	All
67	R0330303	Rear Panel	250
67	R0330305	Rear Panel	400
68	R0330400	Corner Posts	All
69	R0330503	Top Panel	250
69	R0330505	Top Panel	400
70	R0330600	Cover, Temperature Control	All
71	R0330703	Combustion Chamber Assembly	250
71	R0330705	Combustion Chamber Assembly	400
72	R0335603	Base Panel	250
72	R0335605	Base Panel	400
73	R0335700	Igniter Box Assembly	All
74	R0337200	Bracket, Fusible Link	All
75	R0369500	Raceway Circuit Board	All
OPTIONAL			
N/S	R0330803	Noncombustible Base	250
N/S	R0330805	Noncombustible Base	400
77	R0336100	Pressure Relief Valve	All
N/S	R0335800	Touch-up Paint	All
N/S	R0336000	Temperature Rise Measurement Kit All	All
N/S	R0355800	Lock Box	All

N/S-Not Shown



HEAT PUMPS



Heat Pumps	143
Heat Pump Accessories	145
Heat Pump Parts	146

Jandy® Pro Series JE Series Heat Pump



JE Heat Pump



Digital Controller



Intertek



Jandy Pro Series JE line of premium Heat Pumps delivers maximum energy efficiency and reliability. Working efficiently, JE Heat Pumps absorb free heat from the air and transfer it to the water, making the heating process ecological and cost effective.

- **Ultra-Efficient**—Featuring a premium titanium heat exchanger, JE Series heat pumps provide superior hydraulic flow for maximum energy savings.
- **Superior Control**—Features advanced digital control to enable self diagnostics, multilingual capability. When used with AquaLink™ RS control systems, an auto-heat feature maintains your pools temperature automatically and efficiently 24 hours a day. Also features easy-to-operate dual thermostats (pool/spa).
- **Heat or Cool**—Optional chiller mode to cool your pool during the hot summer months (select models).
- **Versa Plumb®-Ready**—All JE heat pumps are Versa Plumb-ready for best-in-class efficiency. See Versa Plumb section for more information about the benefits of Versa Plumb.
- **Versatile**—Four standard models available: JE1500 (70,000 BTU*), JE2000 (96,000 BTU*), JE2500 (110,000 BTU*), and JE3000 (132,000 BTU*). Three-phase models available: JE2500 (110,000 BTU*), and JE3000 (132,000 BTU*). Also available, an ultra-premium model featuring optional chiller mode: JE3000 (130,000 BTU*).
- **Includes 2 – 2.5" unions**
- **Environmentally-friendly 410A Refrigerant**

Part No.	Description
JE1500T	70,000 BTUs*, 5.4 COP Heater, 230V/60HZ 1-Phase
JE2000T	96,000 BTUs*, 5.8 COP Heater, 230V/60HZ 1-Phase
JE2500T	110,000 BTUs*, 5.8 COP Heater, 230V/60HZ 1-Phase
JE2500T3	110,000 BTUs*, 5.8 COP Heater, 208/230V/60HZ 3-Phase
JE3000T	132,000 BTUs*, 6.1 COP Heater, 230V/60HZ 1-Phase
JE3000T3	132,000 BTUs*, 6.1 COP Heater, 208/230V/60HZ 3-Phase
JE3000TR	130,000 BTUs*, 6.0 COP Heater/Chiller, 230V/60HZ 1-Phase
JE3000TR3	130,000 BTUs*, 6.0 COP Heater/Chiller, 208/230V/60HZ 3-Phase

*Test Conditions: 80°F Air, 80% RH, 80°F Water, Rated in accordance with AHRI Standard 1160

JE Heat Pump Technical Specifications

MODEL	JE1500T	JE2000T	JE2500T	JE2500T3	JE3000T	JE3000T3	JE3000TR	JE3000TR3
Voltage	230V/60HZ	230V/60HZ	230V/60HZ	208/230V /60HZ/3	230V/60HZ	208/230V /60HZ/3	230V/60HZ	208/230V /60HZ/3
Output (80/80/80)*	70,000 Btu	96,000 Btu	110,000 Btu		132,000 Btu		130,000 Btu	
Input (80/80/80)*	3.83 kW	5.03 kW	5.34 kW		6.34 kW		6.34 kW	
COP (80/80/80)*	5.4	5.8	5.8		6.1		6.0	
Output, (80/63/80)**	67,000 Btu	92,000 Btu	106,000 Btu		127,000 Btu		127,000 Btu	
COP, (80/63/80)**	5.2	5.7	5.6		6	6	5.9	5.9
Output, (50/63/80)***	46,000 Btu	64,000 Btu	74,000 Btu		86,000 Btu		86,000 Btu	
COP, (50/63/80)***	4	4	4		4.2	4.2	4	4
RLA (Running load amps)	19.87A	30.77A	32.05A	23.21A	32.05A	25.00A	32.05	25.00A
LRA (Locked rotor amps)	105A	178A	148A	164A	185A	164A	185A	164A
Minimum circuit ampacity	26.14A	40.21A	41.81A	30.76A	41.81A	33.00A	41.81A	33.00A
Max over current protection#	45A	60A	60A	45A	60A	50A	60A	50A
Heat exchanger	Titanium							
Compressor	Reciprocating	Scroll	Scroll		Scroll			
Cabinet	ABS							
Refrigerant	48 oz, R410A	78 oz, R410A	78 oz, R410A	78 oz, R410A	118 oz, R410A	118 oz, R410A	126 oz, R410A	126 oz, R410A
Refrigerant high pressure alarm	600 PSI (reset to 445 PSI)							
Refrigerant low pressure alarm—heating units	35 PSI (reset to 60 PSI)							
Refrigerant low pressure alarm—reverse units	35 PSI (reset to 60 PSI)							
Low water flow alarm	20 GPM							
Maximum height below water level	10 feet below pool level							
Minimum height above water level	5 feet above pool level							
Optimal water flow	30 GPM	42 GPM	48 GPM	48 GPM	57 GPM			
Minimum water flow	20 GPM							
Maximum water flow	70 GPM							
Air flow	2100 CFM	3600 CFM						
Water temperature differential (delta t)	Adjustable between 1°F and 5°F							
Union size	2 by 2.5"							
Weight	175 lb	220 lb	223 lb	223 lb	228 lb	228 lb	230 lb	230 lb
Sound pressure per ISO 3471	58.9 dB							

* Rated in accordance with AHRI Standard 1160: Test Conditions: 80° F Air, 80% RH, 80° F Water

** Rated in accordance with AHRI Standard 1160: Test Conditions: 80° F Air, 63% RH, 80° F Water

*** Rated in Accordance with AHRI Standard 1160: Test Conditions: 50° F Air, 63% RH, 80° F Water

Max Over Current Protection refers to the maximum breaker size allowed. If this value is not a standard breaker size, use the next smallest standard size breaker. The breaker size must not be smaller than the Minimum Circuit Ampacity value.



**Universal Control
R3008800**

Heat Pump Accessories

Part#	Description
R3008800	Universal Control/Remote Control
4424	JVA 24, 180° Rotation, Requires two (2)

Pumps

Filters

Heaters

Heat
Pumps

Automation

Water
Leveling

Water
Sanitizers

Valves

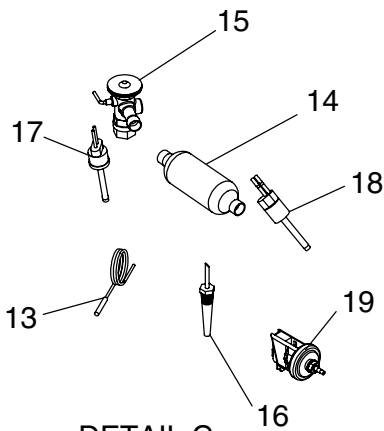
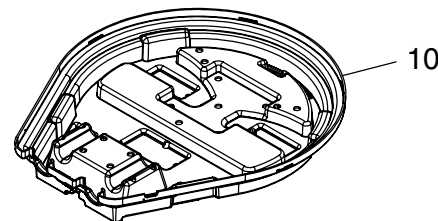
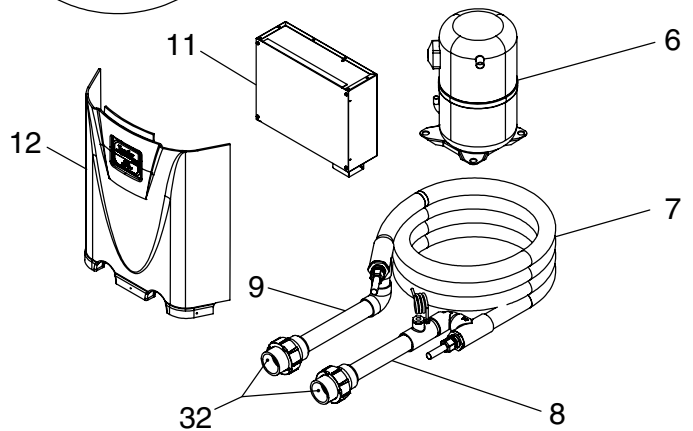
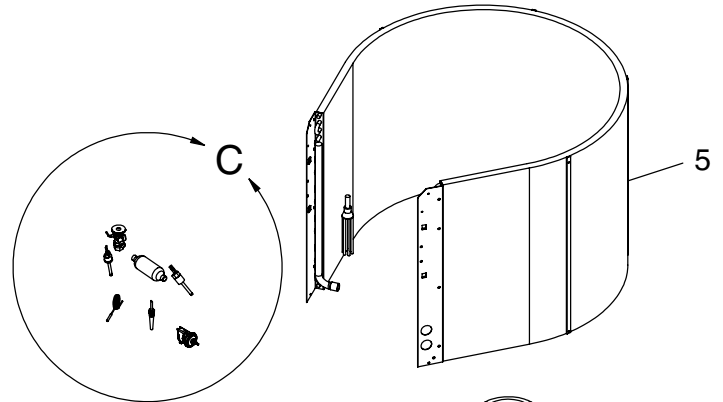
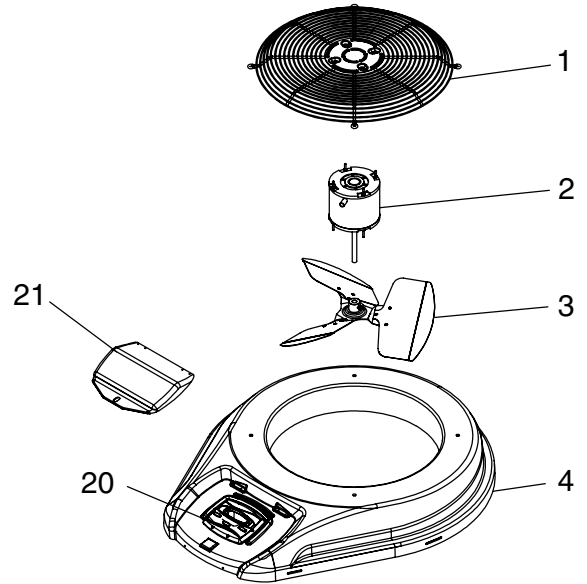
Water
Designs

Lighting

Cleaners

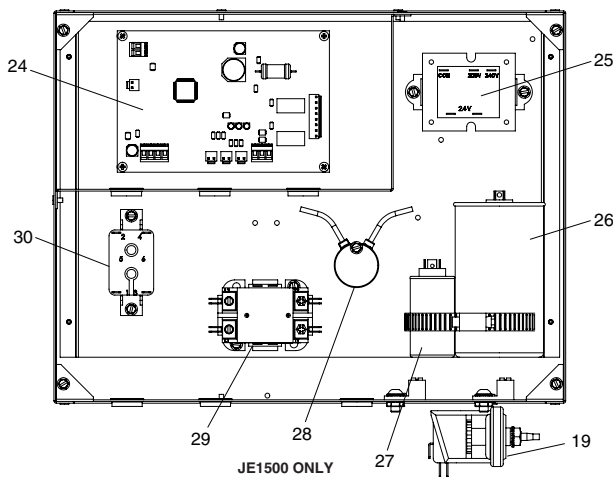
Accessories

JE Heat Pump (Mfg. 2013–Present) JE1500



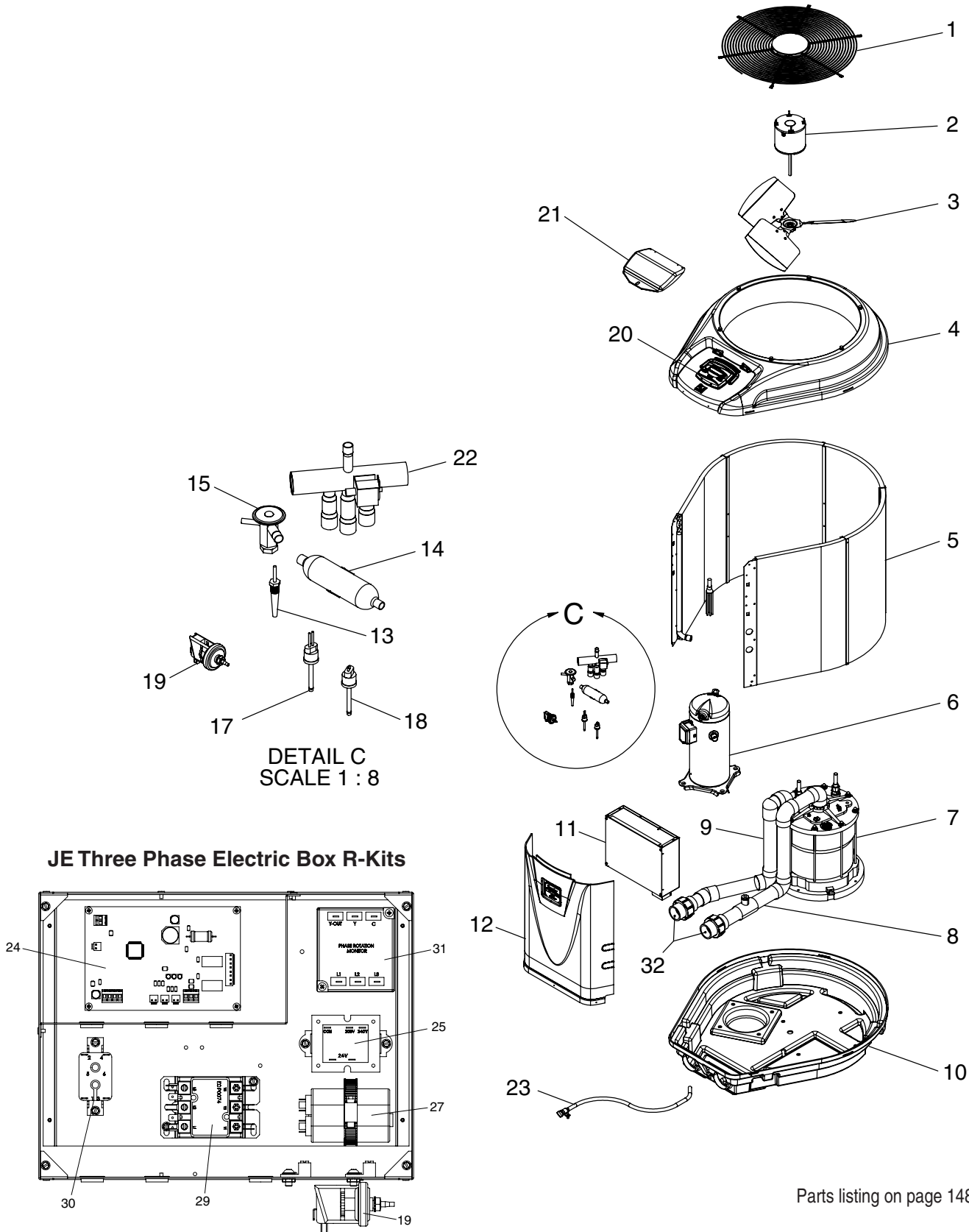
DETAIL C
SCALE 1 : 8

JE Single Phase Electric Box R-Kits



Parts listing on page 148.

JE Heat Pump (Mfg. 2013–Present) JE2000, JE2500 & JE3000 Models



JE Heat Pump (Mfg. 2013–Present) Parts listing for drawings on pages 146–147.

JE1500T, JE2000T, JE2500T, JE2500T3, JE3000T, JE3000T3, JE3000TR, JE3000TR3 R-Kits

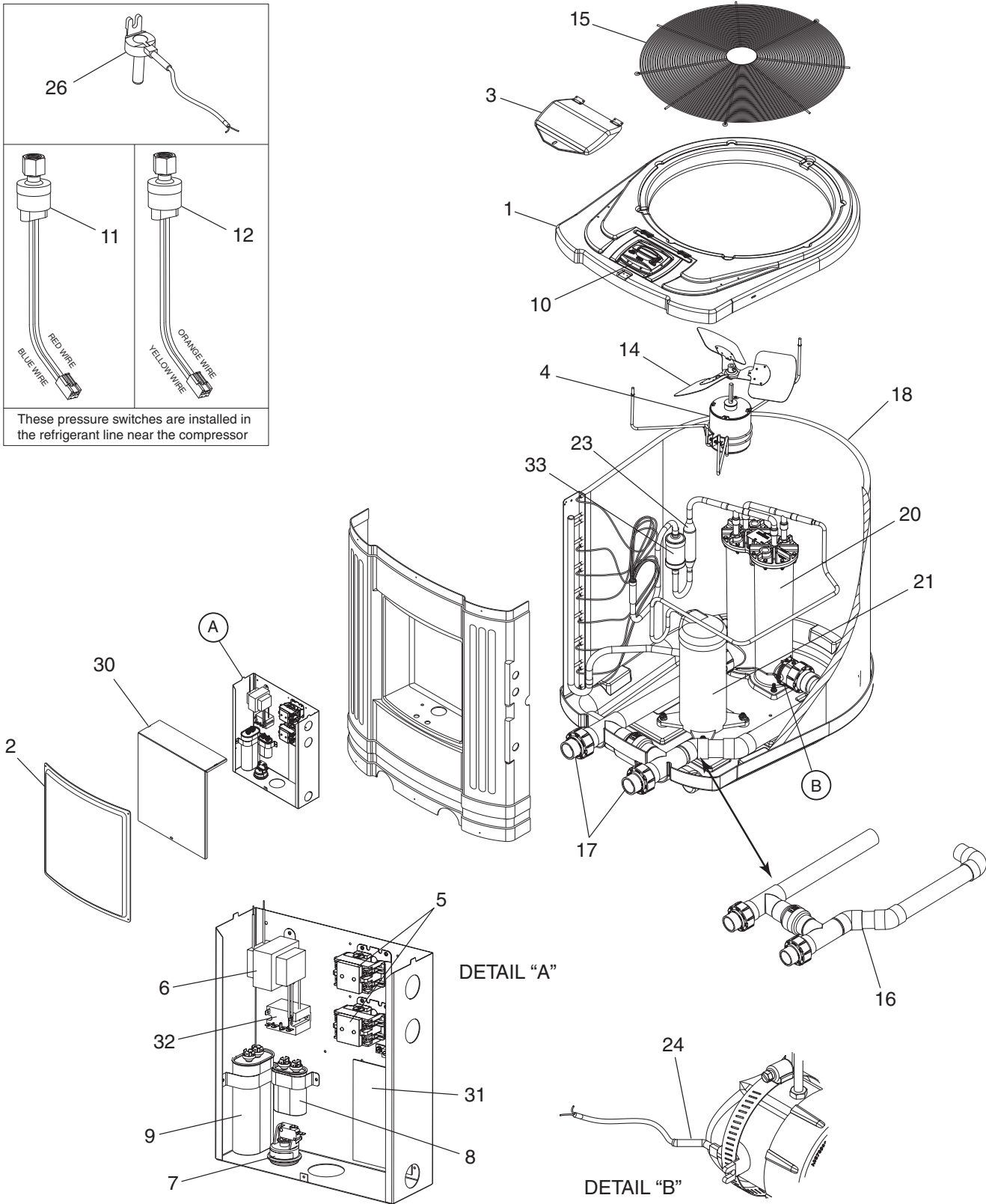
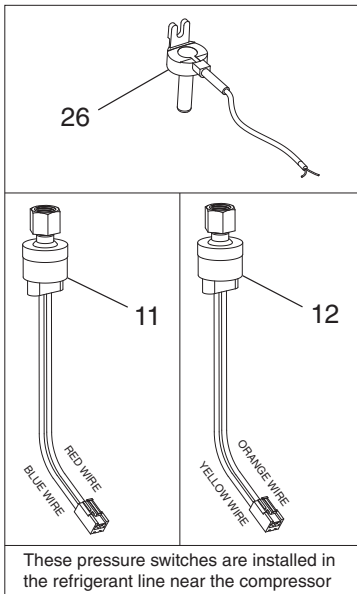
Key No.	Part No.	Description	Model No.
1	R0571700	Fan Grille	1500
1	R0571800	Fan Grille	2000, 2500, 3000
2	R0571900	Fan Motor	1500
2	R0572000	Fan Motor	2000, 2500, 3000
3	R0572100	Fan Blade	1500
3	R0572200	Fan Blade	2000, 2500, 3000
4	R0572300	Fan Top	1500
4	R0572400	Fan Top	2000, 2500, 3000
5	R0572500	Evaporator Coil/Guard	1500
5	R0572600	Evaporator Coil/Guard	2000, 2500
5	R0572700	Evaporator Coil/Guard	3000
6	R0572800	Compressor	1500
6	R0572900	Compressor	2000
6	R0573000	Compressor	2500
6	R0573100	Compressor	3000
6	R0577500	Compressor (3 Phase)	2500
6	R0577600	Compressor (3 Phase)	3000
7	R0577700	Condenser	1500
7	R0577800	Condenser	2000
7	R0577900	Condenser	2500
7	R0578000	Condenser	3000
8	R0573200	Water Manifold Inlet	1500
8	R0573300	Water Manifold Inlet	2000, 2500
8	R0573400	Water Manifold Inlet	3000
9	R0573500	Water Manifold Outlet	1500
9	R0573600	Water Manifold Outlet	2000, 2500
9	R0573700	Water Manifold Outlet	3000
10	R0573800	Base	1500
10	R0573900	Base	2000, 2500, 3000
11	R0574000	Electrical Box Cover w/ Hardware	All
12	R0574300	Front Panel	1500
12	R0574400	Front Panel	2000, 2500
12	R0574500	Front Panel	3000
13	7790	Water Temperature Sensor	All

Key No.	Part No.	Description	Model No.
14	R0574700	Filter Drier	1500
14	R0574800	Filter Drier	2000, 2500, 3000
14	R0574900	Filter Drier (Bi-flow)	3000TR
15	R0575000	Thermal Expansion Valve	1500
15	R0575100	Thermal Expansion Valve	2000, 2500
15	R0575200	Thermal Expansion Valve	3000
16	R0575300	Air Temperature Sensor	All
17	R0575400	High Pressure Switch	All
18	R0575500	Low Pressure Switch	All
19	R0575600	Water Pressure Switch	All
20	R3008800	User Interface	All
21	R3000601	Interface Cover	All
22	R0575900	Reversing Valve (Optional)	3000TR
23	R0576000	Winterizing Drain Kit	2000, 2500, 3000
24	R3009200	Power Interface PCB	All
25	R0576200	Transformer	All
26	R0576300	Run Capacitor (1 Phase)	1500
26	R0576400	Run Capacitor (1 Phase)	2000, 2500, 3000
27	R0576500	Fan Capacitor	1500
27	R0576600	Fan Capacitor	2000, 2500, 3000
28	R0576700	Hard Start Capacitor	1500
29	R0576800	Contactors (1 Phase)	All (1 Phase)
29	R0576900	Contactors (3 Phase)	2500, 3000 (3 Phase)
30	R0577000	Fan Relay	All
31	R0577100	Phase Rotation Monitor (3 Phase)	2500, 3000 (3 Phase)
32	R0472700	Universal Union, Butress Set	All
OPTIONAL COMPONENTS			
N/S	R0577200	Anchor Bracket Set	1500
N/S	R0577300	Anchor Bracket Set	2000, 2500, 3000
N/S	R0578900	Bypass, External, JE Heat Pump	All

N/S-Not Shown

EE-Ti Heat Pump (Mfg. 2010–2013, Discontinued)

EE1500, EE2000, EE2500, EE3000



Parts listing on page 150.

EE-Ti Heat Pump (Mfg. 2010–2013, Discontinued) Parts listing for drawings on page 149. EE1500, EE2000, EE2500, EE3000

Key No.	Part No.	Description	Model No.
1	R3009700	Top Enclosure, Jacket	1500
1	R3009100	Top Enclosure, Jacket	2000, 2500, 3000
2	R3000500	Service Access Panel	All
3	R3000601	Control Cover - Smoked	All
4	R3000703	Fan Motor, 1/6 HP, 230 VAC	1500
4	R3000701	Fan Motor, 1/2 HP, 230 VAC	2000, 2500, 3000
5	R3000801	Contactora, 1-Phase	All
5	R3000802	Contactora, 3-Phase	2000, 2500, 3000
6	R3000901	Transformer, 240V 24VA	All
7	R3001000	Adjustable Water Pressure Switch	All
8	R3001101	Capacitor, Fan Motor, 3/370 MFD	1500
8	R3001100	Capacitor, Fan Motor, 7.5/370 MFD	2000, 2500, 3000
9	R3001204	Capacitor, Compressor, 60/370 (1 PH Only)	1500
9	R3001203	Capacitor, Compressor, 80/370 (1PH Only)	2000, 2500, 3000
10	R3008800	Controller Assembly, Universal	All
11	R0509900	Refrigerant HP Switch, 650–460 psig	All
12	R0510001	Refrigerant LP Switch, 58–127 psig	All Non-Reversing
12	R0510002	Refrigerant LP Switch, 35–74 psig	2500R, 3000R
13	R3009000	Wire Harness Kit (Not Shown)	All
14	R3001701	Fan Blade Set	1500
14	R3001700	Fan Blade Set	2000, 2500, 3000
15	R3001801	Fan Guard	1500
15	R3001800	Fan Guard	2000, 2500, 3000
16	R0561601	Plumbing Tree Assembly	1500
16	R0561602	Plumbing Tree Assembly	2000, 2500, 3000
17	R0472700	Universal Union, Buttress Set	All
18	R0510201	Evaporator Coil/Guard	1500
18	R0510202	Evaporator Coil/Guard	2000
18	R0510203	Evaporator Coil/Guard	2500
19	R0510204	Evaporator Coil/Guard	3000
20	R0561405	Heat Exchanger Replacement Kit, 1X8	1500
20	R0561406	Heat Exchanger Replacement Kit, 2X6	2000
20	R0561407	Heat Exchanger Replacement Kit, 2X7	2500

Key No.	Part No.	Description	Model No.
20	R0561408	Heat Exchanger Replacement Kit, 2X8	3000
21	R0510300	Compressor (40K), 1-Phase	1500
21	R0510400	Compressor (61K), 1-Phase	2000
21	R0510500	Compressor (68K), 1-Phase	2500
21	R0510600	Compressor (83K), 1-Phase	3000
21	R0510900	Compressor (61K), 3-Phase	2000
21	R0510700	Compressor (68K), 3-Phase	2500
21	R0510800	Compressor (83K), 3-Phase	3000
N/S	R0509501	Thermal Expansion Valve, 4 Ton	1500
N/S	R0509502	Thermal Expansion Valve, 7 Ton	2000
N/S	R0509503	Thermal Expansion Valve, 8 Ton	2500
N/S	R0509504	Thermal Expansion Valve, 8 Ton	3000
23	R0522500	9 Inch Receiver	All
24	R3002900	Water Temperature Sensor	All
N/S	R3003000	3-Phase Monitor (3-Phase Models Only)	2000, 2500, 3000
26	R3003100	Air Temperature Sensor	All
N/S	R3003801	Reversing Valve (Optional)	2500R, 3000R
N/S	R3003203	Anchor Bracket Set	All
N/S	R3004100	Heat Pump Drain Kit	All
30	R3004600	Junction Box Cover	All
31	R3009200	Power Interface PCB	All
32	R3009300	Fan Relay	All
33	R0490904	Filter Drier, 164s	1500
33	R0490905	Filter Drier, 165s	2000, 2500, 3000
33	R0490906	Filter Drier, 165s Bi-Flow	2500R, 3000R
N/S	R3001900	Bypass Valve Assembly	All
OPTIONAL COMPONENTS			
N/S	R0490800	Plast-aid Repair Kit	All

N/S - Not Shown

EE-Ti Heat Pump Technical Specifications

MODEL	EE1500T	EE2000T	EE2000T-R263	EE2500T	EE2500T-R	EE2500T-R263	EE2500T-R263	EE3000T	EE3000T-R	EE3000T-R263	EE3000T-R263
Voltage	230/60/1	230/60/1	230/60/3	230/60/1	230/60/3			230/60/1	230/60/3		
Output*	70,000 BTUs	112,000 BTUs		120,000 BTUs				140,000 BTUs			
Input*	3.3 kW	5.1 kW		5.6 kW				6.7 kW			
COP*	6.4	6.4		6.3				6.1			
Output, standard rating conditions**	60,000 BTUs	93,000 BTUs		105,000 BTUs				130,000 BTUs			
Cop, standard rating conditions**	5.4	5.4		5.5				5.4			
Output, low ambient**	40,000 BTUs	64,000 BTUs		72,000 BTUs				84,500 BTUs			
Cop, low ambient**	3.7	4.0		4.0				4.0			
Minimum circuit ampacity	28A	37A	27A	37A		32A		37A			36A
Max over current protection***	45A	60A	45A	60A		50A		60A			60A
Heat exchanger	Titanium										
Compressor	40K Scroll	61K Scroll		68K Scroll				83K Scroll			
Cabinet	ABS										
Refrigerant	64 oz. R410A	74 oz. R410A	90 oz. R410A	90 oz. R410A	90 oz. R410A	90 oz. R410A	114 oz. R410A	124 oz. R410A	114 oz. R410A	124 oz. R410A	124 oz. R410A
Refrigerant high pressure alarm	650 PSI (reset to 460 PSI)										
Refrigerant low pressure alarm—heating units	58 PSI (reset to 127 PSI)										
Refrigerant low pressure alarm—reverse units	35 PSI (reset to 74 PSI)										
Low water flow alarm	30 GPM										
Maximum height below water level	10 feet below pool level										
Minimum height above water level	5 feet above pool level										
Optimal water flow	60 GPM										
Minimum water flow	30 GPM										
Maximum water flow	125 GPM										
Air flow	2060 CFM			4120 CFM							
Water temperature differential (Delta T)	Adjustable between 1°F to 5°F										
Union size	2"										
Weight	225 lbs.			325 lbs.							
Sound pressure per ISO 3471	58.9 dBa										
Water pressure switch	Adjustable between 1–5 psi, Factory setting 2.5 psi										
Maximum height below water level	Adjust (increase) 1 PSI for every 3 ft. below pool water level. If installed 7 ft. below pool level, replace the water pressure switch with 2-22 PSI switch R0475500										

Chiller Specifications

	EE2500T-R	EE2500T-R263	EE3000T-R	EE3000T-R263
Output-chiller****	71,000	71,000	54,000	54,000
Input-chiller ****	6.9 kW	6.9 kW	7.2 kW	7.2 kW
Cop-chiller****	3.01	3.01	2.22	2.22
Output-chiller*****	87,000	87,000	60,000	60,000
Input-chiller*****	7.4 kW	7.4 kW	7.3 kW	7.3 kW
Cop-chiller*****	3.46	3.46	2.4	2.4

*Test Conditions: 80°F Air, 80% RH, 80°F Water, Outside the scope of AHRI Standard 1160

**Rated in accordance with AHRI Standard 1160

***Max Over Current Protection refers to the maximum breaker size allowed. If this value is not a standard breaker size, use the next smallest standard size breaker. The breaker size must not be smaller than the Minimum Circuit Ampacity value.

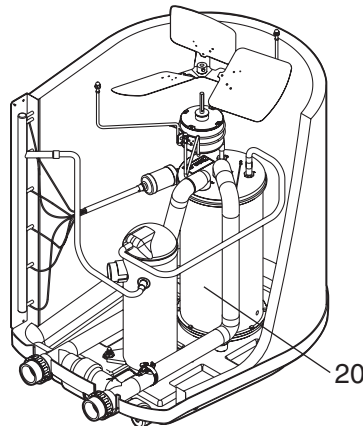
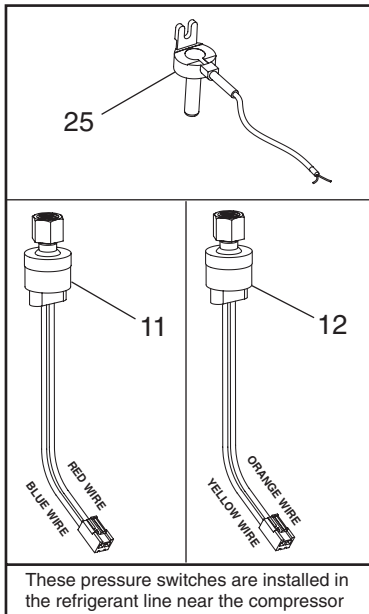
****Test Conditions: Chiller mode, 96°F Air, 50% RH, 80°F Water, Outside the scope of AHRI Standard 1160

*****Test Conditions: Chiller mode, 96°F Air, 50% RH, 95°F Water, Outside the scope of AHRI Standard 1160

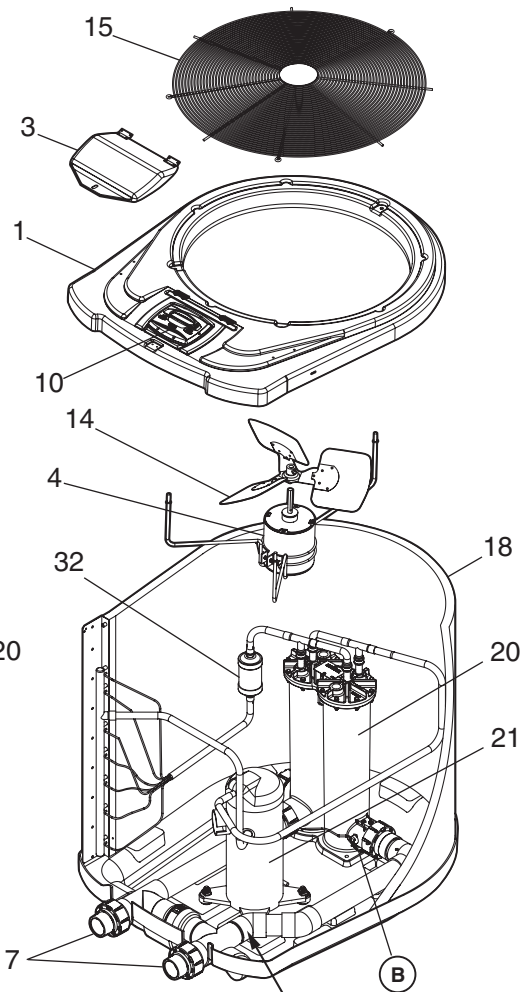
The EE series are not AHRI certified models

AE-Ti Heat Pump (Mfg. 2006–2009, Discontinued)

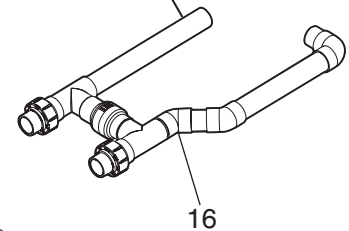
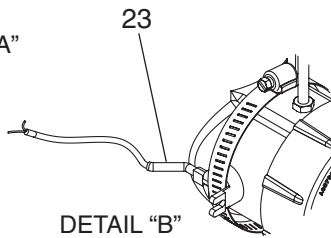
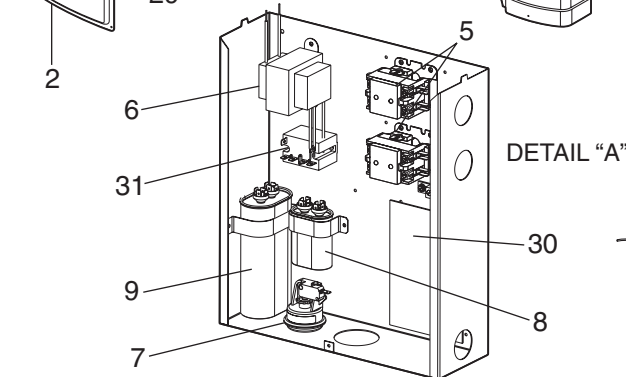
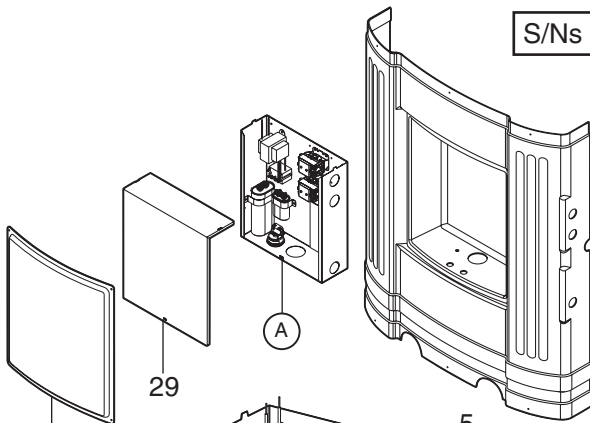
AE1500, AE2000, AE2500, AE3000



S/Ns up to P



S/Ns Q and later



Parts listing on next page.

AE-Ti Heat Pump (Mfg. 2006–2009, Discontinued)

AE1500, AE2000, AE2500, AE3000

Key No.	Part No.	Description	Model No.
1	R3009700	Top Enclosure, Jacket	1500
1	R3009100	Top Enclosure, Jacket	2000, 2500, 3000
2	R3000500	Service Access Panel	All
3	R3000601	Control Cover - Smoked	All
4	R3000703	Fan Motor, 1/6 HP 208 VAC–230 VAC	1500
4	R3000701	Fan Motor, 1/2 HP 208 VAC & 230 VAC	2000, 2500, 3000
5	R3000801	Contacto, 1-Phase	All
5	R3000802	Contacto, 3-Phase	2000, 2500, 3000
6	R3000901	Transformer, 240V 24 VAC	All
7	R3001000	Water Pressure Switch	All
8	R3001101	Capacitor, Fan Motor, 3/370 MFD	1500
8	R3001100	Capacitor, Fan Motor, 7.5/370 MFD	2000, 2500, 3000
9	R3001204	Capacitor, Compressor (60/370)	1500
9	R3001203	Capacitor, Compressor (80/370)	2000, 2500, 3000
10	R3008800	Controller Assembly, Universal	All
11	R3001400	Refrigerant HP Switch	All
12	R3001500	Refrigerant LP Switch	All Non-Reversing
12	R3001501	Refrigerant LP Switch (Heat/Cool)	2500R, 3000R
N/S	R3009000	Wire Harness Kit	All
14	R3001701	Fan Blade Set	1500
14	R3001700	Fan Blade Set	2000, 2500, 3000
15	R3001801	Fan Guard	1500
15	R3001800	Fan Guard	2000, 2500, 3000
16	R0561601	AE1500 Plumbing Tree (S/N Q or Later)	1500
16	R0561602	AE2000-3000 Plumbing Tree (S/N Q or Later)	2000, 2500, 3000
16	R3001900	Plumbing Bypass Assembly	All
17	R0472700	Universal Union and Buttress Set	All
18	R3002104	Evaporator Coil/Guard	1500
18	R3002101	Evaporator Coil/Guard	2000
18	R3002102	Evaporator Coil/Guard	2500
18	R3002103	Evaporator Coil/Guard	3000
N/S	R3002200	Heat Exch Drain Kit	All

N/S - Not Shown

Key No.	Part No.	Description	Model No.
20	See below.		
21	R3009800	Compressor (40K), 1-Phase	1500
21	R3002500	Compressor (60K), 1-Phase	2000
21	R3002600	Compressor (68K), 1-Phase	2500
21	R3002700	Compressor (81K), 1-Phase	3000
21	R3003400	Compressor (60K), 3-Phase	2000
21	R3003500	Compressor (68K), 3-Phase	2500
21	R3003600	Compressor (81K), 3-Phase	3000
23	R3002900	Water Temperature Sensor	All
25	R3003100	Air Temperature Sensor	All
29	R3004600	Junction Box Cover	All
30	R3009200	Power Interface PCB	All
31	R3009300	Fan Relay	All
32	R0490902	Filter Dryer	1500
32	R0490901	Filter Dryer Heat only	2000, 2500, 3000
32	R0490903	Filter Dryer Heat/Cool	2500, 3000
N/S	R3002803	Thermal Expansion Valve, 2½ Ton	1500
N/S	R3002804	Thermal Expansion Valve, 5 Ton	2000, 2500, 3000
N/S	R3003000	3-Phase Monitor (3-Phase Models)	2000, 2500, 3000
N/S	R3003800	Reversing Valve (Optional)	2500, 3000
N/S	R3003203	Anchor Bracket Set	All
N/S	R3004100	Heat Pump Drain Kit	All

S/Ns up to P			
20	R3009900	Heat Exchanger Retrofit Kit	1500
20	R3002301	Heat Exchanger Retrofit Kit	2000
20	R3002302	Heat Exchanger Retrofit Kit	2500
20	R3002303	Heat Exchanger Retrofit Kit	3000
S/Ns Q and later			
20	R0561401	Heat Exchanger Replacement Kit	1500
20	R0561402	Heat Exchanger Replacement Kit	2000
20	R0561403	Heat Exchanger Replacement Kit	2500
20	R0561404	Heat Exchanger Replacement Kit	3000



AE-Ti

AE-Ti Heat Pumps (Discontinued)

- Proprietary titanium heat exchanger
- Digital control panel (dual thermostats)
- Maintain temp mode
- Automation ready
- Commercial grade scroll compressor
- Air defrost
- Durable polymer cabinet
- Optional chiller/hot gas defrost (Available on 2500 and 3000 models)

AE-Ti Heat Pump Technical Specifications

MODEL	AE1500T	AE2000T	AE2000T-263	AE2500T	AE2500TR	AE2500T-263	AE2500TR-263	AE3000T	AE3000TR	AE3000T-263	AE3000TR-263
Voltage	230/60/1	230/60/1	230/60/3	230/60/1	230/60/1	230/60/3	230/60/3	230/60/1	230/60/1	230/60/3	230/60/3
Output (BTUs)*	73,000	110,000	110,000	120,000	120,000	120,000	120,000	137,000	137,000	137,000	137,000
Input (kW)*	3.34	4.85	4.85	5.7	5.7	5.7	5.7	6.6	6.6	6.6	6.6
Cop*	6.4	6.6	6.6	6.15	6.15	6.15	6.15	6.05	6.05	6.05	6.05
Output, Standard rating conditions (BTUs)**	60,000	87,000	87,000	105,000	105,000	105,000	105,000	121,000	121,000	121,000	121,000
Cop, Standard rating conditions**	4.4	5.1	5.1	5.3	5.3	5.3	5.3	5.1	5.1	5.1	5.1
Output, Low ambient (BTUs)**	41,000	61,000	61,000	70,000	70,000	70,000	70,000	86,000	86,000	86,000	86,000
Cop, Low ambient**	TBD	4.0	4.0	4.0	4.0	4.0	4.0	4.0	4.0	4.0	4.0
Minimum circuit ampacity	28A	39A	23A	40A	40A	28A	28A	47A	47A	31A	31A
Max over current protection***	50A	70A	40A	70A	70A	50A	50A	80A	50A	50A	50A
Heat exchanger	Titanium	Titanium	Titanium	Titanium	Titanium	Titanium	Titanium	Titanium	Titanium	Titanium	Titanium
Compressor (Scroll)	40K	60K	60K	68K	68K	68K	68K	81K	81K	81K	81K
Refrigerant (R-22)	51 oz.	80 oz.	81K	82 oz.	82 oz.	82 oz.	82 oz.	110 oz.	110 oz.	110 oz.	110 oz.
High ref pressure alarm (psi.)	450-285	450-285	450-285	450-285	450-285	450-285	450-285	450-285	450-285	450-285	450-285
Low ref pressure alarm (psi.)	30-74	30-74	30-74	30-74	15-74	30-74	15-74	30-74	15-74	30-74	15-74
Optimal water flow (GPM)	60	60	60	60	60	60	60	60	60	60	60
Minimum water flow (GPM)	30	30	30	30	30	30	30	30	30	30	30
Maximum water flow (GPM)	125	125	125	125	125	125	125	125	125	125	125
Air flow (CFM)	2060	4120	4120	4120	4120	4120	4120	4120	4120	4120	4120
Union size	2"	2"	2"	2"	2"	2"	2"	2"	2"	2"	2"
Weight (lbs.)	225	325	325	325	325	325	325	325	325	325	325
Sound pressure per ISO 3741	58.9 dBa	58.9 dBa	58.9 dBa	58.9 dBa	58.9 dBa	58.9 dBa	58.9 dBa	58.9 dBa	58.9 dBa	58.9 dBa	58.9 dBa
Water pressure switch	Adjustable between 1-5 psi, Factory setting 2.5 psi										
Maximum height below water level	Adjust (increase) 1 PSI for every 3 ft. below pool water level. If installed 7 ft. below pool level, replace the water pressure switch with 2-22 PSI switch R0475500										

* Test Conditions: 80°F Air, 80% RH, 80°F Water, Outside the scope of AHRI Standard 1160

** Rated in accordance with AHRI Standard 1160

*** Max Over Current Protection refers to the maximum breaker size allowed. If this value is not a standard breaker size, use the next smallest standard size breaker. The breaker size must not be smaller than the Minimum Circuit Ampacity value.

This series is no longer manufactured and therefore no longer certified by AHRI. All data indicated as being in accordance with any AHRI standards is that which was current during the production of this series of products.

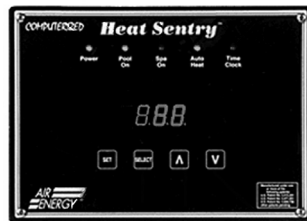
The AE series are not AHRI certified models

AE 1000 Heat Pump (Mfg. 2003–2006, Discontinued)

Part No.	Description
C-0167	1000 Beige Base
C-0168	1000 Beige Top
C-0169	1000 Beige Front
R3009500	Smoked Digital Cover
R3008700	Control Panel - 4 Buttons
C-0699	Frame
C-0704	1000 Beige I Door
R3000701	AE 500 Fan Motor ½ HP
R3000801	40 Amp 2 Pole Contacter
R0490600	3-Wire High Pressure Switch
R3000901	50 Amp Transformer 240/24
R3001000	Water Pressure Switch
E-0172	6/14 Ground Lugs
E-0211+	60/7.5/370 Capacitor
E-0869	Bristol Scroll Com p. Plug
E-0903+	17 Pin Digital Fm Block
R3001600	17 Pin Digital Harness Lng
R3007400	Hardware Kit
H-0295	HASP #1261000CHR
M-0353	Evapscreen 33" x 92"
M-0356	AE Fan Bracket Gold

Part No.	Description
R3001800	AE Fan Guard 350/500
M-0363	Lg Ht Sentry Gasket
M-0384	Scroll Comp Foot Insert
M-0385	Scroll Comp Foot
M-0393	Remote Air Hose
M-0409	⅝" Split Loom
R3001700	AE 24" Fan Blade
R3002900	Water Temp Sensor
R3002200	⅜" Drain Fit, TiHX
R0500100	⅛" Plastic Barb Fitting
P-0493	⅜" Drain Cock, Brass, Base-Pan
P-0494	⅜" Drain Fit, Base Pan
P3001200	#55 Water Plug Cap
R0490901	Filter Dryer ⅝"
R-0510	AE 350/400 Evaporator
R3002302	Heat Exchanger Replacement Kit
R3002600	Scroll Compressor, 68k
R3002801	Thermal Expansion Valve
R0490903	Heat/Cool Filter Drier
R3003800	Reversing Valve Heat/Cool

N/A-Not Available

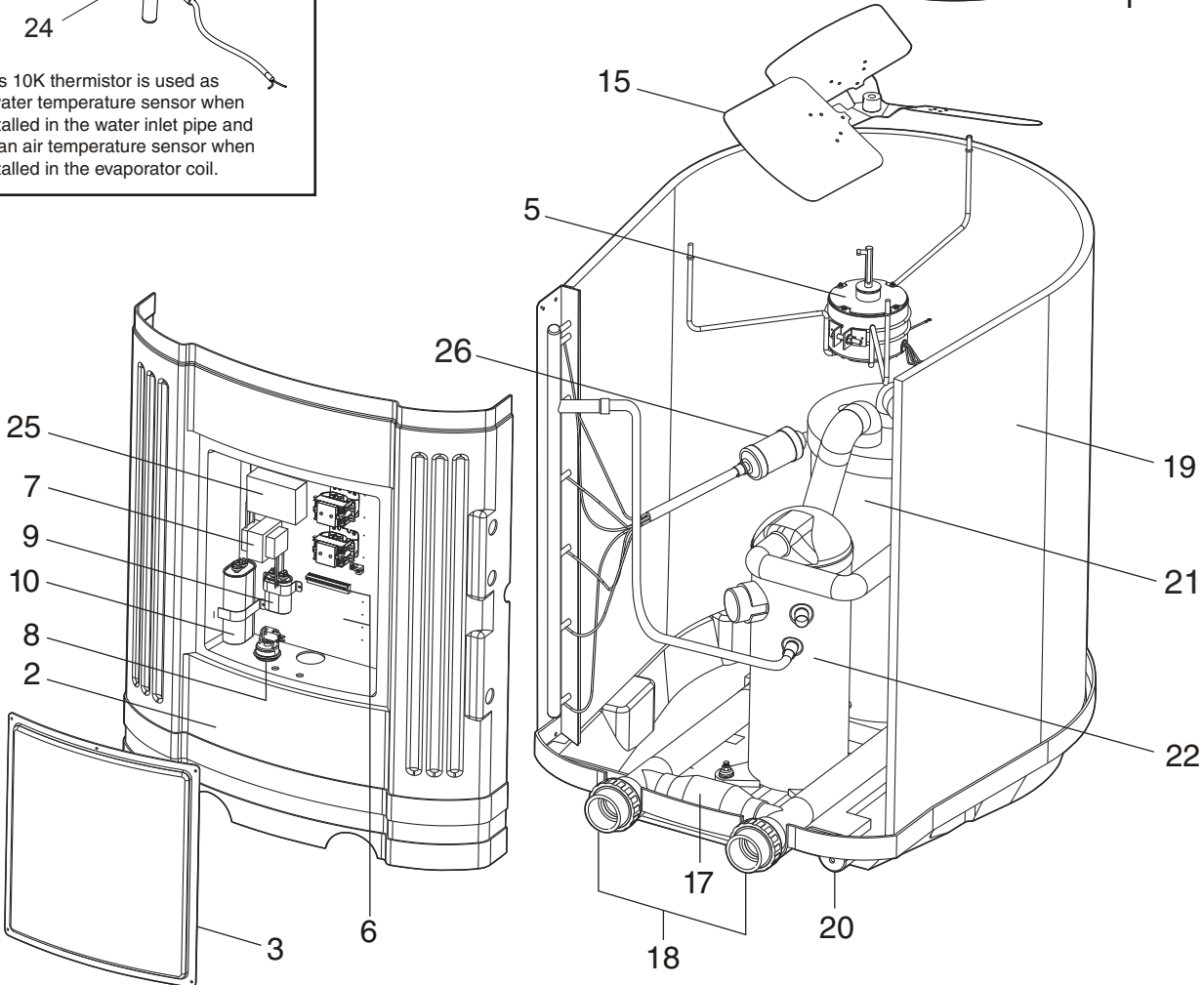
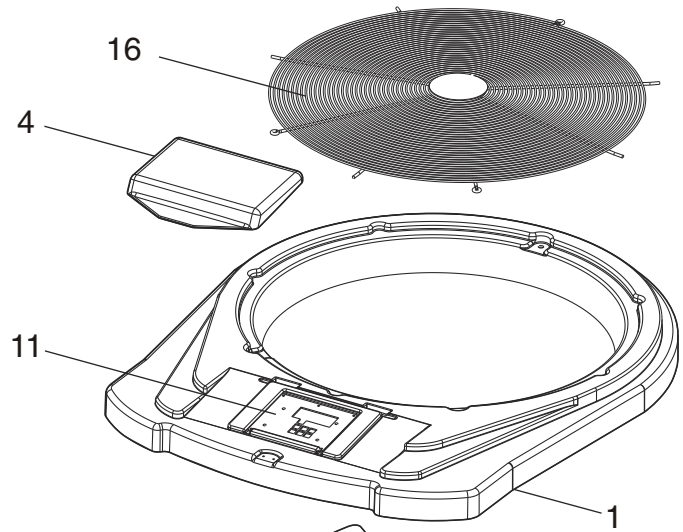
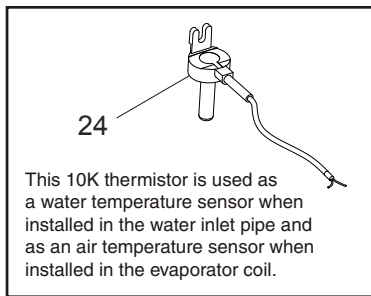
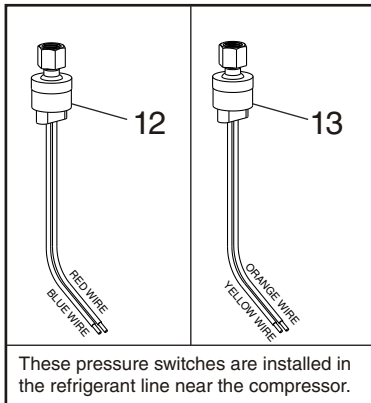


R3008700



AE-Ti Heat Pump (Mfg. 2004–2006, Discontinued)

AE2000, AE2500, AE3000



Parts listing on next page.

AE-Ti Heat Pump (Mfg. 2004–2006, Discontinued)

AE2000, AE2500, AE3000

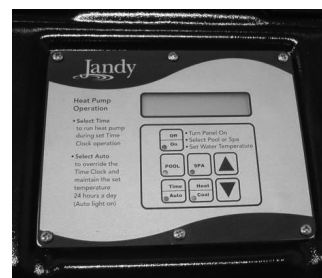
Key No.	Part No.	Description	Model No.
1	R3000200	Top Enclosure, Jacket	All
3	R3000500	Service Access Panel	All
4	R3000600	Control Cover - Smoked	All
5	R3000701	Fan Motor, 208 VAC and 230 VAC	All
6	R3000801	Contactors, Single Phase	All
6	R3000802	Contactors, 3-Phase	All
7	R3000901	Transformer, Single Phase	All
8	R3001000	Water Pressure Switch	All
9	R3001100	Capacitor, Motor Fan	All
10	R3001201	Capacitor, Compressor (55/440)	2000
10	R3001202	Capacitor, Compressor (60/370)	2500
10	R3001203	Capacitor, Compressor (80/370)	3000
11	R3001300	Control Panel - 7 Buttons	All
12	R3001400	Refrigerant HP Switch	All
13	R3001500	Refrigerant LP Switch	All
14	R3001600	Wire Harness Kit	All
15	R3001700	Fan Blade Set	All
16	R3001800	Fan Guard	All
17	R3001900	Plumbing Bypass Assembly	All
18	R3002000	2" PVC Union Set, Superseded by R0472700	All
19	R3002101	Evaporator Coil/Guard	2000

Key No.	Part No.	Description	Model No.
19	R3002102	Evaporator Coil/Guard	2500
19	R3002103	Evaporator Coil/Guard	3000
20	R3002200	Heat Exchanger Drain Kit	All
21	R3009900	Heat Exchanger Retrofit Kit	1500
21	R3002301	Heat Exchanger Retrofit Kit	2000
21	R3002302	Heat Exchanger Retrofit Kit	2500
21	R3002303	Heat Exchanger Retrofit Kit	3000
22	R3002500	Compressor (55/440)	2000
22	R3002600	Compressor (60/370)	2500
22	R3002700	Compressor (80/370)	3000
N/S	R3002803	Thermal Expansion Valve	1500
N/S	R3002804	Thermal Expansion Valve (Adjustable) for All AE2000, AE2500, AE3000	All
24	R3002900	Water Temp Sensor	All
25	R3003000	3-Phase Monitor	All
N/S	R3003100	Air Temp Sensor	All
N/S	R3004600	Junction Box Cover	All
N/S	R3003800	Reversing Valve (Chill Units)	All
N/S	R3003203	Anchor Bracket Kit	All
26	R0490902	Filter Dryer Heat only	2500R, 3000R
26	R0490903	Filter Dryer Heat/Cool	2500R, 3000R

N/S - Not Shown



Replaced with
Part No. R3001300.



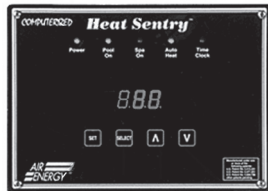
R3001300

Air Energy™ 2 Heat Pump (Discontinued) XE2550

Part No.	Description
C-0117	AE2 Beige Base
C-0118	AE2 Beige Front
C-0678	AE3 Beige Top
R3009500	Smoked Digital Cover
C-0699	Beige Control Frame
C-0705	AE2 Beige Door
R3000701	AE 500 Fan Motor ½ HP
R3000801	40 Amp 2 Pole Contactor
R3000901	50 Amp Transformer 240/24
R3001000	Water Pressure Switch
E-0172	6/14 Ground Lugs
R3001100	7.5/370 Capacitor
R3008700	Control Panel - 4 Buttons
E-0869	Scroll Compressor Plug
R3001400	2 Wire High Pressure Switch
E-0903+	17 Pin Block
R3001600	17 Pin Harness
R3001500	2 Wire Low Pressure Switch
R3007400	Hardware Kit
H-0295	Hasp
M-0351	AE 500 Fan Blade
M-0363	Controller Gasket
M-0376	AE2 Fan Motor Bracket
M-0384	Compressor Foot Insert
M-0385	Compressor Foot Grommet
M-0392	¼" x ½" Insulation Tape

Part No.	Description
M-0393	Remote Air Hose
M-0404	Evaporator
M-0409	⅝" Split Loom
P3001200	Water Plug Cap
R3002900	Water Temp Sensor
R0490901	Filter Dryer ⅝"
R0534000	AE2 Evaporator
R3002500	Scroll Compressor, 60k
R3002801	Thermal Expansion Valve
Titanium Parts	
Model No.	
XE25GHTDEES1E261	
XE2550,H,Ti,DTA,220/60/1	
Part No.	Description
R3002200	Titanium Drain Fitting
P-0493	Brass Draincock
P-0494	⅜" Drain Fit Adapter
R0561402	Heat Exchanger
Cupronickel Parts	
Model No.	
XE25GHCDEES1E261	
XE2550,H,Cu,DTA,220/60/1	
Part No.	Description
R0500100	⅛" Plastic Barb Fitting
R0561402	Heat Exchanger

N/A-Not Available



R3008700



Air Energy™ Magnum Heat Pump (Discontinued)

Part No.	Description
R3000701	AE 500 Fan Motor ½ HP
R3000801	40 Amp 2 Pole Contactor
R3000901	50 Amp Transformer 240/24
R3001000	Water Pressure Switch
E-0172	6/14 Ground Lugs
R3001100	7.5/370 Capacitor
E-0301	¾" Plastic Bushings
R3008700	Control Panel - 4 Buttons
E-0869	Scroll Compressor Plug
R3001400	2 Wire High Pressure Switch
E-0903+	17 Pin Block
E-0906	17 Pin Harness
R3001500	2 Wire Low Pressure Switch
R3007400	Hardware Kit
M-0353	Evaporator Screen 33" x 92"
M-0356	AE Fan Bracket Gold
R3001800	AE Fan Guard 350/500
M-0363	Controller Gasket
M-0369	Aluminum Mounting Plate
M-0384	Compressor Foot Insert
M-0385	Compressor Foot Grommet
M-0393	Remote Air Hose
M-0409	⅝" Split Loom

Part No.	Description
R3001700	AE 24" Fan Blade
P-0492	⅛" Plastic Barb Fitting
P3001200	Water Plug Cap
R3002900	Water Temp Sensor
R0490901	Filter Dryer ⅝"
R-0510	AE 350/400 Evaporator
R3002600	Scroll Compressor, 68k
R3002801	TXV BNEB5HCA - ⅝" x ⅝"
Titanium Parts	
Model No.	AEMGGHTDFES1F261
	AE2Mag, H, Ti, DTAJ, 220/60/1
Part No. Description	
P-0448	1 & ¼" Flex Pipe Rolls
R3002200	Titanium Drain Fitting
P-0493	Brass Draincock
P-0494	⅜" Drain Fit Adapter
R0561403	Heat Exchanger
Cupronickel	
Model No.	AEMGGCTDFES1F261
	AE2Mag, H, Cu, DTAJ, 220/60/1
Part No. Description	
R0561403	Heat Exchanger

N/A-Not Available

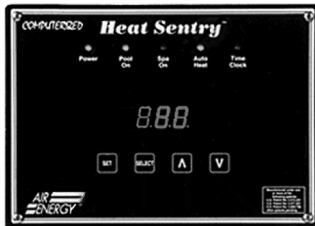


R3008700

Air Energy™ Super Heater Heat Pump (Discontinued) 550 SETI

Part No.	Description
C-0684	Beige Door
C-0685	Beige Top
C-0686	Beige Front
C-0687	Beige Base
C-0699	Beige Control Frame
C-0898	L Shape Acrylic Lock Cover
R3000701	SETI Fan Motor ½ HP
R3000801	40 Amp 2 Pole Contactor
R3000901	50 Amp Transformer 240/24
R3001000	Water Pressure Switch
E-0172	6/14" Ground Lugs
R3001100	7.5/370 Capacitor
E-0301	¾" Plastic Bushings
R3001300	Control Panel - 7 Button
R3008700	Control Panel - 4 Button
R3001203	80/370 Capacitor
E-0869	Scroll Compressor Plug
R3001400	2 Wire High Pressure Switch
E-0903+	17 Pin Block
R3001600	17 Pin Harness
R3001500	2 Wire Low Pressure Switch
R3007400	Hardware Kit

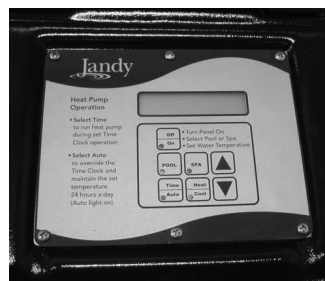
Part No.	Description
M-0356	AE Fan Bracket Gold
R3001800	AE Fan Guard 350/500
M-0363	Controller Gasket
M-0384	Compressor Foot Insert
M-0385	Compressor Foot Grommet
M-0393	Remote Air Hose
M-0409	⅝" Split Loom
M-0410	35" x 92" Evaporator Screen
R3001700	AE 24" Fan Blade
R3002900	Water Temp Sensor
R3002200	⅝" Drain Fit, TiHX
R0500100	⅛" Plastic Barb Fitting
P-0493	⅝" Drain Cock, Brass, Base-Pan
P-0494	⅝" Drain Fit, Base-Pan
R0490901	Filter Dryer ⅝"
R0561403	Heat Exchanger
R-0610	Scroll Compressor, 75k
R3002102	36" x 82½" Evaporator
R3002801	Thermal Expansion Valve
Reversing Option	
R0490903	Heat/Cool Filter Drier
R3003800	Reversing Valve V-10



R3008700



Replaced with
Part No. R3001300.



R3001300





DRIVE
RENAULT

AUTOMATION

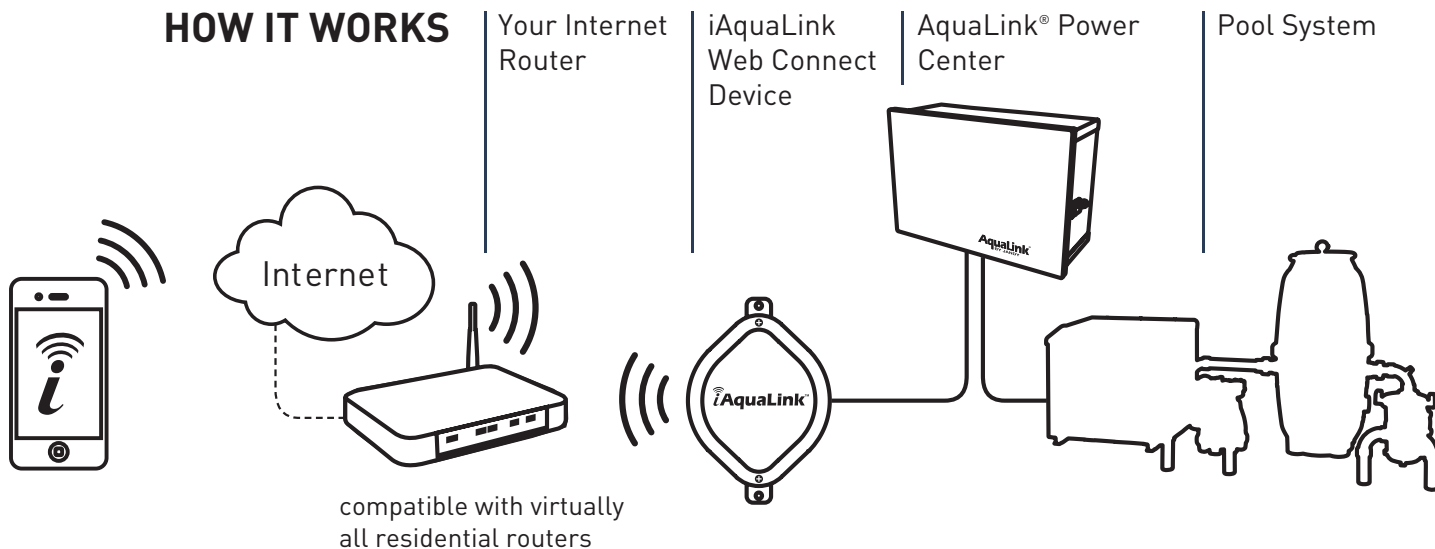


Automation	165
System Bundles	166
Automation Accessories	167
Selection Guide	168
Automation Accessories	172
Automation Parts	179

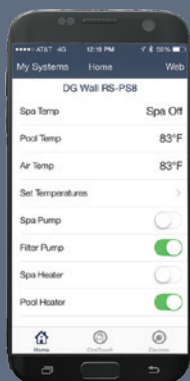
iAquaLink™

SMART DEVICE. SMART POOL. SMART YOU.

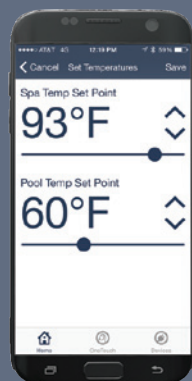
HOW IT WORKS



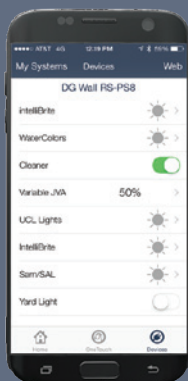
User-friendly App Interface



Home Screen



Set Temperatures



Device Control

System Type	24/7 web-based remote control	Full Programming and System Setup	One-Touch Macros via iAquaLink	Home Automation Integration via iAquaLink
AquaLink RS	Yes	Yes	Yes - 8	Some*
AquaLink PDA	Yes	—	—	—
AquaLink Z4	Yes	—	—	—

*As of early Fall 2015, iAquaLink driver modules are available from Crestron, Control4, Universal Remote Control (URC), and AMX. Please consult your home automation equipment manufacturer to see if an iAquaLink driver module is available for your specific home automation system.

EASY TO USE

- Operate AquaLink controllers anytime, anywhere, using your web-connected smartphone or tablet.
- Free apps available for Apple® and Android™ smartphones and tablets.
- Can be used with most existing wall-mounted or wireless AquaLink interfaces.
- Service pros can troubleshoot and setup AquaLink RS systems remotely.



AquaLink® RS Bundle Packs

AquaLink RS Bundles offer the ultimate in value and ease-of-ordering. Requires the pool owner have a web-connected smartphone, tablet, or computer. Separate system levels and power centers not required. Additional AquaLink RS user interfaces may be added, but are not required.

Part No.	Description
----------	-------------

Bundle Packs

iQ904-PS	RS-PS4 System Level, 6612F Power center, with 4 relays, iQ20-A iAquaLink 2.0 Web-Connect Device, & 2 valve actuators
iQ904-P	RS-P4 System Level, 6612F Power center, with 4 relays, iQ20-A iAquaLink 2.0 Web-Connect Device



AquaLink Z4 (Sold as bundle kits only)

The AquaLink Z4 automation systems control up to four circuits and three valve actuators. This affordable and easy-to-use control system seamlessly integrates with iAquaLink™ (optional), allowing pool professionals and homeowners to control and automate their pool using any smartphone, tablet, or web-connected device.

The AquaLink Z4 is available in four configurations. See the Automation Selection Guide for more details.

Part No.	Description	JVAs Included/Max
Pool & Spa Combo — Dual Body - Shared Equipment		
ZQ-4PS	Pump, Heater, & 3 Aux Includes: 4 Relays, iAquaLink not included	2/3
ZQ-4PSI	Pump, Heater, & 3 Aux Includes: 4 Relays, iAquaLink included	2/3
Pool Only / Spa Only — Single Body Only		
ZQ-4P	Pump, Heater, & 3 Aux Includes: 4 Relays, iAquaLink not included	0/3
ZQ-4PI	Pump, Heater, & 3 Aux Includes: 4 Relays, iAquaLink included	0/3

*Power Centers not included

AquaLink® Conversion Kits

Move up to AquaLink RS power with Conversion Kits. Simply convert your old AquaLink, Ji Series, Polaris® EOS®/SOL, and Compool® controls to the latest and greatest AquaLink Technology.



iAquaLink™ User Interfaces



Power Center PCB w/ Bezel

Features:

- Simpler programming and control of filter, pump, spa, pool and spa heater, solar and up to 8 auxiliary circuits
- For kits that include an iAquaLink web-connect device, any web-connected mobile device (user supplied, not included) such as a smartphone, tablet, or laptop, can be used as an interface by downloading or using the free iAquaLink apps.
- AquaLink PDA based system (PDACONVJ) includes an AquaLink wireless remote for programming and control
- Includes all necessary sheet metal goods and labeling to convert existing systems
- Built-In memory retains programming – even during extended power outages – no batteries required
- Automatic equipment safety circuits and freeze protection

Systems Include:

- One user interface (See chart below)
- One power center bezel with printed circuit board
- Required adapter plate(s)
- Required temperature sensors

Conversion Kits

Old System		New System			
Brand	Model	Part No.	System/Type	User Interface	
Jandy®	Ji2000, Ji4000, Ji8000, AquaLink 2, 4, 8	PDACONVJ	AquaLink PDA Pool/Spa 8	AquaLink Wireless Remote	
Jandy	Ji2000, Ji4000, Ji8000, AquaLink 2, 4, 8	7092	AquaLink RS Pool/Spa 8	OneTouch™	
Jandy	Ji600, Ji650, Ji1000, Ji1500, Ji2000, Ji4000, Ji8000, AquaLink 2, 4, 8	iQ-JNDY-RSPS8	AquaLink RS Pool/Spa 8	iAquaLink	
Jandy	AquaLink 10	iQ-JNDY-RS26	AquaLink RS Dual Equip 2-6	iAquaLink	
Compool	Compool 100, 1000P, 2000, 3000/T, 3400/T, 3600/T, 3800/T, Swim Master, Time Master	iQ-COMP-RSPS8	AquaLink RS Pool/Spa 8	iAquaLink	
Polaris	EOS/SOL Pool 8, Pool/Spa 8	iQ-POL-RSPS8	AquaLink RS Pool/Spa 8	iAquaLink	
Polaris	EOS/SOL Pool and Spa 8	PDACONVPPS8	AquaLink PDA Pool/Spa 8	AquaLink Wireless Remote	
Polaris	Sheetmetal-only kits for converting Polaris load centers to accept Jandy RS style system level boards.	EOSMETAL	N/A N/A	N/A	

AUTOMATION Selection Guide

Customize automation solutions for any application. The AquaLink® family of modular components work together to provide reliable, easy to use, and easy to set up pool & spa automation.

How to use the product icons **R P Z**

- | | | |
|---|--|--|
| Step 1
Select a system board. Its icon will be used to select other components. | Step 2
Select interface(s) compatible with the system board. | Step 3
Choose the power center. If a PureLink™ power center is selected, which integrates salt water chlorinator control, proceed to Step 4. |
|---|--|--|

Features

	Total Pool & Spa Automation	Variable Speed Pump Control	Freeze Protection	Color Light Control	Solar Priority	iAquaLink Control	iAquaLink Setup & Programming	Wireless Interface Included	One-Touch™ Macros / Hotkeys	8 Function Spa-Link	4-Button Spa-Side Remote	Seasonal Auto-Adjust (Energy Savings Plan)	Temperature Priority Logic	Landscape Lights at Dusk	pH Control	Integrates with Home Automation
R AquaLink RS	✓	✓	✓	✓	✓	○	○	○	6	○	○	✓	✓	✓	○	○
P AquaLink PDA	✓	✓	✓	✓	✓	○	—	✓	2	—	○	—	—	—	○	—
Z AquaLink Z4	✓	✓	✓	✓	✓	○	—	○	—	—	—	—	—	—	—	—

KEY ✓ included | ○ optional | — not available

1 SELECT THE SYSTEM BOARD

R AquaLink RS

	Part Number	Power Centers Required*	Relays Included With:			Total 3HP Relays	JVA's Included /Max
			Power Centers	System Board			
Pool & Spa Combo Dual Body - Shared Equipment	Pump, Heater, & 3 Aux	RS-PS4	1*	4 + 0 =	4	2 / 4	
	Pump, Heater, & 5 Aux	RS-PS6	1*	4 + 2 =	6	2 / 4	
	Pump, Heater, & 7 Aux	RS-PS8	1*	4 + 4 =	8	2 / 4	
	Pump, Heater, & 11 Aux	RS-PS12	2*	8 + 4 =	12	2 / 8	
	Pump, Heater, & 15 Aux	RS-PS16	2*	8 + 8 =	16	2 / 8	
	Pump, Heater, & 23 Aux	RS-PS24	3*	12 + 12 =	24	2 / 12	
	Pump, Heater, & 31 Aux	RS-PS32	4*	16 + 16 =	32	2 / 16	
Pool Only / Spa Only Single Body Only	Pump, Heater, & 3 Aux	RS-P4	1*	4 + 0 =	4	0 / 4	
	Pump, Heater, & 5 Aux	RS-P6	1*	4 + 2 =	6	0 / 4	
	Pump, Heater, & 7 Aux	RS-P8	1*	4 + 4 =	8	0 / 4	
Pool & Spa Dual Dual Body - Dual Equipment	2 Pumps, 2 Heaters, & 6 Aux	RS2-6	1*	4 + 4 =	8	0 / 4	
	2 Pumps, 2 Heaters, & 10 Aux	RS2-10	2*	8 + 4 =	12	0 / 8	
	2 Pumps, 2 Heaters, & 14 Aux	RS2-14	2*	8 + 8 =	16	0 / 8	
	2 Pumps, 2 Heaters, & 22 Aux	RS2-22	3*	12 + 12 =	24	0 / 12	
	2 Pumps, 2 Heaters, & 30 Aux	RS2-30	4*	16 + 16 =	32	0 / 16	

P AquaLink PDA

	Part Number	Power Centers Required*	Relays Included With:			Total 3HP Relays	JVA's Included /Max
			Power Centers	System Board			
Pool & Spa Combo Dual Body - Shared Equipment	Pump, Heater, & 3 Aux	PDA-PS4	1*	4 + 0 =	4	2 / 4	
	Pump, Heater, & 5 Aux	PDA-PS6	1*	4 + 2 =	6	2 / 4	
	Pump, Heater, & 7 Aux	PDA-PS8	1*	4 + 4 =	8	2 / 4	
Pool Only / Spa Only Single Body Only	Pump, Heater, & 3 Aux	PDA-P4	1*	4 + 0 =	4	0 / 4	
	Pump, Heater, & 7 Aux	PDA-P8	1*	4 + 4 =	8	0 / 4	

Z Zodiac® AquaLink Z4

	Part Number	Power Centers Required	Relays Included	iAquaLink Included	Total 3HP Relays	JVA's Included /Max
Pool & Spa Combo Dual Body - Shared Equipment	Pump, Heater, & 3 Aux	ZQ-4PS	0 - included	No	4	2 / 3
	Pump, Heater, & 3 Aux	ZQ-4PSi	0 - included	Yes	4	2 / 3
Pool Only / Spa Only Single Body Only	Pump, Heater, & 3 Aux	ZQ-4P	0 - included	No	4	0 / 3
	Pump, Heater, & 3 Aux	ZQ-4Pi	0 - included	Yes	4	0 / 3





*Assumes up to eight 3HP relays per power center. The 6612F power center can not hold more than the four included 3HP relays.




2 SELECT THE INTERFACE

Lettered dots indicate system compatibility.



AquaLink® Interfaces

Device	Description	Part Number	List Price
iAquaLink™ 2.0 Web-Connect Device R P Z	 iAquaLink Web-Connect Devices Included with some bundles (ie. iQ904-PS, iQ904-P, ZQ-4PSi, & ZQ-4Pi). Smartphone not included. Apple® is not a participant in or sponsor of this promotion.	iQ20-A iQ20-RS	
AquaLink RS Touch™ R	 Wireless w/charging base Wired - Flush Mount Wired - Surface Mount	TCHLNK-RF TCHLNK-WF TCHLNK-WS	
AquaLink RS** OneTouch™ R	 OneTouch, White OneTouch, Black	7953 7954	
AquaLink RS** All-Button R	 4-Function (P&S) 6-Function (P&S) 8-Function (P&S)	6890 6888 6886	

Device	Description	Part Number	List Price
AquaLink Wireless Remote R Z	 Wireless Remote & Transceiver Use to control RS & Z4 systems. Use to program PDA systems. Included with PDA systems.	AQWHR-18	
SpaLink®** 8 Function Spa Remote R	 White 150' w/ Frame Gray 150' w/ Frame Black 150' w/ Frame Flush Mount Mud Box	7227 7887 7888 7940	
Spa-Side** 4 Function Spa Remote R P	 White 100' White 150' Gray 100' Gray 150' Black 100' Black 150'	7441 7443 8049 8050 7442 7444	

** See Automation Accessories section of catalog for other available configurations.

3 SELECT THE POWER CENTER

AquaLink & PureLink™ Power Centers



Power Center	3HP Relays (Included/Max)	Sub-Panel	Number of Breakers (Max)	Salt Water Chlorinator Control	Part Number	List Price
R P PureLink Sub-Panel Power Center for Automation and Salt Water Chlorination	4/8	✓	12	✓***	6614AP-L	
R P PureLink Power Center for Automation and Salt Water Chlorination	4/8	No	0	✓***	6613AP	
R P AquaLink Sub-Panel Power Center for Automation Control Systems	4/8	✓	12	No	6614-LD	
R P AquaLink Power Center for Automation Control Systems.	4/8	No	0	No	6613	
R P Compact Power Center for Basic Automation Control Systems.	4/4	No	0	No	6612F	
R P Z AquaPure® Power Pack. Used to power & control AquaPure & Fusion Soft salt water chlorinators. Not an enclosure for Automation systems.	0/0	No	0	✓***	APUREM FUSIONM	
<i>Note: FS0FT700 & FS0FT1400 are NSF® approved only when used with FUSIONM.</i>						
Z Aqualink Z4 systems come pre-installed in a power center - no additional power center required.	4/4	No	0	See Note	N/A bundled with system	
<i>Note: To control an AquaPure or Fusion Soft salt water chlorinator, order APUREM or FUSIONM (above).</i>						

*** Requires purchase of a salt water chlorinator. Proceed to Step 4 (below)

4 CHOOSE A SALT WATER CHLORINATOR

Salt Water Chlorination



Device	Versa-Plumb®	For Pools Up to	Part Number	List Price
R P Z AquaPure® 3-Port Salt Water Chlorinator Cell	✓	12K Gallons	PLC700	
	✓	40K Gallons	PLC1400	
R P Z Fusion Soft — Salt Water Chlorinator system with integrated Nature2® Mineral Sanitizer technology	✓	12K Gallons	FSOFT700	
	✓	40K Gallons	FSOFT1400	

For live help selecting the right automation system, please call Zodiac® technical support M-F 6am-5pm (Pacific), 9am-8pm (Eastern) at 1.800.822.7933, or email us any time at: productsupport@zodiac.com

Pumps

Filters

Heaters

Heat Pumps

Automation

Water Leveling

Water Sanitizers

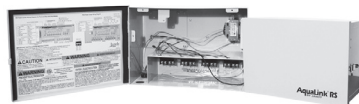
Valves

Water Designs

Lighting

Cleaners

Accessories



Foundation Power Center
Up to 4 relays
(For use with PS4 and P4)

AquaLink® Power Centers **RP**

Available with or without PureLink™ salt water chlorinator, in foundation, standard and sub-panel with twelve (12) breaker mount plate slots and knockout for GFCI. AquaLink or PureLink Power Centers are required for all AquaLink RS or AquaLink PDA control systems.

Features:

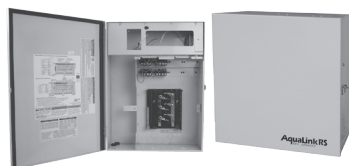
- Used with AquaLink RS and AquaLink PDA system levels.
- Simple, top-down installation
- 120 VAC Power Transformer (supply input)
- Powder-coated, galvanized steel construction
- Multiple knockouts for ½" to 1½" conduit
- Service and time-out for all circuits (AquaLink RS & PDA)
- Twelve 1" breaker mounts & slots. Rated for 125 Amps total (sub-panel models only)
- GFCI side knockout (sub-panel only)
- Add up to three (3) auxiliary power centers within 500 feet of the primary power center
- Add surge protection for all components

Suggested Circuit Breakers (Available Locally)*

Manufacturer	Single	Double	Twin	Quad	GFCB	Filler Plate
Cutler-Hammer®	BR	BR	BRD	BRD	GFCB	BRFP
Murray®	MP-T	MP-T	MH-T	MH-T	MP-GT	LX100FP
Siemens®	QP	QP	QT	QT	QPF**	QF3
Square D®	HOM	HOM	HOMT	HOMT	HOM	HOMFP
Thomas & Betts®	TB	TB	TBBD	TBBQ	GFB	FP-1C-TB

*This list is a partial list. "Equivalent" UL or ETL listed circuit breakers from other brands are also suitable for this enclosure.

**Recommended for use with variable speed pumps.



PureLink Power Centers
Sub-Panel (open) &
Standard (closed)

PureLink Power Centers **RP**

PureLink Power Centers combine all the features of the AquaLink RS Power Centers and AquaPure® water purification electronics. Ideal for pools where AquaLink Automation and AquaPure Salt Water Chlorination will be used together. Includes all electronics need to power and control AquaPure 3-Port cells and Fusion Soft chlorinators. Available with or without sub-panel for circuit breakers.

Features:

- Works with all AquaLink RS and PDA control models
- Separate pool and spa chlorine settings
- Super Chlorinate feature
- Salt display and diagnostic information
- Simple, top-down installation, 3 HP Relays
- Control of Zodiac® AquaPure® cell



iAquaLink Web Connect Device

iAquaLink™ 2.0 Web Connect Device *AquaLink® RS Rev R or newer, AquaLink PDA Rev 6 or newer*

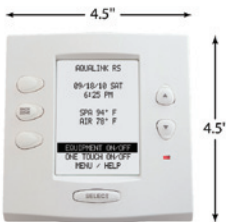
- Operate the AquaLink system from any web-enabled computer or smart device
- Free Android®, iOS®, and HTML5 apps for virtually all smartphones and tablets.
- Fully functional; operate all equipment, change water temperature set points, turn water features on/off, and adjust color lights any time, anywhere.
- See water temp, air temp, and equipment status at a glance
- Connects to pool owner's internet service via Wi-Fi or Ethernet cable
- Free service; no subscriptions or other charges
- Full control and programming with AquaLink RS systems. Control Only with other automation systems.



AquaLink Wireless Handheld Remote

AquaLink Handheld Wireless Remote (18 Channel):

- Complete control in a wireless handheld remote
- Water-resistant, slip-proof housing
- Wireless control of temperatures, equipment, and lighting
- With AquaLink RS, can be used with all other User Interfaces, plus all 4 & 8 function spa-side remotes. AquaLink RS systems still require a primary interface.
- Required for programming (and included with) AquaLink PDA system levels.
- PDA system levels can only be programmed with handheld remote. *PDA system levels can also be controlled with iAquaLink, and 4 function spa-side remotes, but are not compatible with Touch or OneTouch™ Interfaces.*



OneTouch Control Panel

OneTouch™ Requires Rev I or later

- Simple indoor programming and control of filter pump, heater, solar, and up to 32 auxiliary circuits
- Variable speed pump control and programming
- ESP-Link (Energy Saving Program) will automatically adjust filtration, purification, lighting, cleaning and sprinklers based on the seasonal needs of any pool or spa
- Salt chlorine generator control and programming
- Smart color lighting interface
- Optional four (4) function and eight (8) function spa side remotes
- Optional 2-speed pump relay
- Optional wireless AquaLink Remote



AquaLink Touch
(Limited Availability)

AquaLink Touch™ Requires Rev Q or later

- 7" diagonal, full color touch panel
- Digital picture frame and slideshow settings from memory flash card input
- Customizable home screen for simplified operation
- Wired and wireless options available
- Wireless handheld indoor control panel with desktop charging base
- Simple programming and control of filter pump, heater, solar, and up to 32 auxiliary circuits
- Variable speed pump control and programming
- ESP Link (Energy Savings Program) will automatically adjust filtration, purification, lighting, cleaning, and sprinklers based on seasonal needs of any pool and spa



iAquaLink Web Connect Device

Most popular accessories

iAquaLink™ 2.0 Web Connect Device *AquaLink® RS Rev R or newer, AquaLink PDA Rev 6 or newer*

- Operate the AquaLink system from any web-enabled computer or smart device
- Free Android®, iOS®, and HTML5 apps for virtually all smartphones and tablets.
- Fully functional; operate all equipment, change water temperature set points, turn water features on/off, and adjust color lights any time, anywhere.
- Full control and programming with AquaLink RS systems. Control Only with other automation systems.

Part No.	Description
----------	-------------

iQ20-A	iAqualink 2.0 Network Interfac Module, US RPZ
iQ20-RS	iAqualink 2.0 Upgrade Kit, RS Systems R



AquaLink Wireless Handheld Remote

AquaLink® Handheld Wireless Remote **RPZ**

- Complete control in a wireless handheld remote
- Water-resistant, slip-proof housing
- Wireless control of thermostats, display of water and air temperatures
- Variable speed pump control
- Salt chlorine generator control
- With AquaLink RS, can be used with all other User Interfaces, plus all 4- and 8-function spa-side remotes.
- Required for programming (and included with) AquaLink PDA system levels.
- PDA system levels require a handheld remote for programming.

PDA system levels include a handheld remote. They can also be controlled with iAquaLink™, and 4 function spa-side remotes, but are not compatible with Touch™ or OneTouch™ Interfaces.

Part No.	Description
----------	-------------

AQWHR-18	AquaLink Handheld Wireless Remote with J-box Transceiver
----------	--



AquaLink RS All Button Control Panel

AquaLink® RS All Button User Interfaces **R**

The AquaLink RS All Button User Interfaces should be used for older AquaLink RS systems.

- May be used with with AquaLink RS systems with firmware revisions QQQ or older.

Part No.	Description
----------	-------------

6886	Indoor Control Panel Aqualink RS8 Pool/Spa Combo
6887	Indoor Control Panel Aqualink RS8 PoolOnly/SpaOnly
6888	Indoor Control Panel Aqualink RS6 Pool/Spa Combo
6889	Indoor Control Panel Aqualink RS Pool Only/Spa Only
6890	Indoor Control Panel Aqualink RS4 Pool/Spa Combo
6891	Indoor Control Panel Aqualink RS4 PoolOnly/SpaOnly
6892	Indoor Control Panel Aqualink RS2/6 Dual Equipment

R-Limited Quantity. Available While Supplies Last. **DISC**-Discontinued



4 Function Spa Side Remote

4 Function Spa Side Remotes **RP**

Weather resistant. Install above water in the tile line, decking or anywhere outdoors.

- Spa side control of desired water temperatures and other pool/spa features
- 2 3/4" in diameter

Part No. Description

7441	1"– 1½" Spa Side Remote (4 Function) 100' White
7442	1"– 1½" Spa Side Remote (4 Function) 100' Black
8049	1"– 1½" Spa Side Remote (4 Function) 100' Gray
7443	1"– 1½" Spa Side Remote (4 Function) 150' White
7444	1"– 1½" Spa Side Remote (4 Function) 150' Black
8050	1"– 1½" Spa Side Remote (4 Function) 150' Gray
7445	1"– 1½" Spa Side Remote (4 Function) 200' White
7446	1"– 1½" Spa Side Remote (4 Function) 200' Black
8051	1"– 1½" Spa Side Remote (4 Function) 200' Gray
5400+	Decal Set, Spa Side Remote



SpaLink RS

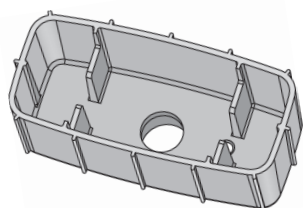
SpaLink[®] RS 8-Function Spa Side Remotes **R**

Control 8 of the following items: filter pump, heater, solar, spa and 7 aux circuits. Installed above water in the tile line, decking, or outdoors. Weather-resistant housing with matching flush mount frame

- Large, easy-to-read display of water and air temperatures
- Install up to three (3) SpaLinks on one (1) AquaLink RS system
- Dimensions: L: 6½" x W: 2 5/16" x H: 1" with frame: L: 7½" x W: 3½" x H: 1¼"

Part No. Description

7227	SpaLink RS 150' White
7489	SpaLink RS 200' White
7887	SpaLink RS 150' Gray
7890	SpaLink RS 200' Gray
7888	SpaLink RS 150' Black
7940	SpaLink Flush Mount Mud Box L: 7¼" x W: 3 5/16" x H: 2 3/4"
6781+	Decal Set, SpaLink
R0552500	Spa Link Frame R-Kit White
R0552600	Spa Link Frame R-Kit Gray



SpaLink RS Flush Mount Mud Box

Common Accessories

Part No.	Description	Part No.	Description
INTERLINK	RS InterLink Module, control up to 4 Bodies of Water* R	6796	2-Speed Motor Relay Kit RPZ
AQPLM	AquaLink Handheld Wireless Remote -10 Channel RPZ	4424	JVA 24V, 180° Rotation RPZ
SPK8	Sprinkler Module, up to 8 Sprinkler Valves R	6584	Multiplex PCB RPZ
7620	RS Serial Adapter, Home Automation Interface R	6908	AquaLink RS Surge Protection Kit RP
6587	Incandescent Light Dimming Module R		

*INTERLINK not recommended where iAquaLink™ is used. We recommend using two iAquaLink devices — which can be controlled as separate locations through the apps.

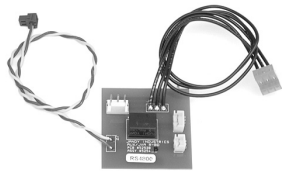


Jandy Valve® Actuator

Jandy® Pro Series Valve Actuators **RPZ**

- New design with easier cam adjustment, PCB and hidden toggle switch
- 24 Volt valve actuator
- Automates any 3-way diverter valves for pool/spa combinations and water features
- Can rotate diverters to any position
- Designed to work with the AquaLink® RS and compatible with all pool/spa valves

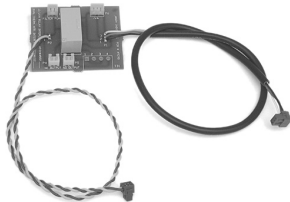
Part No.	Description
4424	JVA 24 V, 180° Rotation



Auxiliary/JVA Relay Board **RPZ**

Used to operate a JVA (24V) from any relay socket, or two JVAs from one socket.

Part No.	Description
5254	Auxiliary/JVA Relay Board

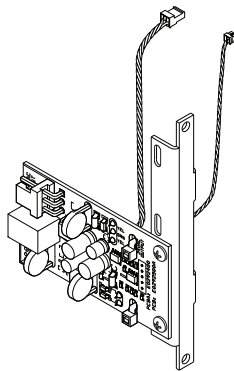


JVA Relay Interlock Board

JVA Relay Interlock Board **RPZ**

Used to turn off or on a piece of equipment when the system switches from pool to spa.

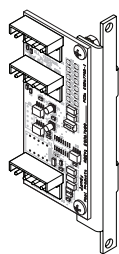
Part No.	Description
4922	JVA Relay Interlock Board



Smart JVA Board **R**

- Provides variable rotation control of one standard JVA
- For use with AquaLink RS System Levels — Rev T or newer
- Setup using OneTouch™ or iAquaLink™ Interfaces
- Requires one JVA and one aux circuit (relay not required)

Part No.	Description
SMARTJVA	Smart JVA Board



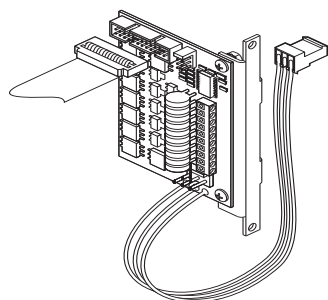
InterLink Module

RS InterLink [®]

For control of up to four (4) bodies of water from a single iAquaLink™, AquaLink® Touch™ or OneTouch™ control panel. Integrate two (2) RS systems into one (1) control panel. INTERLINK not recommended where iAquaLink is used. We recommend using two iAquaLink devices—which can be controlled as separate locations through the apps.

Part No.	Description
INTERLINK	RS InterLink PCB

Note: REVISION N or later software.



Sprinkler Module

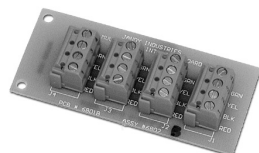
RS Sprinkler Module [®]

Provides integration of eight (8) sprinkler valves with an AquaLink RS system for control from the OneTouch indoor control panel.

- Up to eight (8) sprinkler valve connections
- PCB fits into RS power center daughter card area
- ESP-Link (Energy Saving Program) automatically adjusts program times when the seasons change.
- Works with iAquaLink, AquaLink Touch and OneTouch user interfaces.

Part No.	Description
SPK8	RS Sprinkler Module PCB

Note: REVISION N or later software.



Multiplex Board

Multiplex Board ^{®PZ}

Recommended for use when connecting more than two (2) wires in each terminal of a red 4 pin connector.

Part No.	Description
6584	Multiplex Board



2-speed Relay Kit

2 Speed Motor Relay Kit ^{®PZ}

Provides control of a high voltage, 2-speed pump motor. Works with Zodiac® and Polaris® Brand of Control Systems.

- Type: SPDT
- AMPS: 20 Max
- PUMP: 2 HP Max at 220 VAC

Part No.	Description
6796	2-Speed Relay Kit

ⓘ Limited Quantity. Available While Supplies Last.

Pumps

Filters

Heaters

Heat Pumps

Automation

Water Leveling

Water Sanitizers

Valves

Water Designs

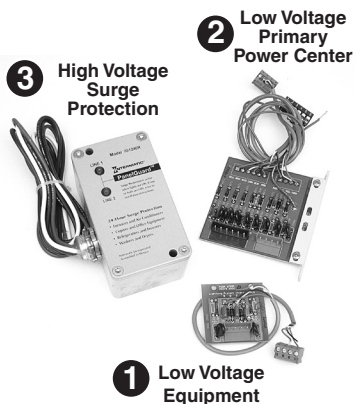
Lighting

Cleaners

Accessories

AquaLink® RS Surge Suppression Kits **RP**

Protect your investment from severe power surges by adding a Surge Suppression Kit to Jandy®/Zodiac® or Polaris® Control Systems.



AquaLink RS Surge Suppression Kits

Part No.	Description
----------	-------------

Surge Suppression Kits

6908	Surge Protection Kit (for RS 4, 6, 8, 2/6 & PDA) Includes 1x 1 , 1x 2 , 1x 3
------	--

7627	Surge Suppression Kit (for RS12, 16, 2/10, 2/14) Includes 2x 1 , 1x 2 , 1x 3
------	--

Note: For each additional power center, order part # 6585.

Part No.	Description
----------	-------------

Surge Suppression Add-ons

6585	Surge Protection PCB for Low Voltage Control Panel, Auxiliary Power Centers, and Accessory Devices including AquaPure® and PureLink™ Chlorine Generators, AquaPalm™, J-box, and PDA J-box. Includes 1x 1
------	--

Part No.	Description
----------	-------------

Surge Suppression Repair Kits

5815	Repair Kit, Surge Protection for High Voltage. Includes 1x 3
------	--

7028	Repair Kit, Surge Protection for Low Voltage Control Panel & Power Center PCBs. Includes 1x 1 , 1x 2
------	---

7029	Repair Kit, Surge Protection for Low Voltage Power Center PCB. Includes 1x 2
------	--



Temperature Sensor

Temperature Sensor Kit

- 10K Ohms Thermistor
- For use with Zodiac or Polaris Controls

Part No.	Description
----------	-------------

RPZ 7790	Temp Sensor Kit, Gray (Air/Water/Solar) 15'
-----------------	---

RPZ 7786	Temp Sensor Kit, Gray (Air/Water/Solar) 50'
-----------------	---

RPZ 7791	Temp Sensor Kit, Gray (Air/Water/Solar) 125'
-----------------	--

4019*	Temp Sensor 4 Wire Kit (For older Jandy Ji and AquaLink systems requiring a 4-wire temp sensor.)
-------	--

5089*	Temp Sensor 2 Wire Kit (For older Jandy Ji2000 only)
-------	---

*Note: 1 K Ohms Thermistor.

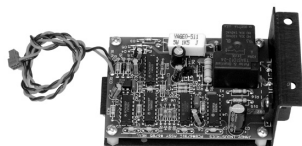


**AquaLink RS
Booster Supply Kit**

AquaLink® Booster Supply Kit ®

Suitable for long runs from the power center or multiple device systems to control panels.

Part No.	Description
7477	RS Booster Supply Kit (While supplies last)



Light Dimming Kit

RS Light Dimming Relay ®

Provides dimming for pool, spa and landscape incandescent lights. For use with 120V lighting systems or dimming-capable transformer-based low-voltage lighting. Add light dimming to any AquaLink RS auxiliary circuit.

- 1000 watts maximum
- 120 VAC/12 VAC
- Not compatible with the PDA systems

Part No.	Description
6587	Light Dimming Relay Kit

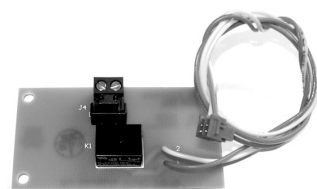


Relay Splitter

Relay Splitter ®PZ

Allows one (1) auxiliary circuit to activate two (2) relays.

Part No.	Description
5098	Relay Splitter



**Dual Heater
Interface Kit**

Heater Interface Kit ®

For use with AquaLink RS Dual Equipment Systems when it is necessary to activate both heaters separately. (Included with all RS Dual Equipment Systems.)

Part No.	Description
6586	Heater Interface Kit for Dual Equipment

ⓘ Limited Quantity. Available While Supplies Last.

Pumps

Filters

Heaters

Heat
Pumps

Automation

Water
LevelingWater
Sanitizers

Valves

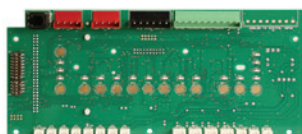
Water
Designs

Lighting

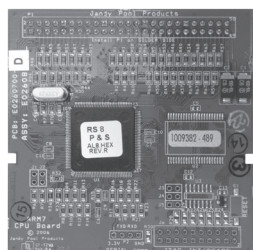
Cleaners

Accessories

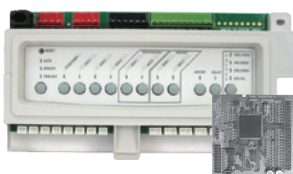
AquaLink® RS & PDA Power Center Boards & Firmware



50-Pin Main Power Center Board



50-Pin CPU Board



Upgrade Kits

Includes 50-Pin Main PCB with Bezel, key pad, and 50-Pin CPU Board



50-Pin Main Power Center Board Only 50-Pin CPU board required (not included)

System Type	AquaLink RS R	AquaLink PDA P
All 50-Pin CPU Systems (RS Rev N & newer, PDA Rev 6 & newer)	R0466700	R0466700

Latest Rev 50-Pin CPU Boards Only For 50-Pin Main Power Center Boards

System Type	AquaLink RS R	AquaLink PDA P	
P/S Combo (2 bodies of water: shared pump & heater)	4 Pool/Spa Combo	R0466803	R0586102
	6 Pool/Spa Combo	R0466802	R0586103
	8 Pool/Spa Combo	R0466801	R0586104
	12 Pool/Spa Combo	R0466810	Not Available
	16 Pool/Spa Combo	R0466811	Not Available
	24 Pool/Spa Combo	R0466812	Not Available
	32 Pool/Spa Combo	R0466813	Not Available
Pool or Spa Only (1 body of water)	4 Pool Only/Spa Only	R0466806	R0586100
	6 Pool Only/Spa Only	R0466805	Not Available
	8 Pool Only/Spa Only	R0466804	R0586101
	16 Pool Only/Spa Only	R0466815	Not Available
	24 Pool Only/Spa Only	R0466816	Not Available
Dual Equip (2 bodies of water, separate pump & heater)	2/6 Dual Equipment	R0466807	Not Available
	2/10 Dual Equipment	R0466818	Not Available
	2/14 Dual Equipment	R0466819	Not Available
	2/22 Dual Equipment	R0466820	Not Available
	2/30 Dual Equipment	R0466821	Not Available

Latest Rev Upgrade Kits Includes 50-Pin Main Power Center Board, Bezel, Key Pad & CPU Board

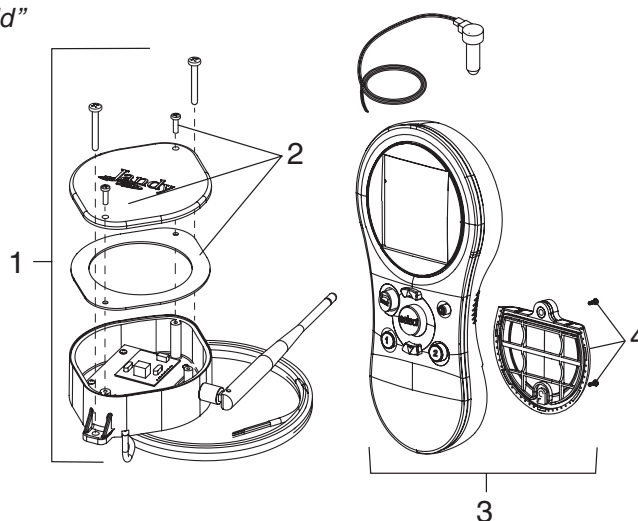
System Type	AquaLink RS R	AquaLink PDA P	
P/S Combo (2 bodies of water: shared pump & heater)	4 Pool/Spa Combo	R0468503	R0586503
	6 Pool/Spa Combo	R0468502	R0586504
	8 Pool/Spa Combo	R0468501	R0586505
Pool or Spa Only (1 body of water)	4 Pool Only/Spa Only	R0468506	R0586501
	6 Pool Only/Spa Only	R0468505	Not Available
	8 Pool Only/Spa Only	R0468504	R0586502
Dual Equip (2 bodies of water: separate pump & heater)	2/6 Dual Equipment	R0468507	Not Available

PPD 52-Pin PPDs No Longer Available due to component supplier discontinuation.

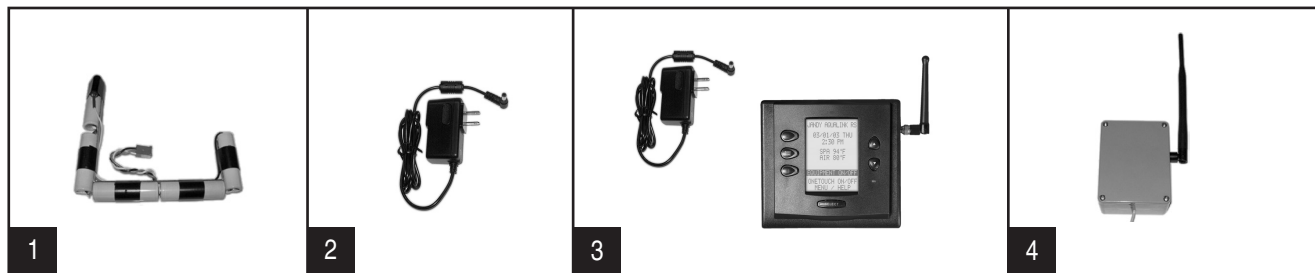
AquaLink® Handheld Remote Replacement Parts

Replaces both "PDA Handheld" and "AquaPalm™ Handheld"

Key No.	Part No.	Description
1	R0686300	PDA/Aqua Palm J Box Assembly w/ 18-Channel RF, R Kit
1	R0441900	Outdoor J-Box w/ Transmitter
2	R0443300	Gasket/Screws (2), J-Box
3	R0687300	PDA/Aqua Palm w/ 18-Channel RF, Hand Held, R Kit
3	R0444300	AquaLink Handheld Wireless Remote 10-Channel
4	R0443400	Black Battery Door/Seal/Screws (2), Handheld
4	R0578200	Blue Battery Door/Seal/Screws (2), Handheld



Rechargeable Wireless OneTouch™



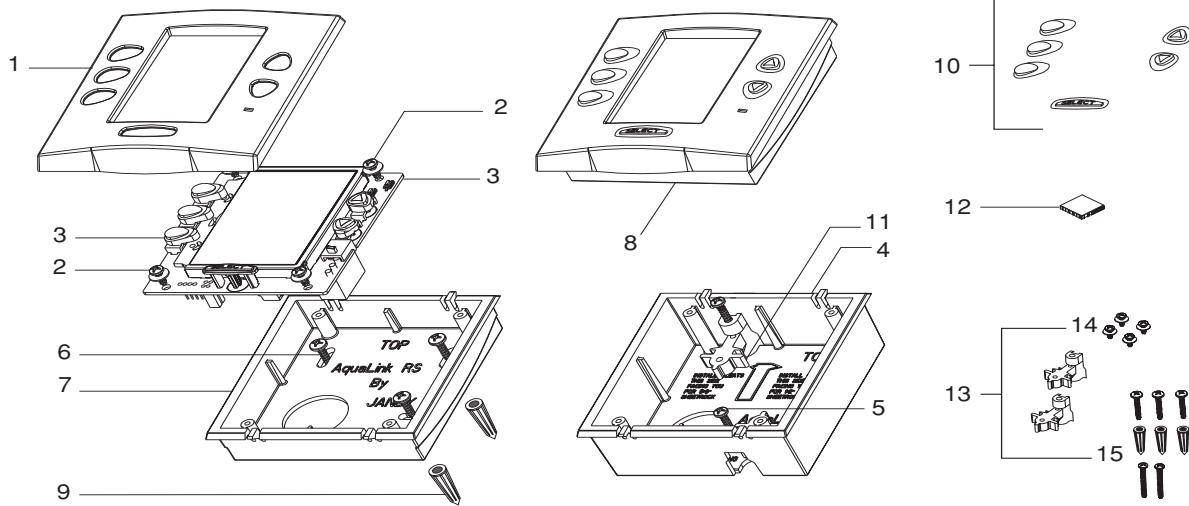
Key No.	Part No.	Description
1	R0560000	Battery Pack
2	R0560200	Wireless Power Supply Charger Kit
3	8227	Additional Portable Wireless Control Panel (with recharging circuitry and OneTouch PCB), Superseded by TCHLNK-RF
4	8241	Wireless Outdoor J-box Kit, Superseded by TCHLNK-RF

Old Style Wireless Replacement Parts

8114, 8115, 8113, 8131, 8133 and 8134 no longer available. Please use new rechargeable wireless replacement parts listed above.

Note: If replacing an old indoor desktop or an outdoor J-box, both units must be changed to the new "Rechargeable Wireless" style.

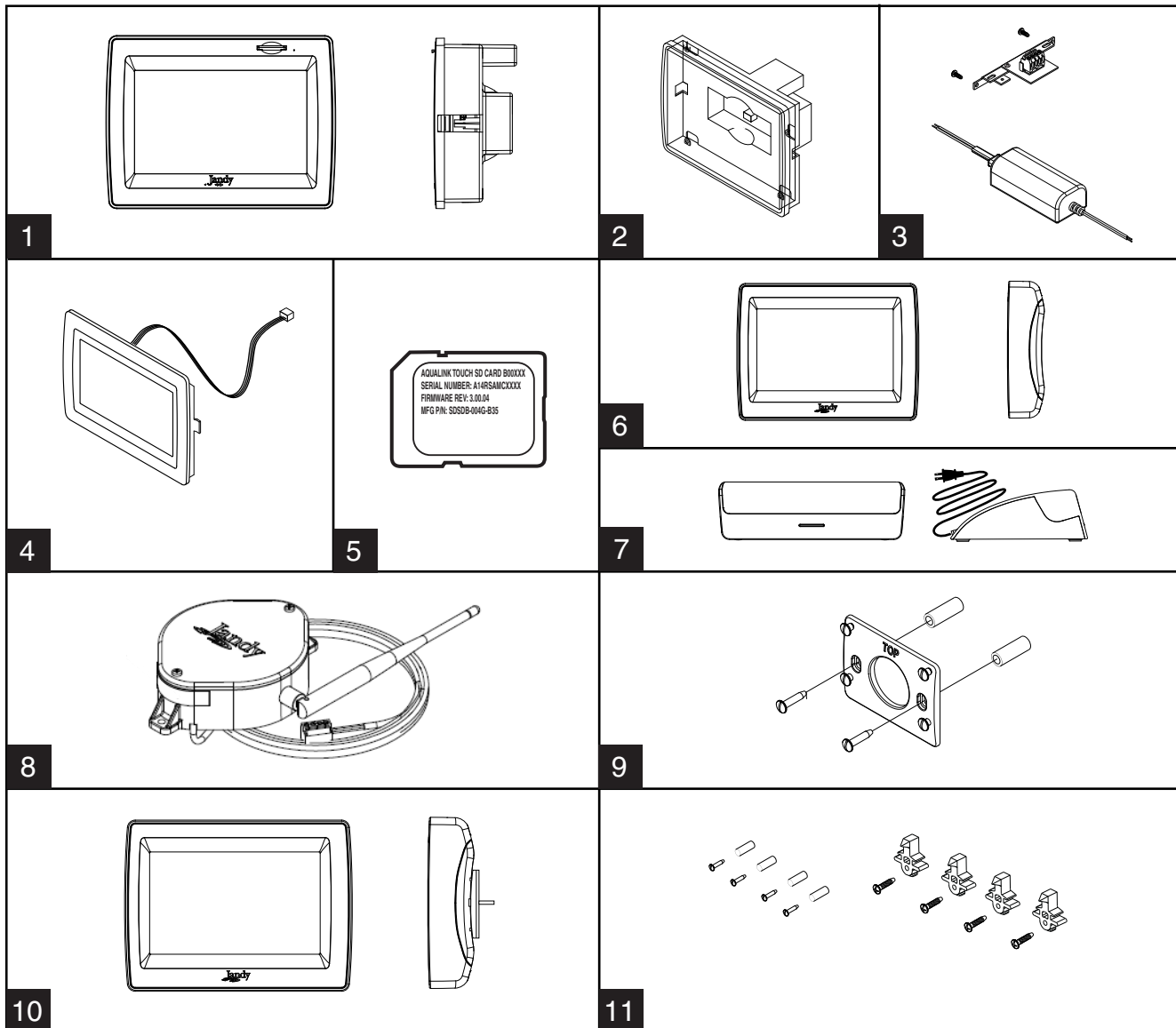
OneTouch™ Control Panel



Key No.	Part No.	Description
1	R0550100	OneTouch, Faceplate Only, White
1	R0550200	OneTouch, Faceplate Only, Black
1	R0550300	OneTouch, Faceplate Only, Satin Chrome
1	R0550400	OneTouch, Faceplate Only, Polished Chrome
1	R0550500	OneTouch, Faceplate Only, Satin Brass
1	R0550600	OneTouch, Faceplate Only, Polished Brass
2	R0551200	Screw, #6 x 3/8" Phillips Pan Head, Type BT (Purchase Kit #R0551200)
2	4862	Washer, Buna N, 3/8" OD (Purchase Kit #R0551200)
3	R0550700	PCB Subassembly w/ White Buttons and LCD
3	R0550800	PCB Subassembly w/ Black Buttons and LCD
4	R0550900	Housing, Flush Mount, White
5	3278	Screw, #6 x 1" Phillips Pan Head, Type A (Purchase Kit #R0551300)
6	1325	Screw, #8 x 5/8" Phillips PN T-A (Purchase Kit #R0551300)
7	R0551000	Housing, Surface Mount, White
7	R0551100	Housing, Surface Mount, Black
8	7953	OneTouch Control Panel, Complete, Surface and Flush Mount, White
8	7954	OneTouch Control Panel, Complete, Surface and Flush Mount, Black
9	R0551300	Screw Anchor, Sheet Rock (Purchase Kit #R0551300)
10	R0551400	Replacement Buttons, OneTouch, White
10	R0551500	Replacement Buttons, OneTouch, Black
11	7684	Cleat, Flush Mount Sheet Rock Fastener (Purchase Kit #R0551300)
12	R0410200	OneTouch Controller Chip
13	7952	Mount Kit, RS Controller (Includes 1x Part #R0551200, 1x Part #R0551300, 2x Part #7694)
14	R0551200	PCB Screw Kit, OneTouch (Includes 4x Part #R0551200, and 4x Part #4862)
15	R0551300	Housing Screw Kit, OneTouch (Includes 2x Part #3279, 3x Part #1325, and 3x Part #R0551300)
N/S	R0551800	Service Controller, One Touch w/ 3 ft. Cable and Connector
N/S	R0467100	Wire Harness w/ RJ10 Connector, Service Controller

N/S - Not Shown

AquaLink® Touch™ Replacement Parts



Key No.	Part No.	Description
1	R0497400	Control Panel Complete, Wired Flush Mount, AquaLink Touch, R-Kit
2	R0497500	Back Housing W/ RS485 PCB, Wired, Flush Mount, AquaLink Touch, R-Kit
3	R0497600	Power Booster, Wired, Flush Mount, AquaLink Touch, R-Kit
4	R0497700	Front PCB w/Face Frame, Wired, Flush Mount, AquaLink Touch R-Kit
5	R0593800	AquaLink RS Touch – Firmware Upgrade
6	R0497900	Control Panel Complete, Wireless, AquaLink Touch R-Kit
7	R0498000	Charging Base Complete, Wireless, AquaLink Touch R-Kit
8	R0498100	J-Box Transceiver, Wireless, AquaLink Touch R-Kit
9	R0522600	Bracket w/Screws, Wired Surface Mount, AquaLink Touch R-Kit
10	R0522700	Control Panel Complete, Wired Surface Mount, AquaLink Touch R-Kit
11	R0522800	Screw Kit, AquaLink Touch R-Kit (Wired Units)

Pumps

Filters

Heaters

Heat Pumps

Automation

Water Leveling

Water Sanitizers

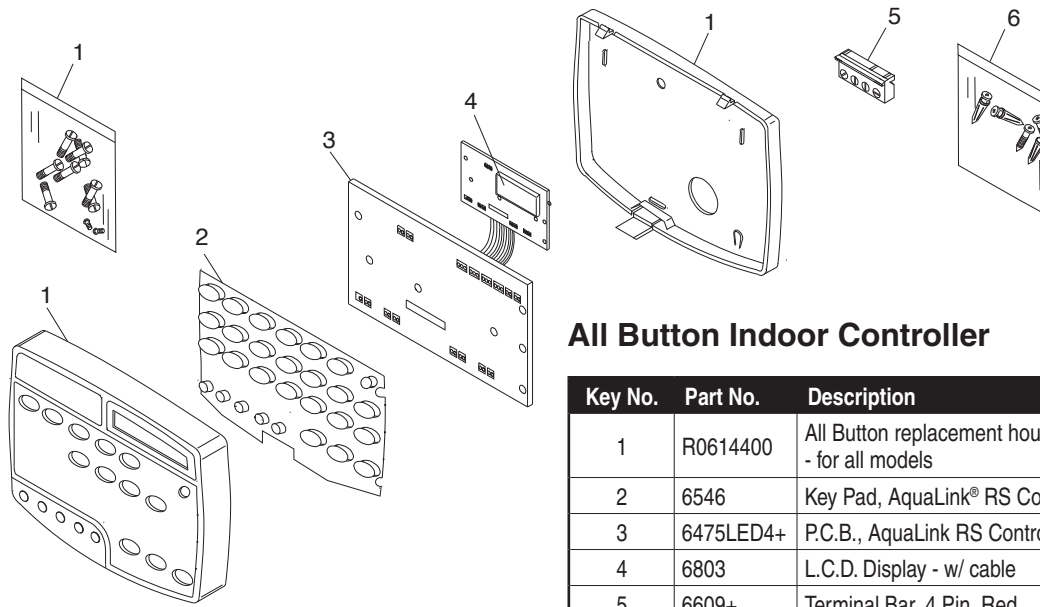
Valves

Water Designs

Lighting

Cleaners

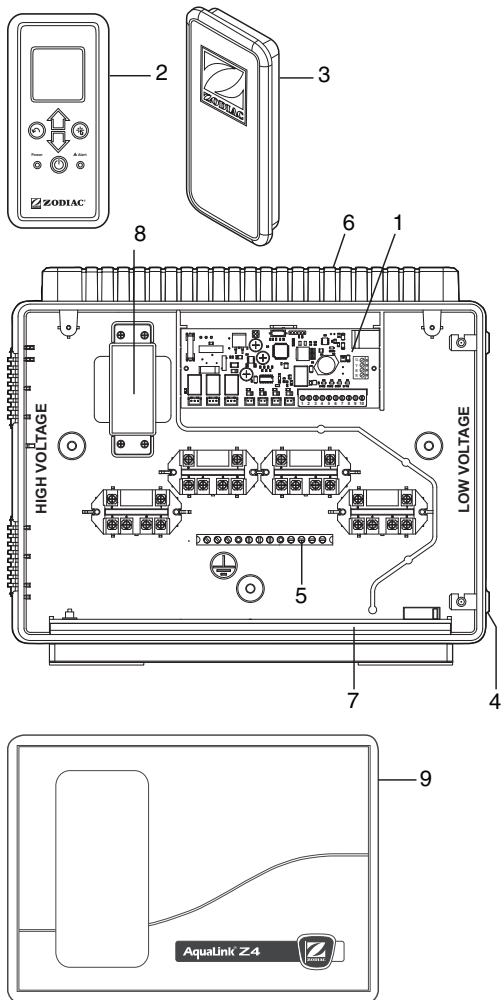
Accessories



All Button Indoor Controller

Key No.	Part No.	Description
1	R0614400	All Button replacement housing kit w/ decals - for all models
2	6546	Key Pad, AquaLink® RS Controller
3	6475LED4+	P.C.B., AquaLink RS Controller
4	6803	L.C.D. Display - w/ cable
5	6609+	Terminal Bar, 4 Pin, Red
6	N/A	Screw Kit, Controller Mount (Not Available Separately) use Kit #6578
N/S	6578	Controller Mounting Kit (including Aux. Decals, Battery, Mounting Screws)
N/S	6781+	Decals, Auxiliary Equipment Labels
N/S	7057	Service Controller, All Button w/ 10 ft. cable and connector

N/S - Not Shown N/A - Not Available DISC-Discontinued



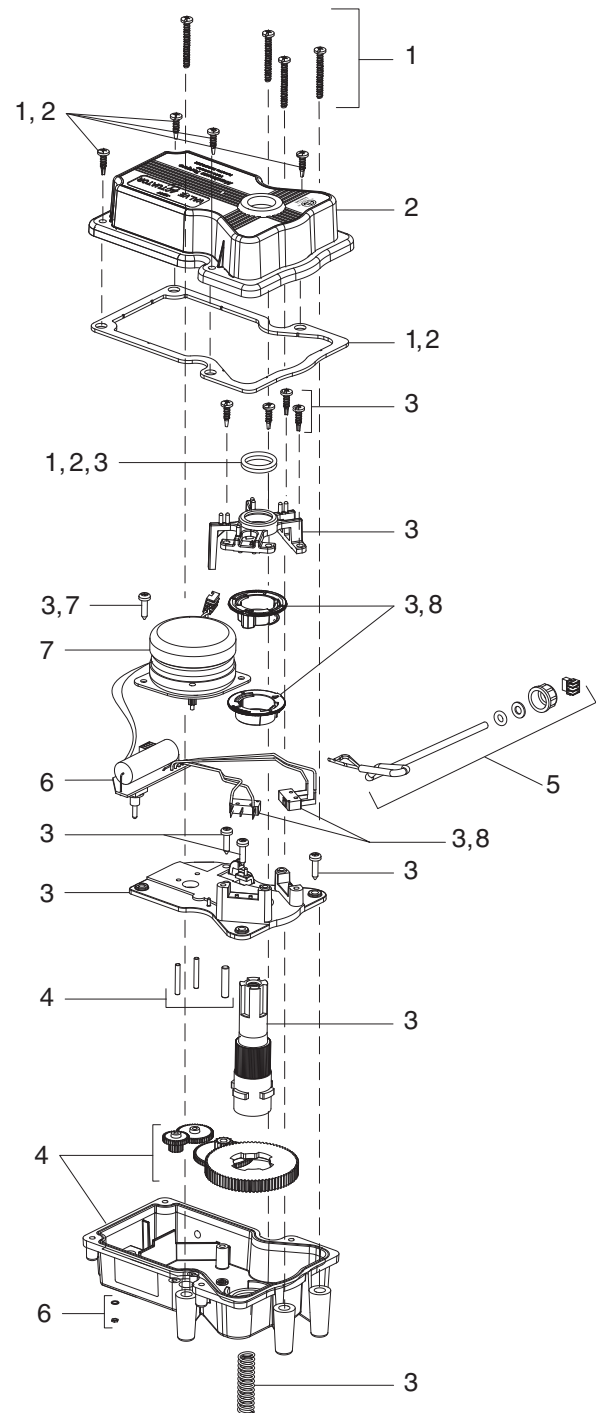
Z4 Replacement Parts

Key No.	Part No.	Description
1	R0568200	PCBA Replacement Kit
2	R0568302	Interface Assembly Kit, Pool/Spa
2	R0568303	Interface Assembly Kit, Pool Only
3	R0568601	Blank Face Plate Kit
4	R0568400	Door Tumbler Kit
N/S	R0568500	Air Temperature Sensor Kit
N/S	7790	Solar Temperature Sensor Kit
5	R0568700	Grounding Bar Kit
6	R0568900	Top Vent Cover Kit
7	R0569000	Conduit Plate Assembly Kit
8	R0569200	110-120VAC Transformer Kit
9	R0569400	Door Assembly Kit

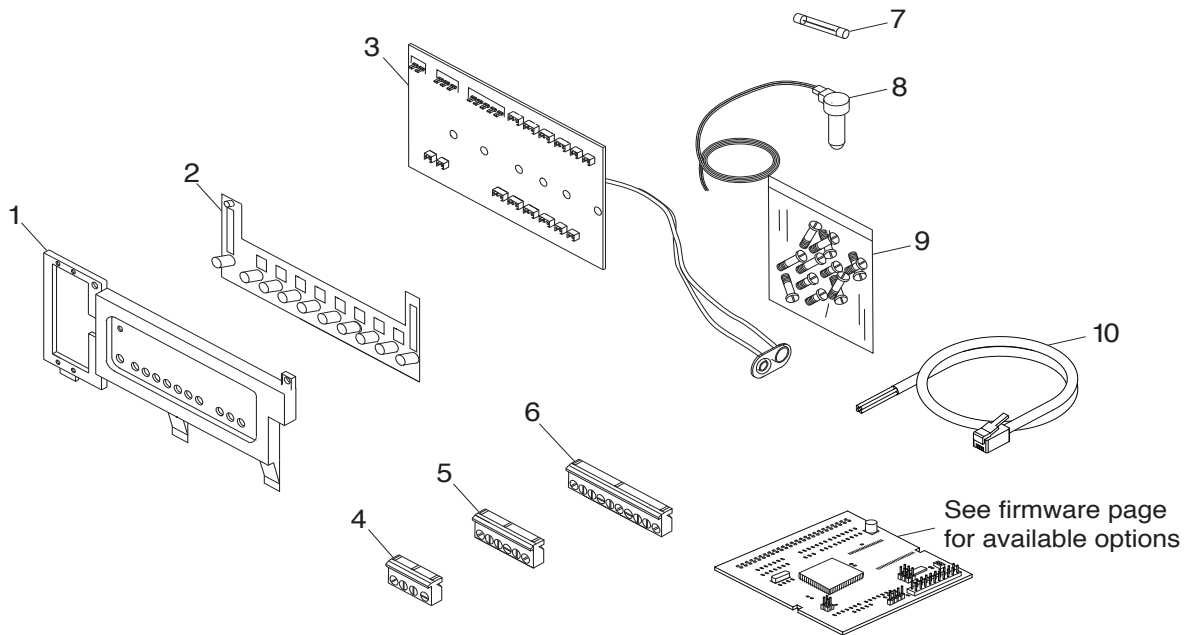
N/S-Not shown

JVA Exploded View and Replacement Kits (2444 Style)

Key No.	Part No.	Description	Qty.
1	R0409600	JVA Gasket and Screw Kit	
		Gasket	1
		O-ring	2
		Screw, #14 x 2"	4
		Screw, #8 x 5/8"	4
2	R0411500	Top Housing Kit	
		Gasket	1
		O-ring	2
		Screw, #8 x 5/8"	4
3	R0408700	Housing, Top	1
		Center Plate Kit	
		O-ring	2
		Screw, #8 x 5/8"	8
		Bridge	1
		Top Cam (Clear)	1
		Bottom Cam (Textured)	1
		Microswitch	2
		Center Plate	1
		Output Shaft, Threaded	1
Spring, JVA	1		
4	R0411600	Gear Kit	
		Primary Gear	1
		Secondary Gear	1
		Large Pinion Gear	1
		Output Gear	1
		Housing, Bottom w/ 3 Pins	1
5	R0411800	Cable Kit, 20'	
		O-ring, Strain Relief	1
		Washer, Strain Relief	1
		Cap, Strain Relief	1
5	R0411900	Power Cord, 20' w/ 3-pin Connector	1
		Cable Kit, 75'	
		O-ring, Strain Relief	1
		Washer, Strain Relief	1
5	R0411900	Cap, Strain Relief	1
		Power Cord, 75' w/ 3-pin Connector	1
		PCB w/ Toggle Switch Kit	
		PCB Sub-Assembly, 24V w/ PCB, w/ Toggle Switch, LockWasher and Nut	1
7	R0408500	Motor Kit	
		Screw, #8 x 5/8" Motor 24V, w/ Wire and Connector	1
8	R0408600	Cam and Microswitch Kit	
		Top Cam (Clear)	1
		Bottom Cam (Textured)	1
		Microswitch	1



Power Center Printed Circuit Board and Bezel Parts - Low Voltage

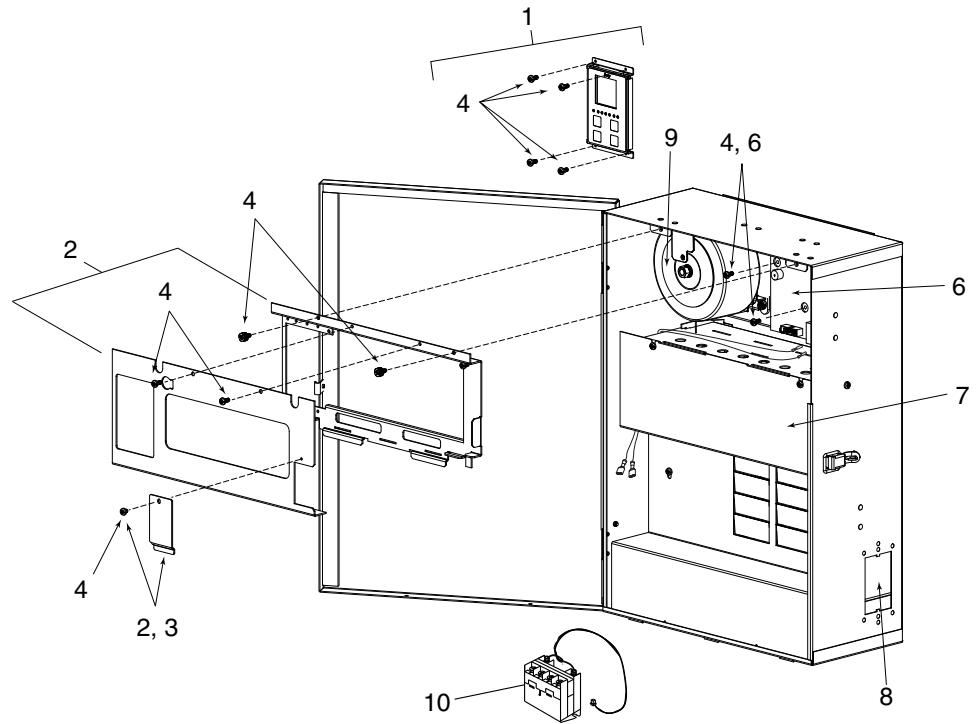


Key No.	Part No.	Description	
1	R0468300	Bezel, Primary Power Center, RS 4, 6, 8, 12, 16, 24, 32 w/ decal (New style)	
1	R0468400	Bezel, Primary Power Center, RS 2/30, 2/22, 2/14, 2/10, 2/6 Dual w/ decal (New style)	
1	7440+	Bezel, Auxiliary Power Center, RS 12, 16, 24, 32, 2/10, 2/14, 2/22, 2/30 w/ decal	
3	R0466700	50 Pin Main Power Center Board	
3	7074+	44 Pin Main Power Center Board	
3	8194	52 Pin Main Power Center Board	
2	6576	Key Pad, RS Power Center	
3	7306+	PCB R-Kit, RS Auxiliary Power Center w/ Micro Controller (for secondary Power Center)	
4	6609+	Terminal Bar, 4-Pin, Red	
5	6547+	Terminal Bar, 6-Pin, Brown	
6	6610+	Terminal Bar, 10-Pin, Green	
7	6658	Fuse, 3.15 Amp (Purchased locally)	USE LOCAL SOURCE
8	7790	Temperature Sensor Kit, Gray (Air/Water/Solar) 15'	
9	6847	Screw Kit, PCB Mounting	
10	R0467100	Wire Harness w/ RJ10 Connector, RS Service Controller	
N/S	6781+	Decal Set, Auxiliary Equipment Labels	
N/S	6586	Dual Heater Interface Board	
N/S	6996	Freeze Protection Kit (for RS 2/6 w/ Solar option)	
N/S	6918	Screw Kit, Bezel to Sheet Metal Power Center	

N/S-Not shown

PureLink™ Power Centers (Small Front Style after 9/09)

Part# 6614AP-L



Sub Panel Enclosure
Part# 6614AP-L

Key No.	Part No.	Description
1	R0467400	PCB User Interface w/ (4) Screws
2	R0562100	Bezel Cover Kit, Small PCB, 6614AP-L Sub Panel
3	R0447300	Battery Door Kit w/ Screw
4	R0467800	Screw Kit, PureLink
5	R0447500	Wiring Harness, PureLink Back PCB to DC Cord
6	R0467600	PCB, Power Interface, Large Back Board, w/ Screws
7	R0562000	Panel, Breaker Dead Front 6614AP-L
8	6070	GFCI Outlet (Optional)
9	R0466400	Transformer, AquaLink® RS, 120V
9	R0481400	Transformer, AquaPure®, 240V
9	6967+	Transformer, AquaLink RS 240V, 50/60 Hz Export

Suggested Circuit Breakers (Available Locally)						
Manufacturer	Single	Double	Twin	Quad	GFCB	Filler Plate
Cutler-Hammer®	BR	BR	BRD	BRD	GFCB	BRFP
Murray®	MP-T	MP-T	MH-T	MH-T	MP-GT	LX100FP
Siemens®	QP	QP	QT	QT	QPF	QF3
Square D®	HOM	HOM	HOMT	HOMT	HOM	HOMFP
Thomas & Betts®	TB	TB	TBBD	TBBQ	GFB	FP-1C-TB

Pumps

Filters

Heaters

Heat Pumps

Automation

Water Leveling

Water Sanitizers

Valves

Water Designs

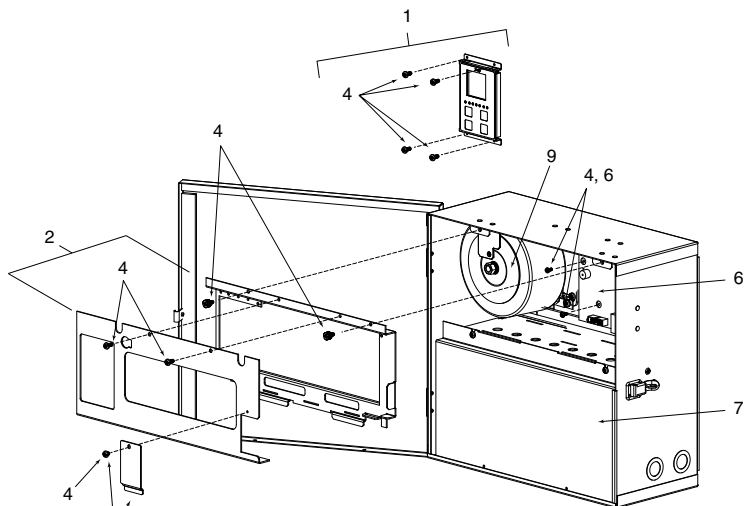
Lighting

Cleaners

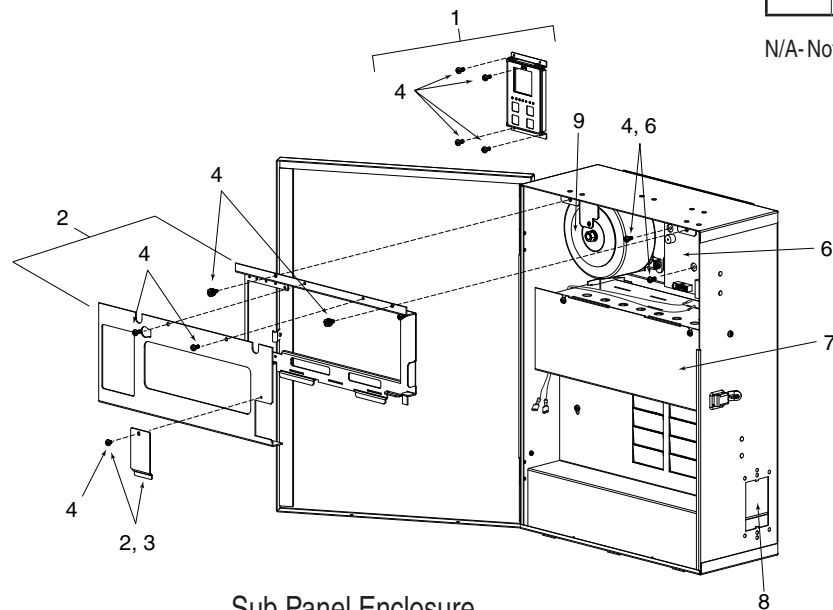
Accessories

PureLink™ Power Centers (Small Front Style PCB after 2/08)

Part# 6613AP and 6614AP



Standard Enclosure
Part# 6613AP, 6613AP
PCB New Style

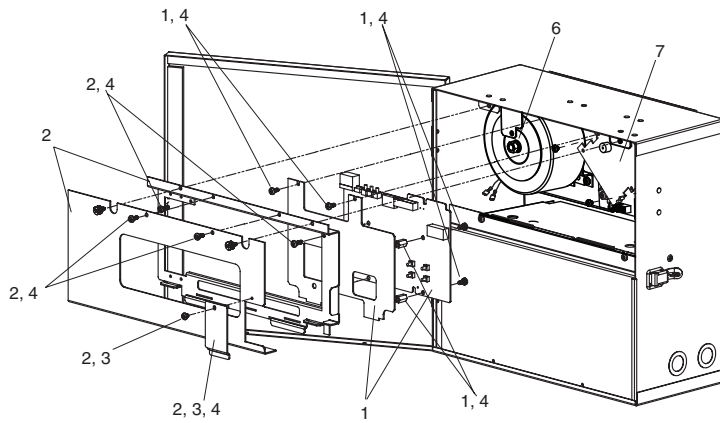


Sub Panel Enclosure
Part# 6614AP
PCB New Style

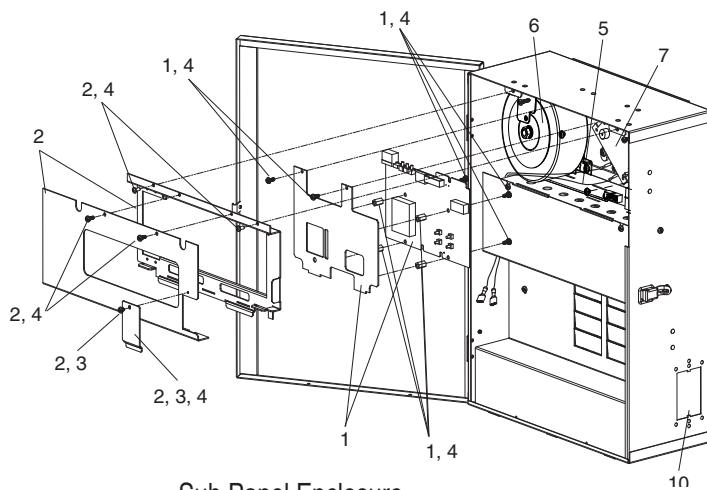
Key No.	Part No.	Description
1	R0467400	PCB User Interface and (4) Screws–Small Front Style
2	R0467700	Bezel Cover Kit–Small Front Style. Includes: Bezel Cover Plate, Support Plate, Battery Cover
3	R0447300	Battery Door Kit, PureLink (for both 700 and 1400). Includes: Battery Door and Screw
4	R0467800	Screw Kit, PureLink, (for both 700 and 1400). Includes: (11) Screws
5	R0447500	Wiring Harness, PureLink Back PCB to DC Cord
6	R0467600	PCB Power Interface, Large Back Board, (2) Screws
7	N/A	Panel, Dead Front Sub Panel
8	6070	GFCI Outlet (Optional)
9	R0481400	Transformer, AquaPure®
9	R0466400	Transformer, AquaLink® RS, 120/24 VAC

N/A- Not Available

PureLink™ Power Centers (Large Front Style PCB prior to 1/08)



Standard Enclosure
Part# 6613AP, 6613AP
PCB Old Style



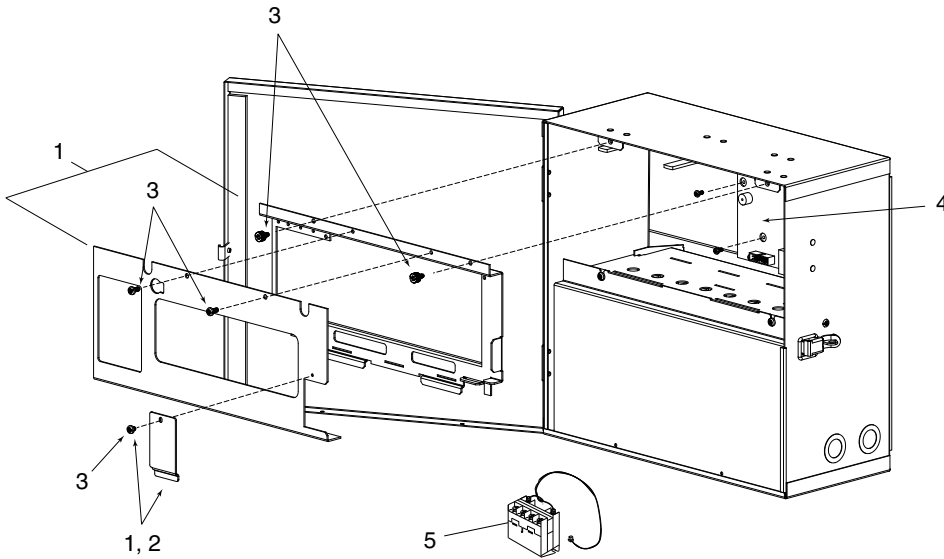
Sub Panel Enclosure
Part# 6614AP, 6614AP
PCB Old Style

Key No.	Part No.	Description
1	R0447100	Front PCB Kit, PureLink (use for both 700 and 1400) (Old Style, prior to 1/08) Includes: Support Plate for Front PCB, (4) Nylon Standoffs and (6) Screws
1	R0403900	Front PCB, PureLink (use for both 700 and 1400) (Old Style, prior to 1/08)
2	R0447200	Bezel Cover Plate Kit, PureLink (for both 700 and 1400) Includes: Bezel Support Plate, Battery Cover and (5) Screws
3	R0447300	Battery Door Kit, PureLink (for both 700 and 1400) (Old Style, prior to 1/08) Screw, Battery Cover
4	R0447400	Screw Kit, PureLink (for both 700 and 1400) (Old Style, prior to 1/08) Includes: (11) Screws and (4) Nylon Stand-offs
5	R0447500	Wiring Harness, PureLink Back PCB to DC Cord
6	R0481400	Transformer, AquaPure®
N/S	R0466400	Transformer, AquaLink® RS, 120/24 VAC
7	R0404000	Back PCB Kit, AquaPure 700 (Old Style, prior to 1/08)
9	R0404100	Back PCB Kit, AquaPure 1400 (Old Style, prior to 1/08)
10	6070	GFCI Outlet (Optional)

N/S - Not Shown

Foundation Power Center

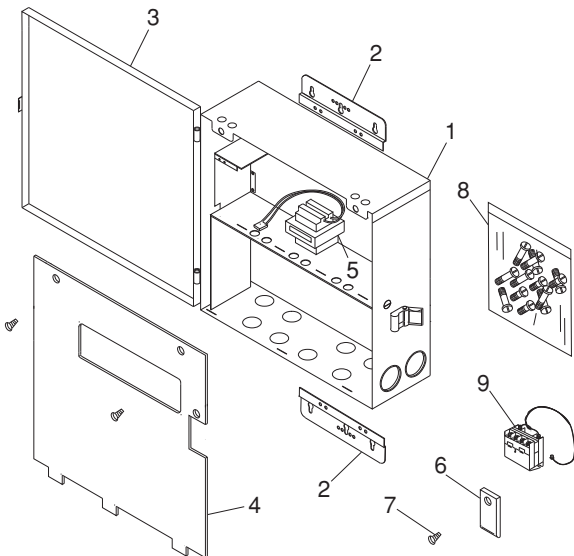
Part# 6612F



Key No.	Part No.	Description
1	R0467700	Bezel Cover Kit
2	R0447300	Battery Door Kit
3	R0467800	Screw Kit
4	R0466400	Transformer, 120V
5	R0658100	3 HP Relay

Power Center - Standard Enclosure

Part# 6613

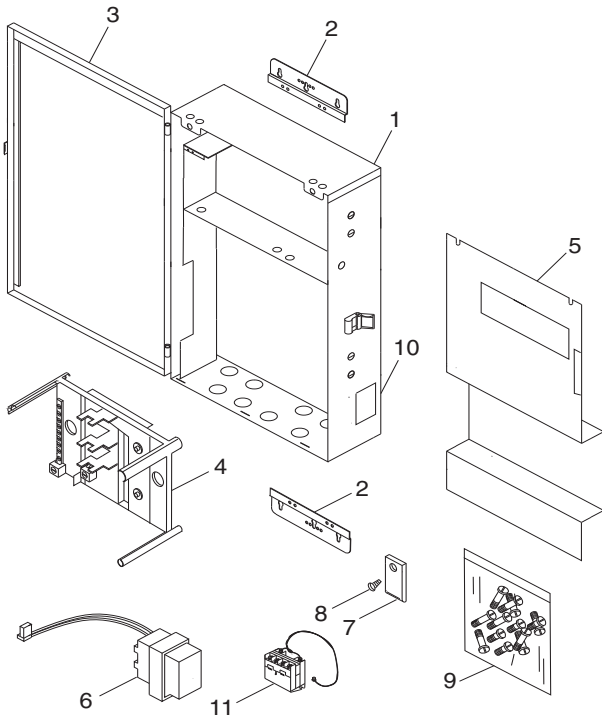


Key No.	Part No.	Description
1	6613	Standard Enclosure, RS Power Center
2	6567	Mounting Brackets, RS Power Center
3	6563+	Door, Standard Enclosure
4	R0466900	Faceplate, Standard Enclosure, Before 1/08 Use #R0466900
4	R0466900	Faceplate, Standard Enclosure, w/ Service Controller Knockout, 10/07 Models or Later
5	R0466400	Transformer, 120V
6	6721	Battery Door
7	6559	Screw, RS Battery Door
8	6918	Screw Set, Bezel/Relay Mount
9	R0658100	3 HP Relay w/ Harness
N/S	6967+	Transformer, 240V, 50/60 Hz Export

N/A-Not Available N/S - Not Shown

Power Center - Sub Panel Enclosure Breaker Mount Plate (Prior to October 1, 2009)

Part# 6614 Discontinued



Key No.	Part No.	Description
1	6614	Sub Panel Power Center, RS
2	6567	Mounting Brackets, Power Center
3	14-LD	Door, Sub Panel Power Center, RS
4	6929+	Breaker Mount Plate, base (Intermatic #124T2087A)
5	6932+	Faceplate, Sub Panel, Before 1/08
5	R0467000	Faceplate Bezel, Sub Panel, w/ Service Controller Knockout, 10/07 Models or Later
6	R0466400	Transformer, 120V
7	6721	Battery Door
8	6559	Screw, Battery Door
9	6918	Screw Set, Bezel/Relay Mount
10	6070	GFCI Outlet (Optional)
11	R0658100	3 HP Relay w/ Harness
N/S	6967+	Transformer, 240V, 50/60 Hz Export

N/A-Not Available N/S- Not Shown

Suggested Circuit Breakers (Available Locally)*

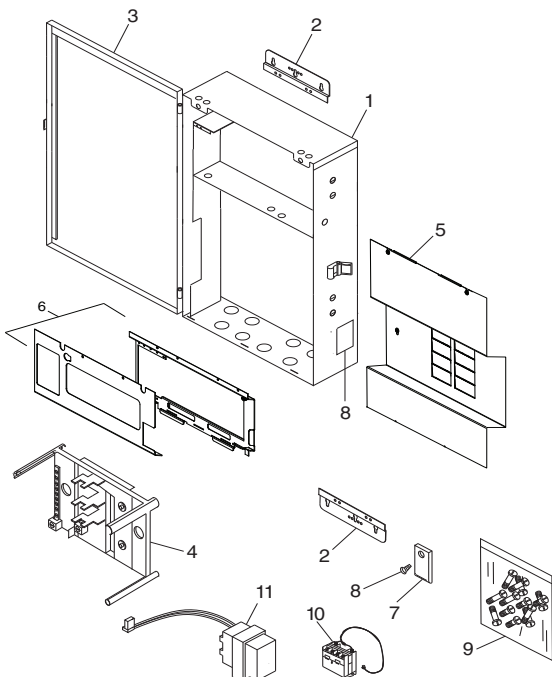
Manufacturer	Single	Double	Twin	Quad	GFCB	Filler Plate
Cutler-Hammer®	BR	BR	BRD	BRD	GFCB	BRFP
Murray®	MP-T	MP-T	MH-T	MH-T	MP-GT	LX100FP
Siemens®	QP	QP	QT	QT	QPF**	QF3
Square D®	HOM	HOM	HOMT	HOMT	HOM	HOMFP
Thomas & Betts®	TB	TB	TBBD	TBBQ	GFB	FP-1C-TB

*This list is a partial list. "Equivalent" UL or ETL listed circuit breakers from other brands are also suitable for this enclosure.

**Recommended for use with variable speed pumps.

Power Center - Sub Panel Enclosure w/ Base Breaker Mount Plate

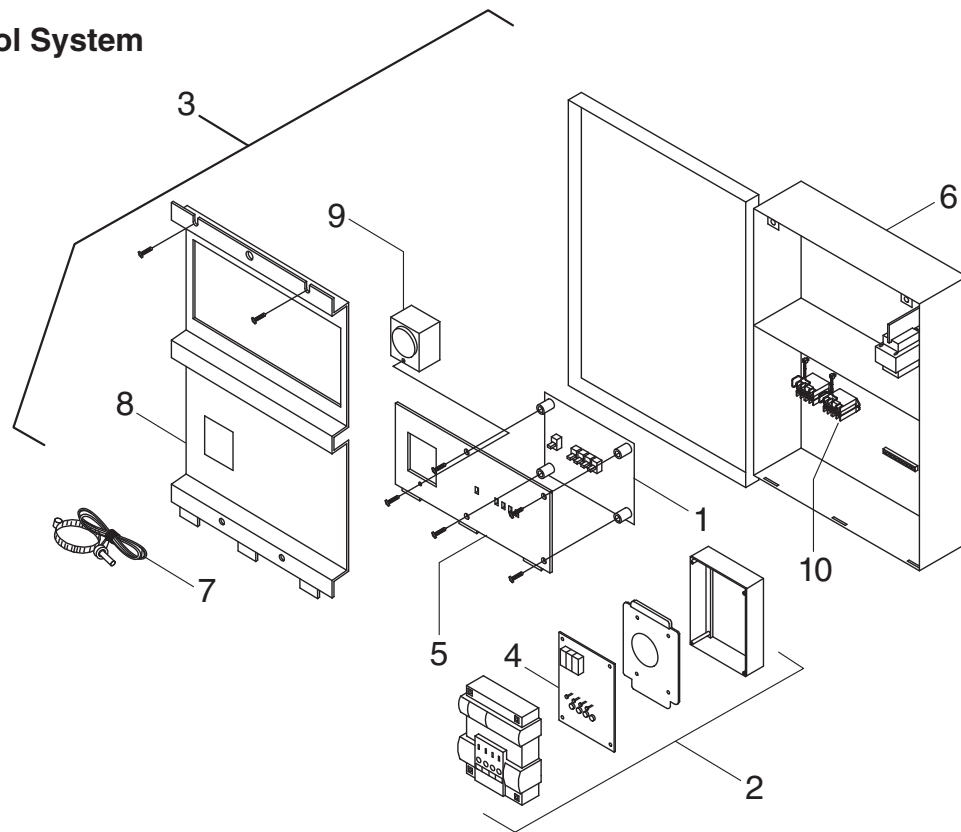
(After October 1, 2009)
Part# 6614-LD



Key No.	Part No.	Description
1	6614-LD	Sub Panel Power Center, RS
2	6567	Mounting Brackets, Power Center
3	R0561800	Door, Sub Panel Power Center, RS
4	R0561900	Breaker Mount Plate, base
5	R0562000	Faceplate Dead Panel, Sub Panel, 12 Breakers
6	R0562100	Faceplate Bezel Panel, Sub Panel w/ Service Knockout
7	R0447300	Battery Door Kit
8	6070	GFCI Outlet (Optional)
8	6559	Screw, Battery Door
9	6918	Screw Set, Bezel/Relay Mount
10	R0658100	3 HP Relay w/ Harness
N/S	6967+	Transformer, 240V, 50/60 Hz, Export
11	R0466400	Transformer, 120V

N/A-Not Available N/S- Not Shown

Ji 2000 Pool/Spa Control System



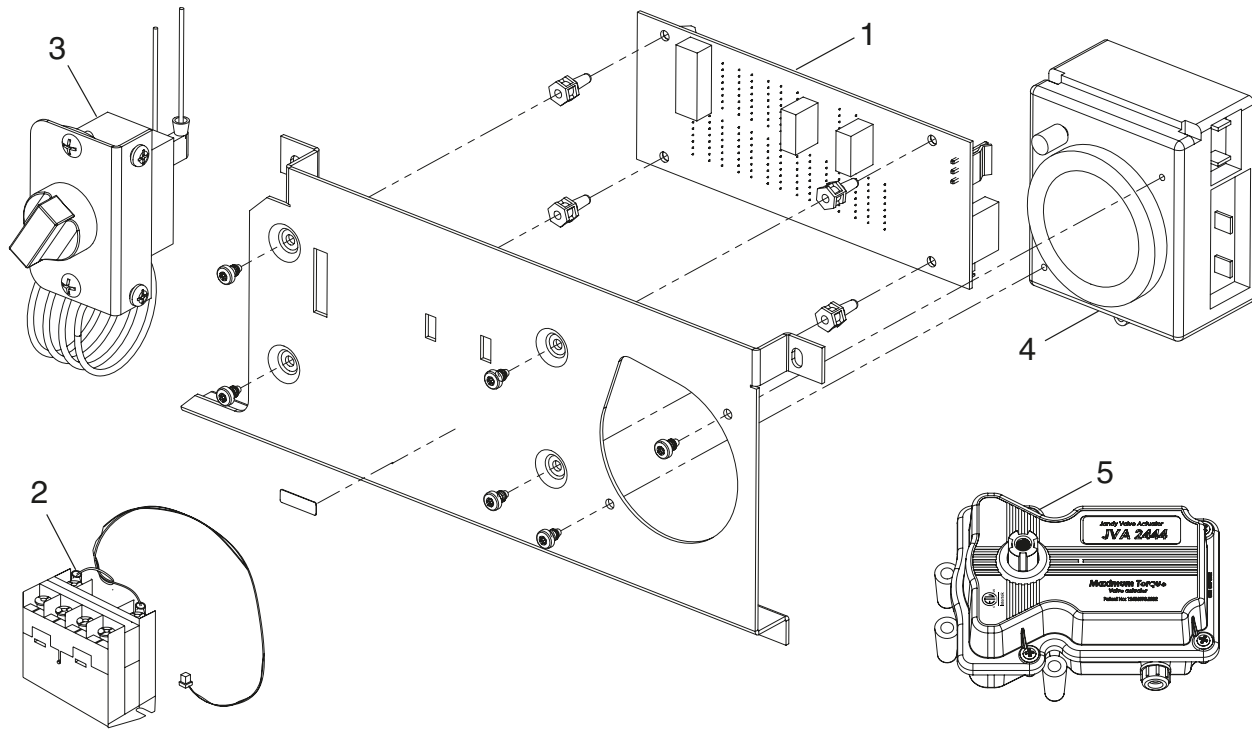
Key No.	Part No.	Description
1	4395+	Power Center PCB
2	4586	Controller, Complete (Not Available)
3	N/A	Power Center, Complete
4	4595	Controller PCB, Complete (Call for Rebuild)
5	5125	Power Center Low Voltage Panel (Not Available)
6	R0466400	Transformer, Complete (For units mfg. 1995 and earlier* use Part# 4347)
7	4019+	Water Sensor (1k), 4 wire
8	4582	Time Clock Hole Plug (Not Available)
9	7152	Time Clock Kit 24 hr (For units mfg. 1995 and earlier* use Part# 4634)
10	R0658100	3 HP Relay (Relay modules for units mfg. 1995 and earlier* use Part# 3652)
10	4757	Two 3 HP Relay on brackets
N/S	5098	Relay Splitter
N/S	3652	2 HP Relay Module (Ji/AquaLink®)
N/S	4347	Transformer Kit, Ji Series
N/S	4634	Time Clock Kit, Ji Series
N/S	1899	9 Pair Cable

N/A-Not Available N/S-Not Shown

*Units that are 1995 and EARLIER have high and low voltage panels and switches arranged in a VERTICAL configuration. Units that are 1995 and LATER have high and low voltage panels and switches arranged in a HORIZONTAL configuration.

Pool Link Dual Timer Module

Part# PLINK



Key No.	Part No.	Description
1	R0450000	PCB, Pool Link
2	R0658100	3 HP Relay Kit
3	R0449900	Freeze Sensor Kit
4	7152	24 Hour Time Clock Kit
5	4424	JVA, 24 VAC (optional)

Pumps

Filters

Heaters

Heat
Pumps

Automation

Water
LevelingWater
Sanitizers

Valves

Water
Designs

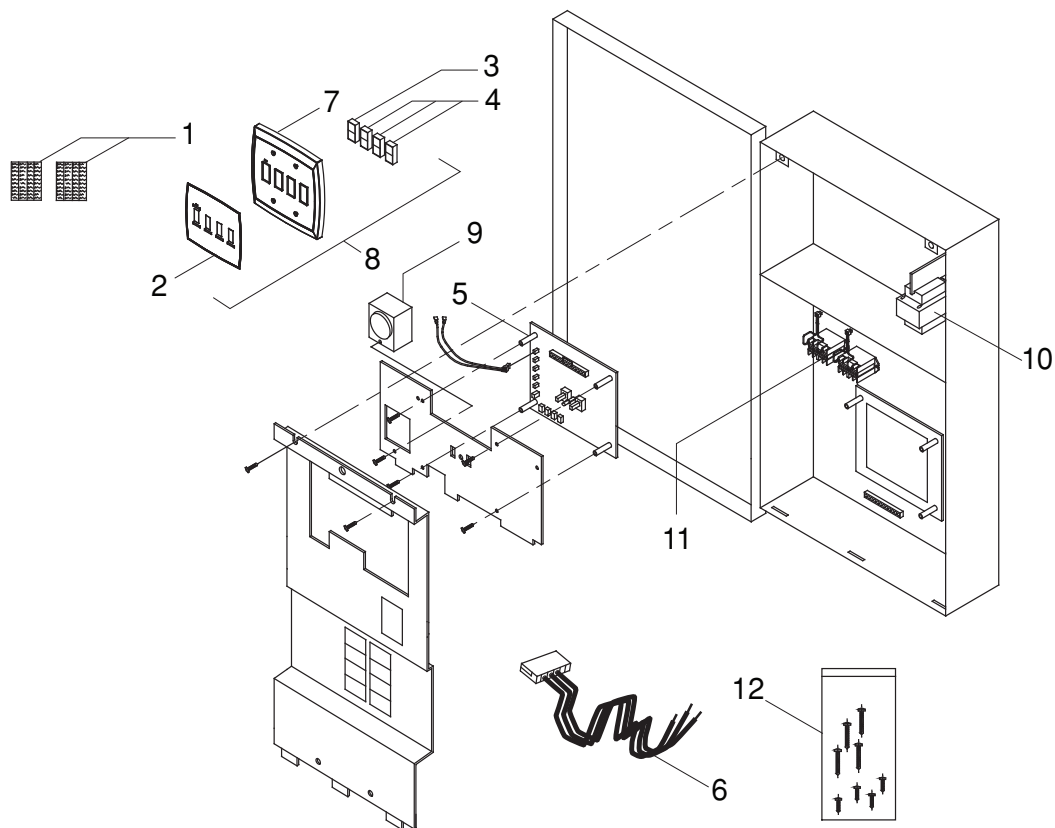
Lighting

Cleaners

Accessories

AquaSwitch™ - Sub Panel Power Center with Breaker Mount Plate (Discontinued)

Part# 7488

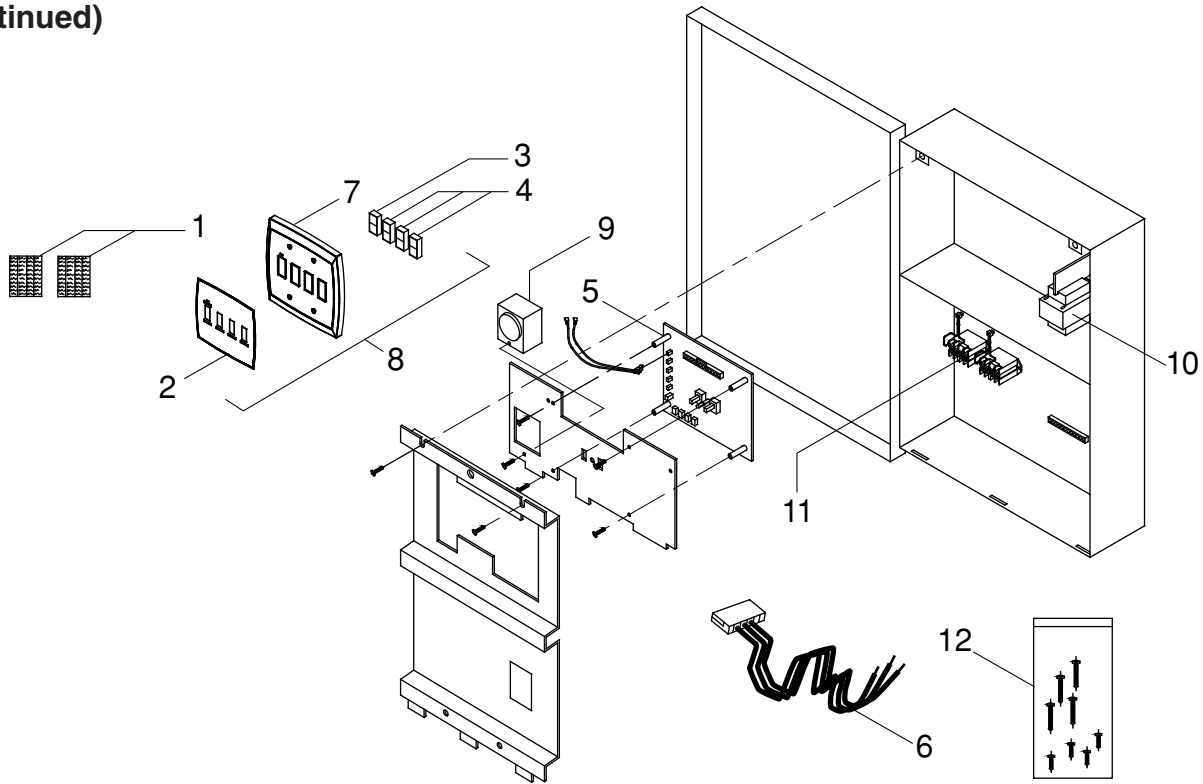


Key No.	Part No.	Description
1	6781+	Custom Decal Set (Includes Lights and General)
2	7312+	Decal AquaSwitch Faceplate
3	7502+	Switch, SPDT Rocker (Double)* Use Part# 7299+
4	7313	Switch, SPST Rocker (Single)* Use Part# 7299+
5	7200	PCB, AquaSwitch Power Center
6	7522	Remote Wiring Harness for Jandy® Lite™ Heater
7	7294	Faceplate, Plastic Housing* Use Part# 7299+
8	7299+	Controller, Complete
9	7152	Time Clock Kit, 24 hr.
10	R0466400	Transformer Kit, 120/24 VAC
11	R0658100	3 HP Relay w/ Harness
12	6918	Screw Kit
N/S	7343+	Cable, 4 pair, 22 gauge, per foot
N/S	7727	AquaSwitch to Jandy LX™/LT™ Heater Wiring Harness

*Not Sold Separately N/A-Not Available N/S- Not Shown

AquaSwitch™ - Standard Power Center (Discontinued)

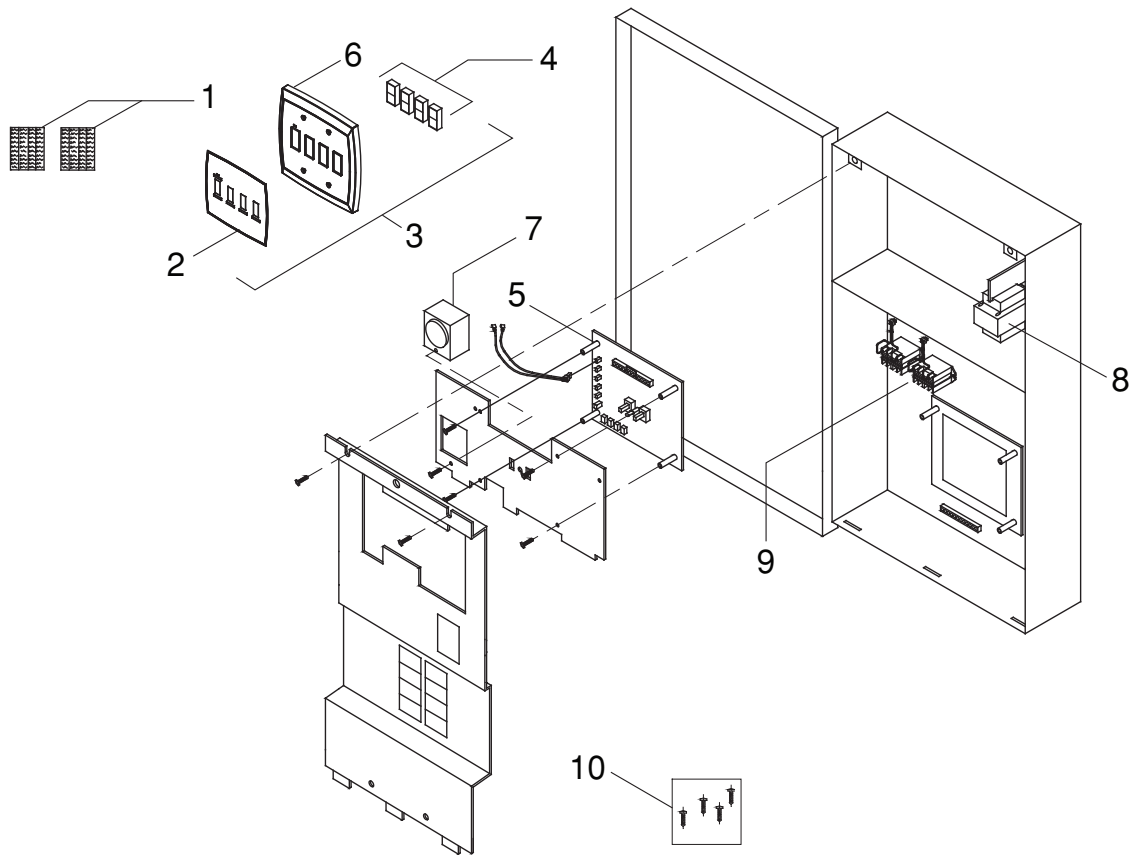
Part# 7300



Key No.	Part No.	Description
1	6781+	Custom Decal Set (Includes Lights and General)
2	7312+	Decal AquaSwitch Faceplate
3	7502+	Switch, SPDT Rocker (Double)* Use Part# 7299+
4	7313	Switch, SPST Rocker (Single)* Use Part# 7299+
5	7200	PCB, AquaSwitch Power Center
6	7522	Remote Wiring Harness for Jandy® Pro Series Lite™ Heater
7	7294	Faceplate, Plastic Housing* Use Part# 7299+
8	7299+	Controller, Complete
9	7152	Time Clock Kit
10	R0466400	Transformer Kit, 120/24 VAC
11	R0658100	3 HP Relay w/ Harness
12	6918	Screw Kit
N/S	7343+	Cable, 4 pair, 22 gauge, per foot
N/S	7727	AquaSwitch to Jandy Pro Series LX™/LT™ Heater Wiring Harness

*Not Sold Separately N/A-Not Available N/S-Not Shown

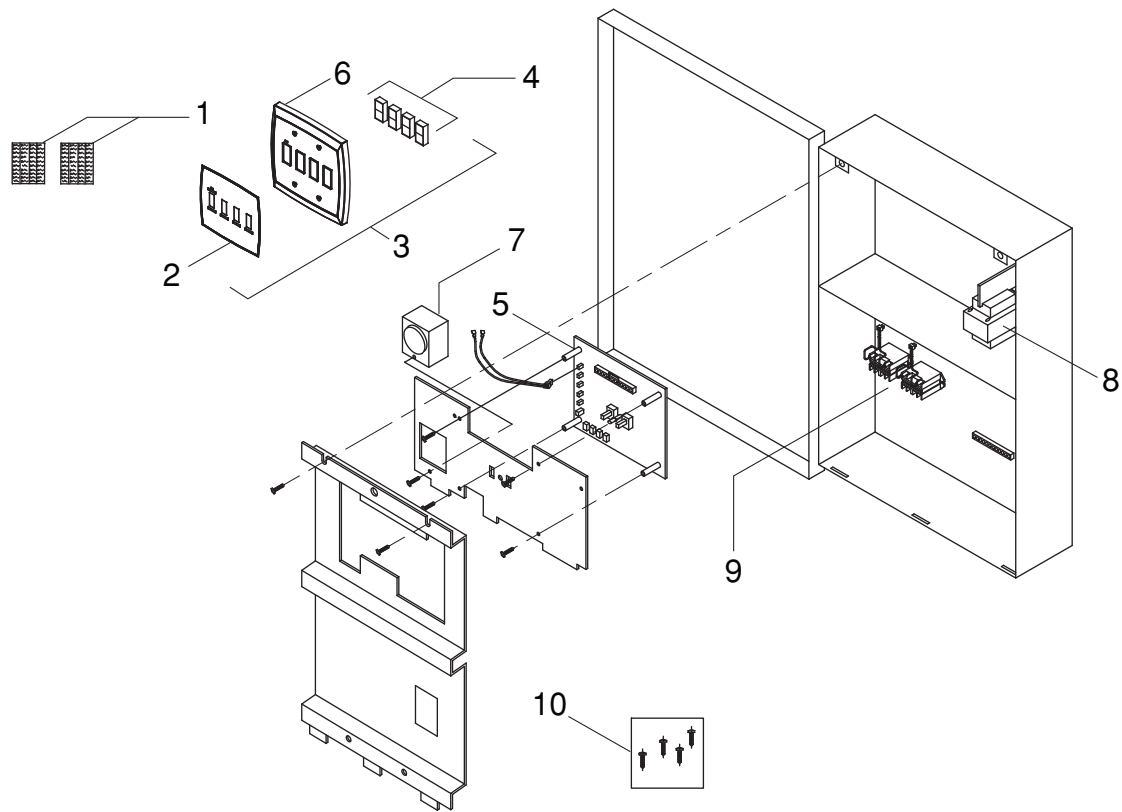
Pool Control - Sub Panel Power Center with Breaker Mount Plate



Key No.	Part No.	Description
1	6781+	Custom Decal Set (Includes Lights and General)
2	7501	Decal, Pool Control Faceplate
3	7502+	Controller, Complete Pool Control
4	7502+	Switch, SPST Rocker (4) (Double)* Use Part# 7502+
5	7200	PCB, Pool Control Power Center
6	7294	Faceplate, Plastic Housing* Use Part# 7502+
7	7152	Time Clock Kit, 24 hr.
8	R0466400	Transformer Kit, 120/24 VAC
9	R0658100	3 HP Relay w/ Harness
10	6918	Screw Kit
N/S	7343+	Cable, 4 pair, 22 gauge, per foot

*Not Sold Separately N/A-Not Available N/S-Not Shown

Pool Control - Standard Power Center



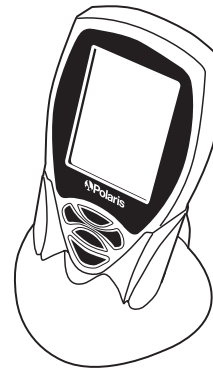
Key No.	Part No.	Description
1	6781+	Custom Decal Set (Includes Lights and General)
2	7501	Decal, Pool Control Faceplate
3	7502+	Controller, Complete Pool Control
4	7502+	Switch, SPST Rocker (4) (Double)* Use Part# 7502+
5	7200	PCB, Pool Control Power Center
6	7294	Faceplate, Plastic Housing* Use Part# 7502+
7	7152	Time Clock Kit, 24 hr.
8	R0466400	Transformer Kit, 120/24 VAC
9	R0658100	3 HP Relay w/ Harness
10	6918	Screw Kit
N/S	7343+	Cable, 4 pair, 22 gauge, per foot

*Not Sold Separately N/A-Not Available N/S-Not Shown

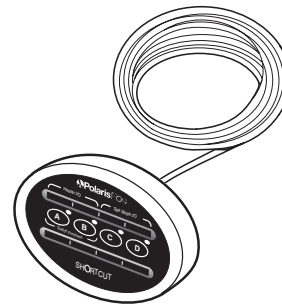
EOS® Parts and Accessories

Part No.	Description
E11	Command Center Board
E12	Activator Board
E20	Wireless Kit (Antenna, Remote and Charging Base)
E21	In-House Panel
E22	Shortcut Remote w/ 125' Cable
E23	Shortcut Remote w/ 250' Cable
E30	Wireless Remote Only
E31	Wireless Charging Base Only
E32	Wireless Antenna Only
E33	Battery, Wireless Remote
E34	Cable, RBC, 250', Superseded by E39
E36	RBC Hub Card
E39	Cable, RBC Cable, 125'
E40	PLC Transmitter Kit
E41	PLC Dimmer Module (lighting only)
E43	PLC Appliance Module
E44	PLC Dimmer Screw-In Lamp Module
E45	PLC Phase Coupler, Plug-In, 3 Wire
E66	Transformer
E68	Fuse, Transformer (4 Amp, 125V)
E69	CPC Extension Kit for E3-E9, per foot
E75	Dimmer Relay
E82	Datalogger PC Access
R0658100	High Power Relay (old part # S30)
6908	Surge Protection Module (old part # S50)
6796	2-Speed Relay (old part # S80)
7790	Temp Sensor, 15' (old part # S20)
7786	Solar Sensor, 50' (old part # S22)
7791	Solar Sensor, 125' (old part # S25)
E37	6-pin Connector
E85	CPC Cable (E11-E12)
E86	12' Cable (E3-E9)
E90	EOS Cable Kit

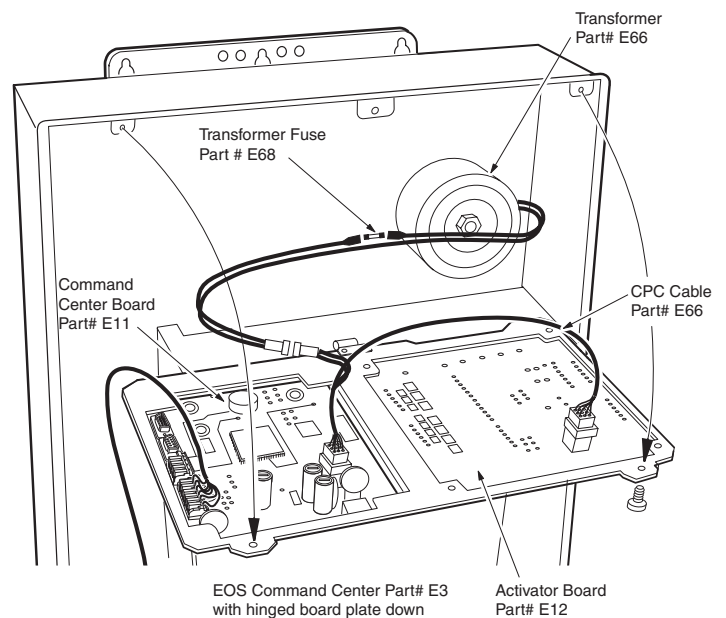
N/A-Not Available



Wireless Remote



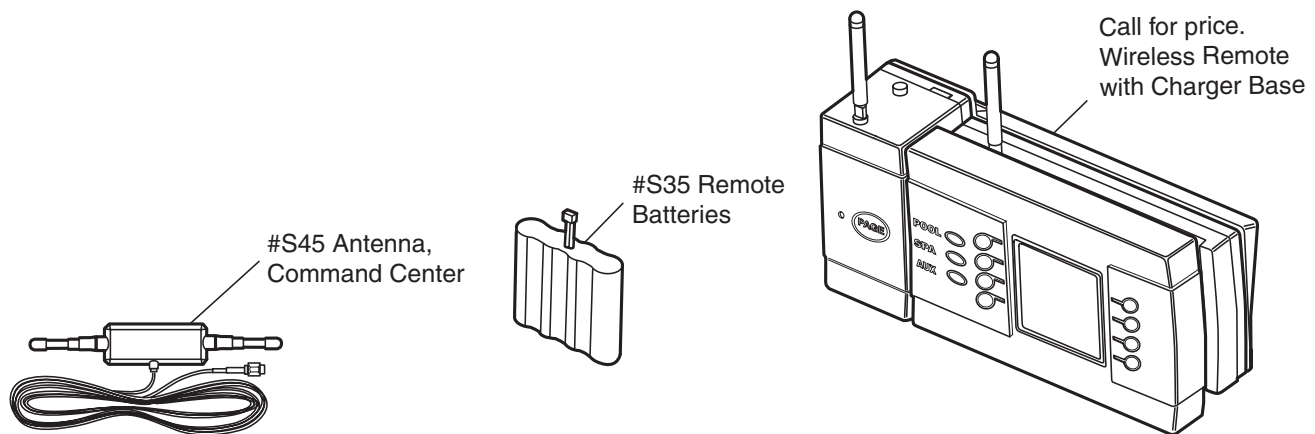
Shortcut Remote #E22



Sol 1000 Replacement Parts

Part No.	Description
S10	Automatic Valve Actuator (Use #4424)
S15	Antenna Extension Cable
7790	Temperature Sensor, 15' Cable (old part # S20)
7786	Solar Temperature Sensor, 50' Cable (old part # S22)
7791	Solar Temperature Sensor, 100' Cable (old part # S25)
R0658100	High Power Relay (old part # S30)
S35 - Limited Stock	Battery w/ O-ring and Gaskets, Remote
S40 - Limited Stock	Battery Cover w/ O-ring, Screws and Gaskets, Remote
S42	Repeater Antenna w/ 100' of cable
S45	Command Center Antenna, 15' Cable
6908	Surge Protection Module (old part # S50)
S55 - Limited Stock	Transformer
S60 - Limited Stock	Command Center Circuit Board
S65 - Limited Stock	Charger Base
S66	Wireless Remote
S75 - Limited Stock	Command Center Battery, CR2025
6796	2-Speed Pump Relay (old part # S80)
S90 - Limited Stock	Fuse 2.5 AMP+C1139
S95 - Limited Stock	Screw, S60 Install

N/A-Not Available





AquaLink RS OneTouch Outdoor Enclosure

Outdoor Enclosure/AquaLink® RS OneTouch™ Control Panel Ⓡ

- Weatherproof enclosure with a see-through cover and easy access for installation of the AquaLink RS control panel outdoors
- 6¼" L x 6¼" W x 3½" H

Part No.	Description
8026	Outdoor Enclosure - AquaLink RS OneTouch Panel



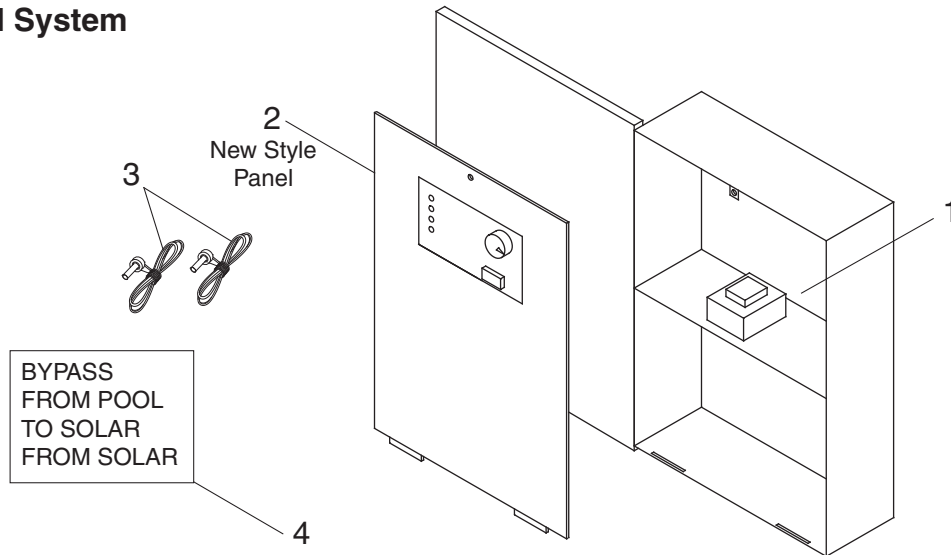
AquaLink RS All Button Outdoor Enclosure

Outdoor Enclosure/AquaLink RS All Button Control Panel Ⓡ

- Weatherproof enclosure with a see-through cover and easy access for installation of the AquaLink RS Control Panel outdoors
- 10⅓" L x 7⅓" W x 3½" H

Part No.	Description
7341	AquaLink RS All Button Outdoor Enclosure (While supplies last)

Solar Control System



Key No.	Part No.	Description
1	7517	Transformer Kit, 20VAC
2	7724	PCB, Solar Repair Kit w/ Panel, Knob and Decal (New Style, Top Screw)
3	7790	Water and Solar Temperature Sensors, Gray, 15 ft.
4	7547	Decal, Solar Bypass

**THEY BUILT THE
GOLDEN GATE
BRIDGE WITH IT.**

**WE BUILD POOL
COVERS WITH IT.**

Cover-Pools is offering automatic pool covers with stainless steel cable – the same high strength cable used to build suspension bridges. It is more durable than rope – never stretching, breaking or gaining slack. And backed by a seven year warranty, this steel cable is built to last. That means never having to fix misaligned pool cover ropes again. Less adjustments saves you time and money. So stop wasting your time making service calls and start using Cover-Pools' steel cable system. For more information call us today 800-447-2838.

www.coverpools.com/steelcable

COVER  POOLS®



WATER LEVELING



Levolor® Water Leveling

203

Water Leveling Parts

206

Levolor Electronic Water Level Management Systems

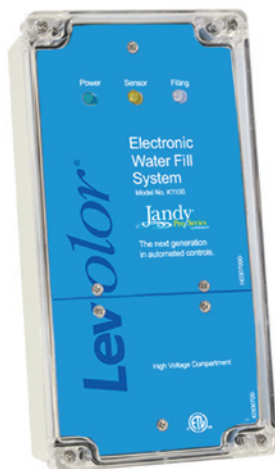
Electronically controlled device that detects low water conditions and automatically replaces the water to a pre-determined level.

Features:

- No moving parts
- No extra in-deck canisters or under-deck pressurized fill lines
- Waterproof enclosure and suitable for mechanical room environment
- Ideal for pool and spa systems with water features where evaporation and splash out is common
- Easily installed on new or existing pool and spa equipment systems with no modifications needed to the pool surface or structure
- Time-out sequence guarantees against overfilling and hiding leaks
- ETL® listed

Levolor Selection Chart

Model	Description	Features				Installation							Application	
		# bodies of water	max # of solenoid valves	Sensors included	Pump switch & operation	Sensor in static pipe	Sensor behind weir door	Sensor in skimmer throat	Controller mounts on static pipe	Mounts on wall	220 volt (factory set)	110 volt (field selectable)		110 volt (factory set)
K1100 Series	Fill Only - Wall Mount	1	1	1	-	◆	◆	◆		◆	◆	◆		Fill Only. For most pool, spa, & pool/spa applications.
K2000 Series	Fill with High - Level Switch - On	1	1	1	◆ On	◆	◆	◆		◆	◆	◆		For VANISHING EDGE applications. Can turn on pump to fill catch basin & test the water level.
K2100 Series	Fill with Low - Level Cut - Off	1	1	1	◆ Off	◆	◆	◆		◆	◆	◆		For FOUNTAIN applications. Can cut off pump or light operation to protect equipment.
K2300 Series	Fill Only - Dual (separate) Water Bodies	2	2	2	-	◆	◆	◆		◆	◆	◆		For DUAL WATER BODY applications, monitors & fills each body independently.



K1100 Fill Only

K1100 Series: Fill Only

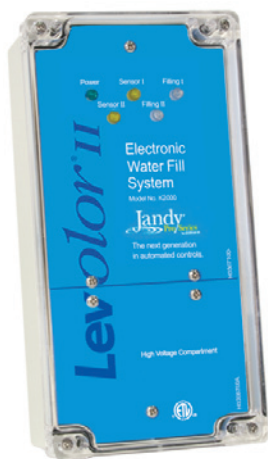
Electronic fill device that detects low water conditions and automatically replaces water to a pre-set level. Can be used in any situation where a consistent water level is desired. Ideal for new or existing pool and spa systems.

Systems Include:

Controller (wall mount), sensors (dual style), and solenoid valve (where noted). Controls are pre-wired for 220V, but field adjustable to 110V.

K1100: Fill Only - 110/220v

Part No.	Sensor Lead	Sensor Style*	Valve
K1100A	50 ft.	Dual style	Not Included
K1100C	100 ft.	Dual style	Not Included
K1100G	200 ft.	Dual style	Not Included
K1100CKA	50 ft.	Dual style	1" valve
K1100CKC	100 ft.	Dual style	1" valve
K1100CKG	200 ft.	Dual style	1" valve
K1100CKK	300 ft.	Dual style	1" valve



K2000 Fill with High Level Switch

K2000 Series: Fill with High Level Switch

Electronic fill device used where a consistent water level is desired and a high level setting is detected. Ideal for vanishing edge and perimeter overflow pools or fountains. This model will automatically turn on the vanishing edge pump and fill the catch basin to test water level.

Systems Include:

Controller (wall mount), sensor (slip-18 style), and solenoid valve (where noted). Requires a relay (24VDC) suitable for operating a pump (ordered separately). Controls are pre-wired for 220V, but field selectable to 110V.

K2000: Fill w/ High Water Level Switch-On (24v relay required) - 110/220v

Part No.	Sensor Lead	Sensor Style*	Valve
K2000CKA	50 ft.	Slip - 18"	1" valve
K2000CKC	100 ft.	Slip - 18"	1" valve
K2000CKG	200 ft.	Slip - 18"	1" valve

*Sensor Styles

Slip style sensors are for use in a static pipe/standpipe application. Glue into a 1" PVC pipe with water height set by how much sensor tip is allowed to penetrate the depth of the pipe.

Dual style sensors come equipped with two sensor styles, a slip sensor on one end, and a half-moon sensor on the other end. The half-moon sensor is designed to fit the inside curvature of a skimmer.

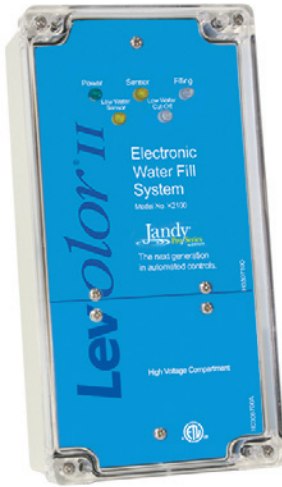
K2100 Series: Fill with Low Level Cut-off

Electronic fill device that detects low water conditions and turns off a pump or light to protect equipment until optimum water levels are met. Can be used in any situation where a consistent water level is desired and a low level situation can be detected and acted upon. Ideal for fountains and ponds.

Systems Include:

Controller (wall mount), sensor (slip-3 style), and solenoid valve. Controls are pre-wired for 220V, but field selectable to 110V.

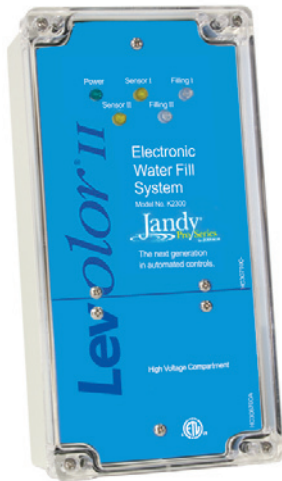
Requires a relay (24VDC) suitable for operating the pump and/or underwater lights (ordered separately).



K2100 Fill with Low Level Cut-off

K2100: Fill w/ Low-Level Cut-off (24v relay required) - 110/220v

Part No.	Sensor Lead	Sensor Style*	Valve
K2100CKA	50 ft.	Slip - 3"	1" valve
K2100CKC	100 ft.	Slip - 3"	1" valve



K2300 Dual Fill

K2300 Series: Dual Fill

Electronic fill device that maintains water levels in two bodies of water, such as a pool/spa with two separate sets of equipment. Can be used in any situation where a consistent water level is desired and acted upon. Ideal for pool and spa dual equipment systems.

Systems Include:

Controller (wall mount), two sensors (dual style), and two solenoid valves (where noted). Controls are pre-wired for 220V, but field selectable to 110V.

K2300: Fill Dual Body - 110/220v

Part No.	Sensor Lead	Sensor Style*	Valves
K2300CKA	50 ft.	(2) Dual style	(2) 1" valves
K2300CKC	100 ft.	(2) Dual style	(2) 1" valves
K2300CKG	200 ft.	(2) Dual style	(2) 1" valves

Levolor® Replacement Parts

Part No.	Description		
PCB R-KITS			
K2000220BDT	PCB w/ Transformer, K-2000 220V		
K2000PCBw/oTRANS	PCB w/o Transformer, K-2000		
K2000110Control - N/A	Controller Only, K-2000 110V	Use K2000220Control	
K2000220Control	Controller Only, K-2000 220V		
K2000110BDT - N/A	PCB w/ Transformer, K-2000 110V	Use K2000220BDT	
K2100110Control	Controller Only, K-2100 110V		
K2100220Control	Controller Only, K-2100 220V		
K2100110BDT - N/A	PCB w/ Transformer, K-2100 110V	Use K2100220BDT	
K2100220BDT	PCB w/ Transformer, K-2100 220V		
K2300110 Control - N/A	Controller Only, K-2300 110V	Use K2300220Control	
K2300220Control	Controller Only, K-2300 220V		
K2300110BDT - N/A	PCB w/ Transformer, K-2300 110V	Use K2300220BDT	
K2300220BDT	PCB w/ Transformer, K-2300 220V		
LEVBRD (timeout)	Levolor PCB w/ time-out system		
LEV110 Control - N/A	Controller Only, Lev-120V	Use LEV220Control	
LEV110BD w/Trans - N/A	PCB w/ Transformer, Lev-110V	Use LEV220BD w/ Trans	
LEV220Control	Controller Only, Lev-220V		
LEV220BDw/TRANS	PCB w/ Transformer, Lev-220V		
LX2Board	PCB Only, LX2		

SENSOR R-KITS			
S2040A	Slip Style 2 Contact Sensor w/ 50 ft. (static pipe install)		
S2040C	Slip Style 2 Contact Sensor w/ 100 ft. (static pipe install)		
S2040G	Slip Style 2 Contact Sensor w/ 200 ft. (static pipe install)		
S2040K	Slip Style 2 Contact Sensor w/ 300 ft. (static pipe install)		
S2042A	Threaded Style 2 Contact w/ 50 ft. (static pipe install)		
S2042C	Threaded Style 2 Contact w/ 100 ft. (static pipe install)		
S2042G	Threaded Style 2 Contact w/ 200 ft. (static pipe install)		
S2042A30	Threaded Style 2 Contact w/ 50 ft. - Sensor 30" (static pipe install)		
S2044	Half Moon Style 2 Contact w/ no wire (skimmer install)		
S2044A	Half Moon Style 2 Contact w/ 50 ft. (skimmer install)		
S2044C	Half Moon Style 2 Contact w/ 100 ft. (skimmer install)		
S2044C4	Half Moon Style 2 Contact w/ 100 ft. - Sensor 4" (skimmer install)		
S2044G	Half Moon Style 2 Contact w/ 200 ft. (skimmer install)		
S2044K	Half Moon Style 2 Contact w/ 300 ft. (skimmer install)		
S2046A	Dual Style Sensor w/ 50 ft. (skimmer or static pipe install)		
S2046C	Dual Style Sensor w/ 100 ft. (skimmer or static pipe install)		
S2046G	Dual Style Sensor w/ 200 ft. (skimmer or static pipe install)		
S2046K	Dual Style Sensor w/ 300 ft. (skimmer or static pipe install)		
S3040A18	Slip Style 3 Contact - 18" Sensor 50 ft. (static pipe install)		
S3040C18	Slip Style 3 Contact - 18" Sensor 100 ft. (static pipe install)		

N/A-Not Available

Levolor® Replacement Parts

Part No.	Description
SENSOR R-KITS (CONTINUED)	
S3040G18	Slip Style 3 Contact - 18" Sensor 200 ft. (static pipe install)
S3040K18	Slip Style 3 Contact - 18" Sensor 300 ft. (static pipe install)
S3040A30	Slip Style 3 Contact - 30" Sensor 50 ft. (static pipe install)
S3040C30	Slip Style 3 Contact - 30" Sensor 100 ft. (static pipe install)
S3040G30	Slip Style 3 Contact - 30" Sensor 200 ft. (static pipe install)
S3040K30	Slip Style 3 Contact - 30" Sensor 300 ft. (static pipe install)
S3040A3	Slip Style 3 Contact - 3" Sensor 50 ft. (static pipe install)
S3040C3	Slip Style 3 Contact - 3" Sensor 100 ft. (static pipe install)
S3040K3	Slip Style 3 Contact - 3" Sensor 300 ft. (stand pipe install)
S3042C	Threaded Style 3 Contact w/ 100 ft. (static pipe install)
S3044C18	Half Moon Style 3 Contact - 18" Sensor w/ 100 ft. (skimmer install)
S3044G18	Half Moon Style 3 Contact - 18" Sensor w/ 200 ft. (skimmer install)
S3044C30	Half Moon Style 3 Contact - 30" Sensor w/ 100 ft. (skimmer install)
S3044G30	Half Moon Style 3 Contact - 30" Sensor w/ 200 ft. (skimmer install)
S3044C3	Half Moon Style 3 Contact - 3" Sensor w/ 100 ft. (skimmer install)
S3044G3	Half Moon Style 3 Contact - 3" Sensor w/ 200 ft. (skimmer install)
11110601	Remote Sensor Cover & Lower Housing Assembly

MISC. R-KITS	
SOL100	1" Plastic Valve, 24V Solenoid w/ Flow Control
SOL100B	1" Brass Coil Valve, 24V Solenoid w/ Flow Control
SOL150	1.5" Plastic Valve, 24V Solenoid w/ Flow Control
SOL150B	1.5" Brass Coil Valve, 24V Solenoid w/ Flow Control
SOL200	2" Plastic Valve, 24V Solenoid w/ Flow Control
SOL200B	2" Brass (Globe) A/E NPT, 24V
SOL300B	3" Brass Coil Valve, 24V Solenoid w/ Flow Control (Commercial)
SOL110VOLT	110V Solenoid
A41T110	A41-25-24-110 A41 Transformer-110V
A41T220	A41-25-24-220 A41 Transformer-220V
SOLASSEM	Solenoid Assembly (12024 gray valve)
DIAPH	Diaphragm for gray valve
110SOL	Solenoid Assembly, 110V (for commercial use)
BRY	1" Y Strainer
BRY2	2" Y Strainer
Trans110A412524 - N/A	Class 2 - 24V Transformer 110V (Part # A41T110)
Trans220A412524 - N/A	Class 2 - 24V Transformer 220V (Part # A41T220)
Trans110CL2 - N/A	Transformer 110V CL2-25 (Part # A41T110)
Trans220CL2 - N/A	Lev220V Transformer CL2-25-24 (Part # A41T220)



WATER SANITIZERS



Salt Water Chlorination	211
Ozone Generation	213
Mineral Sanitizers for Pools	214
Mineral Sanitizers for Spas	217
Water Sanitizer Parts	219

New!



TruClear Salt System

TruClear™ Salt System

The TruClear Salt System delivers simple, reliable saltwater chlorination and is designed for easy installation, use and service, TruClear features a transparent window for easy viewing of blade calcification, a compact design for easy integration in most equipment pad configurations, and removable cell with attached cord for quicker cleaning.

Features:

- Designed for professionals
- Constructed of durable Jandy® Valve CPVC material
- Union version available for retrofit applications
- Auto-reversing polarity to help reduce calcium buildup
- 240V hard-wired and self-contained design

Part No.	Description
TruClear11K	For pools up to 35,000 gal., 2-Port Cell
TruClear11KU	For pools up to 35,000 gal., 2-2½ Universal Unions, 2-Port Cell



Nature2 Fusion Soft

Nature2® Fusion Soft

Get the total mineral solution with Nature2 Fusion Soft, a robust saltwater chlorinator that combines the proven benefits of Nature2 for the ultimate swimming experience. Nature2 is the perfect supplement for salt systems. It helps maintain pH levels for the best water quality, while reducing wear and tear on the salt cell.

- Dependable, proven AquaPure® cell technology
- Easy access to cell and mineral cartridge
- Engineered to commercial standards
- For inground pools up to 40,000 gallons
- Power pack and cell kit sold separately

Part No.	Description
Nature2 Fusion Soft Power Pack	
FUSIONM	Power pack for Fusion Soft kits 120V/240V
Nature2 Fusion Soft Cell Kits	
FSOFT700	Cell and Nature2 vessel kit for up to 12,000 gallons
FSOFT1400	Cell and Nature2 vessel kit for up to 40,000 gallons
Requires DuoClear® cartridges, sold separately	



AquaPure Chlorine Generator



AquaPure Power Pack

AquaPure® Electronic Salt Water Chlorine Generator

Our heavy-duty, electronic sanitizing system that uses ordinary salt to produce chlorine for pools. AquaPure power packs and cells are sold separately.

AquaPure Power Pack

Features:

- Field adaptable to power all PureLink and ClorMatic® cell kits
- 120V or 240V electrical connections
- LCD monitoring of chlorine production, cell modes, salinity, water temperature, water flow and diagnostics
- Precision output adjustments

Part No.	Description
AquaPure Power Pack	
APUREM	AquaPure power pack for PureLink™ cell kits

Note: Use with cell kits listed on the next page to make a complete system.

PureLink™ Cell Kit

Features:

- 3-Port cell has 90° plumbing flexibility, durable housing, sensor integrated into third port and larger unions for easy installation
- Solid titanium plates manufactured with multiple coatings of precious metals to provide efficient chlorine production and enhanced cell life
- Automatic reversing cycle helps keep the cell free from calcium buildup

Part No.	Description
PureLink Cell Kits	
PLC700	For pools up to 12,000 gal., 16' Cables, 2–2½" Universal Unions, 3-Port Cell
PLC1400	For pools up to 40,000 gal., 16' Cables, 2–2½" Universal Unions, 3-Port Cell

Note: PureLink Cell Kit must be used with AquaPure power pack (above) or PureLink power centers, sold separately.

Works with AquaPure® Power Pack or PureLink Power Centers!



PureLink Cell Kit

New!



CD100 CD70 CD40

Jandy Pro Series Ozone Generators



CDIM



CDMDV

Jandy® Pro Series Ozone Generators

Our new Jandy Pro Series Ozone system delivers the high-output and energy efficiency of a true corona discharge ozone generator in a simple-to-install, extremely reliable system. Supplements existing chlorine feeders, mineral sanitizers, and salt water systems for the cleanest, clearest water possible. Available in three sizes with two installation kit options. One generator and one installation kit (either CDIM or CDMDV) is required. CDMDV features a clear tube where water and ozone are mixed before delivery into the water.

Features:

- Easy to install and simple to operate.
- The corona discharge module is designed to be impervious to moisture and acids.
- Engineered for high output and long life with low energy costs.
- Quickly oxidizes organic contaminants.
- Fully compatible with the Nature²® line of EPA-registered mineral sanitizers.

Part No.	Description
CD40	Jandy Pro Series Ozone, For pools up to 40,000 gallons
CD70	Jandy Pro Series Ozone, For pools up to 70,000 gallons
CD100	Jandy Pro Series Ozone, For pools up to 100,000 gallons
CDIM	Jandy Pro Series Ozone, Injector Manifold Kit
CDMDV	Jandy Pro Series Ozone, Mixing Degas Vessel Kit

Chlorine Tabs + Nature² Mineral Sanitizer



Nature² Fusion

Nature²® Fusion Inground

Nature² Fusion Inground is a robust and convenient chlorine and mineral sanitizing system. This easy-to-use solution integrates a trichlor tablet feeder and Nature² minerals into one convenient delivery system. Easy to install and use.

- Holds up to eight 3" trichlor tabs
- Utilizes standard 2" x 2½" universal unions
- Engineered to commercial standards
- For inground pools up to 45,000 gallons

Part No.	Description
FUSION	Inground chlorine tablet feeder + Nature ²

Requires DuoClear® cartridges, sold separately



Nature² Express

Nature² Express

Nature² Express is a simple mineral dispensing system for inground or aboveground pools that automatically releases the right amount of Nature² minerals for a cleaner, clearer swimming experience. The system includes the vessel and mineral cartridge.

- Installs easily on existing pools with no extra parts or system upgrades
- Effective mineral sanitation at reduced chlorine levels
- Controlled Release Technology (CRT) ensures optimal mineral levels with no staining
- Eco-friendly system reduces the potential for common discomforts, and unpleasant odors

Part No.	Description
W20086	Nature ² Express IG for in-ground pools up to 25,000 gallons (6 pack)
W20176	Nature ² Express AG for aboveground pools up to 25,000 gallons (6 pack)



Professional G Mineral Sanitizer Vessel

Nature² sanitizer vessel for inground pools.

- Superior water quality with lower chlorine requirements
- Controlled Release Technology (CRT) ensures optimal mineral levels with no staining
- Eco-friendly system reduces potential for red eyes, skin irritations, and unpleasant odors

Part No.	Description
W25904	Nature ² G Vessel 2.0" Requires "G" mineral cartridge replacement, sold separately

Mineral Cartridges



“Fusion/DuoClear®” Cartridges

For use in DuoClear salt water chlorinators and Nature2® Fusion systems

W28000	DuoClear 25 Cartridge for up to 25,000 gallons (single unit). Order in multiples of 4. <i>Previous part # W6000 (4-pack).</i>
W28001	DuoClear 35 Cartridge for up to 35,000 gallons (single unit). Order in multiples of 4. <i>Previous part # W26001 (4-pack).</i>
W28002	DuoClear 45 Cartridge for up to 45,000 gallons (single unit). Order in multiples of 4. <i>Previous part # W26002 (4-pack).</i>



“G” Style Cartridges

For Professional G, Pro G Plus

Part No.	Description
W28125	G25 Cartridge for pools up to 25,000 gallons (single unit). Order in multiples of 4. <i>Previous part # W26725 (4-pack).</i>
W28135	G35 Cartridge for pools up to 35,000 gallons (single unit). Order in multiples of 4. <i>Previous part # W26735 (4-pack).</i>
W28145	G45 Cartridge for pools up to 45,000 gallons (single unit). Order in multiples of 4. <i>Previous part # W26745 (4-pack).</i>



“A” Style Cartridges

For Aboveground A, Pro A plus

W28165	A30 Cartridge for aboveground pools up to 30,000 gallons (single unit). Order in multiples of 4. <i>Previous part # W26765 (4-pack).</i>
--------	--



“Express” Style Cartridges

For in-ground and aboveground Express vessels

W28175	Express IG and AG Cartridge for up to 25,000 gallons (single unit). Order in multiples of 12. <i>Previous part # W26775 (12-pack).</i>
--------	--

Pumps

Filters

Heaters

Heat Pumps

Automation

Water Leveling

Water Sanitizers

Valves

Water Designs

Lighting

Cleaners

Accessories



Cartridge Filter Mineral Cartridges

Nature2® CF is a simple drop-in replacement for the pool's existing cartridge filter. Simply place CF in the pool's cartridge filter core and let our exclusive mineral process do the rest. Get all the benefits of Nature2 with practically effortless installation.

Nature2 CF Cartridge Filter

Part No.	Description
W29500	CF Cartridge for pools up to 25,000 gallons (single unit). Order in multiples of 6. <i>Previous part # W21500 (6-pack).</i>

"M" Style Cartridges

For M vessels

W28155	M25 Cartridge for pools up to 25,000 gallons (single unit). Order in multiples of 4. <i>Previous part # W26755 (4-pack).</i>
--------	---



"Swim Pure" Style Cartridges

Specially designed to fit inside Hayward® brand cartridge filters.

Part No.	Description
W22460	SP Cartridge 3" N2CN25 for up to 25,000 gallons (single unit). Order in multiples of 6. <i>Previous part # W22461 (6-pack).</i>
W22465	SP Cartridge 3" N2CN35 for up to 35,000 gallons (single unit). Order in multiples of 6. <i>Previous part # W22466 (6-pack).</i>
W22470	SP Cartridge 4" N2CW25 for up to 25,000 gallons (single unit). Order in multiples of 6. <i>Previous part # W22471 (6-pack).</i>
W22475	SP Cartridge 4" N2CW35 for up to 35,000 gallons (single unit). Order in multiples of 6. <i>Previous part # W22476 (6-pack).</i>



Nature2 Spa Stick

Nature2® SPA Stick

Nature2 Spa Stick uses a proprietary mineral system to destroy bacteria. This process is bromine compatible and allows you to use less chlorine, thereby reducing the potential for odors.

Features:

- When combined with MPS, such as Nature2 Cense®, it offers an EPA-registered non-chlorine or bromine spa sanitizing system
- Minerals handle the bulk of your water sanitation needs
- Drops inside the filter cartridge for easy installation
- Works with bromine, chlorine, or Cense

Part No.	Description
W20750	Nature2 Spa (single unit). Order in multiples of 12 <i>Previous part # W20660 (12-pack) and W20675 (36-pack).</i>



Nature2 Cense

Nature2 Cense is not a mineral sanitizer.

Nature2 Cense®

The only non-chlorine oxidant that offers the stress relieving benefits of aromatherapy with a crystal clear spa experience. Cense combines fragrance with MPS, an effective oxidizer for spas, to create an inviting and relaxing environment in and around the spa. By eliminating the chemical smell of chlorine and replacing it with four exquisite scents, Cense leaves spa water cleaner, clearer, and fragrant.

Features:

- When combined with Nature2 SPA Stick, Cense offers an EPA-registered non-chlorine or bromine spa sanitizer
- Relieves tension and stimulates the senses with four inviting fragrances
- Powder product will not clog filters like aroma oils

Part No.	Description
W25000	Island Pleasures (4 pack)
W25001	Simple Rituals (4 pack)
W25002	Quiet Escape (4 pack)
W25003	Divine Secrets (4 pack)
W25004B	Variety Pack (4 pack)



Nature2® SPA Test Strips

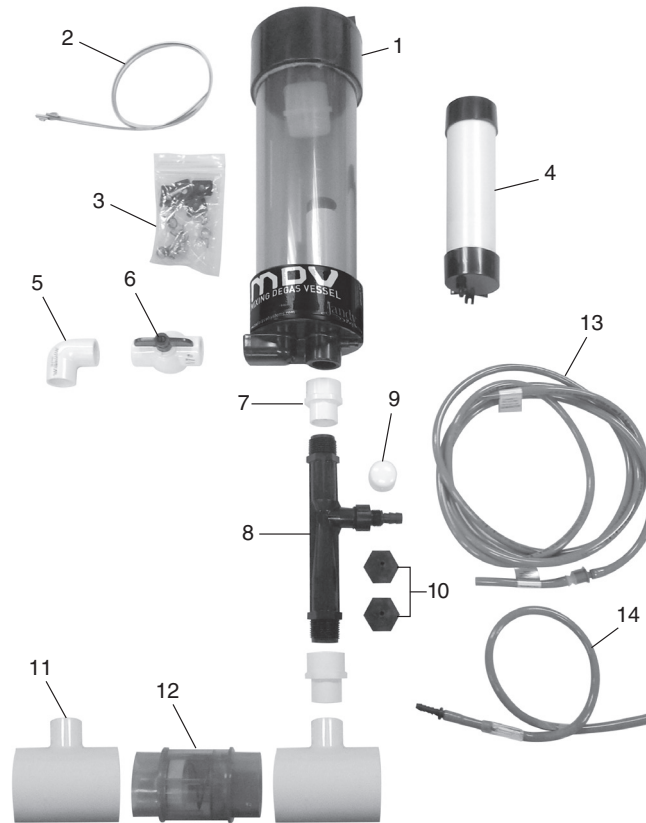
Keep spa water at optimum levels easily with these handy Test Strips. Test the monopersulfate, alkalinity and pH levels just by swirling the Nature2 Spa Test Strips.

Features:

- 50 strips per package
- Color-coded quick guide on package
- Instant readings for MPS, alkalinity, and pH

Part No.	Description
W29300	Nature2 Spa Test Strips (single unit). Order in multiples of 24. <i>Previous part # W22300 (24-pack)</i>

Jandy® Pro Series Ozone Generator Parts



Corona Discharge MDV Replacement Parts

Key No.	Description	Pieces Per Part No.	R-Kit No.
1	MDV	1	
2	Cable Tie	2	
3	Cable Tie Mount	4	R0693700
	Tube Clamp	4	
	Cable Tie Screw	4	
	#6 Screw	2	
4	Ozone Destruct Cartridge	1	R0693400
5	PVC Elbow 90°	1	
6	Water Level Adjustment Valve	1	

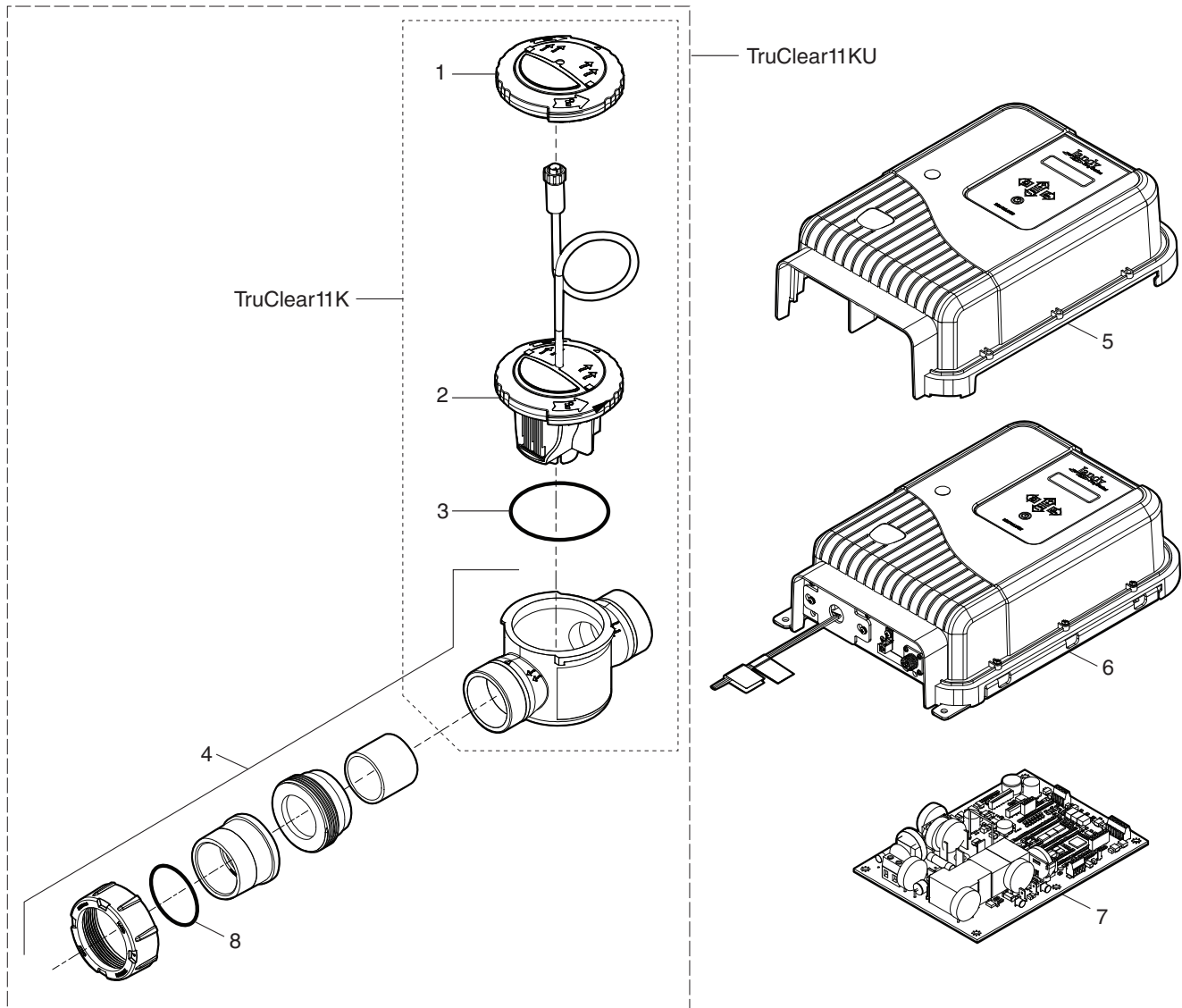
Key No.	Description	Pieces Per Part No.	R-Kit No.
7	3/4"-1" Threaded Adapter	2	
8	Ozone Injector	1	R0693600
9	Injector Cap	1	
10	Threaded Tube Adapter	2	
11	PVC 2-1/2" - 1/4" T Joint	2	
12	Variable Rate Check Valve	1	R0692500
13	Ozone Tubing/ Check Valve	1	R0693800
14	Flow Meter	1	

Module Replacement Parts

Description	Part No.
Ozone Module Replacement Kit	R0693200
Tubing Replacement Kit	R0693800
Replacement Fuse, 1A Slo-Blo	R0693300
Variable Rate Check Valve	R0692500

TruClear™ Salt System

Part# TruClear11K, TruClear11KU

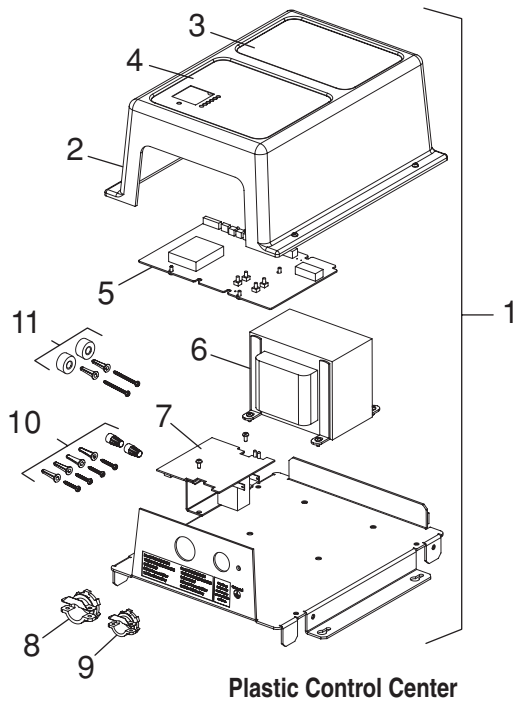


Key No.	Part No.	Description	Qty.
1	R0621900	TruClear Winterizing Cap	1
2	R0693900	TruClear Cell, Replacement	1
3	R0694100	TruClear O-Ring, Replacement	1
4	R0694000	TruClear Housing, Replacement	1
5	R0663800	TruClear Power Pack Cover, Replacement	1

Key No.	Part No.	Description	Qty.
6	R0663700	TruClear Power Pack, Replacement	1
7	R0663900	TruClear PCB, Replacement	1
8	R0449200	O-ring, Tail Piece	1

AquaPure® Replacement Parts – Plastic Control Center

Part# APURE700, APURE1400

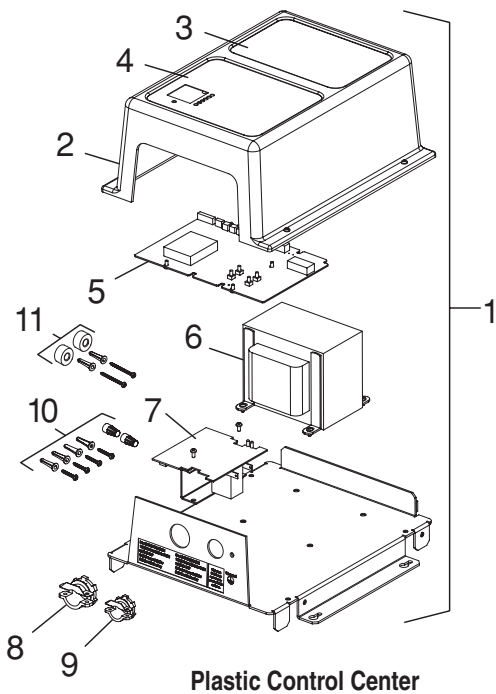


Plastic Control Center

Key No.	Part No.	Description
N/S	R5000100	Power Supply Cover Support Bracket, APURE
1	R0402900	Control Box Complt, APURE700, (Use APUREM)
1	R0403000	Control Box Complt, APURE1400, (Use APUREM)
2	R0403100	Control Box Cover, APURE700
2	R0403200	Control Box Cover, APURE1400
3	R0404300	Control Box Decal, APURE, Top
4	R0404400	Control Box Decal APURE, Bottom
5	R0403900	PCB, Front LED, All Models, Rev. B10038-01 (Use APUREM)
6	R0481400	Transformer, 50/60Hz
7	R0404000	PCB, Back, APURE700, (Use APUREM)
7	R0404100	PCB, Back, APURE1400, (Use APUREM)
8	M1033	Strain Relief, Power
9	M1034	Strain Relief, Data
10	R0412900	Mounting Hardware Kit (side mount)
11	AZ008	Mounting Hardware Kit (old style, spacers) Use #R0412900
N/S	R0474300	ORP Connector, 2 pin AquaPure replacement kit (when used with ChemLink™)

ClorMatic® Replacement Parts–Plastic Control Center

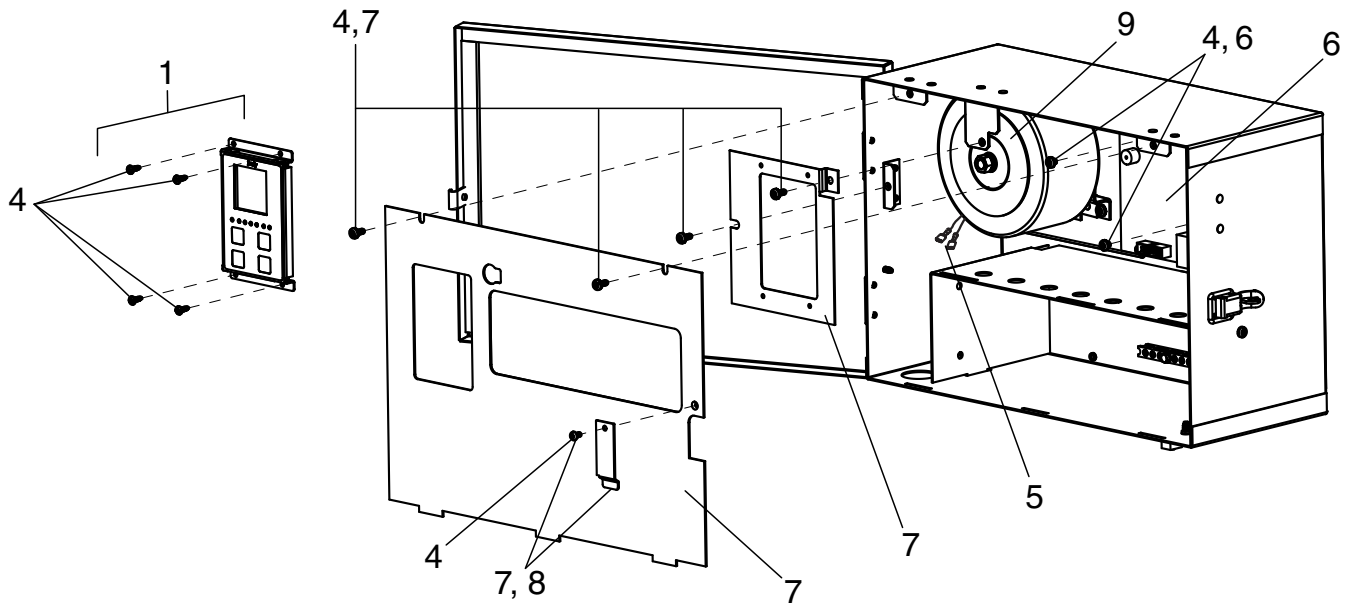
Part# CMATIC700, CMATIC1400



Plastic Control Center

Key No.	Part No.	Description
N/S	R5000100	Power Supply Cover Support Bracket
1	PSD133	Control Box, CM301 w/ Pwr Supply, Superseded by APUREM
1	PSD163	Control Box, CM601 w/ Pwr Supply, Superseded by APUREM
2	AZ004	Control Box Cover, CM301
2	AZ005	Control Box Cover, CM601
3	LA1046	Control Box Decal, Top, CM601
4	LA1045	Control Box Decal, Bottom (all models)
5	R0403900	PCB, Front LED, CM3 (all models)
6	R0481400	Transformer, CM3 301/601, 50/60Hz
7	R0404000	PCB, Back, CM3, CM301, (Use APUREM)
7	R0404100	PCB, Back, CM3, CM601, (Use APUREM)
7	PSD001	PCB, Back, CM2, CM601, (Use APUREM)
	PSD005	CM2, CM301, Back Board, (Use APUREM)
8	M1033	Strain Relief, Power
9	M1034	Strain Relief, Data
10	R0412900	Mounting Hardware Kit (side mount)
11	AZ008	Mounting Hardware Kit (old style, spacers) Use #R0412900
N/S	SP3PCM	Spool, 3-Port w/ 2.5" unions, ClorMatic labeling

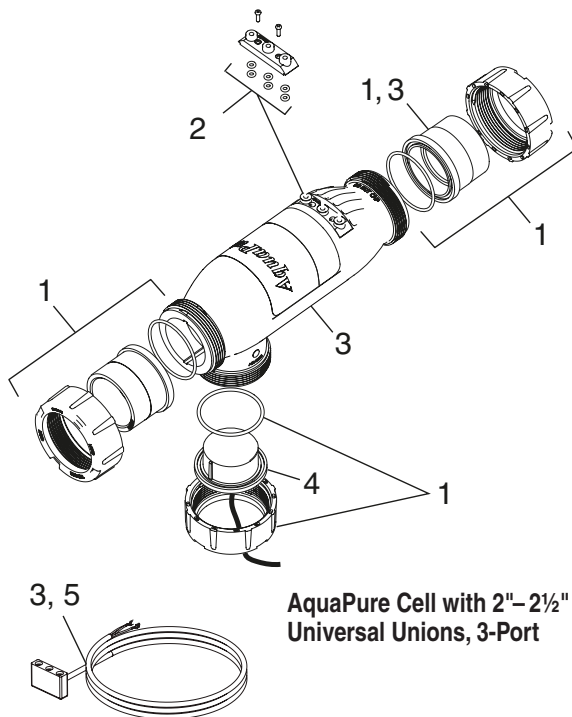
N/S-Not Shown N/A-Not Available



AquaPure®, ClorMatic® Control/Power Center Replacement Parts

Key No.	Part No.	Description	Qty.
1	R0467400	User Interface Board Screws	1 4
2	R0467700	Bezel Cover Plate, PureLink™ Power Center Bezel Support Plate, PureLink Power Center Battery Cover, PureLink Power Center Screws, Bezel Cover Plate Screws, Bezel Support Plate Screw, Battery Cover	1 1 1 2 2 1
3	R0447300	Battery Door, PureLink Power Center Screw, Battery Cover	1 1
4	R0467800	Screws, User Interface, PureLink Screws, Power Interface Assembly Screws, Bezel Cover Plate Screws, Bezel Support Plate Screw, Battery Cover	4 2 2 2 1
5	R0447500	Wiring Harness, PureLink Back PCB to DC Cord	1
6	R0467600	Power Interface Board Assembly Screws, Power Interface	1 2
7	R0503400	Face Plate, Control Center, APUREM Mounting Bracket, User Interface, APUREM Screws, User Interface Mounting Bracket and Face Plate Battery Door, Control Center, APUREM Screw, Battery Cove	1 1 4 1 1
8	R0503300	Battery Door, Control Center, APUREM Screw, Battery Cover	1 1
9	R0481400	Transformer, 115/230V, 6A	1

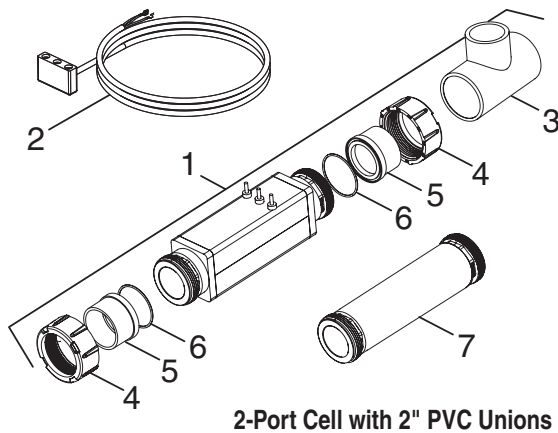
PureLink™ Replacement Parts — 3-Port Cell with 2"– 2½" Universal Unions



Key No.	Part No.	Description
1	R0452100	Universal Union Kit, 3-Port Cell (Includes: Universal Union Nuts, O-rings, Tailpieces, 2" x 2½" Plug)
2	R0452200	O-rings and Terminal Adapter Kit, 3-Port Cell (Includes: O-rings, Terminal Adapter, screws)
3	R0452300	Cell Kit, APURE700, 3-Port (Includes: Cell, O-rings, 16' DC Cord)
3	R0452400	Cell Kit, APURE1400, 3-Port (Includes: Cell, O-rings, 16' DC Cord)
4	R0452500	Sensor Kit, Slotted 3-Port Cell, 16' (Includes: Sensor, O-ring)
4	R0476400	Sensor Kit, Slotted 3-Port Cell, 25' (Includes: Sensor, O-ring)
N/S	SP3P	Spool Piece and Cleaning Kit, 3-Port (Includes: Spool Piece, O-ring, Universal Union Nuts, Tailpiece, 2" x 2½" Plug, plus caps for cleaning)
5	R0402800	16' DC Cord
5	R0476300	25' DC Cord
N/S	M1003	Myron Meter

Note: See page 228 for Threaded Sensors.
N/S-Not Shown

AquaPure® Replacement Parts — 2-Port Cell with 2" LX PVC Unions (Black) (Discontinued)



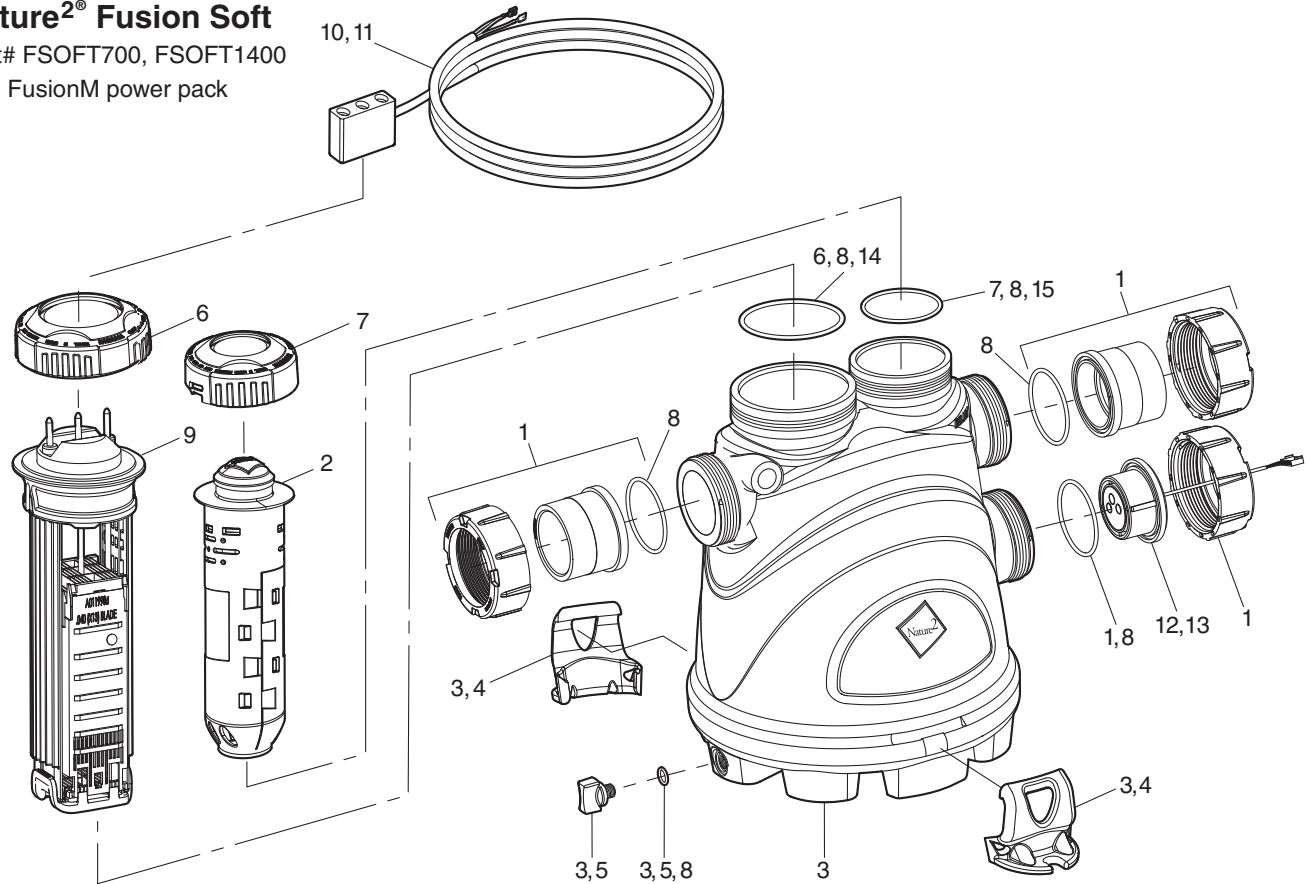
Key No.	Part No.	Description
1	R0475300	Cell Kit, APURE700, 2-Port (Includes: 16' DC Cord, 2" PVC Unions) (old P/N R0412400)
1	R0475400	Cell Kit, APURE1400, 2-Port (Includes: 16' DC Cord, 2" PVC Unions) (old P/N R04123 00)
2	R0402700	8' DC Cord
2	R0402800	16' DC Cord
3	R0413000	Tee, 2" PVC (for Sensor) w/ LX Threads
4	R0412500	Nut, 2" PVC (for APURE) w/ LX Threads
5	R0412600	Union Half, Unthreaded, 2" PVC (for APURE)
6	R0412700	O-ring, 2"
7	SP3PLX	Spool Kit, 2-Port w/ 2" Unions
N/S	SP3PLX	Spool Kit, 3-Port w/ LX Unions

N/S-Not Shown

Nature² Fusion Soft

Part# FS0FT700, FS0FT1400

Use FusionM power pack

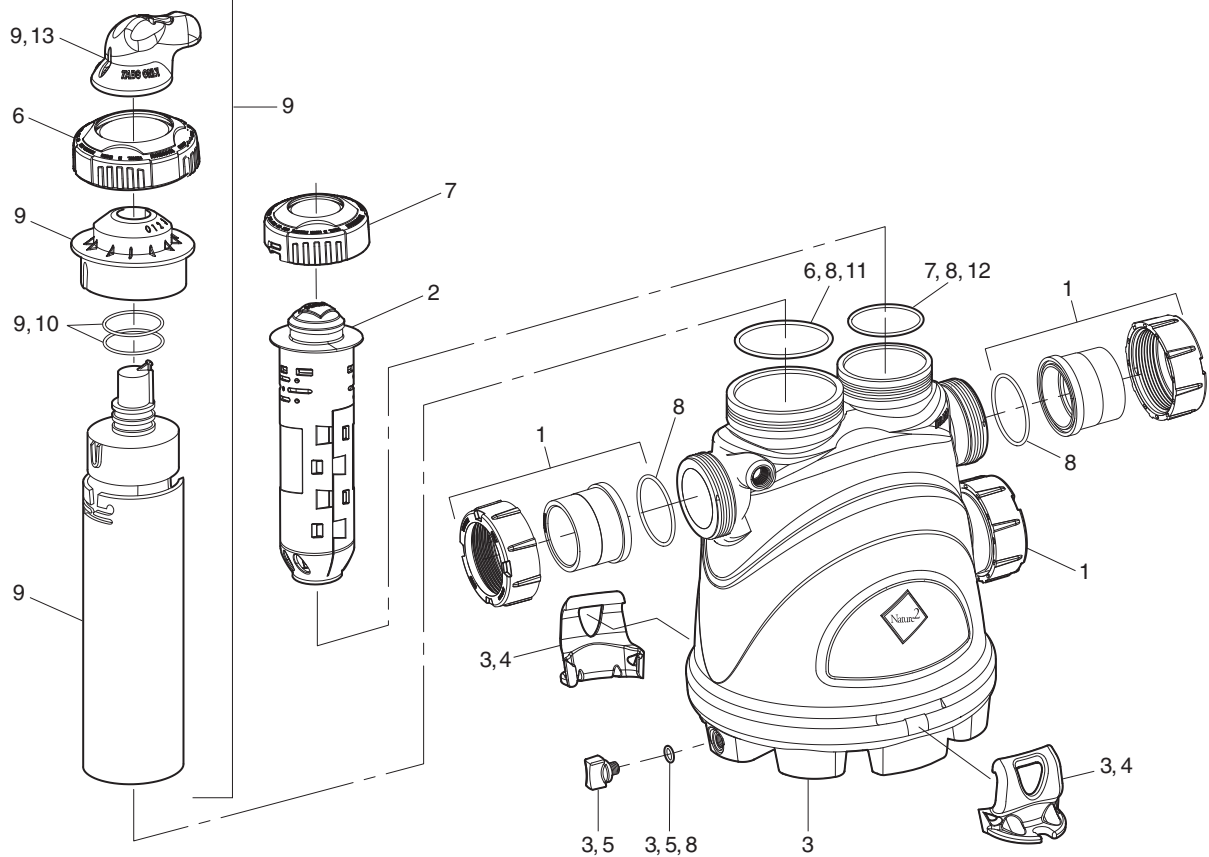


Key No.	Part No.	Description	Qty.
1	R0452100	Universal Union/Tailpiece/Plug Includes: Nut, Union Universal O-ring, #2-231 Tailpiece, 2" x 2½" Plug, Port (not shown)	3 3 2 1
2	W28000	Fusion/DuoClear® 25,000 gal. Cartridge	1
2	W28001	Fusion/DuoClear 35,000 gal. Cartridge	1
2	W28002	Fusion/DuoClear 45,000 gal. Cartridge	1
3	R0502000	Vessel w/ Flow Management System, Nature² Fusion Soft Includes: Vessel Plug, Drain O-ring, drain plug Anchor Bracket	1 1 1 2
4	R0502200	Anchor Bracket Kit	2
5	R0446000	Drain Plug w/ O-ring	2
6	R0502300	Large Collar w/ O-ring	1

Key No.	Part No.	Description	Qty.
7	R0502400	Small Collar w/ O-ring	1
8	R0502500	Nature² Fusion O-ring Kit Includes: O-ring, Large Collar O-ring, Small Collar O-ring, Unions and Port Plug O-ring, Feeder Shaft O-ring, Drain Plug	1 1 3 2 1
9	R0502800	Nature² Fusion Soft 700 Cell Kit Includes: Electrolytic Cell O-ring	1 1
9	R0503000	Nature² Fusion Soft 1400 Cell Kit Includes: Electrolytic Cell O-ring	1 1
10	R0402800	16' Cable, DC	1
11	R0476300	25' Cable, DC	1
12	R0452500	Port Sensor 16' w/ O-ring	1
13	R0476400	Port Sensor 25' w/ O-ring	1
14	R0586300	Tri-Lobe O-ring	1
15	R0586400	Collar O-ring	1

Nature²® Fusion Inground

Part# FUSION



Key No.	Part No.	Description	Qty.
1	R0452100	Universal Union/Tailpiece/Plug	
		Includes:	
		Nut, Union Universal	3
		O-ring, #2-231	3
2	W28000	DuoClear® 25, Old Part# W28000	1
		DuoClear 35, Old Part# W28001	1
2	W28002	DuoClear 45, Old Part# W28002	1
3	R0501600	Vessel w/ Flow Management System, Nature² Fusion, In-ground	
		Includes:	
		Vessel	1
		Plug, Drain	1
		O-ring, drain plug	1
Anchor Bracket	2		
4	R0502200	Anchor Bracket kit	2
5	R0446000	Drain Plug w/ O-ring	2

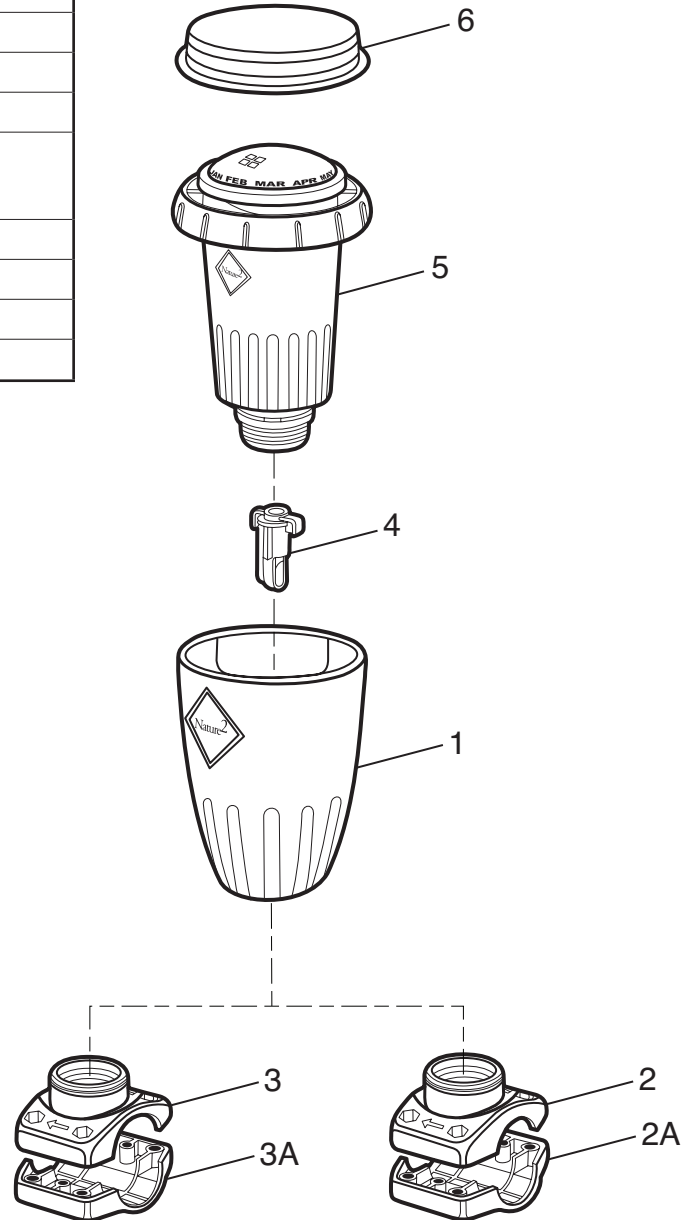
Key No.	Part No.	Description	Qty.
6	R0502300	Large Collar w/ O-ring	1
7	R0502400	Small Collar w/ O-ring	1
8	R0502500	Nature² Fusion, O-ring Kit	
		Includes:	
		O-ring, Large Collar	1
		O-ring, Small Collar	1
		O-ring, Unions and Port Plug	3
O-ring, Feeder Shaft	2		
O-ring, Drain Plug	1		
9	R0502600	Tab Feeder Assembly	
		Includes:	
		Body	1
		Cap	1
		Top	1
O-ring	2		
Tab Feeder Handle	1		
10	R0586200	Tab Feeder O-ring	2
11	R0586300	Tri-Lobe O-ring	1
12	R0586400	Collar O-ring	1
13	R0502700	Tab Feeder Handle	1

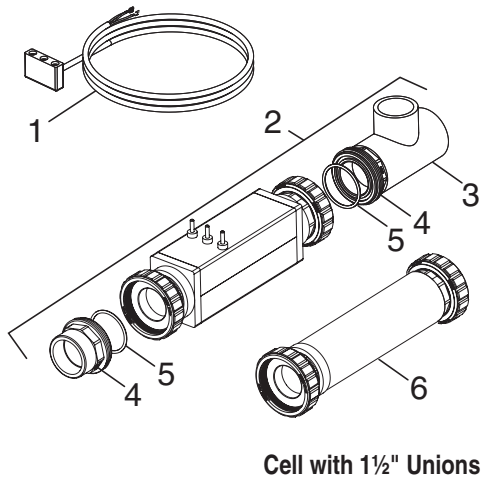
Nature2® Express

Part# W20086/W20176

Key No.	Part No.	Description	Qty.
1	W15529	Nature2 Express Sleeve w/ Logo	1
2	W15527	1½" Saddle Clamp Top/Gasket	1
2A	W15524	1½" Saddle Clamp Bottom	1
3	W15528	2" Saddle Clamp Top/Gasket	1
3A	W15525	2" Saddle Clamp Bottom	1
4	W15523	Flow Diverter	1
5	W28175	Express IG/AG Cartridge (up to 25,000 gal, single unit) Previous Part# W26775	1
N/S	W13329	Gasket, Saddle Clamp	1
6	W15526	Winterizing Cap	1
N/S	W13331	Hole Saw	1
N/S	W13332	Lube Pack	1

N/S-Not Shown N/A-Not Available

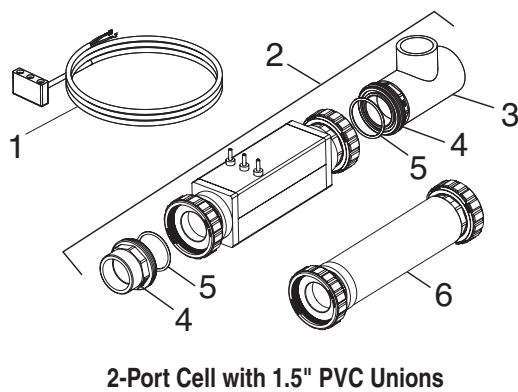




AquaPure® Replacement Parts — 2-Port Cell with 1½" ABS Unions (White) (Discontinued)

Key No.	Part No.	Description
1	R0402800	16' DC Cord
2	PLC700	Cell Kit, PURE700, 2-Port (Includes: 16' DC Cord, 1½" ABS Unions)
2	PLC1400	Cell Kit, PURE1400, 2-Port (Includes: 16' DC Cord, 1½" ABS Unions)
3	R0413000	Tee, 1½" ABS for Sensor
4	PI1019	Union Half, 1½" Threaded Socket (White)
N/S	PI1023	Union Half, 1½" Unthreaded Socket (White)
5	PI1024	Union, O-ring, 1½"
6	R5000200	2" PVC Coupler Kit w/ 1½" ABS Threaded Half Unions

N/S-Not Shown



ClorMatic® Replacement Parts—Cell with 50mm (1½") Unions (White) (Discontinued)

Key No.	Part No.	Description
1	R0402700	8' Cord, DC
1	R0402800	16' Cord, DC
2	CMC700	Cell, CM301 w/ 16' DC Cord (Old P/N ECR050-N/A) (Use #PLC700)
2	CMC1400	Cell, CM601 w/ 16' DC Cord (Old P/N ECR100-N/A) (Use #PLC1400)
2	R0478400	Cell, CM301, 3-Port (Use #PLC1400)
2	R0452400	Cell, CM601, 3-Port (Use R0452400)
3	AZ009	Tee Replacement Kit, 1½" Standard
3	AZ010+	Tee Replacement Kit, Metric
4	PI1019	Union Half, 1½" Threaded Socket (white)
N/S	PI1023	Union Half, 1½" Unthreaded Socket (white)
N/S	PI1025	Union Half, Threaded Jacket, Metric
5	PI1024	Union, O-ring, 1½"
N/S	PI1021	Union Half, Unthreaded Socket, Metric
6	AZ003	Spool Piece, In-line Cell Dummy w/ 1½" Unions
N/S	LA1010	Cell Overlay Label, 601

N/S-Not Shown



Sensors (AquaPure®, PureLink™, Fusion Soft and Chlormatic®)

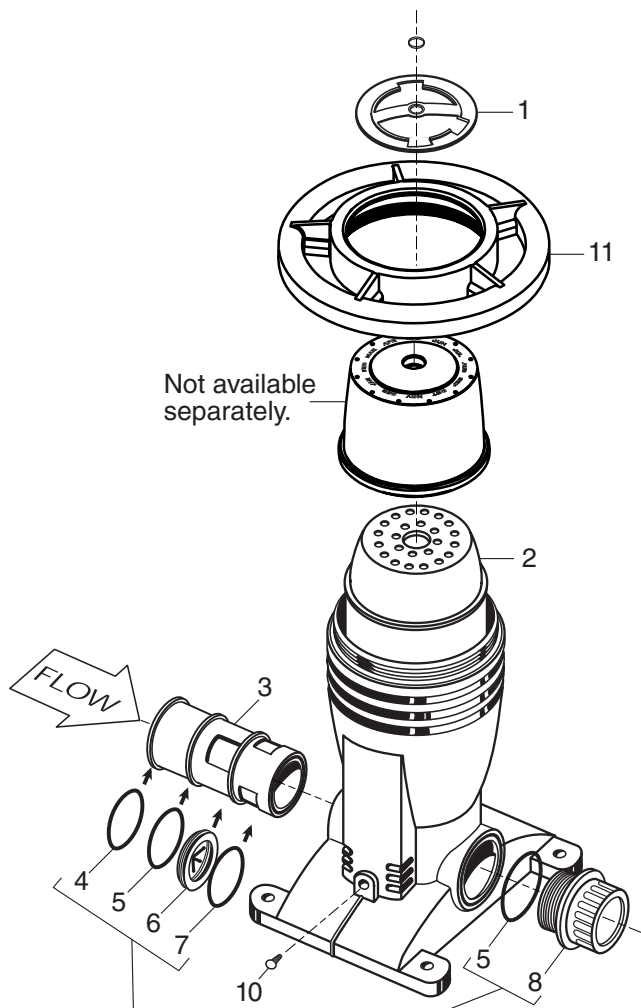
Part No.	Description
R0403700	Flow Sensor, Threaded, CM3 w/ 8' Cord (flat, multi-pin connector)
R0403800	Flow Sensor, Threaded, CM3 w/ 16' Cord (flat, multi-pin connector)
R0452500	Flow Sensor, Slotted, 3-Port Cell, 16' (flat, multi-pin connector)
R0476400	Sensor Kit, Slotted 3-Port Cell, 25' (Includes: Sensor, O-ring)
R0539800	Flow Sensor, Threaded, CM2 w/ 8' Cord (RJ45 "phone-jack" style connector), Old Part# FSS102
R0539801	Flow Sensor, Threaded, CM2 w/ 16' Cord (RJ45 "phone-jack" style connector), Old Part# FSS103
R0403700	Flow Sensor, CM3, 8' Old Part# FSS302
R0403800	Flow Sensor, CM3, 16' Old Part# FSS303

Nature²® Professional G Vessel

Part# W25904

Key No.	Part No.	Description	Qty.
1	W15212	Professional G Life Indicator	1
N/S	W13073	O-ring for 2-Piece Locking Ring Cap (Not shown, inside cap)	1
N/S	W13061	O-ring for 1-Piece Cap	1
2	W28125	G25 Cartridge, 4/PK Old Part # W26725	1
2	W28135	G35 Cartridge, 4/PK Old Part # W26735	1
2	W28145	G45 Cartridge, 4/PK Old Part # W26745	1
3	W15003	Professional G Inlet Port	1
4	W13087	Professional G Gasket	1
5	W13035	Professional G Inlet/Outlet O-ring (2 required)	1
6	W13050	Professional G Flow Controller	1
7	W13075	Professional G Big Boy O-ring	1
8	W15013	Professional G Outlet Port	1
9	W29130	Professional G Inlet/Outlet Port Assembly Complete	1
10	W13041	Winter Drain Plug	1
11	W15725	Locking Ring	1

N/S-Not Shown N/A-Not Available

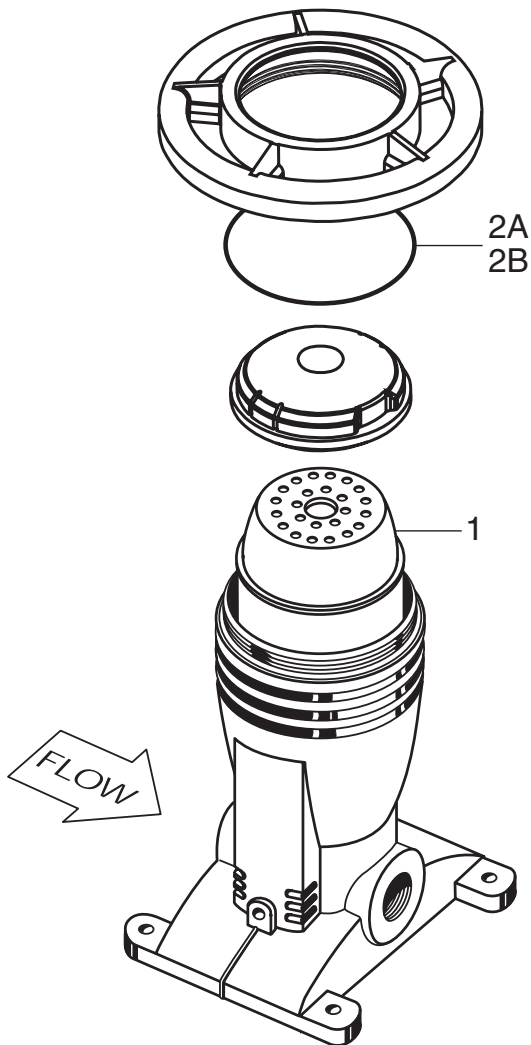
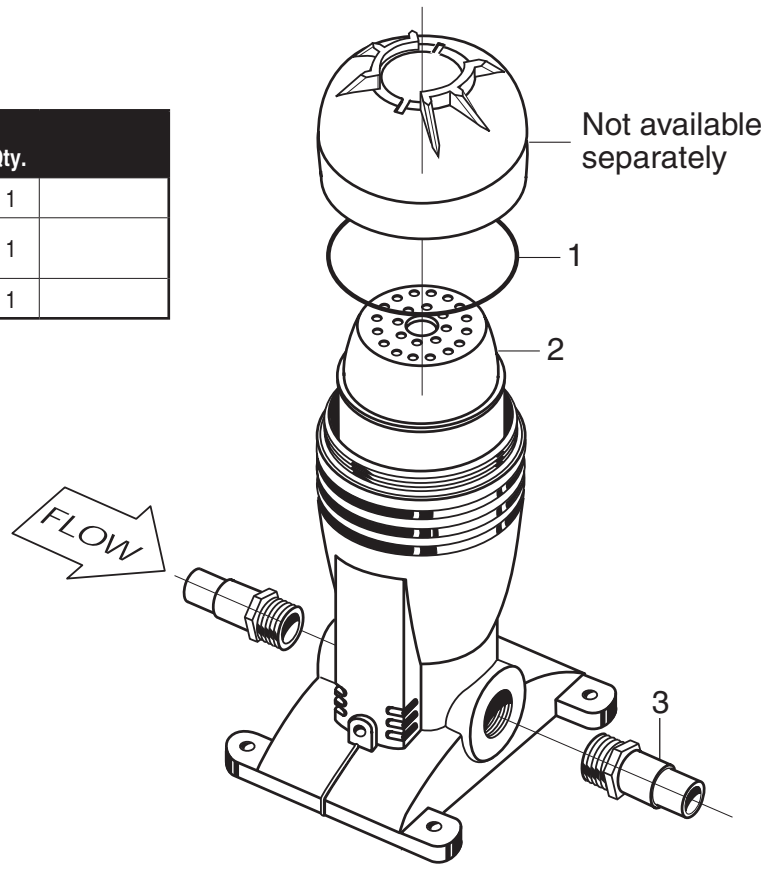


Nature2® Model A Vessel

Part# W20040

Key No.	Part No.	Description	Qty.
1	W13061	O-ring for 1-Piece Cap	1
2	W28165	A30 Aboveground Cartridge, 4/PK Old Part# W26765	1
3	W13002	Hose Adapter	1

Note: Top cap is not available separately.



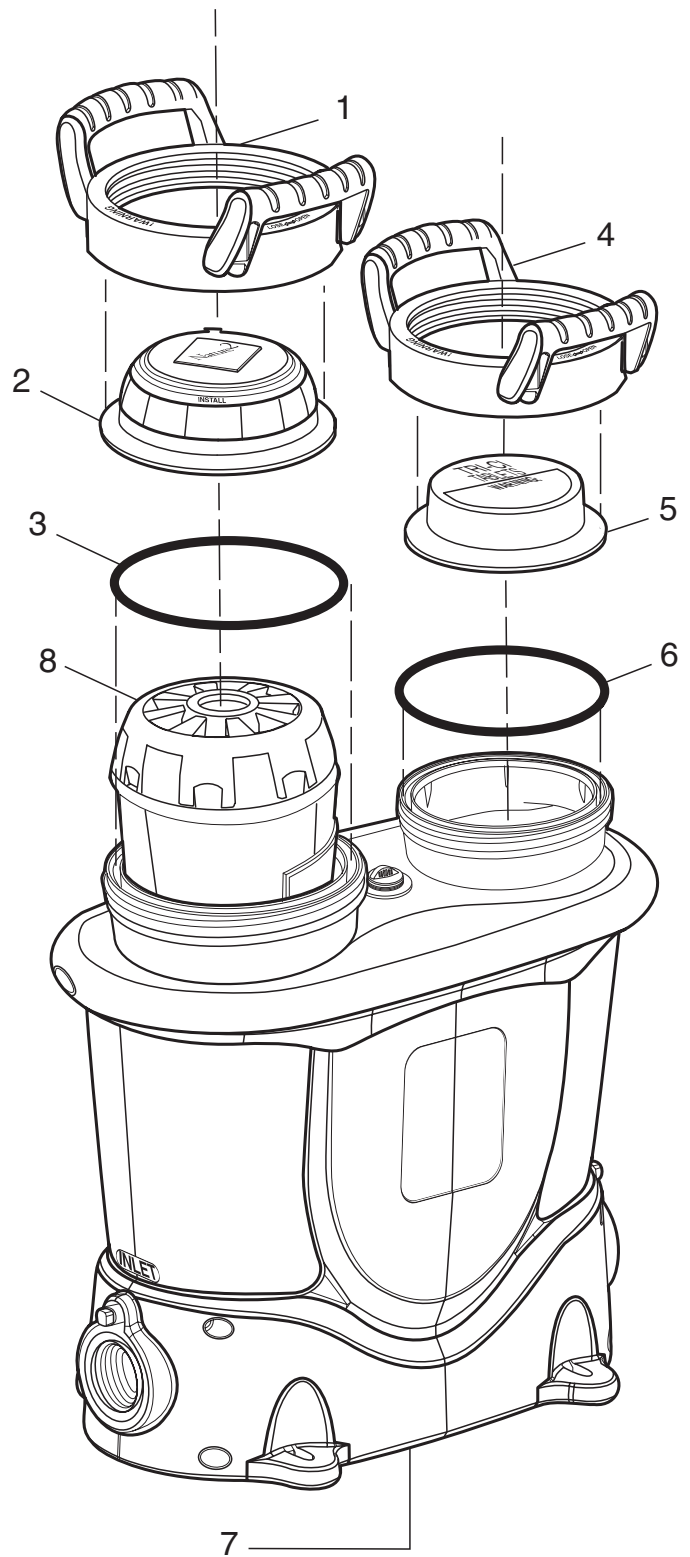
Nature2 Premium M (Discontinued)

Key No.	Part No.	Description	Qty.
1	W28155	Premium M Cartridge (4 pack), Old Part# W26755	1
2A	W13073	O-ring for 2-Piece Locking Ring Cap	1
2B	W13061	O-ring for 1-Piece Cap	1

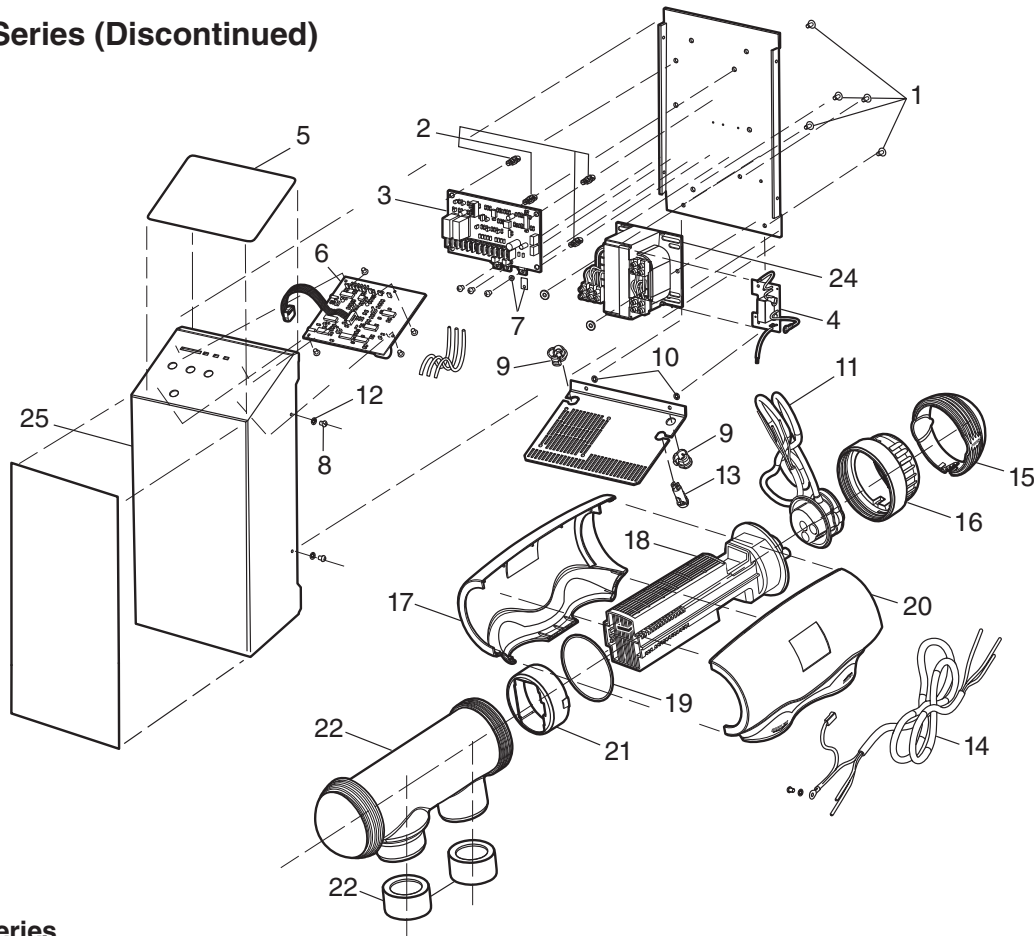
Nature²® Pro G Plus (Discontinued)

Part# W20011

Key No.	Part No.	Description	Qty.
1	W15258	Nature ² Locking Ring	1
2	W15951	Nature ² Cap (Use W15527)	1
3	W13064	Nature ² O-ring	1
4	W15259	Chlorine Locking Ring	1
5	W15954	Chlorine Cap	1
6	W13068	Chlorine O-ring	1
7	W13042	Bottom Plug (Large)	1
8	W28125	G25 Cartridge, 4/PK (All) Old Part# W26725	1
8	W28145	G45 Cartridge, 4/PK (All) Old Part# W26745	1



LM3 Series (Discontinued)



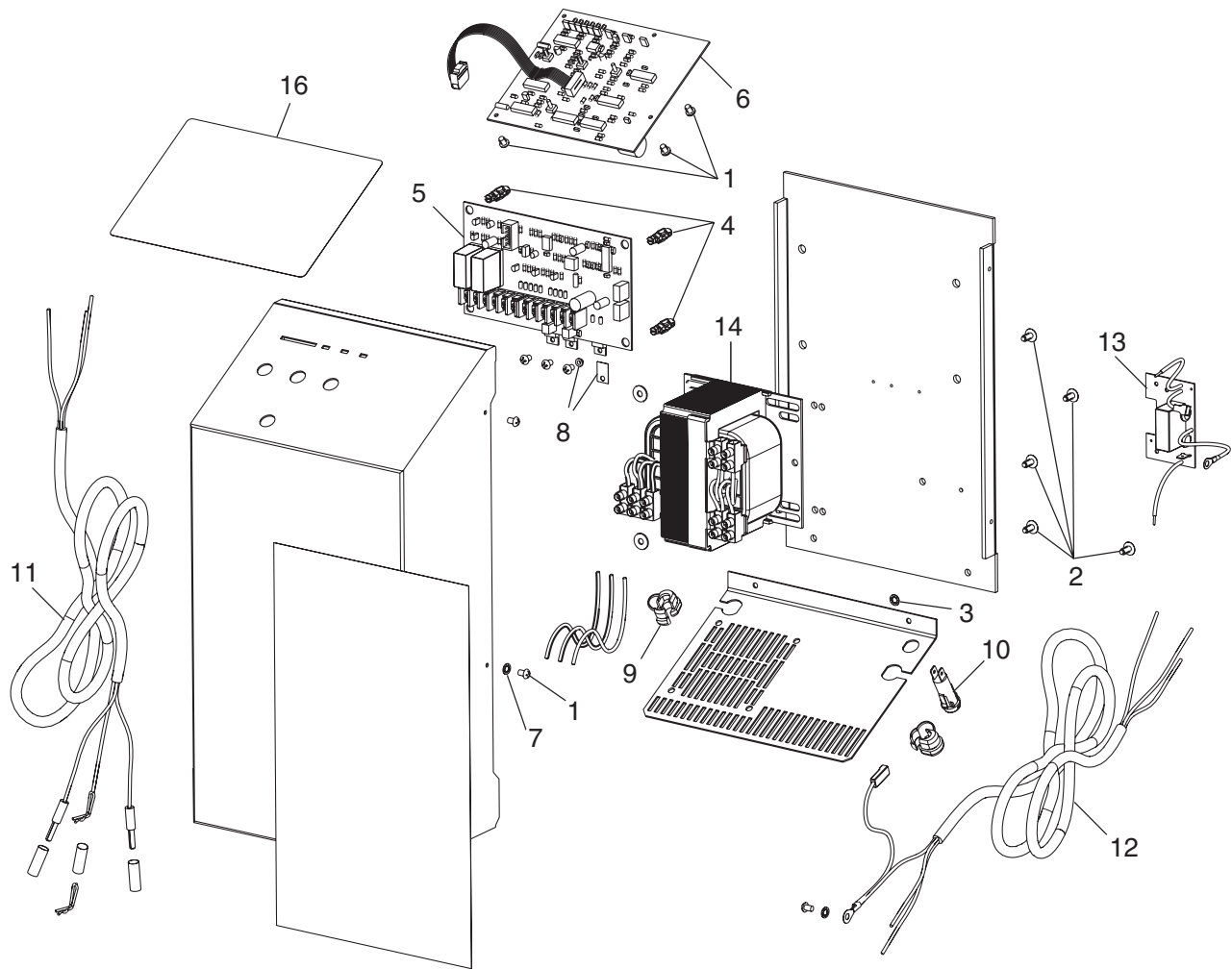
LM3 Series

Key No.	Part No.	Description	Qty.
1	W000131	Pop Rivet	5
2	W001091	Black PCB Standoff	4
3	W222091	LM2 and LM3 PCB Assembly	1
4	W222241	Filter PCB For Transformer	1
5	W175981	LM3S Control Label	1
6	W082641	LM3S Control PCB	1
7	W000651	Insulation Kit	1
8	W000351	M3 x 8mm Screw	4
9	W000661	Cord Grip Grommet HE1200 15 amp	1
10	W000281	Washer S/Proof	2
11	W052341	LM3 Output Cable Standard 6'	1
11	W052342	LM3 Output Cable Standard 12'	1
12	W000261	Washer S/Proof	4
13	W111071	Circuit Breaker	1
14	W221411	LM3 Input Cable	1
N/S	W258342	Complete Power Pack, LM3-15	1
N/S	W258242	Complete Power Pack, LM3-40	1
N/S	W202421	Conversion Kit, LM3-15	1
N/S	W202441	Conversion Kit, LM3-24	1

Key No.	Part No.	Description	Qty.
N/S	W202461	Conversion Kit, LM3-40	1
18	W202281	Cell Assembly, LM3-15	1
18	W202301	Cell Assembly, LM3-24	1
18	W202321	Cell Assembly, LM3-40	1
15	W042342	LM3 Terminal Cover	1
16	W042463	LM3 Locking Ring	1
17	W042312	LM3 Shroud Left	1
18	W196566	LM3-15 Replacement Electrode	1
18	W196586	LM3-24 Replacement Electrode	1
18	W196606	LM3-40 Replacement Electrode	1
19	W150181	LM3 Cell O-ring	1
20	W042322	LM3 Shroud Right	1
21	W042333	LM3 Adaptor	1
22	W042303	LM3 Cell Housing	1
23	W041101	Reducing Bush (White)	2
24	W130421	Transformer, LM3-40	1
24	W130591	Transformer, LM3-15, 24	1
25	W012491	Cover (W012101 not available use P/N W012491)	1

N/S-Not Shown N/A-Not Available

LM2 Series Power Pack (Discontinued)



LM2 Series Power Pack

Key No.	Part No.	Description	Qty.
1	W000351	Screw, Pan head M3 x 8	1
2	W000131	Pop Rivet	1
3	W000281	Washer S/Proof	1
4	W001091	Black PCB Standoff	1
5	W222091	LM2 and LM3 PCB Assembly	1
6	W222111	LM2 S Control PCB	1
7	W000261	Washer S/Proof	1
8	W000651	Insulation Kit	1
9	W000661	Cord Grip Grommet HE1200 15 amp	1
10	W111071	Circuit Breaker -3 amp	1
11	W193201	Output Cable	1

Key No.	Part No.	Description	Qty.
12	W221411	Input Cable	1
13	W222241	Filter PCB For Transformer	1
14	W130591	Transformer, LM2-15, 24	1
14	W130421	Transformer, LM2-40	1
15	W012491	Cover W012101 not available use P/N W012491	1
16	W171911	Touch Pad Label	1
N/S	W194361	Output Extension Kit	1
N/S	W202421	Upgrade Cell Kit LM3-15	1
N/S	W202441	Upgrade Cell Kit LM3-24	1
N/S	W202461	Upgrade Cell Kit LM3-40	1

N/S-Not Shown

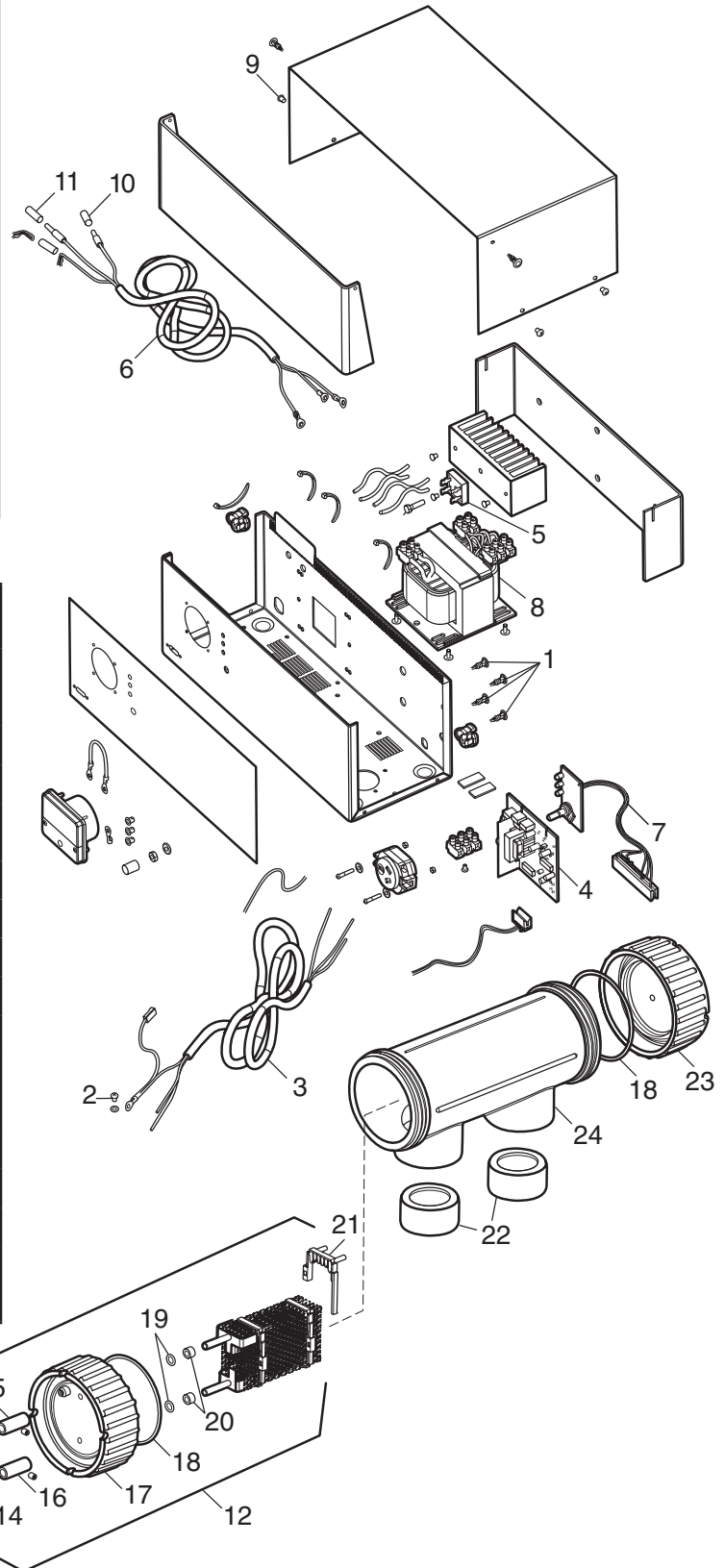
C Series (Discontinued)

C Series Power Pack

Key No.	Part No.	Description	Qty.
1	W000071	PCB Standoffs	4
2	W000201	Earth Screw	1
3	W051431	Input Cable-C	1
4	W080341	Main PCB	1
5	W060401	Rectifier	1
6	W190891	Output Cable w/ Terminals	1
7	W191181	Manual Control for PCB Assembly	1
8	W130031	Transformer (All Models)	1
9	W000581	Cover Screws	4
10	W050041	Cell Terminal Insulation Black	1
11	W050051	Cell Terminal Insulation Red	1

C Series Cell

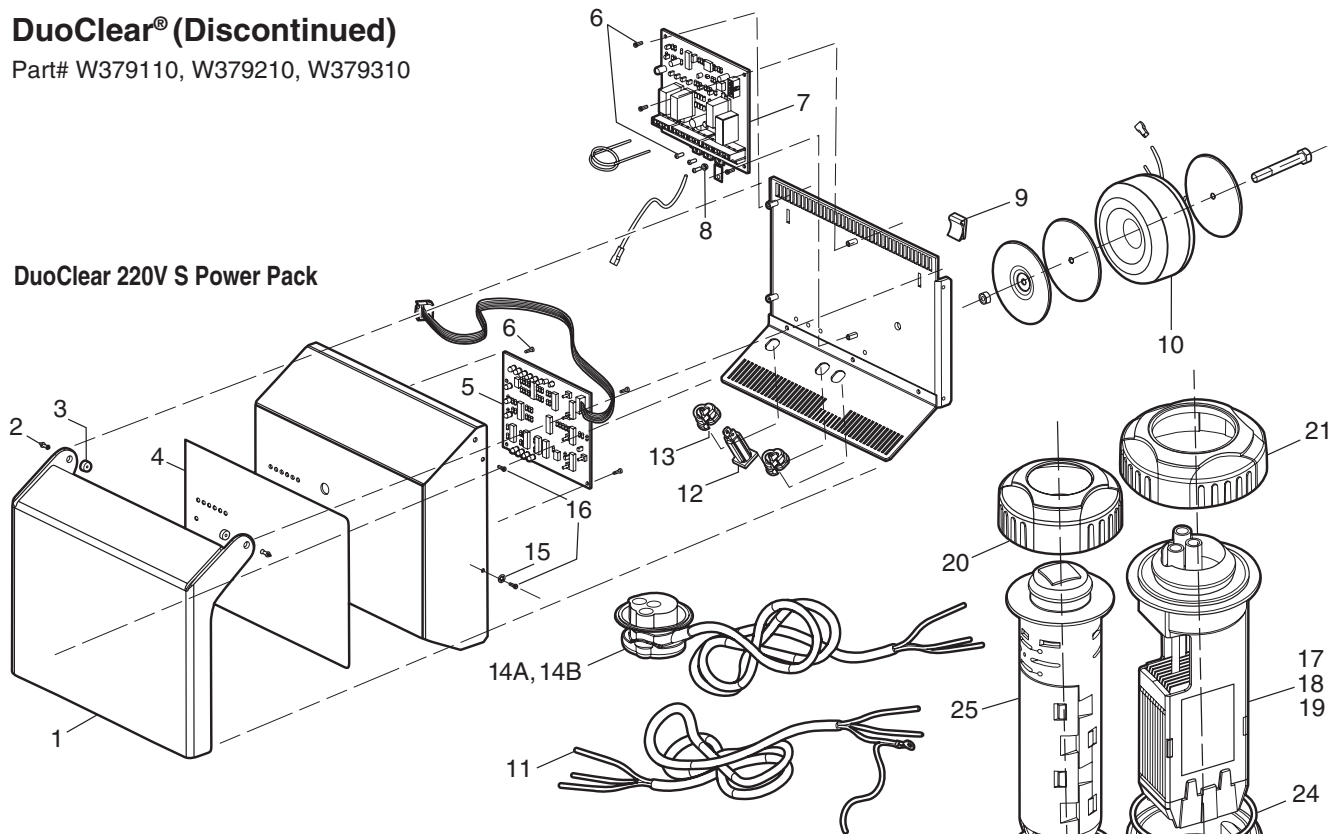
Key No.	Part No.	Description	Qty.
12	W193841	C140 Electrode Kit	1
12	W193851	C170 Electrode Kit	1
12	W193861	C200 Electrode Kit	1
12	W193871	C250 Electrode Kit	1
12	W193991	C400 Electrode Kit (Two Cells Included)	1
13	W050061	Heatshrink Black	1
14	W050071	Heatshrink Red	1
15	W190801	Brass Socket Negative	1
16	W190811	Brass Socket Positive	1
17	W192021	Cell Cap (Electrode Side)	1
18	W150041	O-ring, Cell Cap	2
19	W150021	O-ring, Electrode Post	2
20	W040351	Post Spacer	1
21	W040011	Electrode Clips	1
22	W041101	Reducing Bush (White)	2
23	W193821	Blank Cap	1
24	W192001	Cell Housing	1



DuoClear® (Discontinued)

Part# W379110, W379210, W379310

DuoClear 220V S Power Pack



Key No.	Part No.	Description	Qty.
1	W012381	DuoClear Perspex Cover	1
2	W001281	Plastic Rivet (DuoClear Hinge)	1
3	W042281	Nylon Spacer 4mm Hinge	1
4	W173671	S Cover Label DuoClear	1
5	W082670	DuoClear S Control PCB Assembly	1
6	W000351	Screw Pan Hd Phil M3*8 w/ Cap	1
6	W000651	Insulation Mounting Kit	1
7	W082441	DuoClear Power PCB Assembly	1
8	W000651	Insulation Mounting Kit To 220	1
9	W001321	Ribbon Cable Clamp (Multicomp)	1
10	W130671	Transformer (220 290va 54v Ct)	1
11	W052301	DuoClear UL Mains Cable USA	1
12	W111071	Circ. Break.W28-Xq1a03 Potter	1
13	W000661	Cord Grip Grommet HE1200 15 amp	1
14A	W052311	6' Output Cable w/ Plug	1
14B	W052313	12' Output Cable w/ Plug	1
15	W000261	Washer Shkproof Int 1/8 Z/P	1
16	W000581	M3 x 6mm Taptite Screw	1
N/S	W258061	Complete Power Pack, DuoClear 25	1
N/S	W258071	Complete Power Pack, DuoClear 35	1
N/S	W258081	Complete Power Pack, DuoClear 45	1

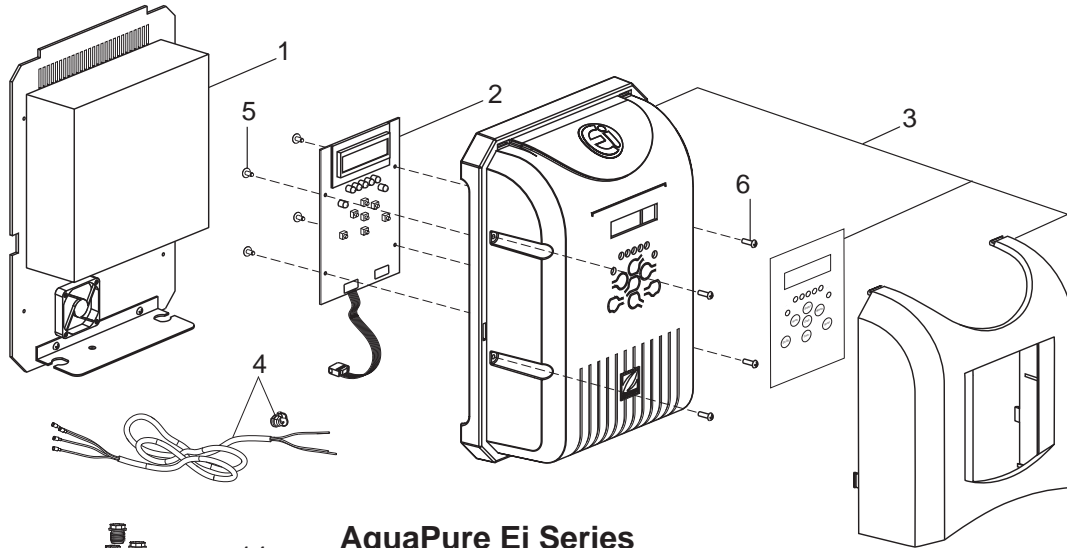
DuoClear Vessel

Key No.	Part No.	Description	Qty.
17	W202241	DuoClear 25 Electrode	1
18	W202251	DuoClear 35 Electrode	1
19	W202261	DuoClear 45 Electrode	1
20	W042071	Nature ² Locking Ring	1
21	W042081	Electrode Locking Ring	1
22	W042232	Vessel Assembly	1
23	W151201	Nature ² O-ring	1
24	W151211	Electrode O-ring	1
25	W26002	DuoClear 45K, 4/PK (All)	1
N/S	W041101	2" - 1 1/2" Reducing Bushings	
N/S	W043012	DuoClear Union (Single)	

N/S - Not Shown

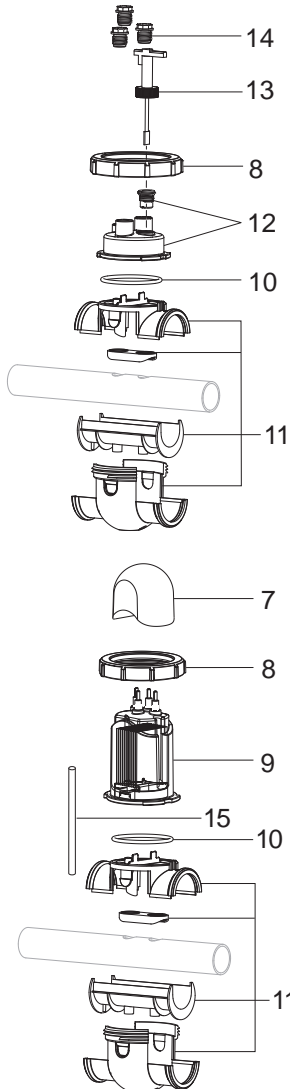
AquaPure® Ei™ Series Electronic Salt Water Chlorine Generator (Discontinued)

Part# APURE35, APURE35PLG



AquaPure Ei Series Power Pack Replacement Parts

Key No.	Part No.	Description	Qty.
1	R0512100	AquaPure Ei – Power PCB Assembly	1
2	R0512300	TS Control PCB Assembly	1
3	R0512400	Cover Assembly	1
4	R0512500	Output Cable Assembly (PHT)	1
5	R0512800	PCB Mtg Screws #4 x 1/4"	4
6	R0512900	Set Screw M3 x 12mm	4



AquaPure Ei Series Cell Replacement Parts

Key No.	Part No.	Description	Qty.
7	R0511200	Terminal Cap	1
8	R0511300	Locking Ring	1
9	R0511400	35 Electrode	1
10	R0511600	Main O-ring	1
11	R0511700	Saddle Clamp Assembly w/ Main O-ring	1
12	R0512000	Pod Housing	1
13	R0511900	Flow Switch	1
14	R0511800	Plugs	3
15	R0524100	Breather Tube	1
N/S	R0512600	Locking Ring Tool	1
N/S	R0512700	Winterizing Cup	1
N/S	R0519800	Goldline® cell adapter kit	1

N/S-Not Shown

VALVES



Valves	239
Valve Parts	242



Never Lube Valve, Large

Never Lube® Valve, Large Diverter

- Adjustable stop feature that allows for flow adjustment
- Lifetime Guarantee
- Placards that label valve position
- Made from durable CPVC
- Proprietary Never Lube technology
- Designed for easy automation

Part No. Description

4718	2½"–3" Positive Seal, 2-Port Valve
4719	2½"–3" Positive Seal, 3-Port Valve (Case quantity available; 4/case)



Placard



Index Tab

Never Lube Large Valve Accessory

R0465900	Placard (Set of 8) & Index Tab
----------	--------------------------------

LIFETIME
GUARANTEE
Jandy
Never Lube
Valves

Never Lube Valve, Standard Diverter

- Made from durable CPVC
- Lifetime Guarantee
- Proprietary Never Lube technology
- Designed for easy automation

Part No. Description

4715	1½"–2" Positive Seal, 3-Port Valve
4716	2"–2½" Positive Seal, 2-Port Valve
4717	2"–2½" Positive Seal, 3-Port Valve
4724	1½"–2" Positive Seal, 2-Port Valve
4944	2"–2½" Positive Seal, 3-Port (internal & external stops) B23
4945	1½"–2" Positive Seal, 3-Port (internal & external stops) B23

(Case quantity available; 12/case)



Never Lube Valve,
Standard

Gray Valve

- Grease cap eliminates need to disassemble valve for lubrication
- Made from durable CPVC

Part No. Description

1154	1½"–2" Positive Seal, 3-Port Valve
1157	1½"–2" Positive Seal, 2-Port Valve
2875	2"–2½" Positive Seal, 3-Port Valve
2876	2"–2½" Positive Seal, 2-Port Valve
2877	2"–2½" Non-Positive Seal, 3-Port Valve
3344	1½"–2" Non-Positive Seal, 3-Port Valve
4269	Lube Kit

(Case quantity available; 12/case)



Gray Valve



Space Saver Valve

Space Saver Valve, Diverter

- Shortened ports, ideal for tight plumbing situations
- Same flow capacity as Jandy Gray Valves
- Constructed of durable CPVC

Part No.	Description
3406	1½"–2" Positive Seal, 3-Port Valve
3407	1½"–2" Positive Seal, 2-Port Valve
3409	1½"–2" Non-Positive Seal, 2-Port Valve

(Case quantity available; 24/case)



Large Check Valve

Large Check Valve

- Large 2½"–3" size designed for high flow rates
- Clear lid with red seal for easy inspection
- Unique swing/spring design
- Disassembles for clearing debris
- Constructed of durable CPVC

Part No.	Description
NSF 7307	2½"–3" 180° Check Valve

(Case quantity available; 4/case)



Standard Check Valve

Standard Check Valve

- Chemical-resistant superalloy spring for use with salt chlorinators and chemical dosing systems
- Clear lid with red seal for easy inspection
- Unique swing/spring design for both return and intake water
- Disassembles for clearing debris
- Constructed of durable CPVC

Part No.	Description
7235	1½"–2" 180° Check Valve
7305	2"–2½" 180° Check Valve
7511	1½"–2" 90° Check Valve
7512	2"–2½" 90° Check Valve

(Case quantity available; 12/case)



Gold Standard Ball Valve

Gold Standard™ Ball Valve

- Constructed of durable PVC
- Highly resistant to chlorine

Part No.	Description
6952	¾" Standard Non-Union
6953	1" Standard Non-Union
6954	1½" Standard Non-Union
6955	1½" Standard Union
6956	2" Standard Non-Union
6957	2" Standard Union
7515	3" Non-Union
7516+	4" Non-Union

Ball Valve Replacement Handles

R0444500	Handle Replacement for Part Nos. 6954, 6955, 6956, 6957
----------	---

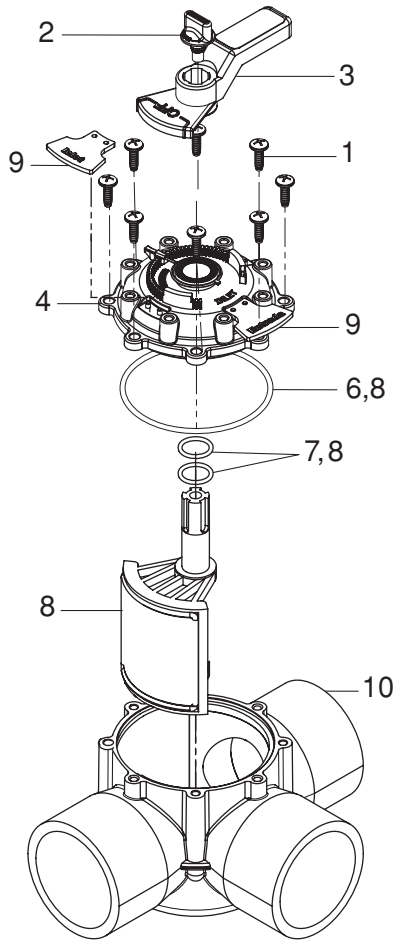


Valve Actuator

Valve Actuators

- New design with easier cam adjustment, PCB and hidden toggle switch
- 24 Volt valve actuator
- Automates any full size 2-way and 3-way diverter valves for pool/spa combinations and water features
- Can rotate diverters to any position
- Designed to work with all Zodiac® controls

Part No.	Description
4424	JVA 24 V, 180° Rotation
R0411800	JVA Power Cord, 20', new style
R0411900	JVA Power Cord, 75', new style
SMARTJVA	Smart JVA Board



Never Lube® Jandy® Valve, Large Diverter (2½" x 3" 3-Port)

Part# 4719

Key No.	Part No.	Description
1	R0547600	Screw Kit, #14 x ¾" Valve Housing, 8/PK
2	R0486900	Knob, Valve Handle
3	R0487200	Handle, Never Lube Valve
4	R0466100	Lid, 3-Port, 2½" x 3" Never Lube
6	R0465700	O-ring #2-154, Cover
7	R0487100	O-ring #2-116, Shaft
8	R0465800	Never Lube Diverter 2½" x 3"
9	R0465900	Placard and Index Tab, 8/PK
10	N/A	*Housing, 2½" x 3", 3-Port, Black

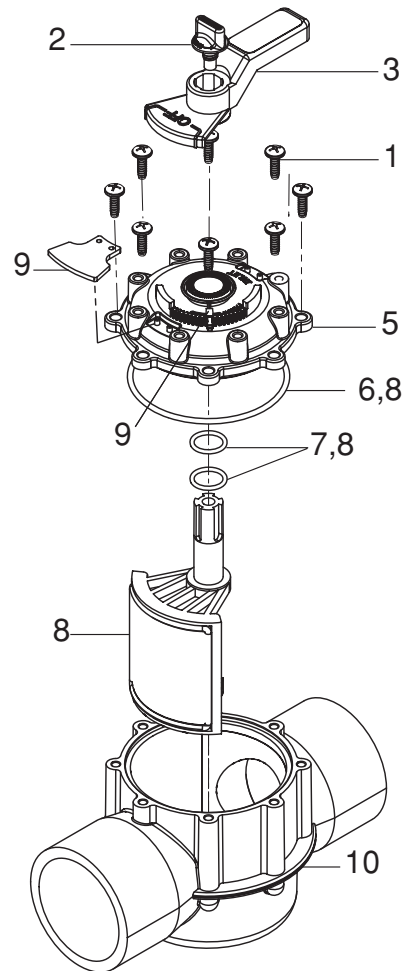
*Order complete valve N/A - Not Available

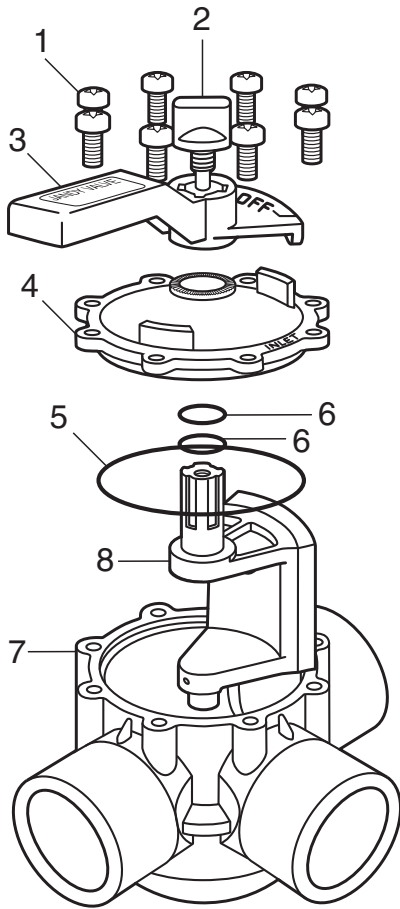
Never Lube Jandy Valve®, Large Diverter, (2½" x 3" 2-Port)

Part# 4718

Key No.	Part No.	Description
1	R0547600	Screw Kit, #14 x ¾" Valve Housing, 8/PK
2	R0486900	Knob, Valve Handle
3	R0487200	Handle, Never Lube Valve
5	R0468600	Lid, 2-Port, 2½" x 3", Never Lube
6	R0465700	O-ring #2-154, Cover
7	R0487100	O-ring #2-116, Shaft
8	R0465800	Never Lube Diverter 2½" x 3"
9	R0465900	Placard and Index Tab, 8/PK
10	N/A	*Housing, 2½" x 3", 2-Port, Black

*Order complete valve N/A - Not Available





Never Lube® Jandy® Valve, Large Diverter (1½"–2" / 2"–2½" 3-Port)

Part# 4715, 4717

Key No.	Part No.	Description
1	R0547600	Screw Kit, #14 x ¾" Valve Housing, 8/PK
2	R0486900	Knob, ABS, Black
3	R0487200	Handle Never Lube, Black
4	4606+	Cover, 3 Port, Black
5	1132+	O-ring, -151, Valve Cover
6	R0487100	O-ring, -116, Valve Shaft
7	N/A	*Housing, 1½"–2", 3-Port, Black
7	N/A	*Housing, 2"–2½", 3-Port, Black
8	4720	Never Lube Diverter Kit

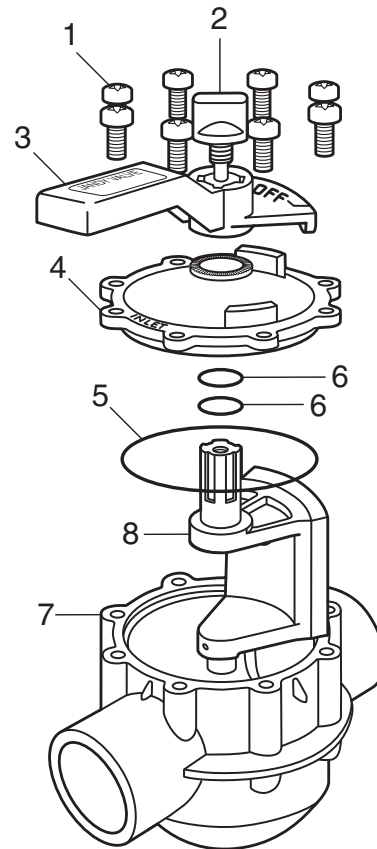
*Order complete valve N/A-Not Available

Never Lube Jandy Valve®, Standard Diverter (1½"–2" / 2"–2½" 2-Port)

Part# 4724, 4716

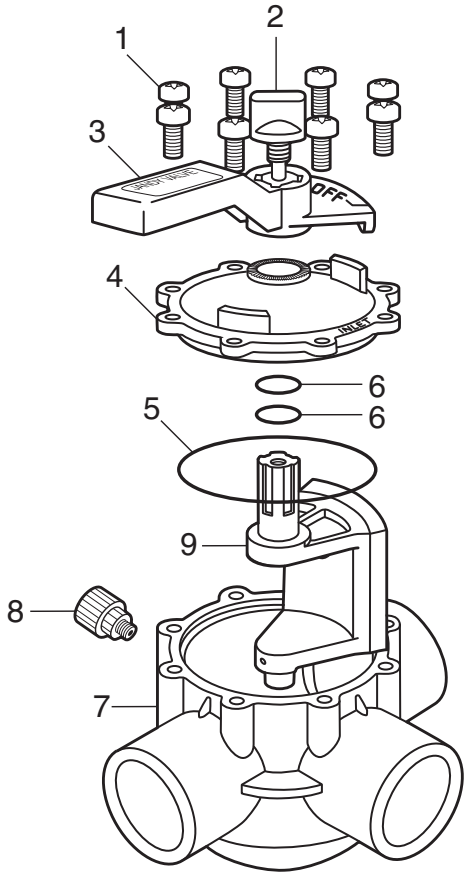
Key No.	Part No.	Description
1	R0547600	Screw Kit, #14 x ¾" Valve Housing, 8/PK
2	R0486900	Knob, ABS, Black
3	R0487200	Handle Never Lube, Black
4	4734+	Cover, 2 Port, Black
5	1132+	O-ring, -151, Valve Cover
6	R0487100	O-ring, -116, Valve Shaft
7	N/A	*Housing, 1½"–2", 2-Port, Black
7	N/A	*Housing, 2"–2½", 2-Port, Black
8	4720	Never Lube Diverter Kit

*Order complete valve N/A-Not Available



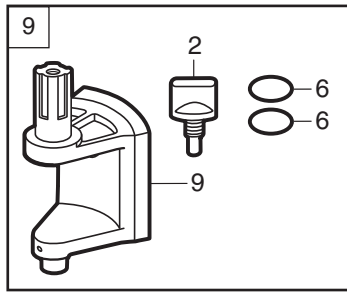
Gray Jandy Valve® (3-Port)

Part# 1154, 2875

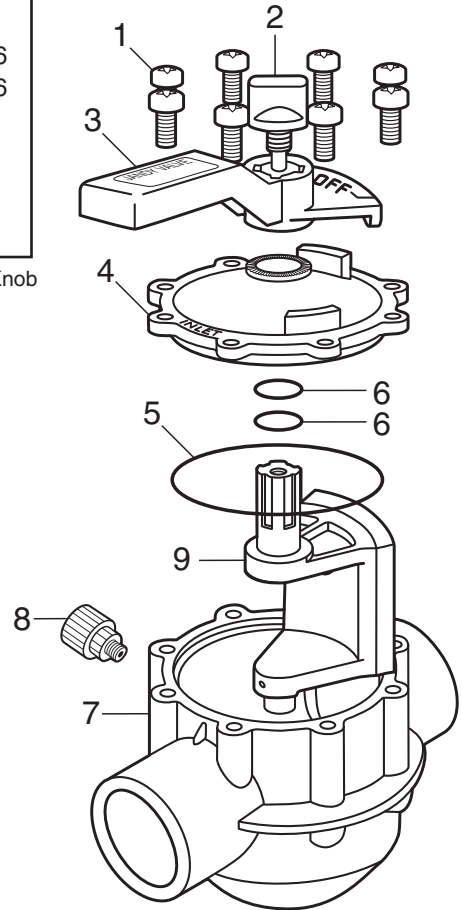


Key No.	Part No.	Description
1	R0547600	Screw Kit, #14 x 3/4" Valve Housing, 8/PK
2	R0487000	Knob, ABS
3	1301+	Handle, Gray
4	1303+	Cover, 3-Port
5	1132+	O-ring, -151, Valve Cover
6	R0487100	O-ring, -116, Valve Shaft
7	N/A	*Housing, 1½" - 2", 3-Port
7	N/A	*Housing, 2" - 2½", 3-Port
8	2133	Grease Cup Kit
9	4720	Never Lube Diverter Kit (Positive Seal)
9	3045	Diverter Assembly Includes Knob, Non-positive Seal (Gray Valve, Grease Type)
10	5009+	Pipe Plug P-18
N/S	4269	Lube Kit

*Order complete valve N/A - Not Available N/S - Not Shown



Diverter Assembly Complete w/ Knob (Positive Seal Part # 4720 and Non-Positive Part # 3045)



Jandy® Never Lube® 2-Port and Gray Valve

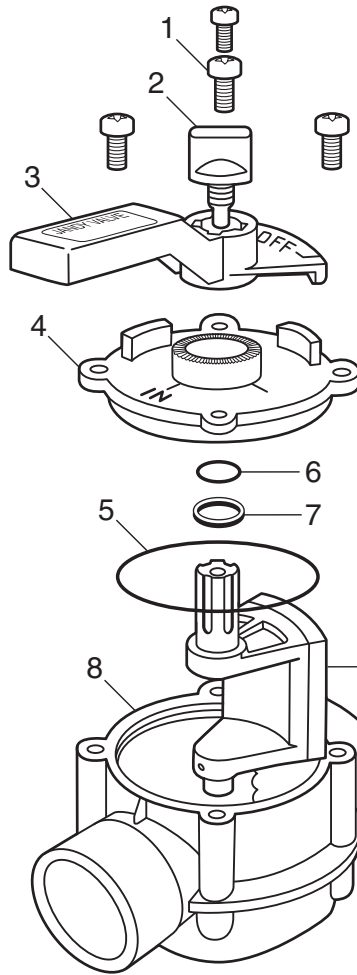
Part# 1157, 2876

Key No.	Part No.	Description
1	R0547600	Screw Kit, #14 x 3/4" Valve Housing, 8/PK
2	R0487000	Knob, ABS
3	1301+	Handle, Gray
4	1304+	Cover, 2-Port
5	1132+	O-ring, -151, Valve Cover
6	R0487100	O-ring, -116, Valve Shaft
7	N/A	*Housing, 1½" - 2", 2-Port
7	N/A	*Housing, 2" - 2½", 2-Port
8	2133	Grease Cup Kit
9	4720	Never Lube Diverter Kit (Positive Seal)
9	3045	Gray Valve Diverter Kit Includes Knob, Non-positive Seal (Gray Valve, Grease Type)
10	5009+	Pipe Plug P-18
N/S	4269	Lube Kit

*Order complete valve N/A - Not Available N/S - Not Shown

Space Saver Jandy® Valve, Diverter (1½"-2" 3-Port)

Part# 3406



Key No.	Part No.	Description
1	R0547600	Screw Kit, #14 x ¾" Valve Housing, 8/PK
2	R0487000	Knob, ABS
3	3500+	Space Saver Handle
4	3490+	Cover, 3-Port
5	6749+	O-ring, SSV -143
6	R0487100	O-ring, -116, Valve Shaft
7	3457	Diverter Seal Ring
8	N/A	*Space Saver Valve Housing, 3-Port (not shown)
9	3483	Diverter Assembly Complete Includes Knob, Positive Seal
9	3484	Diverter Assembly Complete Includes Knob, Non-positive Seal

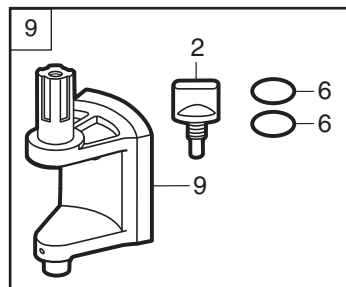
*Order complete valve N/A - Not Available

Space Saver Jandy Valve®, Diverter (1½"-2" 2-Port)

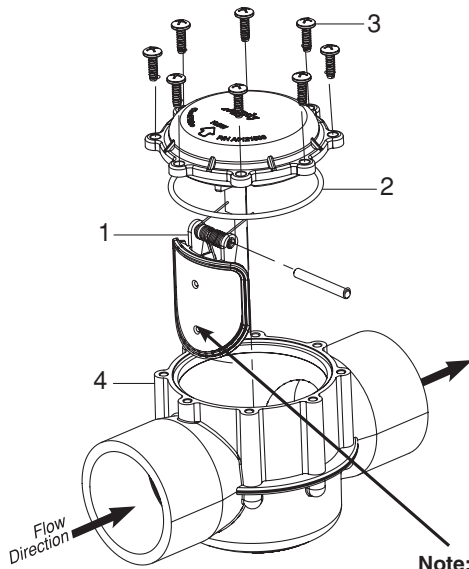
Part# 3407

Key No.	Part No.	Description
1	R0547600	Screw Kit, #14 x ¾" Valve Housing, 8/PK
2	R0487000	Knob, ABS
3	3500+	Space Saver Handle
4	3426	Cover, 2-Port
5	6749+	O-ring, SSV -143
6	R0487100	O-ring, -116, Valve Shaft
7	3457	Diverter Seal Ring
8	N/A	*Space Saver Valve Housing, 2-Port
9	3483	Diverter Assembly Complete Includes Knob, Positive Seal
9	3484	Diverter Assembly Complete Includes Knob, Non-positive Seal

*Order complete valve N/A - Not Available

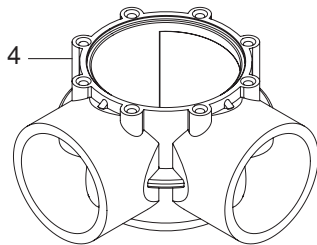


Diverter Assembly Complete w/ Knob
(Positive Seal Part # 3483 and
Non-Positive seal Part # 3484)



180° Valve Housing

OR



90° Valve Housing

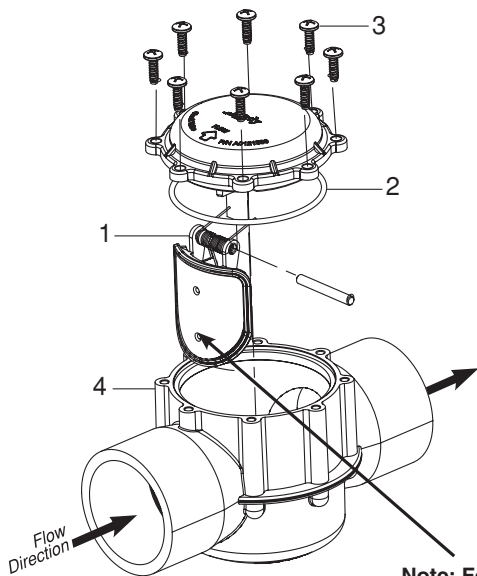
Standard Check Valve (1½"–2"/2–2½")

Part# 7235, 7305, 7511, 7512

Key No.	Part No.	Description
1	7056	Cover w/ Flapper Assembly Includes Flapper Assembly, Pin, Cover Spring and O-ring
2	1132+	O-ring, -151, Valve Cover
3	R0547600	Screw Kit, #14 x ¾" Valve Housing (Qty. 8)
4	N/A	*Housing, 1½" – 2", 2-Port (Black)
4	N/A	*Housing, 2" – 2½", 3-Port
4	N/A	*Housing, 90°, 1½" – 2"
4	N/A	*Housing, 90°, 2" – 2½"

*Order complete valve N/A - Not Available

**Note: For Replacement—Before installing,
make certain that the seal is not displaced
from the flapper.**



Large Check Valve (2½"–3")

Part# 7307

Key No.	Part No.	Description
1	R0466000	Cover w/ Flapper Assembly Includes Flapper Assembly, Pin, Cover Spring and O-ring
2	R0465700	O-ring, -241, Valve Cover
3	R0547600	Screw Kit, #14 x ¾" Valve Housing, 8/PK
4	N/A	*Housing, 2½" - 3", 2-Port (Black)

*Order complete valve N/A - Not Available

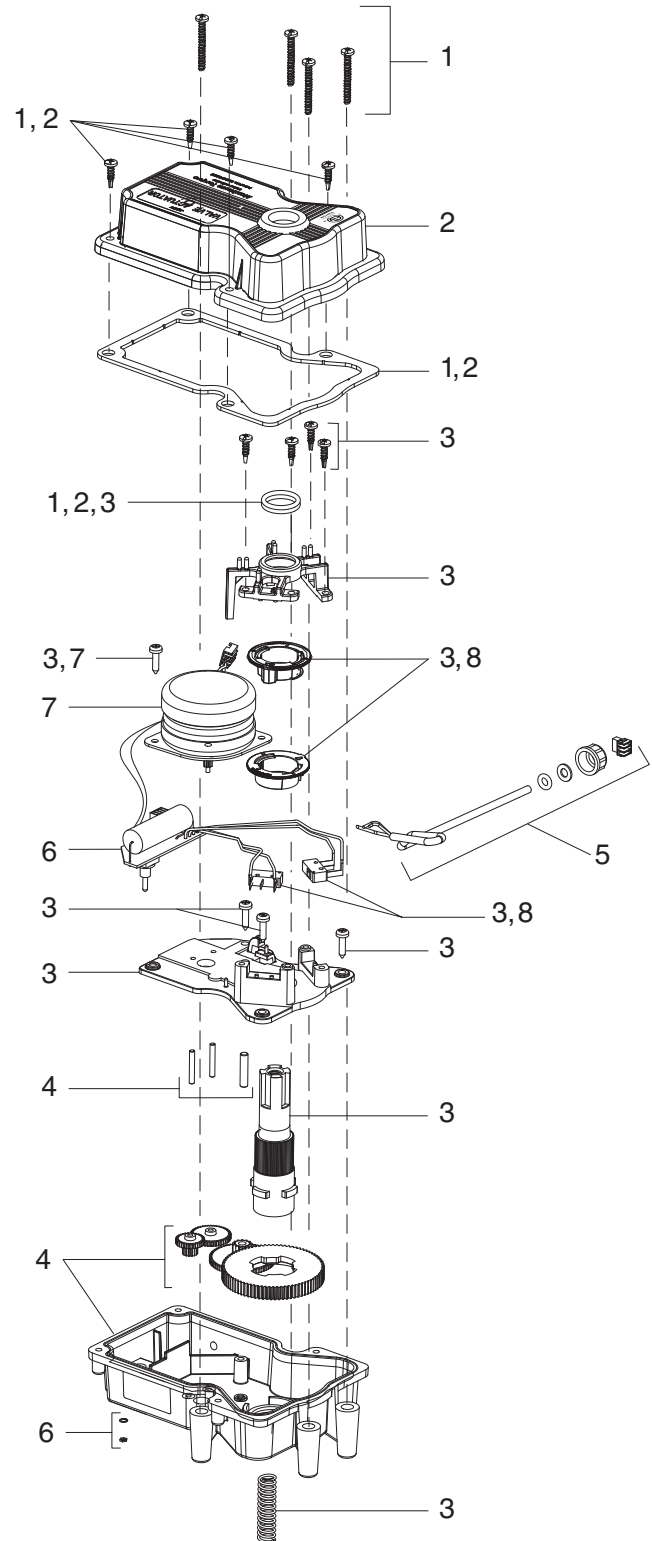
**Note: For Replacement—Before installing,
make certain that the seal is not displaced
from the flapper.**

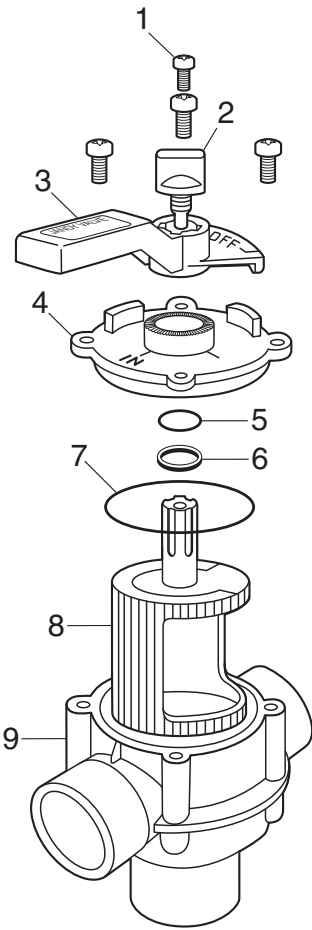
Jandy Valve® Actuators

Part# 4424

Key No.	Part No.	Description	Qty.
1	R0409600	JVA Gasket and Screw Kit	
		Gasket	1
		O-ring	2
		Screw, #14 x 2"	4
		Screw, #8 x 5/8"	4
2	R0411500	Top Housing Kit	
		Gasket	1
		O-ring	2
		Screw, #8 x 5/8"	4
		Housing, Top	1
3	R0408700	Center Plate Kit	
		O-ring	2
		Screw, #8 x 5/8"	8
		Bridge	1
		Top Cam (Clear)	1
		Bottom Cam (Textured)	1
		Microswitch	2
		Center Plate	1
		Output Shaft, Threaded	1
		Spring, JVA	1
4	R0411600	Gear Kit	
		Primary Gear	1
		Secondary Gear	1
		Large Pinion Gear	1
		Output Gear	1
		Housing, Bottom w/ 3 Pins	1
5	R0411800	Cable Kit, 20'	
		O-ring, Strain Relief	1
		Washer, Strain Relief	1
		Cap, Strain Relief	1
		Power Cord, 20' w/ 3-pin Connector	1
5	R0411900	Cable Kit, 75'	
		O-ring, Strain Relief	1
		Washer, Strain Relief	1
		Cap, Strain Relief	1
		Power Cord, 75' w/ 3-pin Connector	1
6	R0441700	PCB w/ Toggle Switch Kit	
		PCB Sub-Assembly, 24V w/ PCB, w/ Toggle Switch, Lock-washer and Nut	1
7	R0408500	Motor Kit	
		Screw, #8 x 5/8" Motor 24V, w/ Wire and Connector	1
8	R0408600	Cam and Microswitch Kit	
		Top Cam (Clear)	1
		Bottom Cam (Textured)	1
		Microswitch	1
N/S	R0553300	Shaft and Gear Kit	1

N/S-Not shown



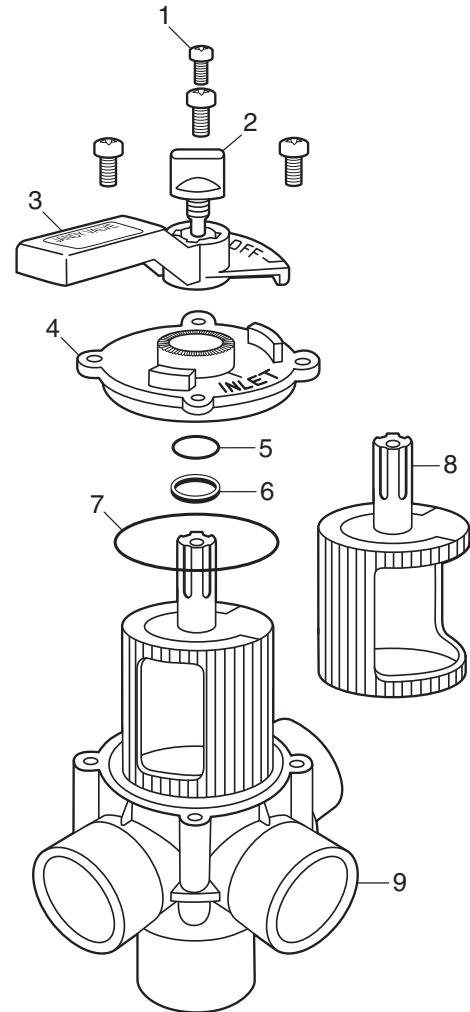


Jandy® 3-Port “T” Space Saver Valve (Discontinued)

Part# 3656

Key No.	Part No.	Description
1	R0547600	Screw Kit, #14 x ¾" Valve Housing, 8/PK
2	R0487000	Knob, ABS
3	3500+	Space Saver Handle
4	3546	Cover, 4-Port “T”
5	R0487100	O-ring, -116 Valve Shaft
6	3457	Diverter Seal Ring
7	6749	O-ring, -143, Space Saver Valve
8	N/A	Diverter, 3-Port and 4-Port Double
9	N/A	Housing, 3-Port “T”

N/A - Not Available



Jandy 4-Port Space Saver Spa Valve (Discontinued)

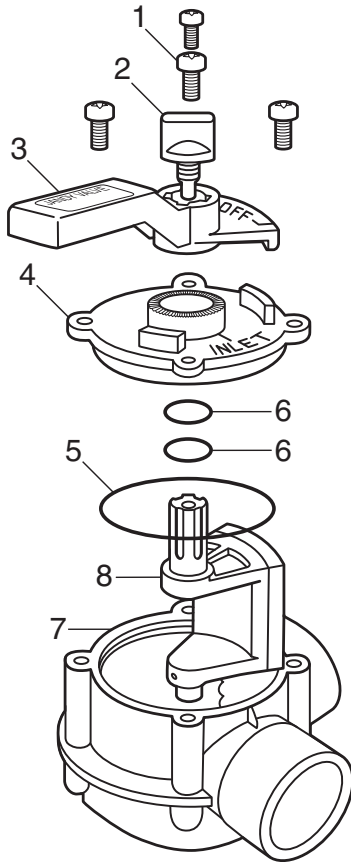
Part# 3550, 3551

Key No.	Part No.	Description
1	R0547600	Screw Kit, #14 x ¾" Valve Housing, 8/PK
2	N/A	Spa Knob Extension Shaft, 30"
3	N/A	Decorator Handle
4	3546	Cover, 4-Port “T”
5	R0487100	O-ring, -116 Valve Shaft
6	3457	Diverter Seal Ring
7	6749	O-ring, -143, Space Saver Valve
8	N/A	Diverter, 4-Port Single
or	N/A	Diverter, 3-Port and 4-Port Double
9	N/A	Housing, 4-Port

N/A - Not Available

Space Saver Jandy Valve® (1½" - 2") (Discontinued)

Part# 4371



Key No.	Part No.	Description
1	R0547600	Screw Kit, #14 x ¾" Valve Housing, 8/PK
2	R0487000	Knob, ABS
3	3500+	Space Saver Handle
4	3426	Cover, 2-Port
5	6749+	O-ring, SSV -143
6	R0487100	O-ring, -116, Valve Shaft
7	3457	Diverter Seal Ring
8	N/A	*Space Saver Valve Housing, 2-Port
9	3483	Diverter Assembly Complete Includes Knob, Positive Seal
9	3484	Diverter Assembly Complete Includes Knob, Non-positive Seal

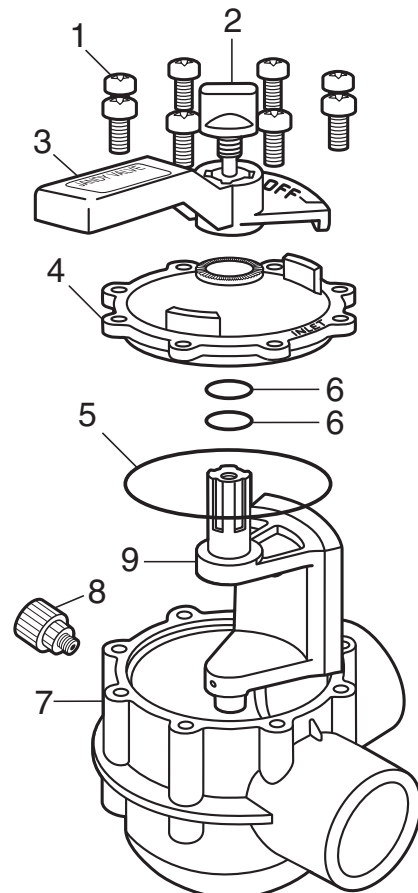
*Note: Order complete valve N/A - Not Available

Jandy® 90° Valve (Discontinued)

Part# 4367, 4369

Key No.	Part No.	Description
1	R0547600	Screw Kit, #14 x ¾" Valve Housing, 8/PK
2	R0487000	Knob, ABS
3	1301+	Space Saver Handle
4	1303+	Cover, 3-Port
5	1132+	O-ring, -151, Valve Cover
6	R0487100	O-ring, -116, Valve Shaft
7	N/A	*Housing, 90°, 1½" - 2"
7	N/A	*Housing, 90°, 2" - 2½"
8	2133	Grease Cup
9	4720	Never Lube® Diverter Kit

*Note: Order complete valve N/A - Not Available



Pumps

Filters

Heaters

Heat
Pumps

Automation

Water
Leveling

Water
Sanitizers

Valves

Water
Designs

Lighting

Cleaners

Accessories

CARETAKER™

in-floor cleaning system

The electronic 8-port valve has long provided pool owners with a powerful and dependable in-floor cleaning system. Ideal for larger pools or those with multiple features, this valve is the only electronic 8-port system on the market. With customizable runtimes, quicker cleaning, and less energy use, it boosts cleaning capacity to a level competitors can't touch.

THE POWERHOUSE OF THE INDUSTRY



CARETAKER is now manufactured in and distributed from Salt Lake City, Utah.
For more information, or to order CARETAKER products, please call
1-855-280-6465 or visit us online at caretakersystem.com.

WATER FEATURES



Waterfalls	255
Technical Information	262
Laminar Jets	265
Deck Jets	266
MiniJet®	267
Jet Parts	268
Fountains	270
Fountain Parts	271



Sheer Descent Cascade



Sheer Descent® Cascade

Sheer Descent Cascades produce a clear arc of water, projecting away from the pool wall. The flow can be adjusted to create a range of effects from an almost silent, glass-like sheet of water to a rushing mountain spring waterfall.

- Creates a clear sheet of water that descends gracefully to the pool surface
- PVC construction
- X-Baffle™ construction
- Clear lips to seamlessly blend into a variety of backgrounds.

Part No. Size Description

1" Standard Lip Waterfall - Back Feed

Clear Finish

1101C	1'	Sheer Descent, Clear Lip
1118C	18"	Sheer Descent, Clear Lip
1102C	2'	Sheer Descent, Clear Lip
1103C	3'	Sheer Descent, Clear Lip
1104C	4'	Sheer Descent, Clear Lip
1105C	5'	Sheer Descent, Clear Lip
1106C	6'	Sheer Descent, Clear Lip
1107C	7'	Sheer Descent, Clear Lip
1108C	8'	Sheer Descent, Clear Lip

1" Standard Lip Waterfall - Bottom Feed

Clear Finish

1001CBF	1'	Sheer Descent, Clear Lip
1018CBF	18"	Sheer Descent, Clear Lip
1002CBF	2'	Sheer Descent, Clear Lip
1003CBF	3'	Sheer Descent, Clear Lip
1004CBF	4'	Sheer Descent, Clear Lip

Note: Effective October 1, 2014, Zodiac Pool Systems, Inc. will no longer offer waterfalls longer than the sizes listed in the catalog.



Sheer Descent Cascade w/ Extended Lip



Sheer Descent Cascade w/ Extended Lip

Sheer Descent® Cascade with 6" Extended Lip

6" Extended lip waterfalls produce the same effect as the standard 1" lip Sheer Descent Cascade, but allow for installation of brick or stone on the face of the raised beam. Waterfalls with extended lips can be factory cut or are easily cut in the field to create custom radius curves. See the radius cut guidelines for complete details.

- Creates a clear sheet of water that descends gracefully to the pool surface
- PVC construction
- X-Baffle™ construction
- Clear lips to seamlessly blend into a variety of backgrounds.

Part No. Size Description

6" Extended Lip Waterfall - Back Feed

Clear Finish

1201C	1'	Sheer Descent, Clear Lip
1218C	18"	Sheer Descent, Clear Lip
1202C	2'	Sheer Descent, Clear Lip
1203C	3'	Sheer Descent, Clear Lip
1204C	4'	Sheer Descent, Clear Lip
1205C	5'	Sheer Descent, Clear Lip
1206C	6'	Sheer Descent, Clear Lip
1207C	7'	Sheer Descent, Clear Lip
1208C	8'	Sheer Descent, Clear Lip

90001 Factory Radius Cut
Please specify concave or convex and the radius size on the order form.

Note: Effective October 1, 2014 Zodiac Pool System, Inc. will no longer offer waterfalls longer than the sizes listed in the catalog.

6" Extended Lip Waterfall - Bottom Feed

Clear Finish

1601CBF	1'	Sheer Descent, Clear Lip
1618CBF	18"	Sheer Descent, Clear Lip
1602CBF	2'	Sheer Descent, Clear Lip
1603CBF	3'	Sheer Descent, Clear Lip
1604CBF	4'	Sheer Descent, Clear Lip

90001 Factory Radius Cut
Please specify concave or convex and the radius size on the order form.

Note: Effective October 1, 2014, Zodiac Pool Systems, Inc. will no longer offer waterfalls longer than the sizes listed in the catalog.



Sheer Descent Cascade w/ Extended Lip



Sheer Descent Cascade w/ Extended Lip

Sheer Descent® Cascade with 12" Extended Lip

12" Extended Lip Waterfall - Back Feed

Clear Finish

1401C	1'	Sheer Descent, Clear Lip
1418C	18"	Sheer Descent, Clear Lip
1402C	2'	Sheer Descent, Clear Lip
1403C	3'	Sheer Descent, Clear Lip
1404C	4'	Sheer Descent, Clear Lip
1405C	5'	Sheer Descent, Clear Lip
1406C	6'	Sheer Descent, Clear Lip

90001 Factory Radius Cut
Please specify concave or convex and the radius size on the order form.

12" Extended Lip Waterfall - Bottom Feed

Clear Finish

1301CBF	1'	Sheer Descent, Clear Lip
1318CBF	18"	Sheer Descent, Clear Lip
1302CBF	2'	Sheer Descent, Clear Lip
1303CBF	3'	Sheer Descent, Clear Lip
1304CBF	4'	Sheer Descent, Clear Lip

90001 Factory Radius Cut
Please specify concave or convex and the radius size on the order form.

Note: Effective October 1, 2014, Zodiac Pool Systems, Inc. will no longer offer waterfalls longer than the sizes listed in the catalog.



Sheer Descent Cascade w/ FiberFall



Sheer Descent® Cascade with FiberFall®

Lighted waterfalls that produce powerful sheets of water. Single units available.

Part No. Description

1" Standard Lip Fiberfall - Back Feed

FFWS24L	24" Installed with 15' of AD9 Cable
FFWS36L	36" Installed with (2) 15' of AD12 Cable
FFWS48L	48" Installed with (2) 15' of AD12 Cable

6" Standard Lip Fiberfall - Back Feed

FFWS24L-6	24" Installed with 15' of AD9 Cable
FFWS36L-6	36" Installed with (2) 15' of AD12 Cable
FFWS48L-6	48" Installed with (2) 15' of AD12 Cable

90001	Factory Radius Cut Please specify concave or convex and the radius size on the order form.
-------	---

Zodiac Pool Systems, Inc. does not recommend fiber longer than 15' from the light driver.

- **FiberFall cannot be cut in the field.**
- **Radius must be factory cut.**
- **Top of the fall and the acrylic lip, should never be exposed.**
- **Fiber optic light source is not included.**

*(150 Strand Equivalent) Fiber Optic Cable (AD9)

** (225 Strand Equivalent) Fiber Optic Cable (AD12)



Sheer Curtain



Sheer Curtain™

Sheer Curtain waterfalls produce a clear curtain of water that descends straight down from the unit. It is ideal for cantilever and swim-out installations. Note: If this product is installed on a wall, the wall will be saturated by water.

Part No. Size Description

6" Extended Lip Sheer Curtain Waterfall - Back Feed

Clear Finish		
1201CSC	1'	Sheer Curtain, Clear Lip
1218CSC	18"	Sheer Curtain, Clear Lip
1202CSC	2'	Sheer Curtain, Clear Lip
1203CSC	3'	Sheer Curtain, Clear Lip
1204CSC	4'	Sheer Curtain, Clear Lip

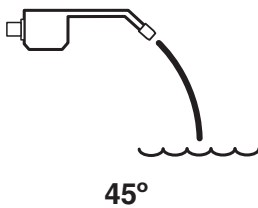
12" Extended Lip Sheer Curtain Waterfall - Back Feed

Clear Finish		
1401CSC	1'	Sheer Curtain, Clear Lip
1418CSC	18"	Sheer Curtain, Clear Lip
1402CSC	2'	Sheer Curtain, Clear Lip
1403CSC	3'	Sheer Curtain, Clear Lip
1404CSC	4'	Sheer Curtain, Clear Lip

Note: Effective October 1, 2014, Zodiac Pool Systems, Inc. will no longer offer waterfalls longer than the sizes listed in the catalog.



Sheer Descent Rain



Sheer Descent® Rain

Sheer Descent Rain waterfalls provide streams of water and project them away from the lip of the waterfall at a 45° angle. The “rain” effect creates a unique waterfall sight and sound. Water requirement for this product is eight (8) U.S. gallons per minute per foot (gpm/ft). The more water provided to the waterfall, the farther out from the wall the “rain” projects.

Part No. Size Description

6" Extended Lip Sheer Descent Rain Waterfalls - Back Feed

Clear Finish

1201CSR	1'	Sheer Rain, Clear Nozzle
1218CSR	18"	Sheer Rain, Clear Nozzle
1202CSR	2'	Sheer Rain, Clear Nozzle
1203CSR	3'	Sheer Rain, Clear Nozzle
1204CSR	4'	Sheer Rain, Clear Nozzle
1205CSR	5'	Sheer Rain, Clear Nozzle
1206CSR	6'	Sheer Rain, Clear Nozzle

12" Extended Lip Sheer Descent Rain Waterfalls - Back Feed

Clear Finish

1401CSR	1'	Sheer Rain, Clear Nozzle
1418CSR	18"	Sheer Rain, Clear Nozzle
1402CSR	2'	Sheer Rain, Clear Nozzle
1403CSR	3'	Sheer Rain, Clear Nozzle
1404CSR	4'	Sheer Rain, Clear Nozzle
1405CSR	5'	Sheer Rain, Clear Nozzle
1406CSR	6'	Sheer Rain, Clear Nozzle

Note: Effective October 1, 2014, Zodiac Pool Systems, Inc. will no longer offer waterfalls longer than the sizes listed in the catalog.



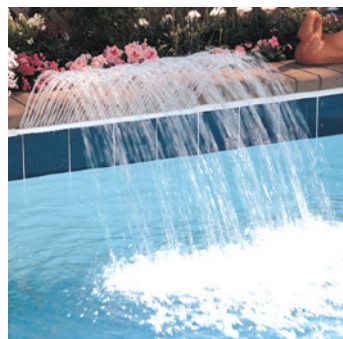
Sheer Arc Cascade



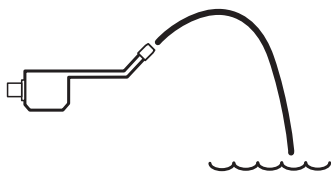
Sheer Arc™ Cascade

Sheer Arc Cascades can be positioned just above the waterline—no raised bond beam is required—making it perfect for vinyl liner pools. The fall projects up from the unit at a 45° angle and then naturally arcs and descends to the pool surface. Sheer Arc Cascades require double the water flow of a standard Sheer Descent® Waterfall. They require 20–30 gallons per minute per linear foot.

Part No.	Size	Description
6" Extended Lip Sheer Arc Cascade - Back Feed		
1201CSA	1'	Sheer Arc, Clear Lip
1218CSA	18"	Sheer Arc, Clear Lip
1202CSA	2'	Sheer Arc, Clear Lip



Sheer Arc Rain



Sheer Arc Rain

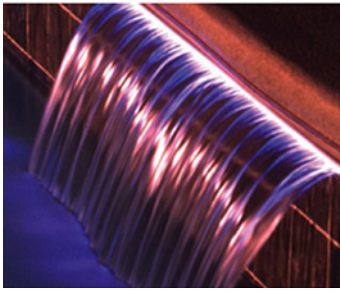
Sheer Arc Rain waterfalls can be positioned just above the waterline—no raised bond beam is required—making it perfect for vinyl liner pools. The fall projects up from the unit at a 45° angle and then naturally arcs and descends to the pool surface. Sheer Arc Rain Waterfalls come with clear nozzles only.

Part No.	Size	Description
6" Extended Lip Sheer Arc Rain Waterfall - Back Feed		
1201CRA	1'	Rain Arc, Clear Nozzle
1218CRA	18"	Rain Arc, Clear Nozzle
1202CRA	2'	Rain Arc, Clear Nozzle
1203CRA	3'	Rain Arc, Clear Nozzle
1204CRA	4'	Rain Arc, Clear Nozzle

Note: Effective October 1, 2014, Zodiac Pool Systems, Inc. will no longer offer waterfalls longer than the sizes listed in the catalog.

Sheer Arc Cascade/Rain Water Flow Requirements

			Waterfall Size				
Height	Projection	Pressure	1'	18"	2'	3'	4'
6"	30"	3 PSI	9 gpm	15 gpm	18 gpm	27 gpm	36 gpm
12"	60"	5 PSI	16 gpm	23 gpm	30 gpm	45 gpm	60 gpm



**Savi X-Stream
Lighted Waterfalls**



Savi® X-Stream Lighted Waterfalls

Create a smooth sheet of flowing water with a full color X-Stream LED light driver. The effects of this unique combination of water, light and sound creates a delightful pool and spa experience.

Part Number Size Description

X-Stream Falls with 10' Fiber and Jandy® Pro Series SOL LED Driver and 100' Cord

OAWF-12-XMS-100-J	1'	50 Strand Fiber
OAWF-18-XMS-100-J	18"	75 Strand Fiber
OAWF-24-XMS-100-J	2'	100 Strand Fiber
OAWF-36-XMS-100-J	3'	(2) 10' of 75 Strand Fiber
OAWF-48-XMS-100-J	4'	(2) 10' of 100 Strand Fiber

X-Stream Falls with 10' Fiber (2), Jandy® Pro Series SOL LED Drivers (2), and 100' Cord

OAWF-60-XMS-100-J	5'	(2) 10' of 150 Strand Fiber
OAWF-72-XMS-100-J	6'	(2) 10' of 150 Strand Fiber
OAWF-84-XMS-100-J	7'	(2) 10' of 200 Strand Fiber
OAWF-96-XMS-100-J	8'	(2) 10' of 200 Strand Fiber

X-Stream Falls with 10' Fiber, Light Driver Sold Separately*

OAWF-12-9-XS-10F	1'	10' Run of 50 Strand Fiber
OAWF-18-9-XS-10F	18"	10' Run of 75 Strand Fiber
OAWF-24-9-XS-10F	2'	10' Run of 100 Strand Fiber
OAWF-36-9-XS-10F	3'	(2) 10' Runs of 75 Strand Fiber
OAWF-48-9-XS-10F	4'	(2) 10' Runs of 100 Strand Fiber
OAWF-60-9-XS-10F	5'	(2) 10' Runs of 150 Strand Fiber
OAWF-72-9-XS-10F	6'	(2) 10' Runs of 150 Strand Fiber
OAWF-84-9-XS-10F	7'	(2) 10' Runs of 200 Strand Fiber
OAWF-96-9-XS-10F	8'	(2) 10' Runs of 200 Strand Fiber

*Waterfalls 5' in length and longer require 2 light drivers

Part Number Cord Length Description

X-Stream LED Drivers

SAVI-XMS-DRIV100-J	100'	JPS Series Driver
SAVI-XMS-DRIV150-J	150'	JPS Series Driver
SAVI-XMS-DRIV100	100'	SAVI SOL Series Driver
SAVI-XMS-DRIV150	150'	SAVI SOL Series Driver
SAVI-XBP-DRIV100	100'	SAVI White Only Driver
SAVI-XBP-DRIV150	150'	SAVI White Only Driver
SAVI-XMS-DRIV100-P	100'	SOL LED Driver - P Series Driver
SAVI-XMS-DRIV150-P	150'	SOL LED Driver - P Series Driver
SAVI-XMS-DRIV100-H	100'	SOL LED Driver - H Series Driver
SAVI-XMS-DRIV150-H	150'	SOL LED Driver - H Series Driver



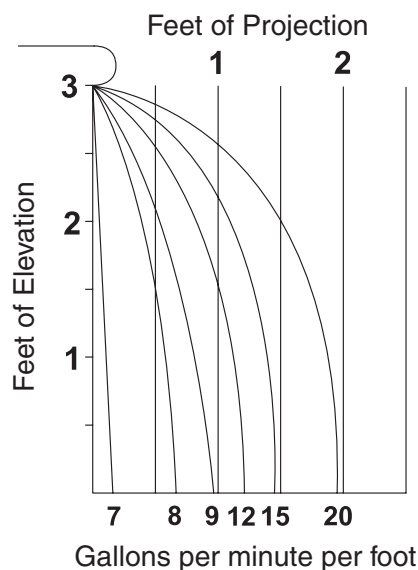
**Savi X-Stream
LED Drivers**

Waterfall Height Specification

Waterfalls naturally narrow as they fall. **Waterfalls should not be installed more than 3½ feet above the water surface or the sheet will start to break up.**



Hydraulic Guideline Chart



Suction (SUC) and Discharge (DIS) Water Flow Chart for PVC		
Pipe Size	Max SUC Flow*	Max DIS Flow**
1½"	37 GPM	50 GPM
2"	62 GPM	82 GPM
2½"	88 GPM	117 GPM
3"	136 GPM	180 GPM
4"	234 GPM	313 GPM

*Based on 6' per second velocity. **Based on 8' per second velocity.

Guideline is for 1 ft. to 4 ft. models

Pump Sizing and Installation Options

One of the advantages of Zodiac® Waterfalls is the ability to provide a continuous sheet of water with minimum water flow. A standard 4 ft. model, for example, requires only 48 gallons per minute to operate. In order to size your pump properly, refer to the Water Flow Requirement Chart. In most cases, a properly sized, standard swimming pool pump will operate the waterfall and filter the pool with little loss of total water turnover. As a general rule, Zodiac waterfalls requires approximately 12 gallons per minute per foot with little head loss. To project the waterfall further away from the wall, apply more gallons per minute.



Use Jandy® Pro Series
Water Feature Pump

WFTR80	Water Feature Medium Head Pump, 230/115 VAC	80 GPM
WFTR120	Water Feature Medium Head Pump, 230/115 VAC	120 GPM
WFTR160	Water Feature Medium Head Pump, 230/115 VAC	160 GPM

NOTE: When plumbing multiple falls, add the total length of waterfalls together to determine GPM required. Example: two (2) 6' units equals 12 feet of waterfall, which requires 144 gallons per minute.

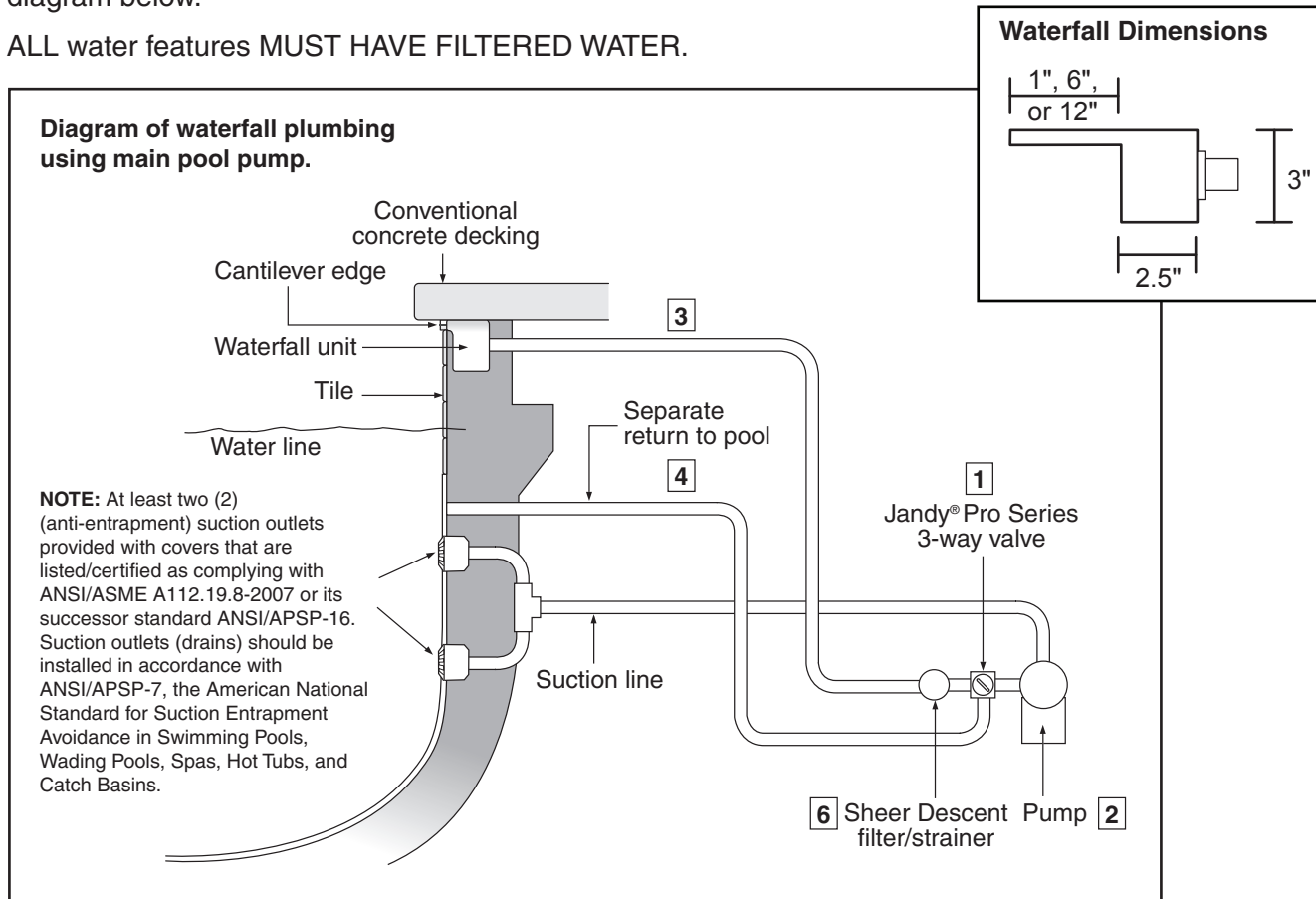
Installing the waterfall using the main pool filter pump is the most common plumbing system due to the unique low flow aspect of the waterfall system. Plumb a 3-way valve (1) on the return line, after the filter (2), and plumb the waterfall feed line (3) in a minimum of 1½" PVC schedule 40 pipe. Units greater than 5' in length need a minimum of 2" plumbing.

We recommend installing a separate pump when installing multiple waterfalls or a waterfall 6' or longer. When plumbing a pump dedicated for use by the waterfall, a separate suction line (4) to the pool must be plumbed. This should be plumbed in a minimum of 2" schedule 40 pipe.

Install at least two (2) (anti-entrapment) suction outlets (5) provided with covers which are listed/certified as complying with ANSI/ASME® A112.19.8–2007 or its successor standard ANSI/APSP-16. Suction outlets (drains) should be installed in accordance with ANSI/APSP–7, the American National Standard for Suction Entrapment Avoidance in Swimming Pools, Wading Pools, Spas, Hot Tubs, and Catch Basins. The anti-entrapment suction cover is recommended to be positioned 18" above the floor of the pool.

Next, a Sheer Descent® filter/strainer (part# 3456) (6), or equivalent, must be installed on the return side of the pump, between the pump and the waterfall. A FILTER IS REQUIRED for separate pump installation, as debris (hair and lint) must not be allowed to enter the waterfall unit. For installations requiring up to 60 gallons per minute, use one Sheer Descent filter. For higher water requirements, use two (2) or more filters plumbed in parallel and a separate return line with a 3-way valve plumbed so that water can be balanced between the waterfall and return back to the pool. See plumbing diagram below.

ALL water features MUST HAVE FILTERED WATER.



Waterfall Radius Cut Guidelines

Extended lip waterfalls can be custom cut in the field to meet specific needs such as curves, irregular shapes, etc. In order to custom fit the waterfall, carefully measure the amount of extended lip to be removed. Remember to leave enough room for tile and thin set, so the deepest edge of the radius cut will not be recessed from the tile line.

NOTE: Never remove more than 4½" of the extended lip, leaving a minimum of 1½" of lip. See figure 1. Remove the Lip Protector prior to cutting the waterfall. Remember to replace the Lip Protector after cutting the radius to protect the fall from construction debris. When designing custom cuts, please refer to the Minimum Radius Guidelines Table below to select the correct waterfall model.

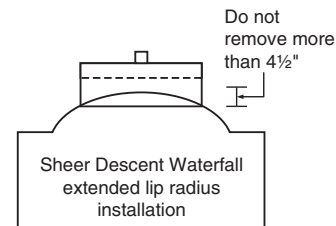
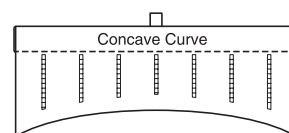
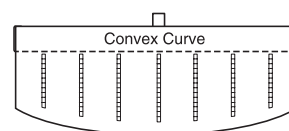


Figure 1

		Waterfall Length								
		1'	18"	2'	3'	4'	5'	6'	7'	8'
Radius Size	1'	6" Lip	6" Lip	N/A	N/A	N/A	N/A	N/A	N/A	N/A
	1.5'	6" Lip	6" Lip	6" Lip	N/A	N/A	N/A	N/A	N/A	N/A
	2'	6" Lip	6" Lip	6" Lip	12" Lip	N/A	N/A	N/A	N/A	N/A
	2.5'	6" Lip	6" Lip	6" Lip	12" Lip	N/A	N/A	N/A	N/A	N/A
	3'	6" Lip	6" Lip	6" Lip	6" Lip	12" Lip	N/A	N/A	N/A	N/A
	3.5'	6" Lip	6" Lip	6" Lip	6" Lip	12" Lip	N/A	N/A	N/A	N/A
	4'	6" Lip	6" Lip	6" Lip	6" Lip	12" Lip	12" Lip	N/A	N/A	N/A
	4.5'	6" Lip	6" Lip	6" Lip	6" Lip	12" Lip	12" Lip	N/A	N/A	N/A
	5'	6" Lip	6" Lip	6" Lip	6" Lip	12" Lip	12" Lip	N/A	N/A	N/A
	5.5'	6" Lip	6" Lip	6" Lip	6" Lip	6" Lip	12" Lip	N/A	N/A	N/A
	6'	6" Lip	6" Lip	6" Lip	6" Lip	6" Lip	12" Lip	12" Lip	N/A	N/A
	6.5'	6" Lip	6" Lip	6" Lip	6" Lip	6" Lip	12" Lip	12" Lip	N/A	N/A
	7'	6" Lip	6" Lip	6" Lip	6" Lip	6" Lip	12" Lip	12" Lip	N/A	N/A
	7.5'	6" Lip	6" Lip	6" Lip	6" Lip	6" Lip	12" Lip	12" Lip	N/A	N/A
	8'	6" Lip	6" Lip	6" Lip	6" Lip	6" Lip	6" Lip	12" Lip	12" Lip	N/A
	8.5'	6" Lip	6" Lip	6" Lip	6" Lip	6" Lip	6" Lip	12" Lip	12" Lip	N/A
	9'	6" Lip	6" Lip	6" Lip	6" Lip	6" Lip	6" Lip	12" Lip	12" Lip	N/A
	9.5'	6" Lip	6" Lip	6" Lip	6" Lip	6" Lip	6" Lip	12" Lip	12" Lip	12" Lip
	10'	6" Lip	6" Lip	6" Lip	6" Lip	6" Lip	6" Lip	12" Lip	12" Lip	12" Lip
10.5'	6" Lip	6" Lip	6" Lip	6" Lip	6" Lip	6" Lip	12" Lip	12" Lip	12" Lip	
11'	6" Lip	6" Lip	6" Lip	6" Lip	6" Lip	6" Lip	6" Lip	12" Lip	12" Lip	
11.5'	6" Lip	6" Lip	6" Lip	6" Lip	6" Lip	6" Lip	6" Lip	12" Lip	12" Lip	
12'	6" Lip	6" Lip	6" Lip	6" Lip	6" Lip	6" Lip	6" Lip	12" Lip	12" Lip	
12.5'	6" Lip	6" Lip	6" Lip	6" Lip	6" Lip	6" Lip	6" Lip	12" Lip	12" Lip	
13'	6" Lip	6" Lip	6" Lip	6" Lip	6" Lip	6" Lip	6" Lip	12" Lip	12" Lip	



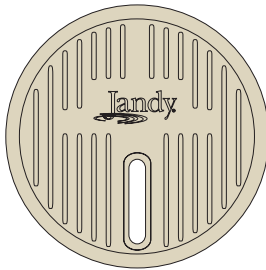
Note: Effective October 1, 2014, Zodiac Pool Systems, Inc. will no longer offer factory radius cuts on waterfalls longer than the sizes listed in the catalog.



Laminar Jets with LED

Laminar Jets with LED create spectacular backyard water entertainment with dazzling nighttime lighting effects. They produce clear or lighted arcs of water as they silently enter your pool or spa.

- Laminar Jets with LED come standard with a built-in 12V LED light module
- Laminar Jets interface easily with Aqualink® controllers to synchronize with Watercolors LED Pool and Spa Lights
- Laminar Jets are easily adjusted at the deck to create arcs of water up to 7 ft. high and can project 8 ft. into the pool. Flow can be adjusted with an innovative internal flow adjustment valve conveniently located inside the canister for easy adjustment and tuning



Pebble
Included



Pewter

Part No.	Description
JLLED	Laminar Jet with Pebble Lid, Deck Ring, Canister and LED Light Module with 100' of Electrical Cable
JLFBR	Laminar Jet with Lid, Deck Ring, Canister and Fiber Optic Ready Module
JLPBBL	Lid and Collar, Pebble
JLPWTR	Lid and Collar, Pewter

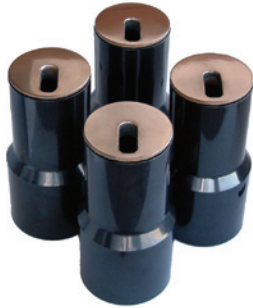


Deck Jets

Deck Jets create shimmering arcs of water from the deck into the pool or spa. Polished bronze composite coverplates provide a rich finish to the installed jets. The Deck Jets can be installed in almost any combination, and since they can be adjusted 360°, the dazzling effects they create can be changed again and again to meet your customer's mood.

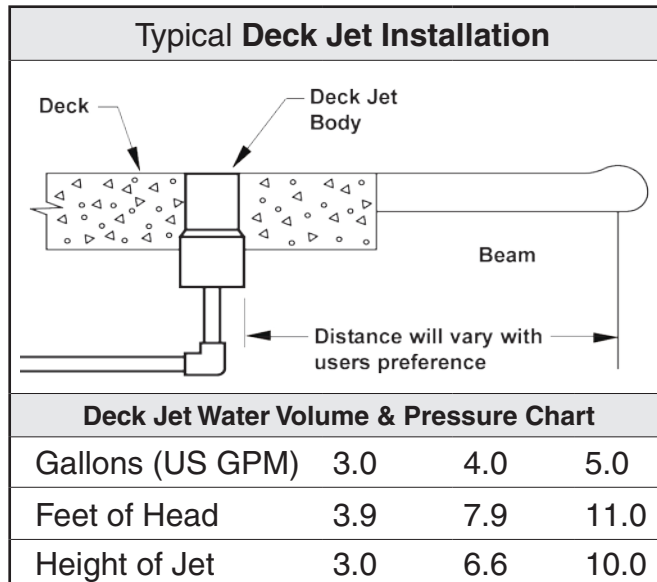
The Deck Jets are packed in a set of four and include a pressure plug along with the polished bronze composite deck coverplates. They are 2½ inches in diameter.

- Polished bronze composite coverplates provide an elegant finish
- Fully adjustable (up to 360°) swivel nozzles
- Packaged in a set of four. Includes pressure testing plug



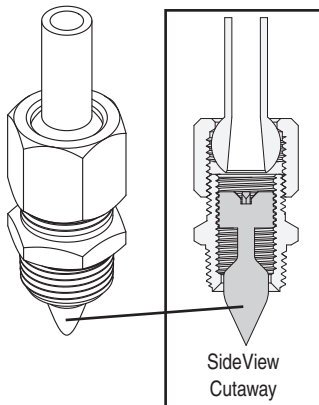
Deck Jets

Part No.	Description
JDJ2004	Deck Jets, 4/PK
R0560400	Nozzle Replacements, 4/PK
R0561200	Coverplates, 4/PK, Bronze

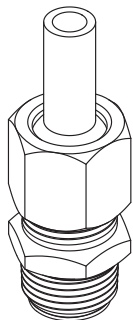




MiniJet



FlowControl Nozzle



Comet Nozzle

MiniJet

The MiniJet is designed to project a stream of water from 30° to 60° angle of trajectory for a distance of up to 13 feet from the deck or under the coping. FlowControl Nozzle provides flow adjustability at the nozzle.

- Can be mounted in the deck or pool wall.
- Adjustable angle between 30–60°.
- Projects up to 13 feet.
- 8 cover plates to match the most popular pool finishes.

Part No.	Description
FCMJ1000	FlowControl, Adjustable Nozzle MiniJet, Complete (pack of 4 with FlowControl Nozzles, includes 4 brass and 4 white cover plates)
FFMJ	Standard Minijet Niche with Comet Nozzle for Gunite Pools, (single unit – includes white cover plate)
FFMJ-VL	MiniJet Niche with Comet Nozzle for Vinyl Pools (single unit – includes white cover plate)
FFMJ-FN1	MiniJet Fan Nozzle, 3/8" (single unit – includes white cover plate) – projects a fan shape
FFMJ-FN2	MiniJet Fan Nozzle, 1/2" (single unit – includes white cover plate) – projects a fan shape

MiniJet Nozzles

Part No.	Description
FCMJ1050	FlowControl, Adjustable Nozzle with Adjustment Tool
OA89012A	FlowControl Nozzle -provide flow adjustability -opening of 0.24 -projects 13' 1"
OA89009	Nozzle, Comet 3–3T (3/8") -projects a round shape -opening of 0.12" -projects 6' 6"
OA89012	Nozzle, Comet 3–6T (3/8") -projects a round shape -opening of 0.24" -projects 13' 1"

MiniJet® Parts

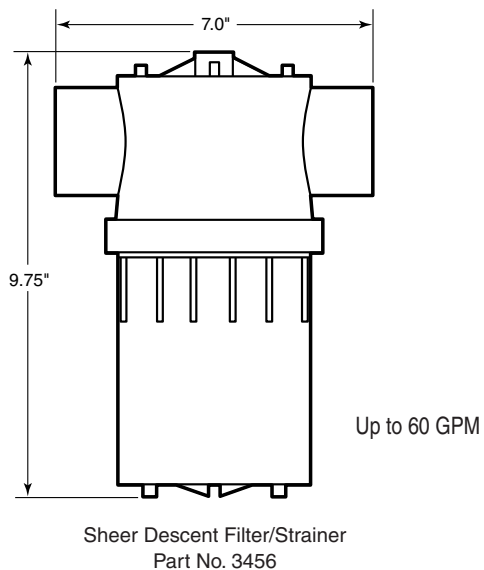
Part No.	Description
MJ10	MiniJet Conversion w/ White Cover Plate, Screws, Comet Nozzle (3-6T)
FJ10	FanJet Conversion w/ White Cover Plate, Screws, FanJet Nozzle (3/8")
MJ6300	MiniJet Cover Plate, Screws, White
MJ6320	MiniJet Cover Plate, Screws, Dove Gray
MJ6330	MiniJet Cover Plate, Screws, Beige
MJ6350	MiniJet Cover Plate, Screws, Black
MJ6370	MiniJet Cover Plate, Screws, Brass
MJ6170	MiniJet Cover Plate, Blue, Light Gray, Rust Marble Finish
MJ6180	MiniJet Cover Plate, Green, Rust, Blue Marble
MJ6190	MiniJet Cover Plate, Beige, Brown Marble
V100	Vinyl Pool MiniJet Cap, Screws, White
FCMJ6400	FlowControl Adjustment Tool Replacement

Deck Jets Parts

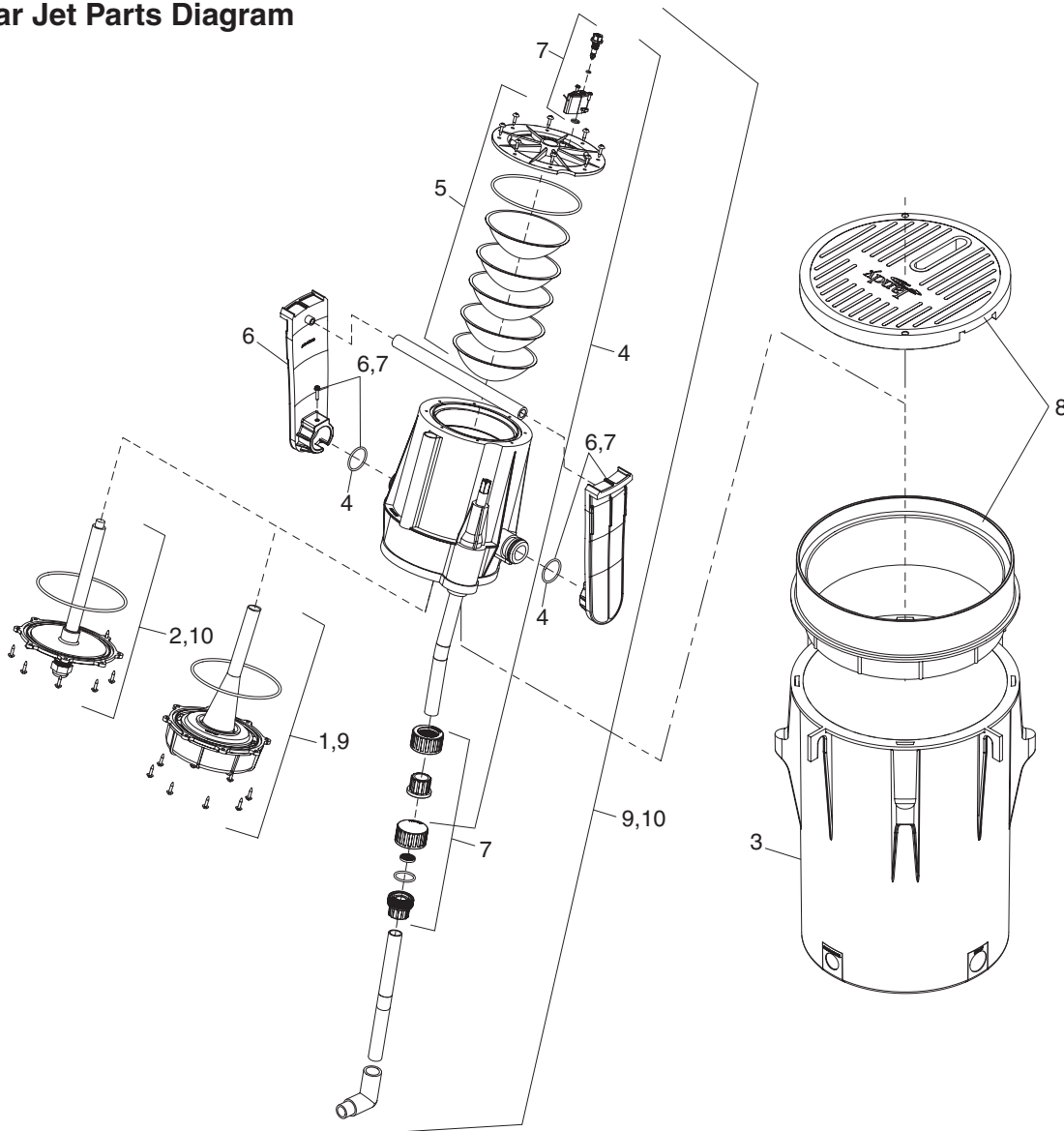
Part No.	Description
R0561200	Replacement Coverplate, 4/PK
R0560400	Nozzle Replacements, 4/PK

Water Feature Accessories

Part No.	Description
3456	Sheer Descent® Filter/Strainer
5000J	Sheer Descent Repair Kit



Laminar Jet Parts Diagram



Key No.	Part No.	Description
1	R0488800	LED Light Engine Assembly, Laminar Jet
2	R0488900	Fiber Optic Assembly, Laminar Jet
3	R0489100	Deck Canister, Laminar Jet
4	R0489200	Jet Assembly, Laminar Jet (No Light Module)
5	R0489300	Cover and Screens (5), Laminar Jet Assembly
6	R0489500	Mounting Brackets and Hardware, Laminar Jet
7	R0490000	Rebuild Kit, All Hardware, Scratcher, Finger Screen
8	JLPBBL	Lid and Collar, Pebble, Laminar Jet,
8a	JLPWTR	Lid and Collar, Pewter, Laminar Jet
9	R0499900	Laminar Jet w/ LED light Retrofit Kit
10	R0500300	Laminar Jet w/ Fiber Optic Retrofit Kit



SpaFountain

SpaFountain

For use in spas or pools. Fountain head with unique swivel base.

Part No.	Description
7-235-00	SpaFountain Level Adjustable Fountain Head for Stub Pipe in Spas or Ponds



WaterStars

WaterStars®

Instantly adds the beauty of a fountain to a pool.

Part No.	Description
7-400-00	WaterStars Fountain



WaterStars WF

WaterStars WF

Creates a water display that is located at the pool wall.

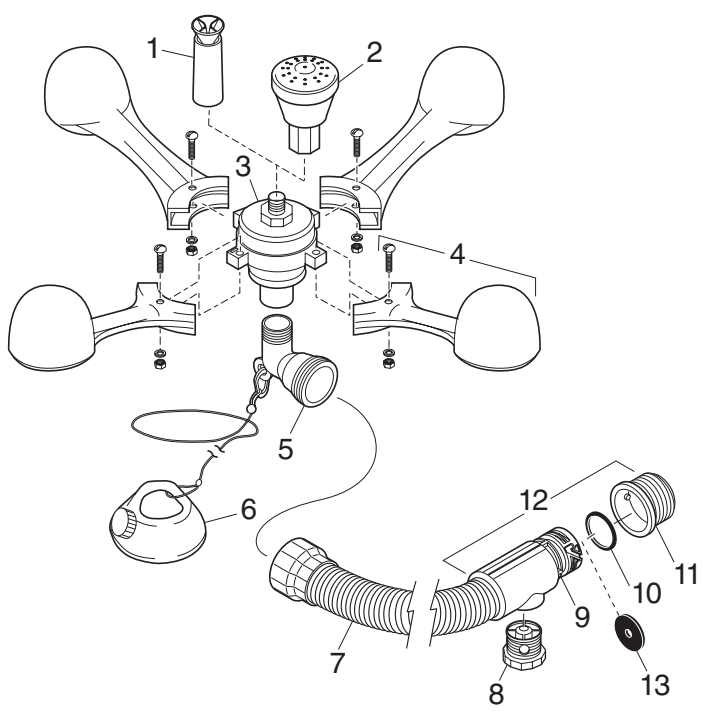
Part No.	Description
11-100-00	WaterStars WF Fountain (Wall-Mounted)

WaterStars® Parts Diagram

Part #7-400-00

Key No.	Part No.	Description	Qty.
1	7-240-00	Fountain Head, Glory	1
2	7-230-00*	Fountain Head, 3-Tier	1
3	7-225-00	Center Assembly	1
4	7-200-00	Pod	4
5	7-260-00	Elbow	1
6	7-270-00	Anchor Assembly	1
7	7-310-00*	Hose Kit, 10 ft.	1
8	11-203-00	Adjustable Plug, Universal Wall Fitting (UWF®)	1
9	6-502-00	Quick Disconnect, UWF	1
10	6-505-00*	O-ring, UWF/QD	1
11	6-500-00*	UWF	1
12	7-295-00	UWF Connector Assembly	1
13	11-103-00	Restrictor Washer	1

*Suggested stocking parts.

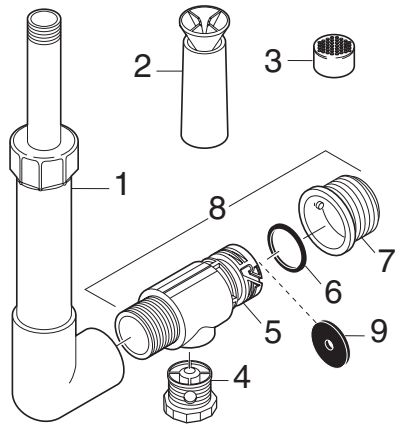


WaterStars WF Parts Diagram

Part #11-100-00

Key No.	Part No.	Description	Qty.
1	11-204-00	Riser	1
2	11-201-00	Glory Head	1
3	11-200-00	Flower Head	1
4	11-203-00	Adjustable Plug, UWF	4
5	11-205-00	Quick Disconnect, UWF	1
6	6-505-00*	O-ring, UWF/QD	1
7	6-500-00*	Universal Wall Fitting (UWF)	1
8	11-202-00	UWF Connector Assembly	1
9	11-103-00	Restrictor Washer	1

*Suggested stocking parts.





LIGHTING



Lighting	275
Lighting Accessories	282
Lighting Parts	285

Jandy® Pro Series Nicheless Underwater LED Lighting

Rich, vibrant, energy-efficient lighting solutions.

Features:

- 9 vibrant colors and 5 light shows (RGBW WaterColors Lights)
- Low voltage (12VAC)
- Three power levels for ultimate flexibility
- 100% non-metallic, no bonding required
- Mounts directly to 1½" return fitting



LED Underwater Lights, RGBW



LED Underwater Lights, White Only



Lighted Bubbler

Part No.	Max. Watts	Cord Length
RGBW Watercolors		
JLU4C9W50	9W	50'
JLU4C9W100	9W	100'
JLU4C9W150	9W	150'
JLU4C20W50	20W	50'
JLU4C20W100	20W	100'
JLU4C20W150	20W	150'
JLU4C30W50	30W	50'
JLU4C30W100	30W	100'
JLU4C30W150	30W	150'
White Only		
JLUW9W50	9W	50'
JLUW9W100	9W	100'
JLUW9W150	9W	150'
JLUW20W50	20W	50'
JLUW20W100	20W	100'
JLUW20W150	20W	150'
JLUW30W50	30W	50'
JLUW30W100	30W	100'
JLUW30W150	30W	150'
Lighted Bubbler		
JLB4C20W100	20W	100'
JLB4C20W150	20W	150'
JLBW20W100	20W	100'
JLBW20W150	20W	150'



LED Underwater Lights

SAVI® LED Underwater Lighting

Rich, vibrant, energy efficient lighting solutions.



Features:

- RGBW Technology
- Low voltage (12VAC)
- Three power levels for ultimate flexibility
- 100% non-metallic, no bonding required
- Mounts directly to 1½" return fitting

Item	Max. Watts	Cord Length	S Series Part No.	P Series Part No.	H Series Part No.
RGBW Color					
RGBW Mini Melody	9W	50'	SAVMIN50S	SAVMIN50P	SAVMIN50H
RGBW Mini Melody	9W	100'	SAVMIN100S	SAVMIN100P	SAVMIN100H
RGBW Mini Melody	9W	150'	SAVMIN150S	SAVMIN150P	SAVMIN150H
RGBW Melody	20W	50'	SAVMEL50S	SAVMEL50P	SAVMEL50H
RGBW Melody	20W	100'	SAVMEL100S	SAVMEL100P	SAVMEL100H
RGBW Melody	20W	150'	SAVMEL150S	SAVMEL150P	SAVMEL150H
RGBW Sol	30W	50'	SAVSOL50S	SAVSOL50P	SAVSOL50H
RGBW Sol	30W	100'	SAVSOL100S	SAVSOL100P	SAVSOL100H
RGBW Sol	30W	150'	SAVSOL150S	SAVSOL150P	SAVSOL150H
Buddy Color	7W	80'	BUDDY-LITE-RGB-80		
Buddy Color	7W	150'	BUDDY-LITE-RGB-150		
Buddy White	4W	80'	BUDDY-LITE-W-80		
Buddy White	4W	150'	BUDDY-LITE-W-150		
Note Color*	—	100'	SAVI-NOTE100		
Note Color*	—	150'	SAVI-NOTE150		

*Requires M4 Controller, see LED Lighting Accessories



Lighted Bubbler

Item	Max. Watts	Cord Length	S Series Part No.	P Series Part No.	H Series Part No.
RGBW Lighted Bubblers					
RGBW Melody	20W	100'	SAVBUB100S	SAVBUB100P	SAVBUB100H
RGBW Melody	20W	150'	SAVBUB150S	SAVBUB150P	SAVBUB150H



**X-Stream
Celestial Floor**

SAVI® X-Stream Celestial Floor

Bring the magic of the stars to your pool, deck, or steps.

Features:

- Use as a stand alone feature or combine with other light systems
- Use with JPS, S-Series, P-Series, and H-Series LED drivers
- RGBW color lighting

Part Number	Description
-------------	-------------

X-Stream Celestial Floor	
SV150T6	150W 120V Metal Halide Illuminator, 6-Color - 550 Strand Max
SV2SPOTP	Spot Xylex Sealed Lens Assembly for 75 to 300 Strands of Fiber
SVBULLSEYE	Non Sealed Lens Assembly for up to 300 Strands of Fiber
SVGUN-W	Gunite Wall Fittings - White
SVFIB-W	Fiberglass Wall Fitting - White
SVVYL-W	Vinyl Wall Fitting - White
SV25EG	Endglow Cable, 25 strand, per foot
SV50EG	Endglow Cable, 50 strand, per foot
SV75EG	Endglow Cable, 75 strand, per foot
SV100EG	Endglow Cable, 100 strand, per foot
SV42	Sideglow Cable, 42 Strand - Braided, Round Profile
SVTRK-42	Track, Clear - for New Construction or Renovation



**X-Stream
LED Driver**

Part Number	Cord Length	Description
-------------	-------------	-------------

X-Stream LED Drivers		
SAVI-XMS-DRIV100-J	100'	JPS Series Driver
SAVI-XMS-DRIV150-J	150'	JPS Series Driver
SAVI-XMS-DRIV100	100'	SAVI SOL Series Driver
SAVI-XMS-DRIV150	150'	SAVI SOL Series Driver
SAVI-XBP-DRIV100	100'	SAVI White Only Driver
SAVI-XBP-DRIV150	150'	SAVI White Only Driver
SAVI-XMS-DRIV100-P	100'	SOL LED Driver - P Series Driver
SAVI-XMS-DRIV150-P	150'	SOL LED Driver - P Series Driver
SAVI-XMS-DRIV100-H	100'	SOL LED Driver - H Series Driver
SAVI-XMS-DRIV150-H	150'	SOL LED Driver - H Series Driver



White Pool and Spa Incandescent White Lights

White Pool and Spa Lights

Underwater incandescent lights for pools and spas. White lights are ETL® classified to fit into some existing pool or spa niches, as well as ProNiches.

Features:

- Stainless steel housing for corrosion-free performance
- Incandescent bulbs available in 100W, 300W or 500W models, high and low voltage
- Face rings available in stainless steel or colored plastic to complement any pool finish
- ETL listed to be installed in ProNiche or other manufacturers niches
- Designed to accept standard Pentair® snap-on colored lenses

Part No.	Description	Face Ring	Voltage	Wattage Class*	Cable Length
Large White Lights: Dimensions, 8.07" Depth x 10.04" Diameter					
WPHV500WS30	Large White Light, 120V, 500W, 30'	SS	120V	500W	30 ft.
WPHV500WS50	Large White Light, 120V, 500W, 50'	SS	120V	500W	50 ft.
WPHV500WS100	Large White Light, 120V, 500W, 100'	SS	120V	500W	100 ft.
WPHV500WP100	Large White Light, 120V, 500W, 100'	Plastic	120V	500W	100 ft.
WPHV500WS150	Large White Light, 120V, 500W, 150'	SS	120V	500W	150 ft.
WPHV300WS30	Large White Light, 120V, 300W, 30'	SS	120V	300W	30 ft.
WPHV300WS50	Large White Light, 120V, 300W, 50'	SS	120V	300W	50 ft.
WPHV300WS100	Large White Light, 120V, 300W, 100'	SS	120V	300W	100 ft.
WPHV300WS150	Large White Light, 120V, 300W, 150'	SS	120V	300W	150 ft.
WPLV300WS30	Large White Light, 12V, 300W, 30'	SS	12V	300W	30 ft.
WPLV300WS50	Large White Light, 12V, 300W, 50'	SS	12V	300W	50 ft.
WPLV300WS100	Large White Light, 12V, 300W, 100'	SS	12V	300W	100 ft.
WPLV100WS50	Large White Light, 12V, 100W, 50'	SS	12V	100W	50 ft.
WPLV100WS100	Large White Light, 12V, 100W, 100'	SS	12V	100W	100 ft.
Small White Lights: Dimensions, 5.01" Depth x 5.81" Diameter					
WSHV100WS30	Small White Light, 120V, 100W, 30'	SS	120V	100W	30 ft.
WSHV100WS50	Small White Light, 120V, 100W, 50'	SS	120V	100W	50 ft.
WSHV100WS100	Small White Light, 120V, 100W, 100'	SS	120V	100W	100 ft.
WSHV100WP100	Small White Light, 120V, 100W, 100'	Plastic	120V	100W	100 ft.
WSHV100WS150	Small White Light, 120V, 100W, 150'	SS	120V	100W	150 ft.
WSLV100WS30	Small White Light, 12V, 100W, 30'	SS	12V	100W	30 ft.
WSLV100WS50	Small White Light, 12V, 100W, 50'	SS	12V	100W	50 ft.
WSLV100WS100	Small White Light, 12V, 100W, 100'	SS	12V	100W	100 ft.

*Due to new energy efficiency standards, Zodiac Pool Systems, Inc. may substitute a lower wattage bulb with similar light output.



WaterColors Pool and Spa LED Color Lights

WaterColors LED Pool and Spa Lights

Underwater LED lights for pools and spas. WaterColors offer energy efficiency in an ultra-slim profile and simple installation. WaterColors are ETL® classified to fit into some existing pool and spa niches as well as ProNiches.

Features:

- Stainless steel housing for corrosion-free performance
- Choose from nine vibrant colors or five dramatic light shows
- Microprocessor blended colors for smooth transitions and no moving parts
- Long life, up to 50,000 hours, less than 50 watts of power, available in 120V and 12V versions
- Controlled by a single light switch or seamlessly interfaces with our Smart Color Control
- ETL Listed to be installed in ProNiche or other manufacturers' niches

Part No.	Description	Face Ring	Voltage	Wattage	Cable Length
Large LED Lights: Dimensions, 3.24" Depth x 10.04" Diameter					
CPHVLEDS30	Large LED Light, 120V, 30'	SS	120V	50W	30 ft.
CPHVLEDS50	Large LED Light, 120V, 50'	SS	120V	50W	50 ft.
CPHVLEDS100	Large LED Light, 120V, 100'	SS	120V	50W	100 ft.
CPHVLEDP100	Large LED Light, 120V, 100'	Plastic	120V	50W	100 ft.
CPHVLEDS150	Large LED Light, 120V, 150'	SS	120V	50W	150 ft.
CPHVLEDS250	Large LED Light, 120V, 250'	SS	120V	50W	250 ft.
CPLVLEDS30	Large LED Light, 12V, 30'	SS	12V	50W	30 ft.
CPLVLEDS50	Large LED Light, 12V, 50'	SS	12V	50W	50 ft.
CPLVLEDS100	Large LED Light, 12V, 100'	SS	12V	50W	100 ft.
CPLVLEDP100	Large LED Light, 12V, 100'	Plastic	12V	50W	100 ft.
Small LED Lights: Dimensions, 120V 3.23" Depth x 5.81" Diameter; 12V 1.54" Depth x 5.81" Diameter					
CSHVLEDS30	Small LED Light, 120V, 30'	SS	120V	25W	30 ft.
CSHVLEDS50	Small LED Light, 120V, 50'	SS	120V	25W	50 ft.
CSHVLEDS100	Small LED Light, 120V, 100'	SS	120V	25W	100 ft.
CSHVLEDP100	Small LED Light, 120V, 100'	Plastic	120V	25W	100 ft.
CSHVLEDS150	Small LED Light, 120V, 150'	SS	120V	25W	150 ft.
CSHVLEDS250	Small LED Light, 120V, 250'	SS	120V	25W	250 ft.
CSLVLEDS30	Small LED Light, 12V, 30'	SS	12V	25W	30 ft.
CSLVLEDS50	Small LED Light, 12V, 50'	SS	12V	25W	50 ft.
CSLVLEDS100	Small LED Light, 12V, 100'	SS	12V	25W	100 ft.

See chart on next page for ETL listed wet niche fixtures.

Notes:

1. All 120V pool and spa lights must be connected to a branch circuit protected by a ground circuit (GFCI).
2. A separate 12VAC transformer is required on all 12V models. Transformer must be listed or certified by a Nationally Recognized Testing Lab (NRTL) (e.g., UL®, ETL, CSA®) for the application.
3. If installing 12V lights it is not recommended to use cord lengths greater than 50'. **A significant voltage drop will occur that dramatically reduces the light output.** Refer to the installation manual for wire voltage losses and potential effect.
4. When ordering, allow 4' of extra cable to coil inside light niche for serviceability.
5. Requires REV 0.2 or later for AquaLink® RS to operate light shows. REV 4.0 or later for PDA.

ETL® listed niches for use with Jandy® Pro Series Watercolor LED and incandescent white lights.

Brand	Size	Part No.	Description	Notes
Zodiac® (Jandy)	Large	PLNICLRG	Gunite ProNiche, Large, Plastic, 1" Rear Hub	All Jandy Lights
		SSNICLRG1R	Gunite ProNiche, Large, Stainless Steel, 1" Rear Hub	All Jandy Lights
		SSNICLRG1S	Gunite ProNiche, Large, Stainless Steel, 1" Top Hub	All Jandy Lights
		WT000002	Vinyl/Fib ProNiche, Large, Plastic, 1" Rear Hub Available in LIMITED Quantities	All Jandy Lights
	Small	PLNICSM	Gunite ProNiche, Small, Plastic, 1" Rear Hub	All Jandy Lights
		SSNICSM1R	Gunite ProNiche, Small, Stainless Steel, 1" Rear Hub	All Jandy Lights
SSNICSM1S		Gunite ProNiche, Small, Stainless Steel, 1" Top Hub	All Jandy Lights	
Pentair®	Large	620004	Vinyl QuickNiche, Large, Plastic, 1" Rear Hub	All Jandy Lights
		78210200	Gunite Niche, Large, Stainless Steel, 1/2" Top Hub	All Jandy Lights
		78210300	Gunite Niche, Large, Stainless Steel, 1/2" Rear Hub	All Jandy Lights
		78210400	Gunite Niche, Large, Stainless Steel, 3/4" Top Hub	All Jandy Lights
		78210401	Gunite Niche, Large, Stainless Steel, 3/4" Top Hub CSA	All Jandy Lights
		78210500	Gunite Niche, Large, Stainless Steel, 1" Top Hub	All Jandy Lights
		78210600	Gunite Niche, Large, Stainless Steel, 1/2" Rear Hub	All Jandy Lights
		78210700	Gunite Niche, Large, Stainless Steel, 3/4" Rear Hub	All Jandy Lights
	Small	79206600	Gunite Niche, Small, Plastic, 1" Rear Hub	All Jandy Lights
	Hayward®	Large	SP0600U	Gunite DuraNiche, Large, Plastic, 1" Rear Hub
Small		SP0601U	Gunite DuraNiche, Small, Plastic, 1" Rear Hub	Jandy LED Only



Plastic ProNiche

Plastic ProNiche

Plastic, large and small niches for gunite pools and spas.

Features:

- Injection molded of high strength PVC for corrosion free performance
- 1" rear outlet with 45° sweep elbow fitting and ¾" reducer
- 1" NPT internal plug for pressure testing conduit line
- Rebar tie-backs for simple installation
- Plastic plaster shield for protection during construction
- Internal and external bonding lugs

Part No.	Description	Dimensions
PLNICLRG	Large Plastic Gunite Niche	8.75" Depth, 9.85" Dia.
PLNICSM	Small Plastic Gunite Niche	7.23" Depth, 5.33" Dia.

Stainless Steel ProNiche

Stainless steel, large and small niches for all gunite pools and spas.

Features:

- Rear or side outlets in 1" with ½" and ¾" reducers
- Internal and external bonding/grounding lugs for use with either metal or plastic conduit.
- Room for 4' of coiled cable
- Plastic plaster shield for protection during construction



Stainless Steel ProNiches

Part No.	Description	Dimensions
SSNICLRG1R	Large Stainless Steel Gunite Niche 1" Rear Outlet	7.75" Depth, 9.76" Dia.
SSNICLRG1S	Large Stainless Steel Gunite Niche 1" Side Outlet	7.75" Depth, 9.76" Dia.
SSNICSM1R	Small Stainless Steel Gunite Niche 1" Rear Outlet	6.97" Depth, 5.33" Dia.
SSNICSM1S	Small Stainless Steel Gunite Niche 1" Side Outlet	6.97" Depth, 5.33" Dia.

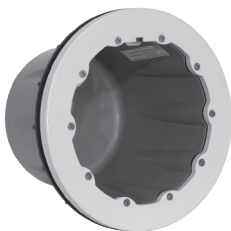
Plastic ProNiche for Vinyl/Fiberglass

Plastic, large niche for Vinyl or Fiberglass pools.

Features:

- Fits industry standard hole diameter of 10.625" to 10.75"
- 1" rear outlet with 45° sweep elbow fitting and ¾" reducer
- Mounts and seals like vinyl inlet fittings with zero wall panel exposure
- Injection molded of high strength PVC for corrosion free performance
- 1" NPT plug for pressure testing conduit line
- Internal and external bonding lugs

Replaces part number PLNICVFLRG

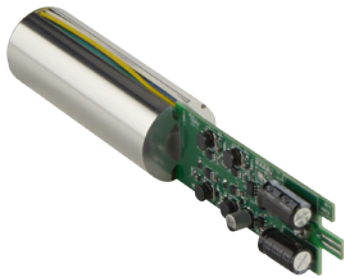


Plastic ProNiche for Vinyl/Fiberglass

Part No.	Description	Dimensions
WT000002	Large Plastic Niche for Vinyl/ Fiberglass pools	8.75" Depth, 10.75" Dia.

LED Lighting Accessories

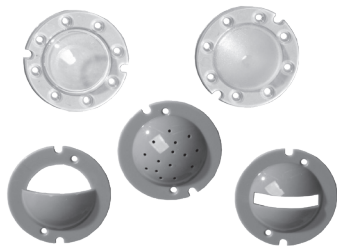
(for use with Jandy® Pro Series and SAVI® LED lights)



Melody Replacement Cartridge



Mini Replacement Cartridge



LED Lenses

Part No.	Description
R0713700	Replacement Cartridge, White Only 9W, JPS Series
R0713800	Replacement Cartridge, RGBW Watercolors 9W, JPS Series
R0713900	Replacement Cartridge, White Only 20W, JPS Series
R0714000	Replacement Cartridge, RGBW Watercolors 20W, JPS Series
R0714100	Replacement Cartridge, White Only 30W, JPS-Series
R0714200	Replacement Cartridge, RGBW Watercolors 30W, JPS Series
MIN-RGBW-CART-S	Replacement Cartridge, RGBW Mini Melody, S-Series
MEL-RGBW-CART-S	Replacement Cartridge, RGBW Melody, S-Series
SOL-RGBW-CART-S	Replacement Cartridge, RGBW Sol, S-Series
MIN-RGBW-CART-P	Replacement Cartridge, RGBW Mini Melody, P-Series
MEL-RGBW-CART-P	Replacement Cartridge, RGBW Melody, P-Series
SOL-RGBW-CART-P	Replacement Cartridge, RGBW Sol, P-Series
MIN-RGBW-CART-H	Replacement Cartridge, RGBW Mini Melody, H-Series
MEL-RGBW-CART-H	Replacement Cartridge, RGBW Melody, H-Series
SOL-RGBW-CART-H	Replacement Cartridge, RGBW Sol, H-Series
BUDDY-BULB-RGB	Replacement Bulb Only—Color
BUDDY-BULB-W	Replacement Bulb Only—White
NOTE-RGB-CART	12V LED Note Light Cartridge. Use with serviceable Note product line
SAVI-LENS-HALO-PK	HALO LENS—Creates soft lighting without center beam, 5/PK
SAVI-LENS-SPOT-PK	SPOT LENS—Soft general light with majority of light focused forward, 5/PK
SAVI-LENS-CATSEYE-PK	CATS EYE—Creates a “slice” of light. Not high, not low, just a wide center beam, 5/PK
SAVI-LENS-DIAMOND-PK	DIAMOND LENS—Creates points of light throughout pool, 5/PK
SAVI-LENS-HALFDOME	HALF DOME—Allows for directional light. Point it down, point it up
SAVI-LENS-SAMPLER	SAMPLER PAK—1 of each of the above
M4-SA	Controller, Stand Alone
M4-DMX	Controller, DMX-ready
STICK-DMX	Programmable DMX
13.619	Extraction Tool—For Melody/Sol/Blanco/BlancoPro Cartridge
28.5049	Front Lens, Clear—Used on serviceable nicheless lights
28.0139	Tall Gasket (Previously 28.0129)
28.0141	Short Gasket
28.091	Flat Gasket
28.506	O-Ring, Clear - Used on serviceable nicheless lights
28.0023	Retainer Ring, 4 Notch
28.0017	Retainer Ring, 2 Notch
28.0072	O-Ring, for retainer ring style nicheless light
SVLKEY2	Key for 2 notch retainer ring—nicheless lights and SVBULLSEYE
13.6151	Key for captured thread style lights, metal
13.6155	Key for captured thread style lights, plastic

LED Lighting Accessories (Continued) (for use with Jandy® Pro Series and SAVI® LED lights)

Part No.	Description
25.1035-REVA	PCB, M4-SA Control
25.1036-REVA	PCB, M4-DMX Control
25.1044-REVA	PCB, M4-RB Control
2.0053	Power Supply, All M4 Controls
28.5059	Front Lens Assembly for X-Stream Driver
14.0160-G	Fiber Tight Connector for X-Stream Driver
28.506	O-Ring, Clear—Used on serviceable nicheless lights
15.1	Silicone Packet
28.0184	Clear Lens, Buddy
28.0075	O-Ring, Buddy
28.0186	Gasket, Buddy
28.0120	Clear Lens, Polycarbonate
28.0070	Large O-ring
28.0080	Small O-ring
28.0017	Retainer Ring, 2 Notch
40-0001	Replacement Lamp, 150 Watt Metal Halide - For SV150T and TMH Series Illuminators
10.0093	Motor, Color Wheel 1 RPM
14.0007	Safety Disconnect Switch
04.0090B	Cooling Fan
02.0010	Ballast, Ignitor, Capacitor Kit
SVH24	Lamp, 250W 24V
82.5004	Clear Lens, Bubbler
28.0003	2" Fiberglass Return Fitting, SP1023S2
28.0004	2" Vinyl Return Fitting, SP1408S2

Pumps

Filters

Heaters

Heat
Pumps

Automation

Water
LevelingWater
Sanitizers

Valves

Water
Designs

Lighting

Cleaners

Accessories

Light Face Rings and Accessories

(for use with Zodiac® WaterColors, and Zodiac White Lights)



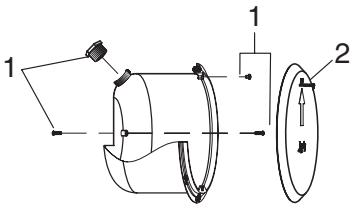
Pool Light Face Rings
(White, Black, Gray, Stainless Steel)



Spa Light Face Rings
(White, Black, Gray, Stainless Steel)

Part No.	Description
Pool Light Face Rings	
R0450801	Stainless Steel Face Ring
R0450802	White Plastic Face Ring
R0450803	Black Plastic Face Ring
R0450804	Gray Plastic Face Ring
Spa Light Face Rings	
R0451301	Stainless Steel Face Ring
R0451302	White Plastic Face Ring
R0451303	Black Plastic Face Ring
Colored Lens Covers	Zodiac Incandescent Lights are all designed to accept standard, off-the-shelf Pentair® colored KWIK lens covers

ProNiche

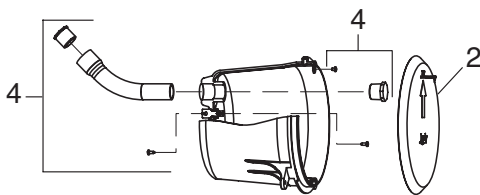


Stainless Steel ProNiche

Part Nos. SSNICLRG1R, SSNICLRG1S, SSNICSM1R, SSNICSM1S

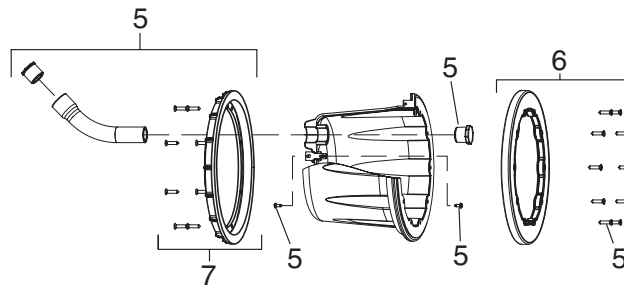
Key No.	Part No.	Description
1	R0460900	Niche Screw Kit, Stainless Steel, Pool and Spa
2	R0461000	Niche Cover, Pool (large)
N/S	R0461100	Niche Cover, Spa (small)
4	R0460800	Niche Screw Kit, Plastic, Pool and Spa
5	R0461200	Niche Screw Kit, Vinyl/Fiberglass, Pool
6	R0461300	Niche Top Clamp Kit, Vinyl, Pool
7	R0461400	Niche Bottom Clamp Kit, Vinyl, Pool

N/S-Not Shown



Plastic ProNiche

Part Nos. PLNICLRG, PLNICSM

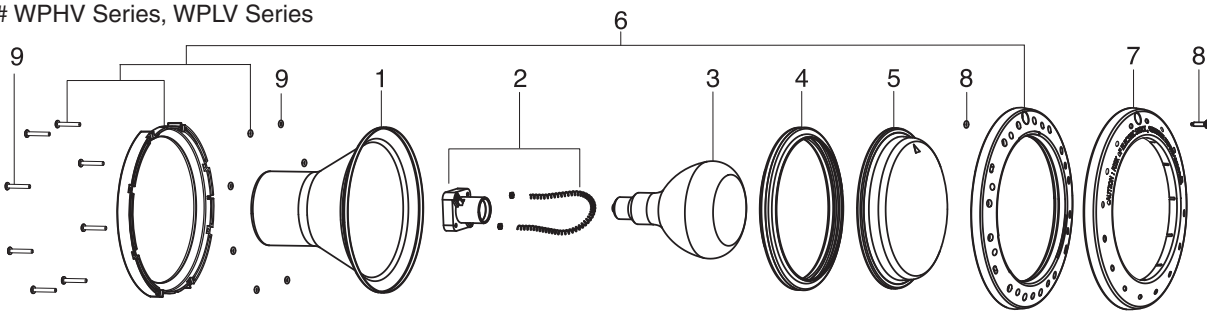


Vinyl/Fiberglass Plastic ProNiche

Part No. WT000002

White Large (Pool) Incandescent Light

Part# WPHV Series, WPLV Series



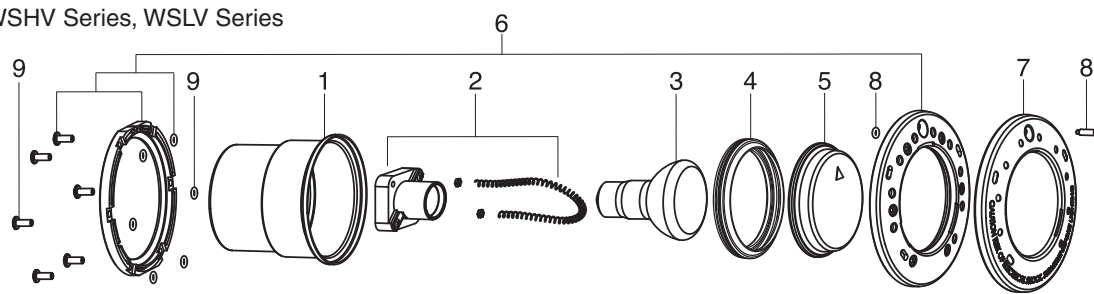
Key No.	Part No.	Description	Field Replaceable
1	N/A	Light Housing - Pool	Not Sold Separately
2	N/A	Bulb Base	Not Sold Separately
3	R0450501	Lamp, 100W*, 12V, Pool and Spa	Yes
3	R0450502	Lamp, 300W*, 120V, Pool	Yes
3	R0450503	Lamp, 300W*, 12V, Pool	Yes
3	R0450504	Lamp, 500W*, 120V, Pool	Yes
4	R0451101	Silicone Gasket - Pool	Yes
5	R0450601	Glass Lens - Pool	Yes
6	R0450701	Clamp Assembly - Pool	Yes

Key No.	Part No.	Description	Field Replaceable
7	R0450801	Stainless Steel Face Ring - Pool	Yes
7	R0450802	White Plastic Face Ring - Pool	Yes
7	R0450803	Black Plastic Face Ring - Pool	Yes
7	R0450804	Gray Plastic Face Ring - Pool	Yes
7	R0450805	Face Ring Set (1 ea.) White Plastic, Black Plastic, Gray Plastic - Pool	Yes
8	R0450901	Pilot Screw	Yes
9	R0451001	Clamp Screws (6), O-rings (6) - Pool	Yes

N/A-Not Available

Zodiac® White Small (Spa) Incandescent Light

Part# WSHV Series, WSLV Series



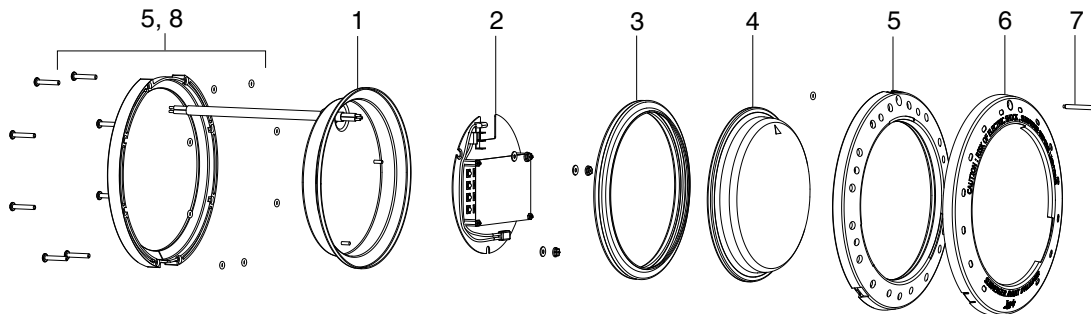
Key No.	Part No.	Description	Field Replaceable
1	N/A	Light Housing, Small	Not Sold Separately
2	N/A	Bulb Base	Not Sold Separately
3	R0450501	Lamp, 100W*, 12V - Pool and Spa	Yes
3	R0450505	Lamp, 100W*, 120V - Spa	Yes
4	R0400501	Silicone Gasket - Spa	Yes
5	R0400601	Glass Lens - Spa	Yes
6	R0451201	Clamp Assembly - Spa	Yes

Key No.	Part No.	Description	Field Replaceable
7	R0451301	Stainless Steel Face Ring - Spa	Yes
7	R0451302	White Plastic Face Ring - Spa	Yes
7	R0451303	Black Plastic Face Ring - Spa	Yes
7	R0451304	Gray Plastic Face Ring - Spa	Yes
7	R0451305	Face Ring Set (1 ea.) White Plastic, Black Plastic, Gray Plastic - Spa	Yes
8	R0450901	Pilot Screw	Yes
9	R0451401	Clamp Screws (6), O-rings (6) - Spa	Yes

N/A-Not Available *Wattage Class. Zodiac may ship a lower wattage replacement bulb with similar light output without notice.

WaterColors Large (Pool) LED Colored Light

Part# CPHVLED Series, CPLVLED Series

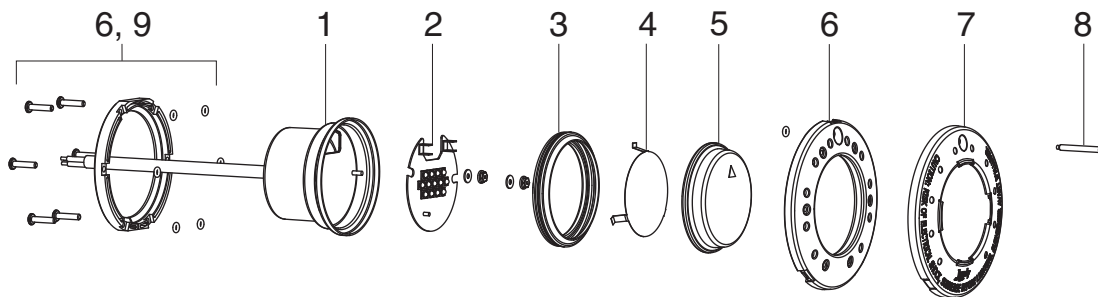


Key No.	Part No.	Description	Field Replaceable
1	N/A	Light Housing - Pool	Not Sold Separately
2	R0474100	PCB, LED Large Light Engine w/ Light Shaping Diverger, 120V	Yes
2	R0474000	PCB, LED Large Light Engine w/ Light Shaping Diverger, 12V	Yes
3	R0451101	Silicone Gasket - Pool	Yes
4	R0450601	Glass Lens - Pool	Yes
5	R0450701	Clamp Assembly - Pool	Yes
6	R0450801	Face Ring, Stainless Steel - Pool	Yes
7	R0450901	Pilot Screw, w/ Retainer - Pool	Yes
8	R0451001	Clamp Screw Set (8 Screws and Retainers) - Pool	Yes

*When replacing LED PCB, we recommend replacement of the silicone gasket at the same time. N/A-Not Available

WaterColors Small (Spa) LED Light

Part# CSHVLED Series, CSLVLED Series

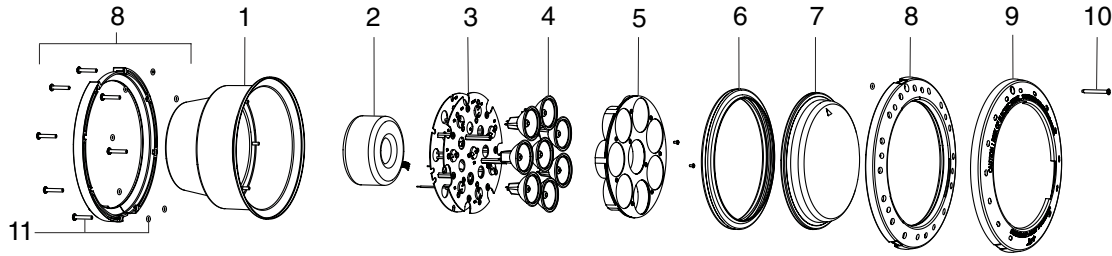


Key No.	Part No.	Description	Field Replaceable
1	N/A	Spa Light Housing	Not Sold Separately
2	R0473900	PCB, LED Small Light Engine, 120V and 12V	Yes
3	R0400501	Silicone Gasket - Spa	Yes
4	R0474200	Light Shaping Diverger, Spa Only	Yes
5	R0400601	Glass Lens - Spa	Yes
6	R0451201	Clamp Assembly - Spa	Yes
7	R0451301	Face Ring, Stainless Steel - Spa	Yes
8	R0450901	Pilot Screw, w/ O-ring - Spa	Yes
9	R0451401	Clamp Screw Set (6 Screws and Retainers) - Spa	Yes

*When replacing LED PCB, we recommend replacement of the silicone gasket at the same time. N/A-Not Available

JandyColors™ Large (Pool) Quartz Halogen Colored Light (Discontinued)

Part# CPHV Series, CPLV Series



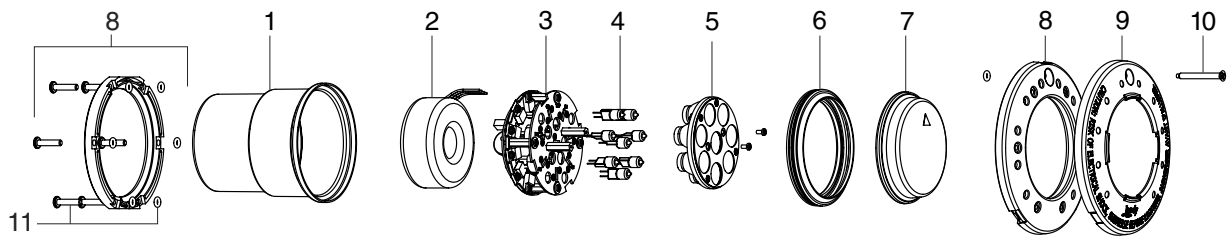
Key No.	New Part No. (10/07 or later - For use with "CP" p/n's)	Old Part No. (9/07 or earlier - For use with "JPL" p/n's)	Description	Field Replaceable
1	N/A	N/A	Light Housing - Pool	Not Sold Separately
2	N/A	N/A	Transformer (120V lights only)	Not Sold Separately
3	N/A	N/A	Bulb Holder and Electronics Assembly*	Not Sold Separately
4	R0451600	N/A	Bulb Kit: 75 Watt Halogen MR-16 EYC/60* (2 bulbs in kit, 8 bulbs required per light)	Yes
5	N/A	R0399700	Dichroic Assembly - Pool	Yes
6	R0451101	R0399800	Silicone Gasket - Pool	Yes
7	R0450601	R0399900	Glass Lens - Pool	Yes
8	R0450701	N/A	Clamp Assembly - Pool	Yes
9	R0450801	R0449300	Face Ring, Stainless Steel - Pool	Yes
10	R0450901	R0400200	Pilot Screw, w/ Retainer - Pool	Yes
11	R0451001	R0449300	Clamp Screw Set (8 Screws and Retainers) - Pool	Yes

*When replacing bulbs, we recommend replacement of all eight bulbs plus the silicone gasket while the light is out of the water.

N/A-Not available

JandyColors Small (Pool) Quartz Halogen Colored Light (Discontinued)

Part# JSL12 Series, JSL120 Series



Key No.	Part No.	Description	Field Replaceable
1	N/A	Spa Light Housing	Not Sold Separately
2	N/A	Transformer (120V lights only) - Spa	Not Sold Separately
3	N/A	Bulb Holder & Electronics Assembly - Spa**	Not Sold Separately
4	R0400300	Bulb Kit: 25W, G4 Capsule - 12V** (2 bulbs in kit, 8 bulbs required per light)	Yes
5	R0400400	Dichroic Assembly - Spa	Yes
6	R0400500	Silicone Gasket - Spa	Yes
7	R0400600	Glass Lens - Spa	Yes
8	R0400700	Clamp Assembly - Pool	Yes
9	R0400800	Face Ring, Stainless Steel - Spa	Yes
10	R0400900	Pilot Screw, w/ O-ring - Spa	Yes
11	N/A	Clamp Screw Set (6 Screws and Retainers) - Spa	Yes

** When replacing bulbs, we recommend replacement of all eight bulbs plus the silicone gasket while the light is out of the water.

N/A-Not Available

CLEANERS



Polaris® Robotic Cleaners	291
Polaris Pressure-side Cleaners	293
Polaris Booster Pumps	296
Polaris Cleaner Accessories	298
Polaris Cleaner Parts and Discontinued Parts	304
Zodiac® Pool Cleaners	347
Zodiac Cleaner Accessories	349
Zodiac Cleaner Parts, Discontinued Parts and Ray-Vac™ Cleaner Parts	350

LEADERS IN ROBOTIC INNOVATION

SUPERIOR CLEANING PERFORMANCE



VORTEX VACUUM TECHNOLOGY

CYCLONIC VACUUM TECHNOLOGY

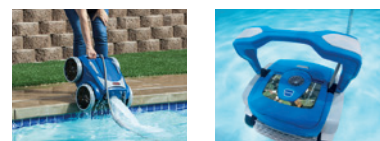
SIMPLE DEBRIS MANAGEMENT



TOP ACCESS

PUSH'N'GO®

INTUITIVE AND EASY TO USE



EASY LIFT

TRANSPARENT LID

Pumps
Filters
Heaters
Heat Pumps
Automation
Water Leveling
Water Sanitizers
Valves
Water Designs
Lighting
Cleaners
Accessories

TRADE SERIES EXCLUSIVE

Coming Soon!



Polaris 9650iQ Sport Robotic Cleaner

Polaris 9650iQ Sport Robotic Cleaner **iAquaLink™ CONTROL**

- Connects via Wi-Fi for anytime, anywhere control on Android™ and iOS devices
- Convenient app features including remote control, recurring cleaning cycles and Easy Lift system
- Monitor cleaner status with dirty canister indicator and troubleshooting tips
- Includes 70 foot Tangle-Resistant Swivel cable for pools up to 60 feet long

Part No. Description

F9650iQ Polaris 9650iQ Sport Robotic Cleaner



Polaris 9550 Sport Robotic Cleaner

Polaris 9550 Sport Robotic Cleaner

- Motion-sensing handheld remote
- Dirty canister indicator
- Pre-programmed cleaning patterns
- 7-day programmable timer
- 4-wheel drive
- Now with 70 foot Tangle-Resistant Cable for pools up to 60 feet long

Part No. Description

F9550 Polaris 9550 Sport Robotic Cleaner



All Polaris Robotic cleaners are ETL listed. Type EC27-- and EM27--

Pumps

Filters

Heaters

Heat Pumps

Automation

Water Leveling

Water Sanitizers

Valves

Water Designs

Lighting

Cleaners

Accessories



Polaris 9450 Sport Robotic Cleaner

Polaris 9450 Sport Robotic Cleaner

- 7-day programmable timer
- Floor, wall and tile-line cleaning
- 4-wheel drive
- Now with 60 foot Tangle-Resistant Cable for pools up to 50 feet long

Part No. Description

F9450	Polaris 9450 Sport Robotic Cleaner
-------	------------------------------------

TRADE SERIES
EXCLUSIVE

NEW!



Polaris 8050 Sport Robotic Cleaner

Polaris 8050 Sport Robotic Cleaner

- Cyclonic Vacuum Technology for superior vacuum efficiency
- Push'N'Go® canister access with a transparent lid—never touch debris again!
- Surface Control System™ provides optimal wall climbing
- Floor, or floor and wall cleaning cycles
- 50 foot floating cable for pools up to 40 feet long

Part No. Description

F8050	Polaris 8050 Sport
-------	--------------------



Polaris 9350 Sport Robotic Cleaner

Polaris 9350 Sport Robotic Cleaner

- Dual cleaning cycles
- Floor, wall and tile-line cleaning
- 2-wheel drive
- 60 foot floating cable for pools up to 50 feet long

Part No. Description

F9350	Polaris 9350 Sport Robotic Cleaner
-------	------------------------------------



All Polaris Robotic cleaners are ETL listed. Type EC27-- and EM27--



Polaris 3900 Sport
With Black Hoses

Polaris Vac-Sweep® 3900 Sport

- Most powerful cleaner in its class
- All-wheel PosiDrive system with durable stainless steel drive chain
- 50% more torque for maximum speed, climbing and maneuverability
- Dual-chamber zippered SuperBag
- Extra large 2-1/2" debris inlet
- Works in all in-ground pools
- Ready to connect to 1.5" dedicated pressure cleaner line
- Includes 31 ft. of feed hose
- Requires Polaris Booster Pump
- BONUS! Now includes TailSweep PRO®

Part No.	Description
F6	Polaris Vac-Sweep 3900 Sport
R0543200	Polaris 3900 Sport Factory Tune-Up Kit



Polaris TR35P

Polaris TR35P

- Three venturi jets provide exceptional vacuum power and faster cleaning
- Large 2-1/4" vacuum inlet
- All-wheel belt drive for exceptional power and efficiency
- Works in all in-ground pools
- Includes 31 ft. of feed hose
- Requires Polaris Booster Pump
- BONUS! Includes extra leaf bag and TailSweep PRO

Part No.	Description
WE000003	Polaris TR35P



Polaris 380

Polaris Vac-Sweep 380

- Three venturi jets provide exceptional vacuum power and faster cleaning
- Large 2-1/4" vacuum inlet
- All-wheel belt drive for exceptional power and efficiency
- Works in all in-ground pools
- Includes 31 ft. of feed hose
- Requires Polaris Booster Pump

Part No.	Description
F3	Polaris Vac-Sweep 380
9-100-9030	380 Factory Rebuild Kit
9-100-9010	380/360 Factory Tune-Up Kit

Pumps

Filters

Heaters

Heat Pumps

Automation

Water Leveling

Water Sanitizers

Valves

Water Designs

Lighting

Cleaners

Accessories



Polaris TR36P

Polaris TR36P

- Works in all in-ground pools
- Operates on pool circulation pump. No booster pump required
- Ready to connect to 1.5" dedicated pressure cleaner line
- Includes 31 ft. of feed hose
- BONUS! Includes extra all-purpose zipper bag and TailSweep PRO®

Part No.	Description
F1TR	Polaris TR36P

Polaris Vac-Sweep® 360

- Works in all in-ground pools
- Operates on pool circulation pump. No booster pump required
- Ready to connect to 1.5" dedicated pressure cleaner line
- Includes 31 ft. of feed hose

Part No.	Description
F1	Polaris Vac-Sweep 360
F1B	Polaris Vac-Sweep 360, Black Max™
9-100-9060	360 Factory Rebuild Kit
9-100-9010	380/360 Factory Tune-Up Kit



Polaris 360

Polaris Vac-Sweep 280

- Works in all in-ground pools
- Requires Polaris Booster Pump
- Ready to connect to 1.5" dedicated pressure cleaner line
- Includes 31 ft. of feed hose

Part No.	Description
F5	Polaris Vac-Sweep 280
F5T	Polaris Vac-Sweep 280, TankTrax®
F5B	Polaris Vac-Sweep 280, Black Max
A48	280 Factory Rebuild Kit
A49	280/180 Factory Tune-Up Kit



Polaris 280



Polaris 180

Polaris 180

- Works in all in-ground pools
- Requires Polaris Booster Pump
- Ready to connect to 1.5" dedicated pressure cleaner line
- Includes 31 ft. of feed hose

Part No.	Description
F20	Polaris Vac-Sweep 180
A47	180 Factory Rebuild Kit
A49	280/180 Factory Tune-Up Kit



Polaris 165

Polaris 165

- Pressure-side cleaner
- Works in all in-ground vinyl or fiberglass pools
- Operates on pool circulation pump
- Ready to connect to 1.5" threaded return line
- Includes 32 ft. of float hose

Part No.	Description
6-120-00	Polaris Vac-Sweep 165



Polaris Turbo Turtle

Polaris Turbo Turtle®

- Pressure-side cleaner
- Works in aboveground vinyl or fiberglass pools
- Operates on pool circulation pump
- Ready to connect to 1.5" threaded return line
- Includes 24 ft. of float hose

Part No.	Description
6-130-00T	Polaris Turbo Turtle



Polaris 65

Polaris Vac-Sweep® 65

- Pressure-side cleaner
- Works in aboveground vinyl or fiberglass pools
- Operates on pool circulation pump
- Ready to connect to 1.5" threaded return line
- Includes 24 ft. of float hose

Part No.	Description
6-130-00	Polaris Vac-Sweep 65

Pumps

Filters

Heaters

Heat Pumps

Automation

Water Leveling

Water Sanitizers

Valves

Water Designs

Lighting

Cleaners

Accessories

TRADE SERIES
EXCLUSIVE

Coming
Soon!



PB4SQ Booster Pump

Polaris® PB4SQ Booster Pump

The PB4SQ is an energy-efficient, multistage booster pump that is easy to install and service. It has been designed to operate quietly and provide optimum power to Polaris pressure cleaners.

- Multistage pump progressively pressurizes water flow, maximizing outlet pressure while minimizing energy consumption
- TEFC motor and innovative fan are designed for quiet operation
- Easy to install with multiple conduit locations and accessible service points
- Direct drop-in replacement for any Booster pump
- Includes Polaris Softube® and Quick Connect fittings

Part No.	Description
----------	-------------

PB4SQ	Polaris PB4SQ Booster Pump
-------	----------------------------



PB4-60 Booster Pump

Polaris PB4-60 Booster Pump

- Booster pump for all Polaris pressure cleaners that require a booster pump
- 3/4 HP motor operates with low flow and variable speed filter pumps
- Includes Polaris Softube and Quick Connect fittings

Part No.	Description
----------	-------------

PB4-60	Polaris Booster Pump with 60 Hz Motor
--------	---------------------------------------

Polaris Accessories

Polaris Tune-Up and Rebuild Kits

Key No.	Part No.	Description
1	48-210	480 Factory Tune-Up Kit
2	9-100-9010	380/360 Factory Tune-Up Kit
3	9-100-9015	380/360 Black Max Factory Tune-Up Kit
4	9-100-9030	380 Factory Rebuild Kit
5	9-100-9035	380 Black Max™ Rebuild Kit
6	9-100-9060	360 Factory Rebuild Kit
7	5-9450	ATV® Factory Tune-Up Kit
8	5-9420	ATV Factory Rebuild Kit
9	A48	280 Factory Rebuild Kit
10	A49	280/180 Factory Tune-Up Kit
11	K48	280, Black Max Factory Rebuild Kit
12	K49	280, Black Max Factory Tune-Up Kit
13	A47	180 Factory Rebuild Kit
14	R0543200	Polaris 3900 Sport Tune-Up Kit

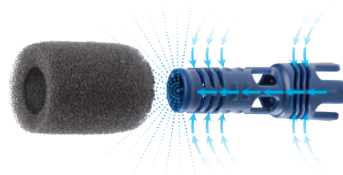
Miscellaneous Cleaner Parts

Key No.	Part No.	Description
15	6-511-00	UWF® Eyeball Fitting
16	9-100-8001	Eyeball Fitting Connection Kit
17	8-841-00	1.25" Sleeve Kit
18	6-510-00	UWF Adapter Kit, 1-1/4" or 2"
18	6-512-00	UWF Adapter Kit, 2"
19	9-100-8002	1" Stub Pipe Connection Kit
20	9-100-8003	1.5" Stub Pipe Connection Kit
21	9-100-8005	Eyeball Adapter Connection Kit
22	9-100-8008	1" Expansion Connector
23	9-100-8010	1.5" Return Line Plug
24	9-100-8011	1.5" Expansion Connector
25	9-100-8012	1.5" Expansion Connector with Pressure Relief
26	9-100-8013	1.5" Adapter with Cap
27	9-100-8016	Eyeball Adapter Connector
28	6-309-00	Replacement Turtle Top
29	TSP10P	TailSweep PRO® (18/PK Bulk Pack)
30	TSP10S	TailSweep PRO (12/PK Strip Clip)
31	G9	Coupling 1.5" NPTF x .75" NPTF
32	G21	Ladder Guard, Two (2) Panels



2 9-100-9010

9 A48

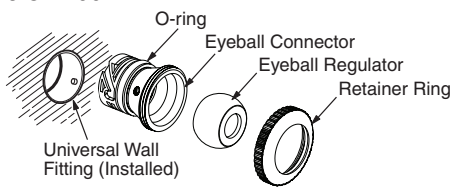
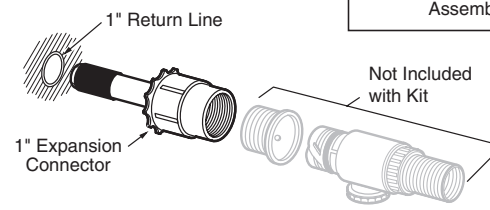
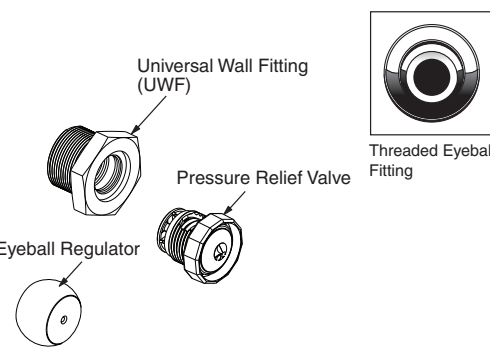
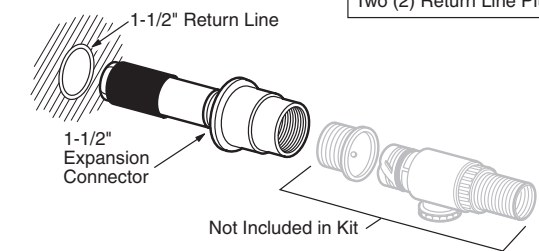
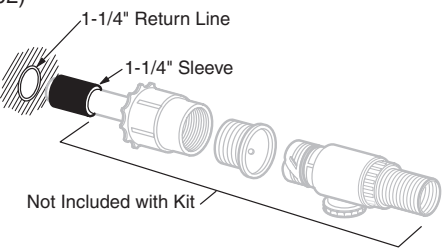
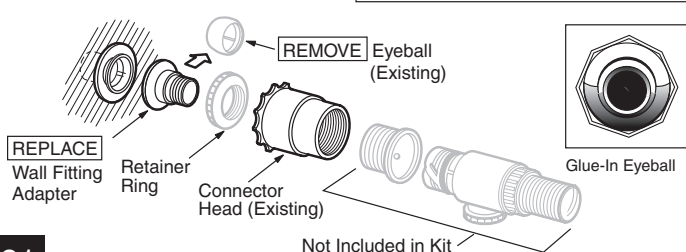
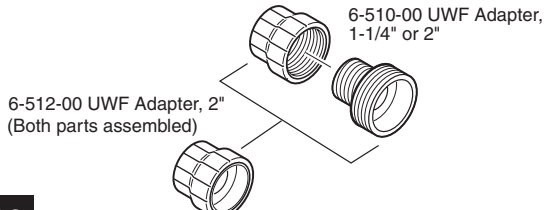


29 TSP10P 18/PK Bulk Pack

30 TSP10S 12/PK Strip Clip

Polaris Connectors and Fittings

(See opposite page for list prices)

<p>UWF® Eyeball Fitting Part #6-511-00</p> 	<p>KIT CONTAINS: One (1) UWF Eyeball Fitting</p>	<p>1" Stub Pipe Connection Kit Part #9-100-8002</p> 	<p>KIT CONTAINS: One (1) 1" Expansion Connector One (1) Expansion Connector with Pressure Relief Valve Assembly</p>
<p>15</p> <p>Eyeball Fitting Connection Kit Part #9-100-8001</p> 	<p>KIT CONTAINS: One (1) 1-1/2" Pressure Relief Valve Assembly One (1) Eyeball Regulators</p>	<p>19</p> <p>1-1/2" Stub Pipe Connection Kit Part #9-100-8003</p> 	<p>KIT CONTAINS: One (1) 1-1/2" Expansion Connector One (1) Expansion Connector with Pressure Relief Valve Assembly Two (2) Return Line Plugs</p>
<p>16</p> <p>1-1/4" Sleeve Kit Part #8-841-00 (Use with 1" Stub Pipe Kit 8002)</p> 	<p>KIT CONTAINS: Two (2) 1-1/4" x 2" Sleeves Two (2) 1-1/4" x 3/4" Sleeves</p>	<p>20</p> <p>Eyeball Adapter Connection Kit Part #9-100-8005</p> 	<p>KIT CONTAINS: One (1) Eyeball Adaptor Connector One (1) Eyeball Adaptor Connector with Pressure Relief Valve Assembly Two (2) Eyeball Regulators</p>
<p>17</p> <p>UWF Adapter Kit Part #6-510-00 and #6-512-00 (Use with Polaris 65 and Turbo Turtle® Only)</p> 	<p>21</p>		
<p>18</p>			

Pumps

Filters

Heaters

Heat Pumps

Automation

Water Leveling

Water Sanitizers

Valves

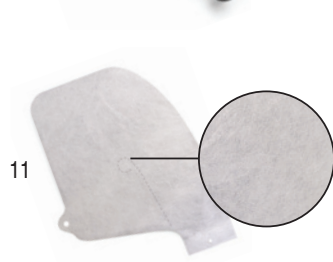
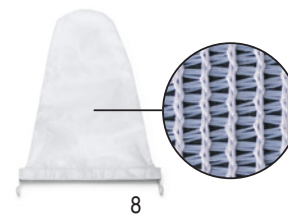
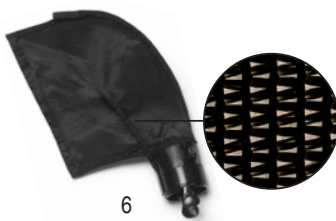
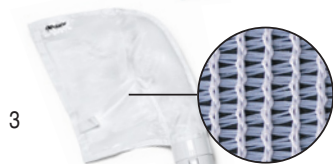
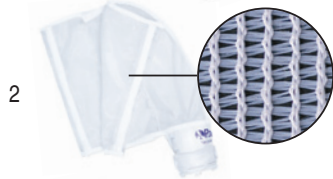
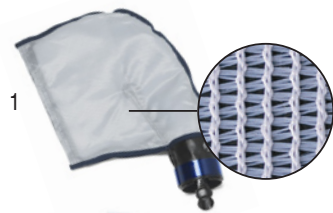
Water Designs

Lighting

Cleaners

Accessories

All-Purpose Bags



Key No.	Model(s)	Part No.	Description
1	3900 Sport	39-310	SuperBag (Double), Gray
2	3900 Sport, 480	48-057	SuperBag (Double), White
2	3900 Sport, 480	48-135	Velcro
3	380, 360	9-100-1014	All-Purpose
3	380, 360	9-100-1021	Zippered
4	380, 360, TR35P, TR36P	9-100-1016	All-Purpose, Black
4	380, 360, TR35P, TR36P	9-100-1022	Zippered, Black
5	280	K16	All-Purpose
5	280	K13	Zippered
6	3900 Sport, 480	K17	All-Purpose, Black
6	3900 Sport, 480	K23	All-Purpose Zippered, Black
6	280	K17	All-Purpose, Black
6	280	K23	Zippered, Black
7	180	A16	All-Purpose
8	165, 65	6-206-00	All-Purpose

Sand/Silt Bag

Traps very fine silt and dust.

Key No.	Model(s)	Part No.	Description
9	380, 360, TR35P	9-100-1015	Sand/Silt Bag
9	280	K14	Sand/Silt Bag
10	3900 Sport, 280	K18	Sand/Silt Bag, Black

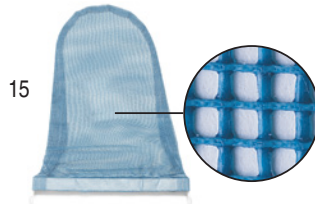
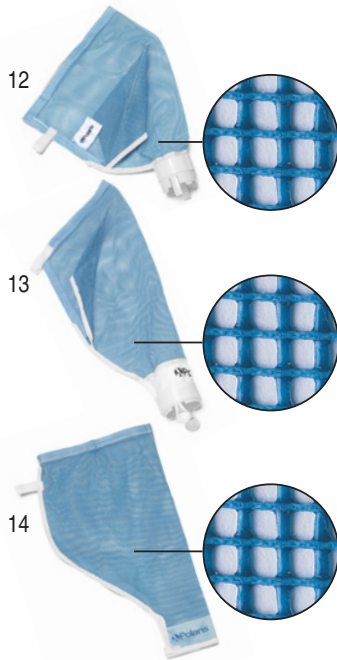
EZ Bag Disposable Filter Bags

Micron rating equal to cartridge filter

Key No.	Model(s)	Part No.	Description
11	480 PRO, 280	48-133	Without Collar (3)
11	380, 360	9-100-1024	With Collar (3)
11	180 (Not EZ Bag)	G45	Disposable Sand/Silt Bags (4)

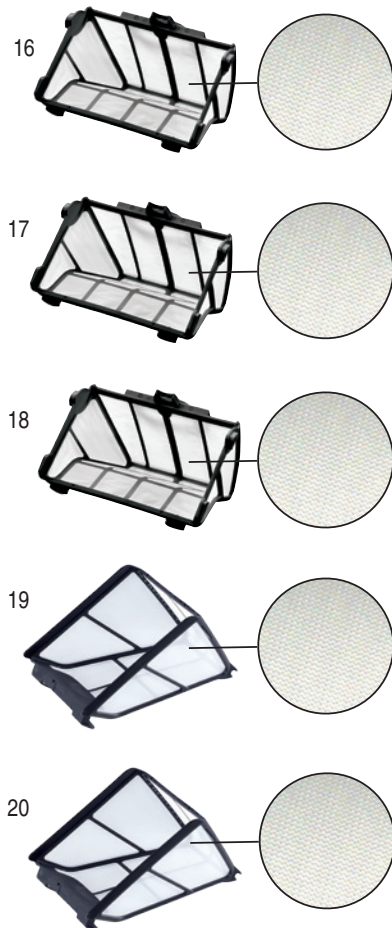
Velcro Leaf Bags

Collects larger, heavier debris.

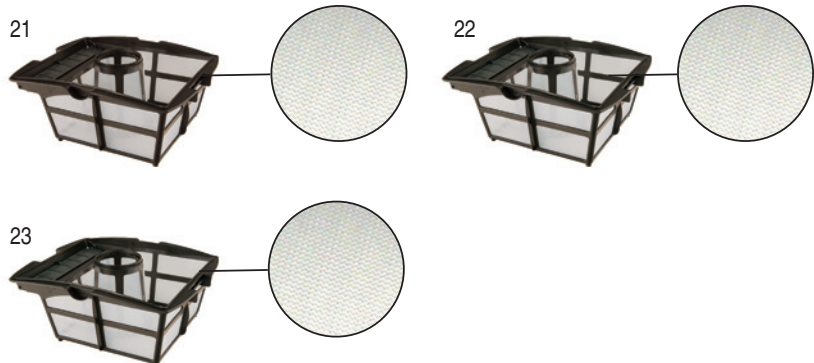


Key No.	Model(s)	Part No.	Description
12	380, 360, TR35P, TR36P	9-100-1012	Velcro Leaf Bag
13	280, 3900 Sport, 480 PRO	K15	Velcro Leaf Bag
14	180	A15	Velcro Leaf Bag
15	165, 65	6-207-00	Velcro Leaf Bag

Robotic Filter Canisters



Key No.	Sport Model(s)	Part No.	Description
16	9300, 9300xi, 9400, 9350, 9450, 9550	R0535900	General Purpose Canister
17	9300, 9300xi, 9400, 9350, 9450, 9550	R0517800	Fine Sand/Silt Canister
18	9300, 9300xi, 9400, 9350, 9450, 9550	R0535800	Ultra Fine Sand/Silt Canister
19	9100	R0531206	All-Purpose Canister
20	9100	R0531205	Leaf Canister
21	8050	R0632701	General Purpose Canister
22	8050	R0632700	Fine Filter Canister
23	8050	R0632702	Ultra Fine Sand/Silt Canister



1



2



3



4

5



6



Specialty Tires

Max Trax®

The Polaris all-purpose tire that provides maximum traction without damage to pool finishes.

Key No.	Model(s)	Part No.	Description
1	380, 360, 280, 180	C10	Max Trax Tire
2	Black Max™ models: 380, 360, 280, TR35P	C11	Max Trax Tire
3	ATV®	5-4025	Max Trax Tire

PosiTrax®

A tire that gives pool cleaners more traction on smooth-finish pools like fiberglass or tile.

Key No.	Sport Model(s)	Part No.	Description
4	380, 360	C13	PosiTrax Tire
4	380, 360 Black Max	C14	PosiTrax Tire, Black
4	ATV	5-4016	PosiTrax Tire

Wide Trax®

This high performance, low profile tire maximizes climbing and maneuverability.

Key No.	Sport Model(s)	Part No.	Description
5	480 PRO	48-032	Wide Trax Tire
5	480 Black Max, 3900	48-232	Wide Trax Tire, Black

TankTrax® (Track Tire only)

A special tank-like tire that easily rolls over strong floor angles and stairs.

Key No.	Sport Model(s)	Part No.	Description
6	480 PRO	48-037	TankTrax
6	280	C18	TankTrax

Specialty Tires

Aqua Trac Tires



Key No.	Sport Model(s)	Part No.	Description
7	9300xi, 9300, 9350	R0529300	Large (Front) Aqua Trac Tire
8	9300xi, 9300, 9350	R0529400	Small (Rear) Aqua Trac Tire
9	9400, 9550, 9450	R0539600	Aqua Trac Tire

Accessories

Sweep Hose Scrubber

For All Three Wheel Pressure Cleaner models

Key No.	Model(s)	Part No.	Description
10	For All Three Wheel Pressure Cleaner models	R0522400	Sweep Hose Scrubber (3/PK)
10		9-100-3105	Sweep Hose Scrubber (Single)

TailSweep PRO®

For All Three Wheel Pressure Cleaner models



The Polaris TailSweep Pro is a simple retrofit accessory that prevents your Polaris pressure-side pool cleaner's sweep hose from spraying water out of the pool and splashing windows, walkways, and precious landscaping.

This innovative accessory also delivers 50% more flow through its jet pump propulsion to improve sweeping.

Key No.	Model(s)	Part No.	Description
11	For All Three Wheel Pressure Cleaner models	TSP10P	TailSweep PRO (18/PK)
12		TSP10S	TailSweep PRO (12/PK)



genuine parts BY POLARIS®

Enroll in our Preferred Professional Provider program and enjoy benefits such as an extended warranty on genuine parts and access to bulk part discounts. Trust in the quality of genuine parts and Zodiac® will provide you with the tools to help grow your business.

Contact your local Zodiac representative today for details.

Polaris 9550 Sport Robotic

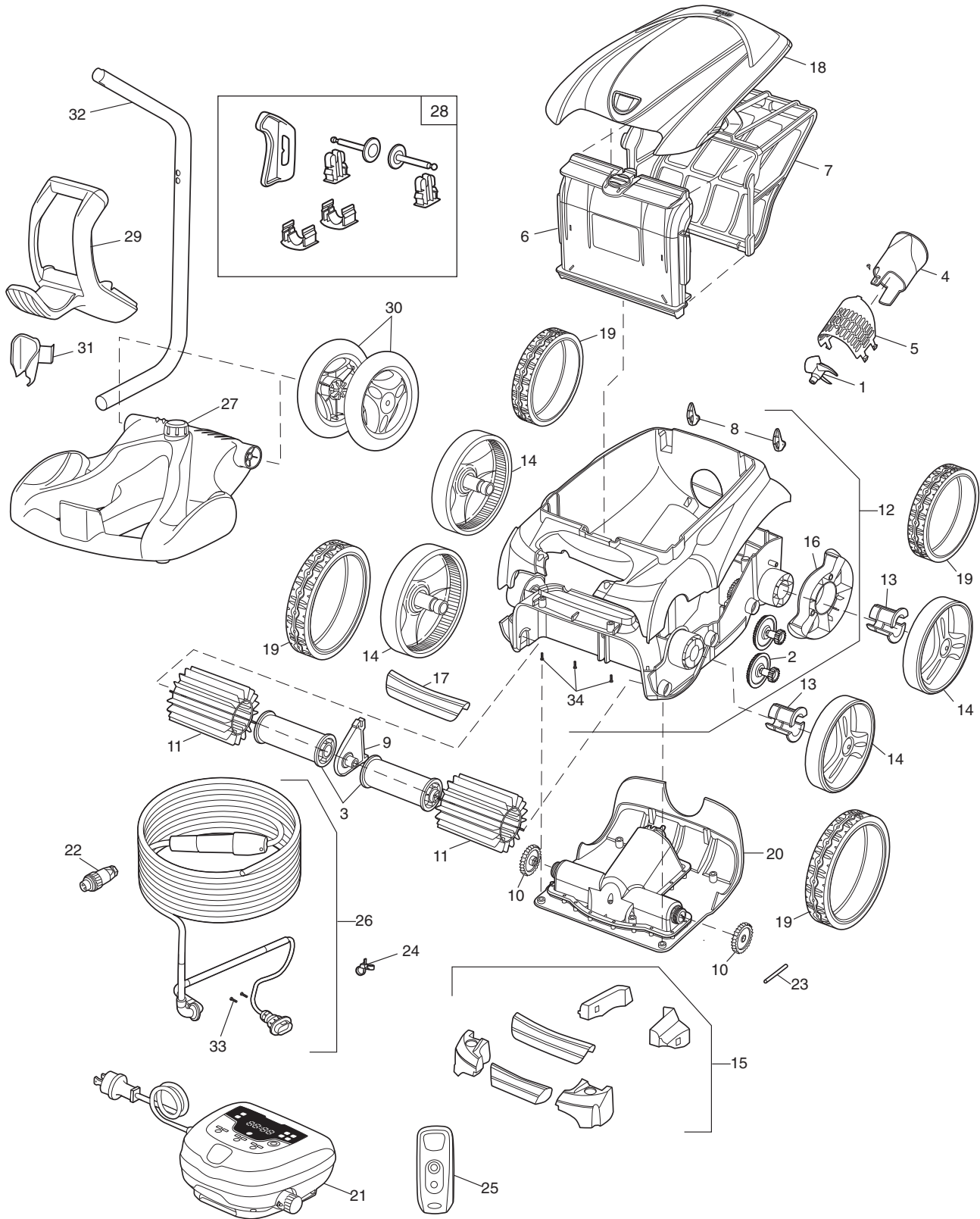
Part# F9550

Key No.	Part No.	Description	Pieces	
			in Model	per Part No.
1	R0517000	Propeller	1	1
2	R0517200	Transmission Kit	4	1
3	R0517400	Brush Roller Kit, 2/PK	2	2
4	R0517500	Flow Outlet	1	1
5	R0517600	Motor Screen	1	1
6	R0517700	Filter Canister Inlet Housing	1	1
7	R0535900	General Purpose Canister *comes standard	1	1
7	R0517800	Fine Filter Canister	1	1
7	R0535800	Ultra Fine Sand/Silt Canister	1	1
8	R0518100	Roller, 2/PK	2	2
9	R0518700	Roller Support	1	1
10	R0518800	Drive Gear, 2/PK	2	2
11	R0528900	Brush, 2/PK	2	2
12	R0539200	Main Body Housing Kit	1	1
13	R0518500	Wheel Bushing Kit (1 Set for 1 Wheel)	4	1
14	R0539500	Wheel, Black	4	1
15	R0539700	Float Kit	1	1
16	R0540300	Wheel Cover	2	1

Key No.	Part No.	Description	Pieces	
			in Model	per Part No.
17	R0540400	Handle Grip	1	1
18	R0588500	Hood Kit	1	1
19	R0539600	Tire, Grey	4	1
20	R0638100	Motor Block Type D	1	1
21	R0588300	Control Unit	1	1
22	R0726700	Swivel Floating Cable Kit 21M	1	1
23	R0567800	Motor Block Shaft Pin, 5/PK	1	5
24	R0567900	Floating Cable Clamp Kit, 5/PK	1	5
25	R0589000	Remote Control	1	1
26	R0528700	Floating Cable	1	1
27	R0564800	Caddy Base	1	1
28	R0564900	Caddy Accessories Kit	1	1
29	R0565000	Caddy Handle	1	1
30	R0565100	Caddy Wheel Kit, 2/PK	2	2
31	R0548500	Remote Control Holster	1	1
32	R0565200	Caddy Tube	1	1
33	R0608500	Screw M4*16mm, 5/PK	2	5
34	R0516700	Screw M4*12mm, 5/PK	24	5

Polaris 9550 Sport Robotic

Part# F9550



Polaris 9450 Sport Robotic

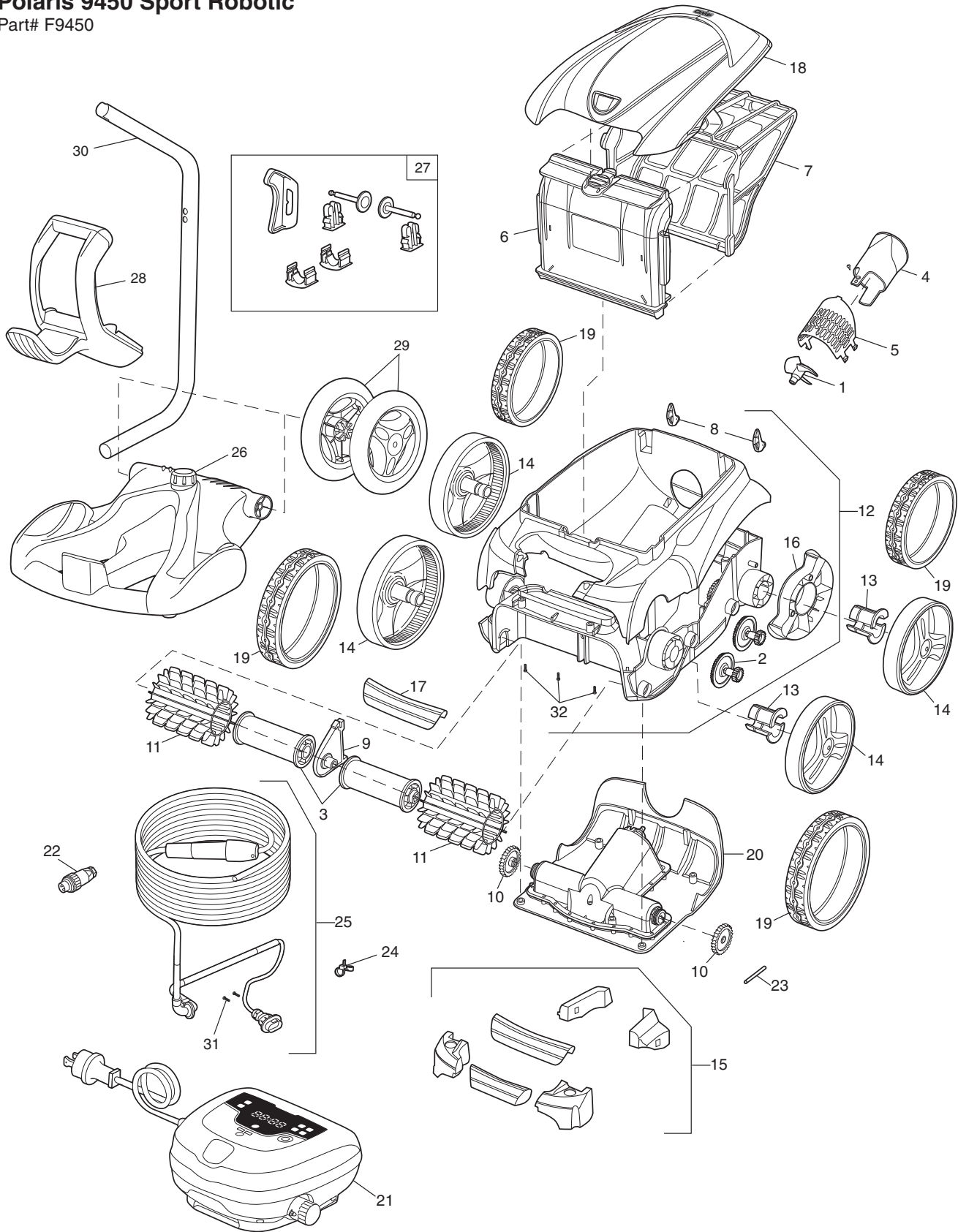
Part# F9450

Key No.	Part No.	Description	Pieces	
			in Model	per Part No.
1	R0517000	Propeller	1	1
2	R0517200	Transmission Kit	4	1
3	R0517400	Brush Roller Kit, 2/PK	2	2
4	R0517500	Flow Outlet Kit	1	1
5	R0517600	Motor Screen	1	1
6	R0517700	Filter Canister Inlet Housing	1	1
7	R0535900	General Purpose Canister *comes standard	1	1
7	R0517800	Fine Filter Canister	1	1
7	R0535800	Ultra Fine Sand/Silt Canister	1	1
8	R0518100	Roller, 2/PK	2	2
9	R0518700	Roller Support Kit	1	1
10	R0518800	Drive Gear, 2/PK	2	2
11	R0517300	Brush, 2/PK	2	2
12	R0539200	Main Body Housing Kit	1	1
13	R0518500	Wheel Bushing Kit (1 Set for 1 Wheel)	4	1
14	R0539500	Wheel, Black	4	1
15	R0539700	Float Kit	1	1

Key No.	Part No.	Description	Pieces	
			in Model	per Part No.
16	R0540300	Wheel Cover	2	1
17	R0540400	Handle Grip	1	1
18	R0539400	Hood Kit	1	1
19	R0539600	Tire, Grey	4	1
20	R0638000	Motor Block Type C	1	1
21	R0564700	Control Unit Kit	1	1
22	R0565600	Floating Cable Plug Kit	1	1
23	R0567800	Motor Block Shaft Pin, 5/PK	1	5
24	R0567900	Floating Cable Clamp Kit, 5/PK	1	5
25	R0726600	Swivel Floating Cable Kit 18M	1	1
26	R0564800	Caddy Base	1	1
27	R0564900	Caddy Accessories Kit	1	1
28	R0565000	Caddy Handle	1	1
29	R0565100	Caddy Wheel Kit, 2/PK	2	2
30	R0565200	Caddy Tube	1	1
31	R0608500	Screw M4*16mm, 5/PK	2	5
32	R0516700	Screw M4*12mm, 5/PK	24	5

Polaris 9450 Sport Robotic

Part# F9450



Pumps

Filters

Heaters

Heat Pumps

Automation

Water Leveling

Water Sanitizers

Valves

Water Designs

Lighting

Cleaners

Accessories

Polaris 8050 Sport

Part# F8050

Key No.	Part No.	Description	Pieces	
			in Model	per Part No.
1	R0632000	Complete Motor Block	1	1
2	R0633400	Bowl	1	1
3	R0633200	Impeller	1	1
4	R0633300	Exhaust Valve, 3/PK	3	3
5	R0633500	Flow Outlet	1	1
6	R0633600	Handle Shaft	2	1
7	R0657900	Motor Block Shaft Pin 04, 5/PK	1	5
8	R0715300	Complete Free Gear Box	1	1
9	R0715400	Complete Gear Box	1	1
10	R0633800	Bottom Plate	1	1
11	R0715600	Body B Blue	2	1
12	R0632701	Complete Filter 200 (General Purpose Canister) *comes standard	1	1
12	R0632700	Complete Filter 100 (Fine Filter Canister)	1	1
12	R0632702	Complete Filter 60 (Ultra Fine Sand/Silt Canister)	1	1

Key No.	Part No.	Description	Pieces	
			in Model	per Part No.
15	R0747600	Complete Cover B-2	1	1
16	R0657600	Brush Scrubber RAL9022, 2/PK	2	2
17	R0657700	Track, 2/PK	2	2
18	R0747500	Complete Handle B	1	1
19	R0516700	Screw 4*12, 5/PK	2	5
20	R0608500	Screw 4*16mm, 5/PK	26	5
21	R0632100	Complete Floating Cable 15M	1	1
22	R0657800	Cable Float	1	1
23	R0634100	Connector 3Pts Body	1	1
24	R0754300	Control Box Type 2 US	1	1
25	R0632800	Complete Lower Part Trolley	1	1
26	R0634400	Trolley Tube	1	1
27	R0632900	Trolley Accessories	1	1
28	R0565100	Caddy Wheel, 2/PK	2	1
29	R0565000	Caddy Handle	1	1
30	R0722400	Brush Roller + Keys	2	1

Pumps

Filters

Heaters

Heat Pumps

Automation

Water Leveling

Water Sanitizers

Valves

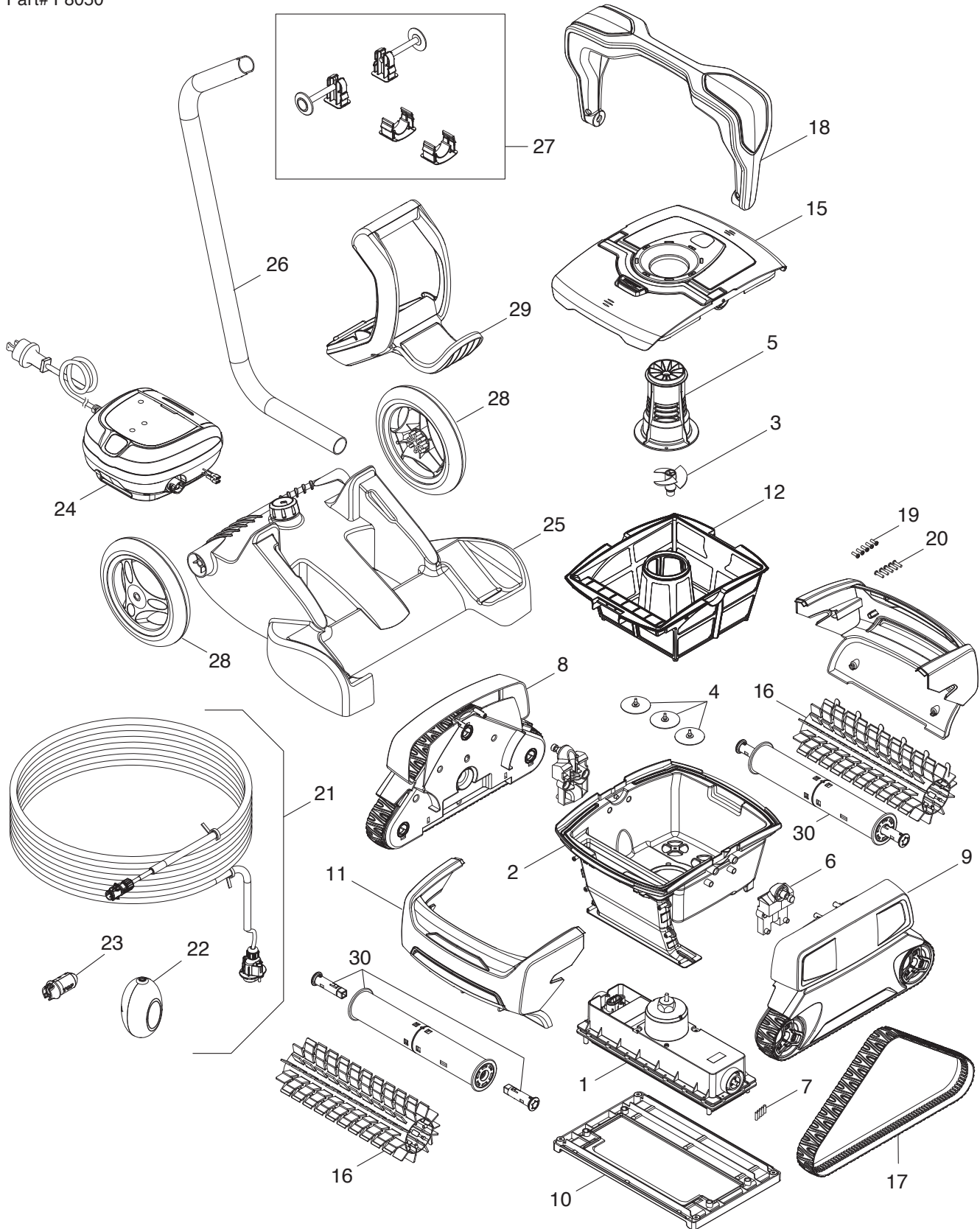
Water Designs

Lighting

Cleaners

Accessories

Polaris 8050 Sport Part# F8050



Pumps

Filters

Heaters

Heat Pumps

Automation

Water Leveling

Water Sanitizers

Valves

Water Designs

Lighting

Cleaners

Accessories

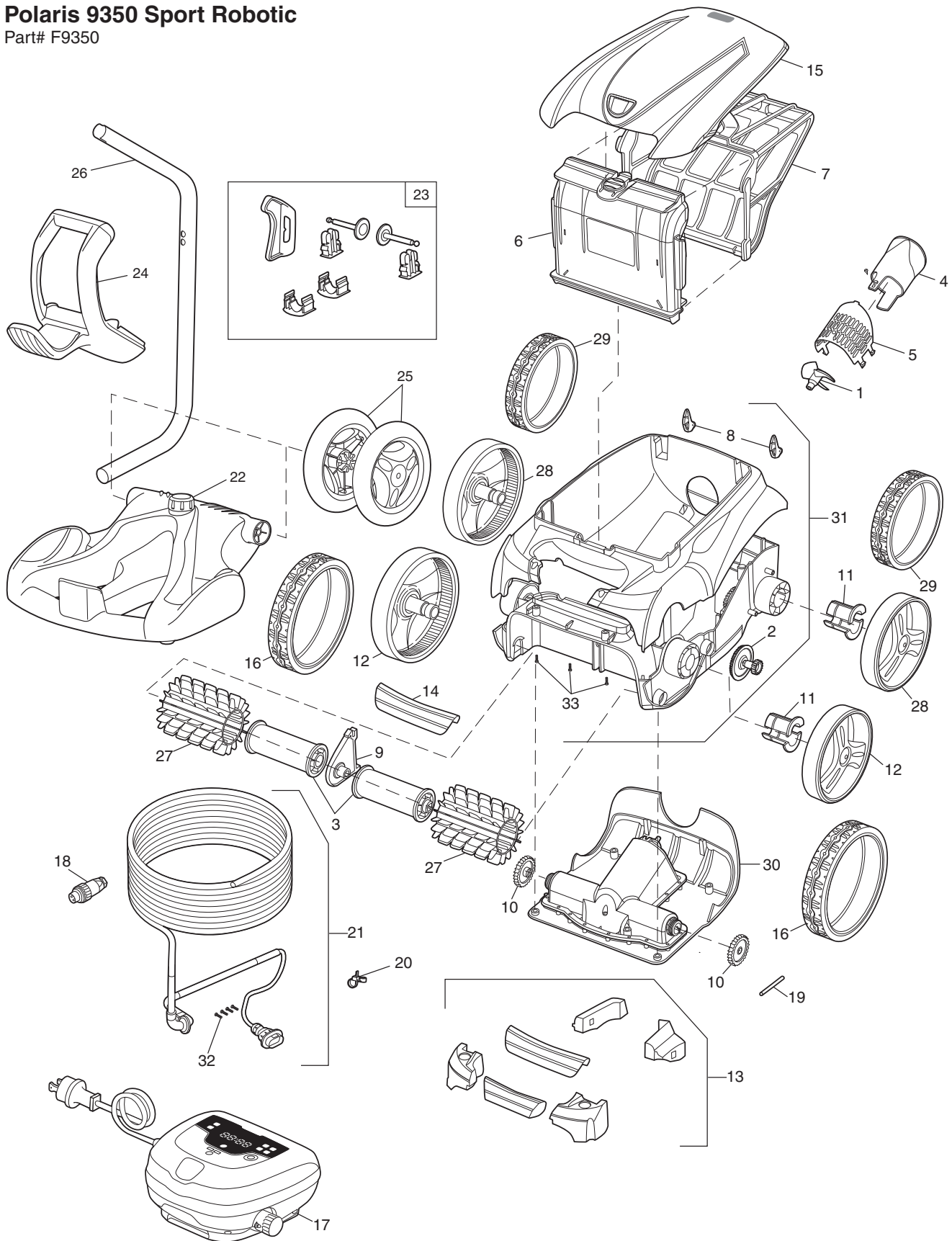
Polaris 9350 Sport Robotic

Part# F9350

Key No.	Part No.	Description	Pieces	
			in Model	per Part No.
1	R0517000	Propeller	1	1
2	R0517200	Transmission Kit	2	1
3	R0517400	Brush Roller Kit, 2/PK	2	2
4	R0517500	Flow Outlet Kit	1	1
5	R0517600	Motor Screen	1	1
6	R0517700	Filter Canister Inlet Housing	1	1
7	R0535900	General Purpose Canister *comes standard	1	1
7	R0517800	Fine Filter Canister	1	1
7	R0535800	Ultra Fine Sand/Silt Canister	1	1
8	R0518100	Roller Kit	1	1
9	R0518700	Roller Support Kit	1	1
10	R0518800	Drive Gear, 2/PK	2	2
11	R0518500	Wheel Bushing Kit (1 Set for 1 Wheel)	4	1
12	R0529000	Wheel, Silver	2	1
13	R0539700	Float Kit	1	1
14	R0540400	Handle Grip	1	1
15	R0543300	Hood Kit, w/o Spoiler	1	1

Key No.	Part No.	Description	Pieces	
			in Model	per Part No.
16	R0529300	Front Tire, Black	2	1
17	R0588100	Control Unit Kit	1	1
18	R0565600	Floating Cable Plug Kit	1	1
19	R0567800	Motor Block Shaft Pin, 5/PK	1	5
20	R0567900	Floating Cable Clamp Kit, 5/PK	1	5
21	R0516800	Floating Cable	1	1
22	R0564800	Caddy Base	1	1
23	R0564900	Caddy Accessories Kit	1	1
24	R0565000	Caddy Handle	1	1
25	R0565100	Caddy Wheel Kit, 2/PK	2	2
26	R0565200	Caddy Tube Kit	1	1
27	R0517300	Brush, 2/PK	2	1
28	R0529100	Rear Wheel, Small, Silver	2	1
29	R0529400	Rear Tire, Black	2	1
30	R0637800	Motor Block Type A	1	1
31	R0589100	Main Housing (Top and Bottom)	1	1
32	R0608500	Screw M4*16mm, 5/PK	2	5
33	R0516700	Screw M4*12mm, 5/PK	16	5

Polaris 9350 Sport Robotic Part# F9350



Polaris 3900 Sport

Part# F6

Key No.	Part No.	Description	Pieces	
			in Model	Pieces per Part No.
1	39-310*	3900 Sport SuperBag	1	1
2	39-003	Top Housing Assembly	1	1
3	R0538000	Float, Head Kit	1	1
4	R0537900	Canopy	1	1
5	R0538100	Housing Top	1	1
6	C40	Screw, 10-32 x 3/8" SS Pan Head	17	10
7	39-006	Vacuum Tube/Feedpipe Assembly w/ O-ring	1	KIT
7A	48-141	O-ring, Feed Hose Connector	1	1
8	39-008	Hubcap	3	3
9	48-232*	Wide Trax® Tire, Black	3	1
10	48-036	Wheel Lock Screw	3	1
11	39-410	Double-Side Wheel	2	1
11A	9-100-1108	Ball Bearing	8	1
12	39-126*	Chain	1	1
13	39-420	Wheel Sprocket Assembly w/ Bearing	2	1
14	39-602	Wheel Spacer	2	1
15	39-100	Frame (Warranty Only)	1	1
16	39-111	Bumper	1	1
17	39-120	Chain Tensioner Kit	1	KIT
18	39-430	Rear Axle Block Assembly	1	KIT
19	39-440	Front Axle Block Assembly	1	1
20	48-045	Screw, 10-32 x 7/8" SS Pan Head w/ Star Washer	4	KIT
21	39-200	Gearbox Assembly	1	1
22	39-300	WMS Assembly w/ O-ring	1	1
22A	R0544000	O-ring WMS Upper to Vactube Interface	1	1
23	39-005	Rear Housing	1	1
24	39-004	Bottom Housing	1	1
25	39-401	Single-Side Wheel	1	1
26	B16	Sweep Hose Attach Clamp, Black	1	1
27	39-021*	Sweep Hose Wear Ring, Blue	8	1
28	B25	Orifice Tip w/ Orifice Tip Guard	1	KIT
29	9-100-3105*	Sweep Hose Scrubber	1	1
29	R0522400	Sweep Hose Scrubber, 3/PK	1	3
30	TSP10P	TailSweep PRO®, Bulk Box	1	18
30	TSP10S	TailSweep PRO, Strip Clip	1	12
31	39-500*	Sweep Hose Complete	1	1

Key No.	Part No.	Description	Pieces	
			in Model	Pieces per Part No.
32	10-112-00	UWF® Restrictor Disks, Red & Blue	2	KIT
33	6-550-00	Universal Wall Fitting (UWF), Black	1	1
34	10-108-00	UWF Restrictor Kit	1	KIT
35	6-505-00	O-ring, UWF	1	1
36	9-100-9006	Pressure Relief Valve, Blk	1	1
37	D30	Quick Disconnect, UWF, Blk	1	KIT
38	D16	Nut, Feed Hose, Black	10	1
39	9-100-9005	UWF Connector Assy, Blk	1	KIT
40	D44	Adapter Hose, 8½"	1	1
41	48-085	In-line Filter Assy, Black	1	1
42	48-222	Screen, In-line Filter	1	1
43	D11	Float, Feed Hose, Black	7	1
44	D21	Swivel Ball Bearing, Black	3	1
45	D47	Feed Hose, 10', Black	2	1
46	D52	Leader Hose, 10', Black	1	1
47	G62	Back-up Valve Kit, Black	1	KIT
48	G53	Mechanism for Backup Valve	1	1
49	48-240	Feed Hose Connector Assembly, Black	1	1
50	G6	Feed Hose Assy Complete w/ UWF, No Backup Valve, No In-line Filter, Black	1	KIT
51	R0538200	Screw, Self-Tapping, Canopy	3	1
52	R0537800	Chain Guard	1	1
53	R0547400	Turbine Gear Assembly	3	1
54	R0547500	Drive Sprocket Assembly	2	1
55	G67	Collar, Back-up Valve, Black	1	1
56	G64	Case Kit for G62, Black	1	KIT

*Suggested stocking item.

Polaris 3900 Sport Tune-Up Kit:

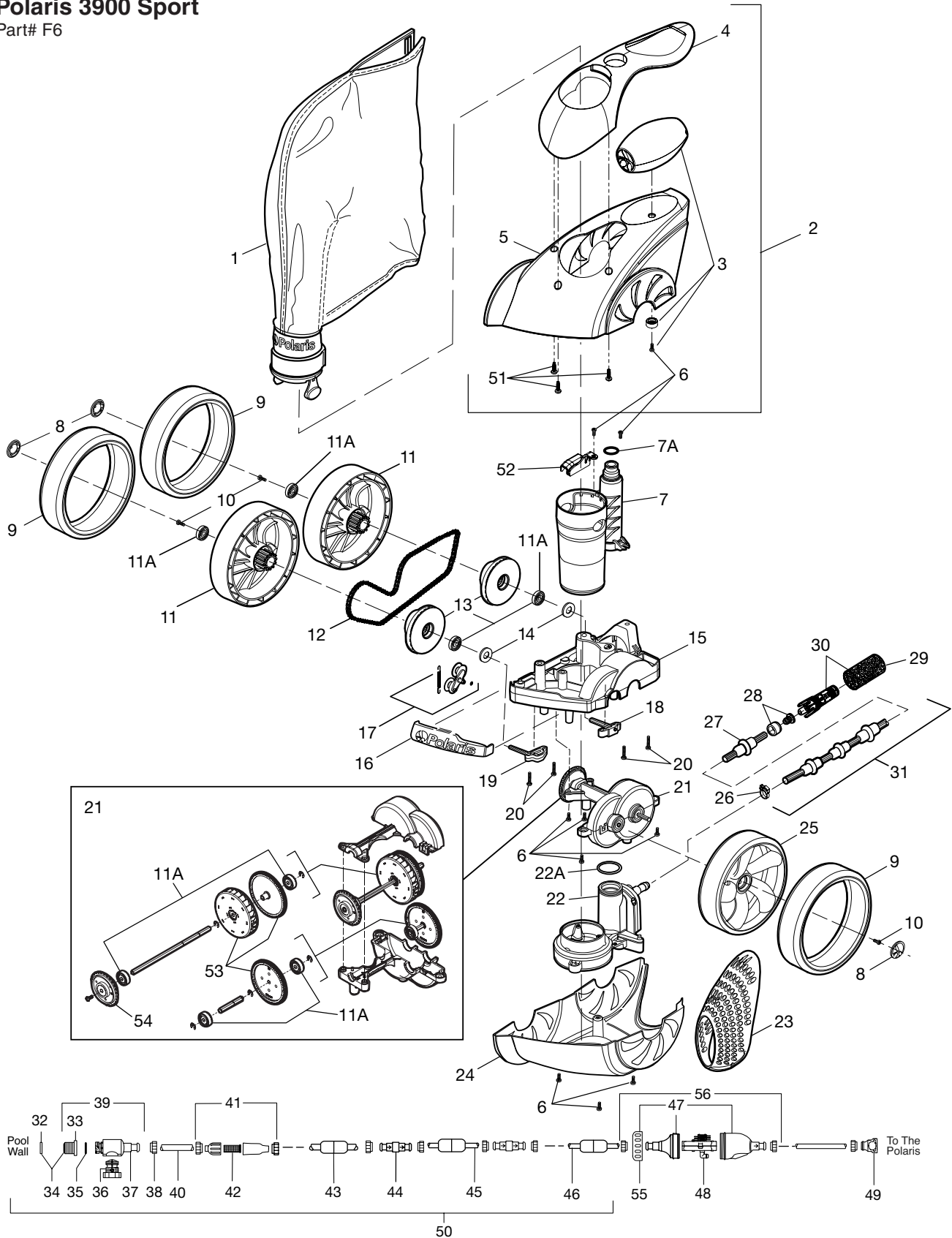
Part# R0543200

No.	Part No.	Qty
7	39-006	1
7A	48-141	1
6	C40	10
12	39-126	1
13	39-420	1
17	39-120	1
18	39-430	1
19	39-440	1

No.	Part No.	Qty
21	39-200	1
24	39-004	1
25	39-401	1
20	48-045	KIT
52	R0537800	1
14	39-602	1
16	39-111	1
10	48-036	1

Polaris 3900 Sport

Part# F6



Pumps

Filters

Heaters

Heat Pumps

Automation

Water Leveling

Water Sanitizers

Valves

Water Designs

Lighting

Cleaners

Accessories

Polaris TR35P

Part# WE00003

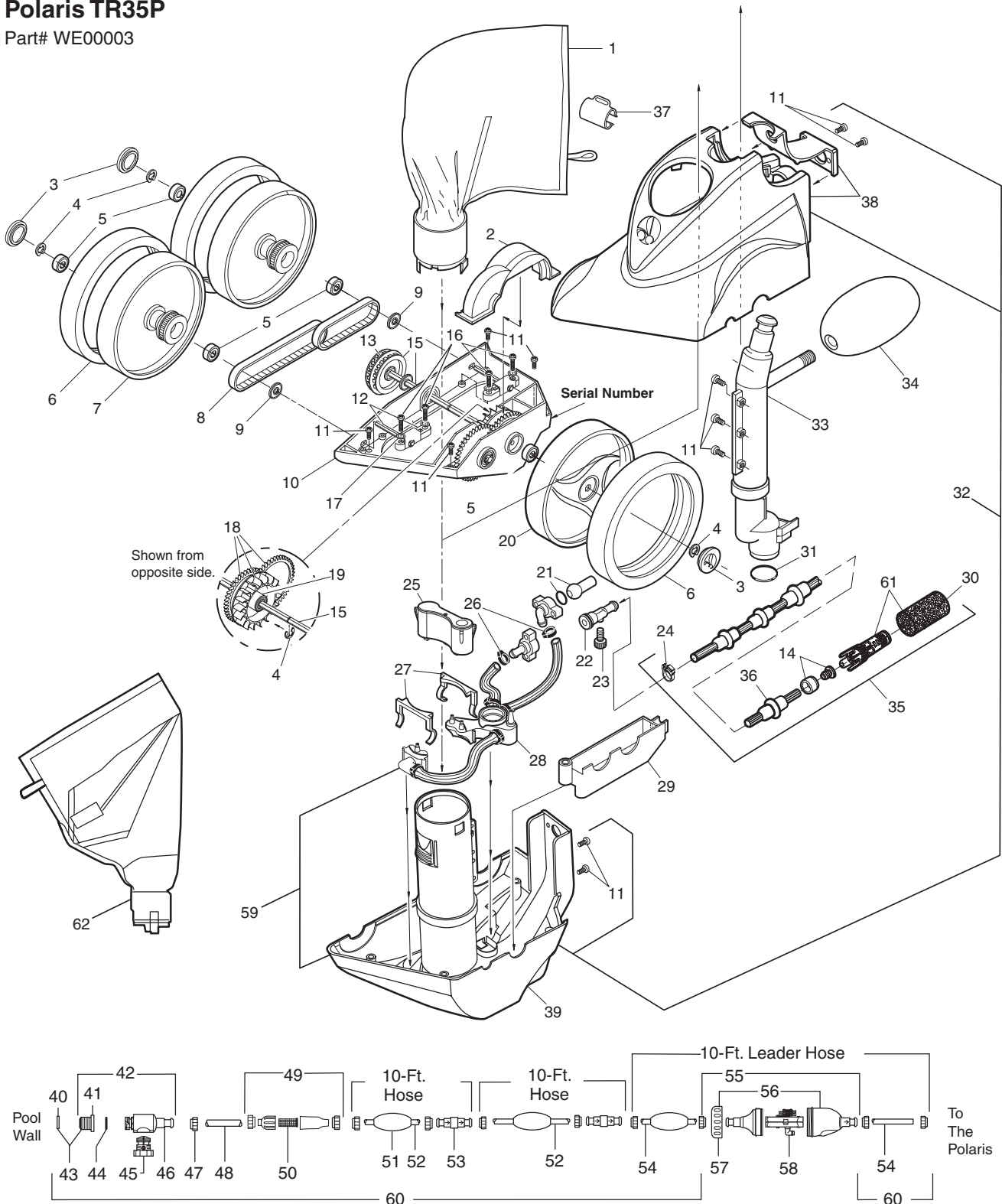
Key No.	Part No.	Description	Pieces	
			in Model	per Part No.
1	9-100-1022	Zippered All-Purpose Bag, Black	1	1
2	9-100-1152	Housing, Turbine Upper	1	1
3	R0615600	Hub Cap, Silver	3	1
4	9-100-5107	E-Clip, Stainless Steel	10	5
5	9-100-1108	Ball Bearing	8	1
6	C11	Tire, Max Trax®, Black	3	1
7	R0615700	Wheel, Double-Side, Silver	2	KIT
8	9-100-1017*	Belt Kit, Small and Large	1	KIT
9	9-100-7011	Shield, Bearing	3	1
10	9-100-1005	Frame (Warranty Only)	1	1
11	9-100-5125	Screw, 8-32 x 1/2" SS Pan Head	11	5
12	9-100-1139	Axle Block Kit (front and rear)	1	KIT
13	9-100-1010	Belt Divider, Transfer Pulley	1	1
14	B25	Orifice Tip w/ Tip Guard	1	KIT
15	9-100-1007*	Trans Pulley/Drive Shaft Assembly	1	KIT
16	9-100-5115	Screw, 8-32 x 3/4" SS	4	5
17	9-100-5130	Lock Washer, Axle Block	4	4
18	9-100-1132	Drive Train Gear Kit w/ Turbine Bearing	1	KIT
19	9-100-1103	Turbine Wheel w/ Bearing	1	1
20	R0615800	Wheel, Single-Sided, Silver	1	1
21	C131	Thrust Jet Kit	1	KIT
22	9-100-7008	Sweep Hose Barb Complete	1	1
23	B20	Adjustment Screw, Sweep Hose	1	1
24	B16*	Sweep Hose Attachment Clamp, Black	1	1
25	9-100-9004	Base Weight	1	KIT
26	9-100-7170	Hose Clamp for WMS	6	6
27	9-100-7009	Jet Retainer	2	2
28	9-100-7010	Water Management System (WMS)	1	KIT
29	9-100-1155	Housing, Turbine Lower	1	1
30	9-100-3105*	Sweep Hose Scrubber	1	1
30	R0522400	Sweep Hose Scrubber, 3/PK	1	3
31	9-100-5132*	O-ring, Feed Pipe Assembly	1	1
32	R0615900	Top and Base Assembly	1	KIT

Key No.	Part No.	Description	Pieces	
			in Model	per Part No.
33	9-100-7007	Feed Pipe/Timer Blank Assembly, Black	1	1
34	A21*	Float, Head, Black	1	1
35	39-500	Sweep Hose Complete	1	1
36	39-021	Sweep Hose Wear Ring, Blue	8	1
37	9-100-1019	Bag Clip, Black	1	1
38	9-100-1240	Top Housing	1	KIT
39	R0616000	Base Assembly, Silver	1	KIT
40	10-112-00	UWF® Restrictor Discs, Red and Blue	2	KIT
41	6-550-00	Universal Wall Fitting (UWF), Black	1	1
42	9-100-9005	UWF Connector Assembly, Black	1	KIT
43	10-108-00	UWF Restrictor Kit	1	KIT
44	6-505-00	O-ring, UWF/QD, Black	1	1
45	9-100-9006	Pressure Relief Valve, Black	1	1
46	D30	Quick Disconnect, UWF, Black	1	KIT
47	D16	Nut, Feed Hose, Black	10	1
48	D44	Adapter Hose, 8 1/2"	1	1
49	48-085	In-Line Filter Assembly, Black	1	1
50	48-222	Screen, In-Line Filter	1	1
51	D11	Float, Feed Hose, Black	9	1
52	D47	Feed Hose, 10', Black	2	1
53	D21	Swivel, Ball Bearing, Black	2	1
54	D52	Leader Hose, 10', Black	1	KIT
55	G62	Back-up Valve Kit, Black	1	KIT
56	G64	Case Kit for G62, Black	1	KIT
57	G67	Collar, Back-up Valve, Black	1	1
58	G53	Mechanism for Back-up Valve	1	KIT
59	R0619900	Water Management Base Assembly Complete, Silver	1	1
60	G6	Feed Hose Complete w/ UWF, No Back-up Valve, No In-line Filter, Black	1	KIT
61	TSP10P	TailSweep PRO®, Bulk Box	1	18
61	TSP10S	TailSweep PRO, Strip Clip	1	12
62	9-100-1012	Velcro Leaf Bag	1	1

*Suggested stocking part.

Polaris TR35P

Part# WE00003



Polaris Vac-Sweep® 380

Part# F3

Key No.	Part No.	Description	Pieces in Model	Pieces per Part No.
1	9-100-1021*	Zippered All-Purpose Bag	1	1
2	9-100-1152	Housing, Turbine Upper	1	1
3	9-100-1114*	Hub Cap	3	1
4	9-100-5107	E-Clip, Stainless Steel	10	5
5	9-100-1108	Ball Bearing	8	1
6	C10*	Tire, Max Trax®	3	1
7	9-100-1008*	Wheel, Double-Side	2	KIT
8	9-100-1017*	Belt Kit, Small and Large	1	KIT
9	9-100-7011	Shield, Bearing	3	1
10	9-100-1005	Frame (Warranty Only)	1	1
11	9-100-5125	Screw, 8-32 x 1/2" SS Pan Head	11	5
12	9-100-1139	Axle Block Kit (front and rear)	1	KIT
13	9-100-1010	Belt Divider, Transfer Pulley	1	1
14	B25	Orifice Tip w/ Tip Guard	1	KIT
15	9-100-1007*	Trans Pulley/Drive Shaft Assembly	1	KIT
16	9-100-5115	Screw, 8-32 x 3/4" SS	4	5
17	9-100-5130	Lock Washer, Axle Block	4	4
18	9-100-1132	Drive Train Gear Kit w/ Turbine Bearing	1	KIT
19	9-100-1103	Turbine Wheel w/ Bearing	1	1
20	9-100-1116*	Wheel, Single-Side	1	KIT
21	C131	Thrust Jet Kit	1	KIT
22	9-100-7008	Sweep Hose Barb Complete	1	KIT
23	B20	Adjustment Screw, Sweep Hose	1	1
24	B15*	Sweep Hose Attachment Clamp	1	1
25	9-100-9004	Base Weight	1	KIT
26	9-100-7170	Hose Clamp for WMS	6	6
27	9-100-7009	Jet Retainer	2	2
28	9-100-7010	Water Management System (WMS)	1	KIT
29	9-100-1155	Housing, Turbine Lower	1	1
30	9-100-3105	Sweep Hose Scrubber	1	1
30	R0522400	Sweep Hose Scrubber, 3/PK	1	3
31	9-100-5132*	O-ring, Feed Pipe Assy	1	1
32	9-100-7030	Top and Base Assembly	1	KIT
33	9-100-7003	Feed Pipe/Timer Blank Assembly	1	1
34	A20*	Float, Head	1	1
35	B5*	Sweep Hose Complete	1	KIT
36	B10	Wear Rings	8	1
37	9-100-1018	Bag Clip	1	1
38	9-100-1240	Top Housing	1	KIT

Key No.	Part No.	Description	Pieces in Model	Pieces per Part No.
39	9-100-7026	Base Assembly	1	KIT
40	10-112-00	UWF® Restrictor Discs, Red and Blue	2	KIT
41	6-500-00	Universal Wall Fitting (UWF)	1	1
42	9-100-9001	UWF Connector Assy	1	1
43	10-108-00	UWF Restrictor Kit	1	KIT
44	6-505-00	O-ring, UWF/QD	1	1
45	9-100-9002	Pressure Relief Valve	1	1
46	D29	Quick Disconnect, UWF	1	KIT
47	D15	Nut, Feed Hose	10	1
48	D44	Adapter Hose, 8 1/2"	1	1
49	48-080	In-Line Filter Assembly	1	1
50	48-222	Screen, In-Line Filter	1	1
51	D10	Float, Feed Hose	9	KIT

*Suggested stocking part.

380 Rebuild Kit

Part# 9-100-9030

No.	Part No.	Qty.
1	9-100-1014*	1
2	9-100-1152	1
3	9-100-1114*	3
4	9-100-5107*	10
5	9-100-1108*	8
6	C10*	3
7	9-100-1008*	2
8	9-100-1017*	1
9	9-100-7011	3
12	9-100-1139	2
15	9-100-1007*	1
18	9-100-1132	1
20	9-100-1116*	1
21	C131	1
22	9-100-7008	1
23	B20	1
24	B15*	1
25	9-100-9004	1
27	9-100-7009	2
28	9-100-7010	1
29	9-100-1155	1
32	9-100-7030	1
33	9-100-7003	1
34	A20*	1
35	B5*	1
55	G52	1

380/360 Tune-Up Kit

Part# 9-100-9010

No.	Part No.	Qty.
1	9-100-1014*	1
2	9-100-1152	1
3	9-100-1114*	3
4	9-100-5107*	10
5	9-100-1108*	8
6	C10*	3
7	9-100-1008*	2
8	9-100-1017*	1
9	9-100-7011	3
12	9-100-1139	2
15	9-100-1007*	1
18	9-100-1132	1
20	9-100-1116*	1
26	9-100-7170	6
30	9-100-3105*	1
31	9-100-5132*	2

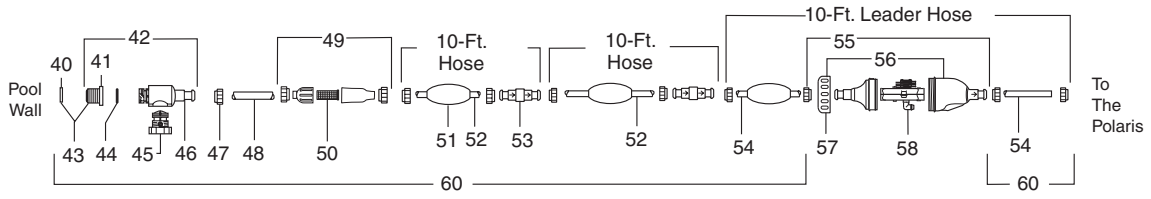
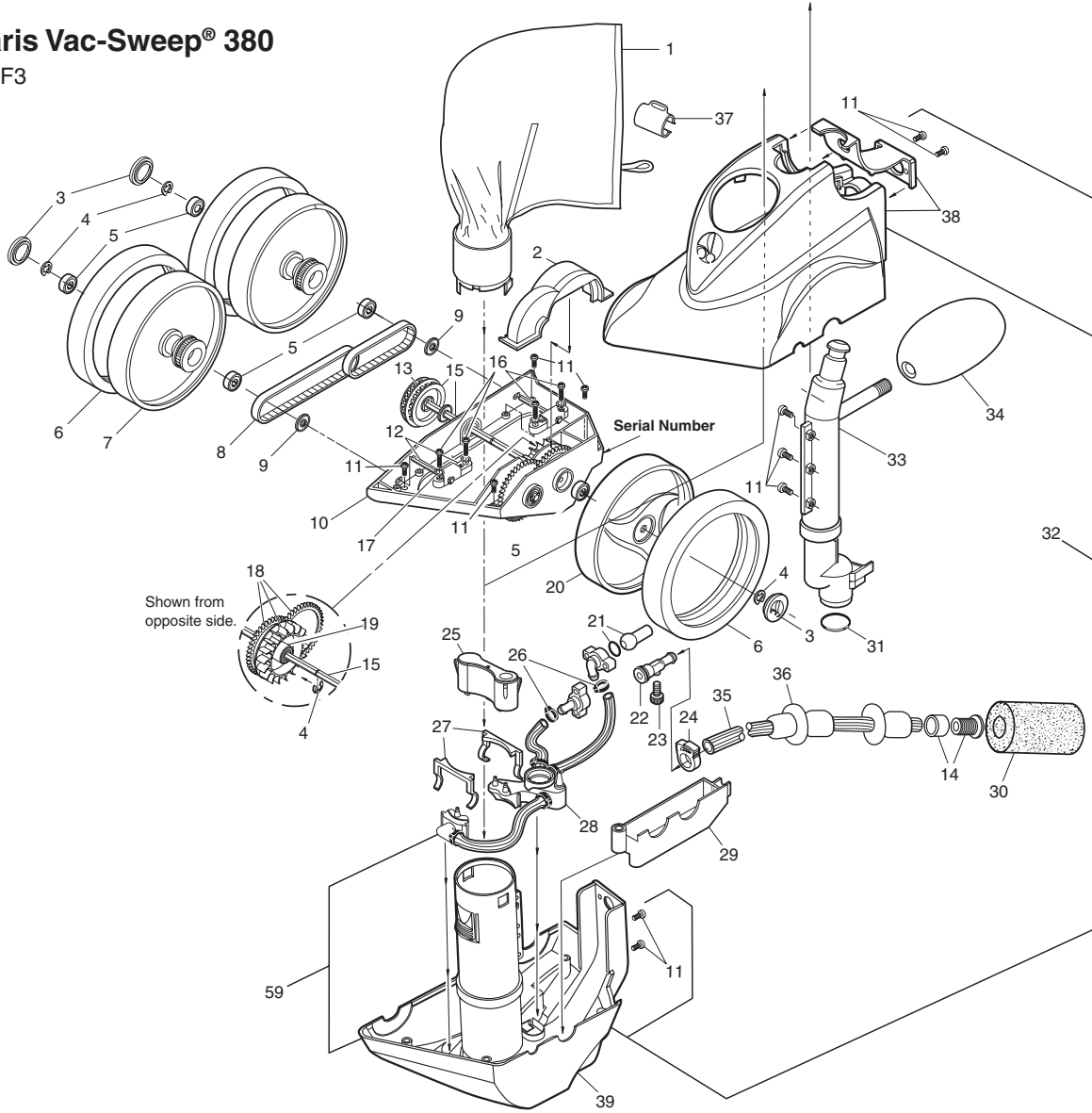
NOTE: Black Max™ parts are not indicated on exploded parts diagrams. See Black Max Parts List on pages 331-333.



PosiTrax® Tire (part# C13) available as an accessory for fiberglass and tile pools.

Polaris Vac-Sweep® 380

Part# F3



Key No.	Part No.	Description	Pieces in Model	Pieces per Part No.
52	D45	Feed Hose, 10'	2	KIT
53	D20	Swivel, Ball Bearing	2	1
54	D50	Feed Hose, Leader, 10'	1	KIT
55	G52	Back-up Valve Kit	1	KIT
56	G54	Case Kit for G52	1	KIT
57	G57	Collar, Back-up Valve	1	1
58	G53	Mechanism for G52	1	KIT

Key No.	Part No.	Description	Pieces in Model	Pieces per Part No.
59	9-100-7045	Water Management Base Assembly Complete	1	1
60	G5	Polaris Feed Hose Complete w/ UWF®, No Back-up Valve, No In-line Filter	1	KIT

*Suggested stocking part. N/A-Not Available

Polaris TR36P

Part# F1TR

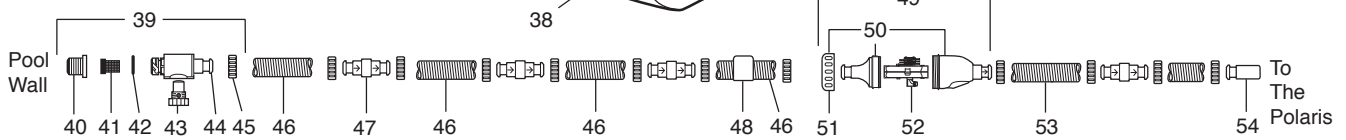
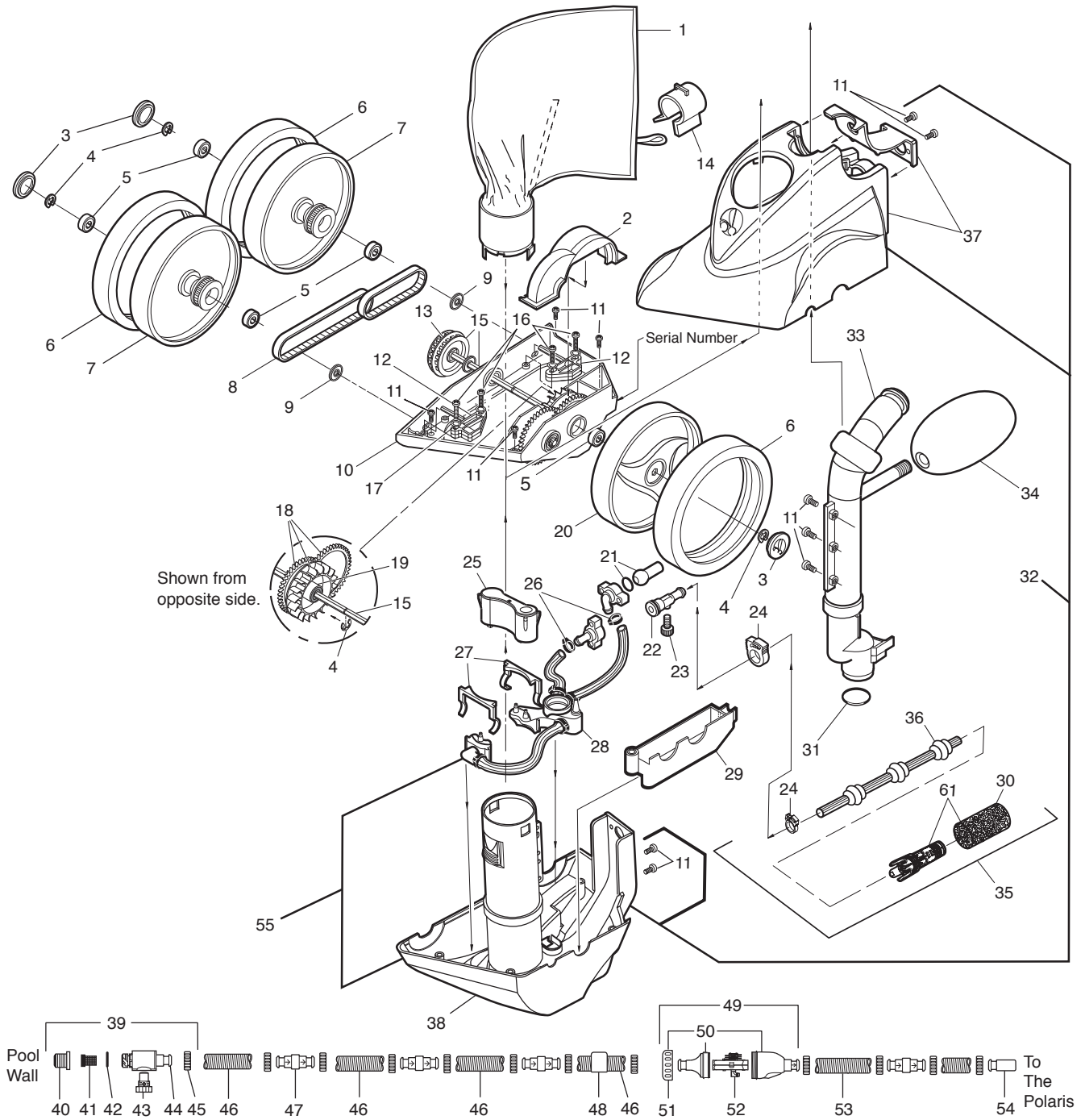
Key No.	Part No.	Description	Pieces in Model	Pieces per Part No.
1	9-100-1022*	Zippered All-Purpose Bag	2	1
2	9-100-1152	Housing, Turbine Upper	1	1
3	R0615600*	Hub Cap, Silver	3	1
4	9-100-5107*	E-Clip, Stainless Steel	10	5
5	9-100-1108*	Ball Bearing	8	1
6	C11*	Tire, Max Trax®, Black	3	1
7	R0615700*	Wheel, Double-Side, Silver	2	KIT
8	9-100-1017*	Belt Kit, Small and Large	1	KIT
9	9-100-7011	Shield, Bearing	3	1
10	9-100-1005	Frame (Warranty Only)	1	1
11	9-100-5125	Screw, 8-32 x 1/2" SS	11	5
12	9-100-1139	Axle Block Kit (Front and Rear)	1	KIT
13	9-100-1010	Belt Divider, Transfer Pulley	1	1
14	9-100-3136	Bag Clip, Black	1	1
15	9-100-1007*	Trans Pulley/Drive Shaft Assembly	1	KIT
16	9-100-5115	Screw, 8-32 x 3/4" SS	4	5
17	9-100-5130	Lock Washer, Axle Block	4	4
18	9-100-1132	Drive Train Gear Kit w/ Turbine Bearing	1	KIT
19	9-100-1103	Turbine Wheel w/ Bearing	1	1
20	R0615800*	Wheel, Single-Sided, Silver	1	1
21	C131	Thrust Jet Kit	1	KIT
22	9-100-7008	Sweep Hose Barb Complete	1	KIT
23	B20	Adjustment Screw, Sweep Hose	1	1
24	B16*	Sweep Hose Attachment Clamp, Black	1	1
25	9-100-3005	Base Weight	1	KIT
26	9-100-7170	Hose Clamp for WMS	6	6
27	9-100-7009	Jet Retainer	2	2
28	9-100-7014	Water Management System (WMS)	1	KIT
29	9-100-1155	Housing, Turbine Lower	1	1
30	9-100-3105*	Sweep Hose Scrubber	1	1
30	R0522400*	Sweep Hose Scrubber, 3/PK	1	3
31	9-100-5132	O-ring, Feed Pipe Assy	1	1
32	R0615900	Top and Base Assembly	1	KIT
33	9-100-1001	Feed Pipe/Timer Blank Assembly, Black	1	KIT
34	A21*	Float, Head, Black	1	1
35	9-100-1020*	Sweep Hose Complete (No TailSweep PRO), Black	1	KIT

Key No.	Part No.	Description	Pieces in Model	Pieces per Part No.
36	39-021*	Sweep Hose Wear Ring, Blue	7	1
37	9-100-1240	Top Housing	1	KIT
38	R0616000	Base Assembly, Silver	1	KIT
39	9-100-3010*	UWF® Connector Assembly, Black	1	KIT
40	6-550-00*	Universal Wall Fitting (UWF), Black	1	1
41	6-504-00*	Filter Screen, UWF/QD	1	1
42	6-505-00	O-ring, UWF/QD	1	1
43	9-100-3011	Pressure Relief Valve, Black	1	1
44	9-100-3007	Quick Disconnect, UWF, Black	1	KIT
45	9-100-3112*	Hose Nut, Black	12	1
46	9-100-3110*	Feed Hose, 6', Black	4	1
47	9-100-3003*	Swivel, Hose, Black	4	1
48	9-100-1207*	Float, Feed Hose, Black	3	KIT
49	9-100-1201*	In-Line Back-up Valve, Black	1	KIT
50	9-100-1203	Case Kit, Back-up Valve, Black	1	KIT
51	G67	Collar, Back-up Valve, Black	1	1
52	9-100-1204	Mechanism, Back-up Valve	1	KIT
53	9-100-3111	Feed Hose, 1', Black	1	1
54	9-100-6000	Pressure Tester	1	1
55	R0732900	Water Management Base Assembly Complete, Silver	1	1
61	TSP10P	Tailsweep PRO®, Bulk Box	1	18
61	TSP10S	Tailsweep PRO, Strip Clip	1	12
N/S	9-100-3101	Feed Hose Complete w/ UWF, No Back-up Valve, Black	1	KIT

*Suggested stocking parts. N/S-Not Shown

Polaris TR36P

Part# F1TR



Pumps

Filters

Heaters

Heat Pumps

Automation

Water Leveling

Water Sanitizers

Valves

Water Designs

Lighting

Cleaners

Accessories

Polaris Vac-Sweep® 360

Part# F1

Key No.	Part No.	Description	Pieces	
			in Model	Pieces per Part No.
1	9-100-1014*	All-Purpose Bag	1	1
2	9-100-1152	Housing, Turbine Upper	1	1
3	9-100-1114*	Hub Cap	3	1
4	9-100-5107*	E-Clip, Stainless Steel	10	5
5	9-100-1108*	Ball Bearing	8	1
6	C10*	Tire, Max Trax®	3	1
7	9-100-1008*	Wheel, Double-Side	2	KIT
8	9-100-1017*	Belt Kit, Small and Large	1	KIT
9	9-100-7011	Shield, Bearing	3	1
10	9-100-1005	Frame (Warranty Only)	1	1
11	9-100-5125	Screw, 8-32 x 1/2" SS	11	5
12	9-100-1139	Axle Block Kit (Front and Rear)	1	KIT
13	9-100-1010	Belt Divider, Transfer Pulley	1	1
14	9-100-3135	Bag Clip	1	1
15	9-100-1007*	Transfer/Drive Shaft	1	KIT
16	9-100-5115	Screw, 8-32 x 3/4" SS	4	5
17	9-100-5130	Lock Washer, Axle Block	4	4
18	9-100-1132	Drive Train Gear Kit	1	KIT
19	9-100-1103	Turbine Wheel w/ Bearing	1	1
20	9-100-1116*	Wheel, Single-Side	1	KIT
21	C131	Thrust Jet Kit	1	KIT
22	9-100-7008	Sweep Hose Barb Complete	1	KIT
23	B20	Adjustment Screw, Sweep Hose	1	1
24	B15*	Sweep Hose Attachment Clamp	1	1
25	9-100-3005	Base Weight	1	KIT
26	9-100-7170	Hose Clamp for WMS	6	6
27	9-100-7009	Jet Retainer	2	2
28	9-100-7014	Water Management System (WMS)	1	KIT
29	9-100-1155	Housing, Turbine Lower	1	1
30	9-100-3105*	Sweep Hose Scrubber	1	1
30	R0522400	Sweep Hose Scrubber, 3/PK	1	3
31	9-100-5132	O-ring, Feed Pipe Assy	1	1
32	9-100-7030	Top and Base Assembly	1	KIT
33	9-100-1002	Feed Pipe/Timer Blank Assembly	1	1
34	A20*	Float, Head	1	1
35	9-100-1011*	Sweep Hose Complete	1	KIT
36	B10*	Wear Rings	7	1
37	9-100-7026	Base Assembly	1	KIT
38	9-100-1240	Top Housing	1	KIT

Key No.	Part No.	Description	Pieces	
			in Model	Pieces per Part No.
39	9-100-3008	UWF® Connector Assembly	1	KIT
40	6-500-00	Universal Wall Fitting (UWF)	1	1
41	6-504-00	Filter Screen, UWF/QD	1	1
42	6-505-00	O-ring, UWF/QD	1	1
43	9-100-3009	Pressure Relief Valve, White	1	1
44	9-100-3006	Quick Disconnect, UWF	1	KIT
45	9-100-3109*	Hose Nut	12	1
46	9-100-3102	Feed Hose, 6'	4	1
47	9-100-3002*	Swivel, Hose	4	1
48	9-100-1206	Float, Feed Hose	3	KIT
49	9-100-1200*	In-Line Back-up Valve	1	KIT

*Suggested stocking part.

360 Rebuild Kit

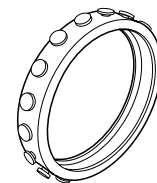
Part# 9-100-9060

No.	Part No.	Qty.
1	9-100-1014*	1
2	9-100-1152	1
3	9-100-1114*	3
4	9-100-5107*	10
5	9-100-1108*	8
6	C10*	3
7		2
8	9-100-1017*	1
9	9-100-7011	3
12	9-100-1139	2
14	9-100-3135	1
15	9-100-1007*	1
18	9-100-1132	1
20	9-100-1116*	1
21	C131	1
22	9-100-7008	1
23	B20	1
24	B15*	1
25	9-100-3005	1
27	9-100-7009	2
28	9-100-7 4	1
29	9-100-1155	1
32	9-100-7030	1
33	9-100-1002	1
34	A20*	1
35	9-100-1011*	1
45	9-100-3109*	4
47	9-100-3002*	1
48	9-100-1206	3
49	9-100-1200*	1

360/380 Tune-Up Kit

Part# 9-100-9010

No.	Part No.	Qty.
1	9-100-1014*	1
2	9-100-1152	1
3	9-100-1114*	3
4	9-100-5107*	10
5	9-100-1108*	8
6	C10*	3
7	9-100-1008*	2
8	9-100-1017*	1
9	9-100-7011	3
12	9-100-1139	2
15	9-100-1007*	1
18	9-100-1132	1
20	9-100-1116*	1
26	9-100-7170	6
30	9-100-3105*	1
31	9-100-5132*	2

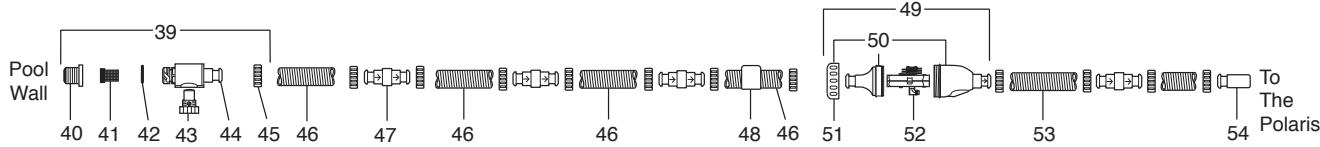
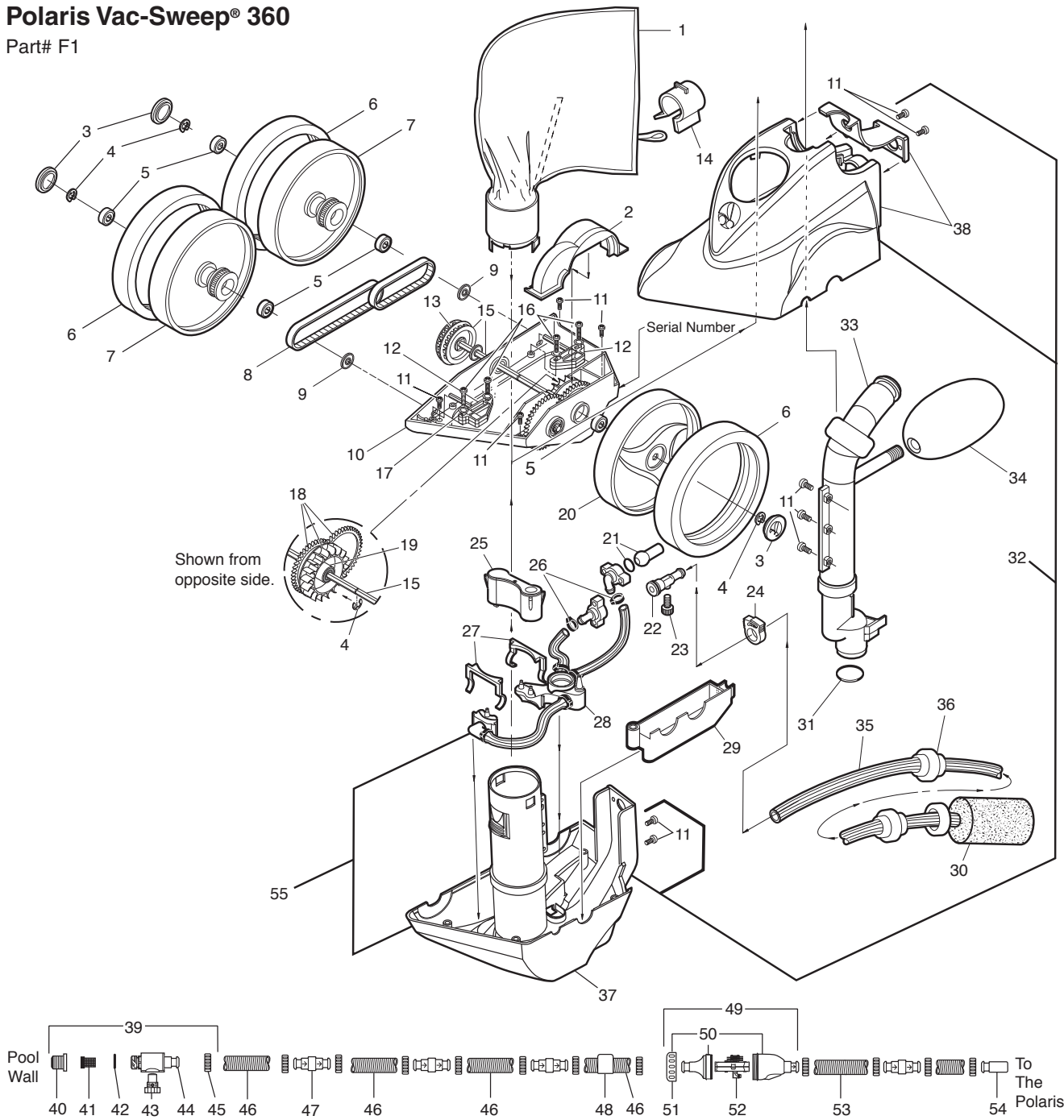


PosiTrax® Tire (part #C13) available as an accessory for fiberglass and tile pools.

NOTE: Black Max™ parts are not indicated on exploded parts diagrams. See Black Max Parts List on pages 331–333.

Polaris Vac-Sweep® 360

Part# F1



Key No.	Part No.	Description	Pieces in Model	Pieces per Part No.
50	9-100-1202	Case Kit, Back-up Valve	1	KIT
51	9-100-1213	Collar, Back-up Valve	1	1
52	9-100-1204	Mechanism, Back-up Valve	1	KIT
N/S	9-100-1210	Mechanism, Double Acting Back-up Valve	1	1
53	9-100-3103	Feed Hose, 1'	1	1

Key No.	Part No.	Description	Pieces in Model	Pieces per Part No.
54	9-100-6000	Pressure Tester	1	1
55	9-100-7046	Water Management Base Assembly Complete	1	1
N/S	9-100-3100	Complete Hose Assembly (Back-up Valve Not Incl.)	1	KIT

*Suggested stocking parts. N/S-Not Shown

Polaris Vac-Sweep® 280

Part# F5

Key No.	Part No.	Description	Pieces in Model	Pieces per Part No.
1	K13	All-Purpose Zippered Bag	1	1
2	C40	Screw, 10-32 x 3/8" SS Pan	20	10
3	K5	Top	1	1
4	A20	Float, Head	1	1
5	9-100-3105	Sweep Hose Scrubber	1	1
5	R0522400	Sweep Hose Scrubber, 3/PK	1	3
6	B25	Orifice Tip w/ Orifice Tip Guard	1	KIT
7	B5	Sweep Hose Complete	1	KIT
8	B10	Wear Rings	8	1
9	B15	Sweep Hose Attach Clamp	1	1
10	B20	Adjust. Screw, Sweep Hose	1	1
11	K30	Feed Pipe w/ Elbow	1	1
12	K20	Vacuum Tube	1	1
13	C66	Axle, Large (w/ Sand/Gravel Guard)	2	KIT
14	C76	Screw, 10-32 x 7/8" SS Pan (2/PK)	10	2
15	C45	Lock Washer for C36	7	5
16	C70	Axle Plate for C65/C66	3	1
17	C60	Ball Bearings, Wheels	8	1
18	C55	Wheel Screw, Plastic	4	1
19	C64	Wheel Washer, Plastic	4	1
20	C10	Tire, Max Trax®	3	1
21	C6	Wheel, Large (No Bearings Incl.)	3	1
22	C65	Axle, Large (Rear Wheel Only)	1	KIT
23	C131	Thrust Jet Kit	1	KIT
24	C16	Idler Wheel, Small	1	1
25	C30	Screw, 4-40 x 3/16" SS Pan	1	5
26	C32	Screw, 6-32 x 1/2" SS Pan Head	1	5
27	C25	Spring for C36	1	1
28	C36	Swing Axle Kit	1	KIT
29	K10	Base w/ Bracket	1	1
30	K25	Water Management System	1	KIT
31	K145	Frame (Warranty Only)	1	1
32	C80	Ball Bearings, Turbine	2	1
33	C83	Turbine Shaft Tubes	1	KIT
34	9-100-7170	Hose Clamp for WMS	2	6
35	A40	Turbine Shaft Shield	1	KIT
36	C86	Drive Shaft Assembly	1	KIT
37	C120	Hose for C110, 7 1/2"	1	1
38	C110	Turbine Cover w/ Elbow	1	1

Key No.	Part No.	Description	Pieces in Model	Pieces per Part No.
39	9-100-1018	Bag Clip	1	1
40	10-112-00	Restrictor Disks, Red and Blue	2	KIT
41	6-500-00	Universal Wall Fitting (UWF®)	1	1
42	9-100-9001	UWF Connector Assembly	1	1
43	10-108-00	UWF Restrictor Kit	1	KIT
44	6-505-00	O-ring, UWF/QD	1	1
45	9-100-9002	Pressure Relief Valve	1	1
46	D29	Quick Disconnect, UWF	1	KIT
47	D15	Nut, Feed Hose	10	1
48	D44	Adapter Hose, 8 1/2"	1	1
49	48-080	In-Line Filter Assembly	1	1
50	48-222	Screen, In-Line Filter	1	1
51	D10	Float, Feed Hose	9	KIT
52	D45	Feed Hose, 10'	2	KIT
53	D20	Swivel, Ball Bearing	2	1
54	D50	Feed Hose, Leader, 10'	1	KIT
55	G52	Back-Up Valve Kit	1	KIT
56	G54	Case Kit for G52	1	KIT
57	R0706000	Wheel Block w/ Inserts	1	1

280 Rebuild Kit

Part# A48

No.	Part No.	Qty.
1	K16*	1
3	K5	1
4	A20*	1
7	B5*	1
9	B15*	1
13	C66	2
17	C60*	8
18	C55*	4
19	C64*	4
20	C10*	3
21	C6*	3
22	C65	1
23	C131	1
24	C16*	1
28	C36	1
29	K10	1
30	K25	1
32	C80*	2
33	C83	1
36	C86*	1

280/180 Tune-Up Kit

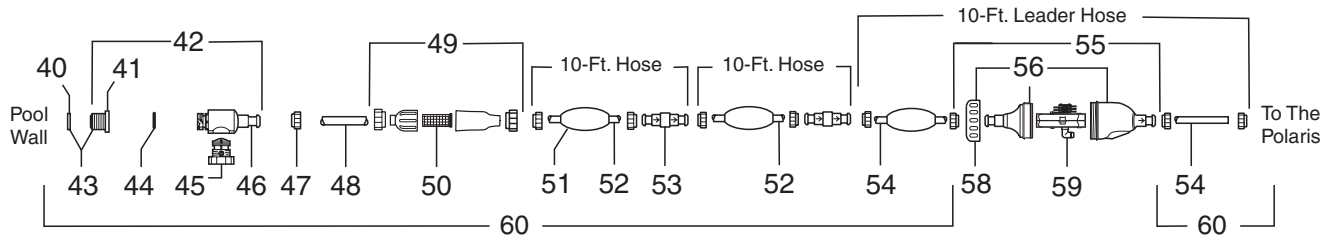
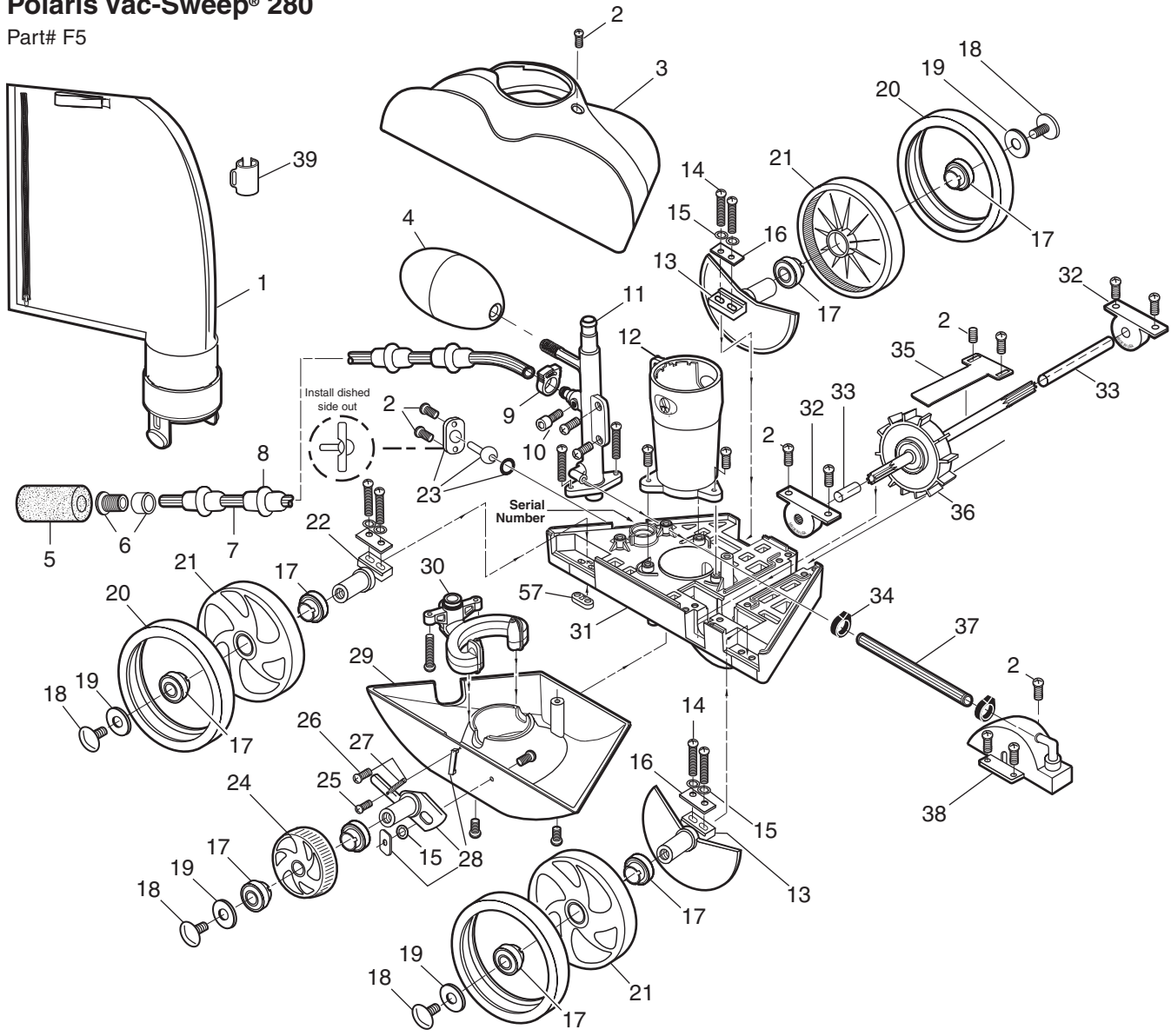
Part# A49

No.	Part No.	Qty.
13	C66	2
17	C60*	8
18	C55*	4
19	C64*	4
20	C10*	3
21	C6*	3
22	C65	1
24	C16*	1
28	C36	1
32	C80*	2
33	C83	1
36	C86*	1

NOTE: Black Max™ parts are not indicated on exploded parts diagrams or parts list. See Black Max Parts List on pages 331–333.

Polaris Vac-Sweep® 280

Part# F5



Key No.	Part No.	Description	Pieces in Model	Pieces per Part No.
58	G57	Collar, Back-Up Valve	1	1
59	G53	Mechanism for Back-up Valve	1	KIT

Key No.	Part No.	Description	Pieces in Model	Pieces per Part No.
60	G5	Polaris Feed Hose Complete w/ UWF®, No Back-up Valve, No In-line Filter	1	KIT

*Suggested stocking parts.

Polaris 280 TankTrax®

Part# F5T

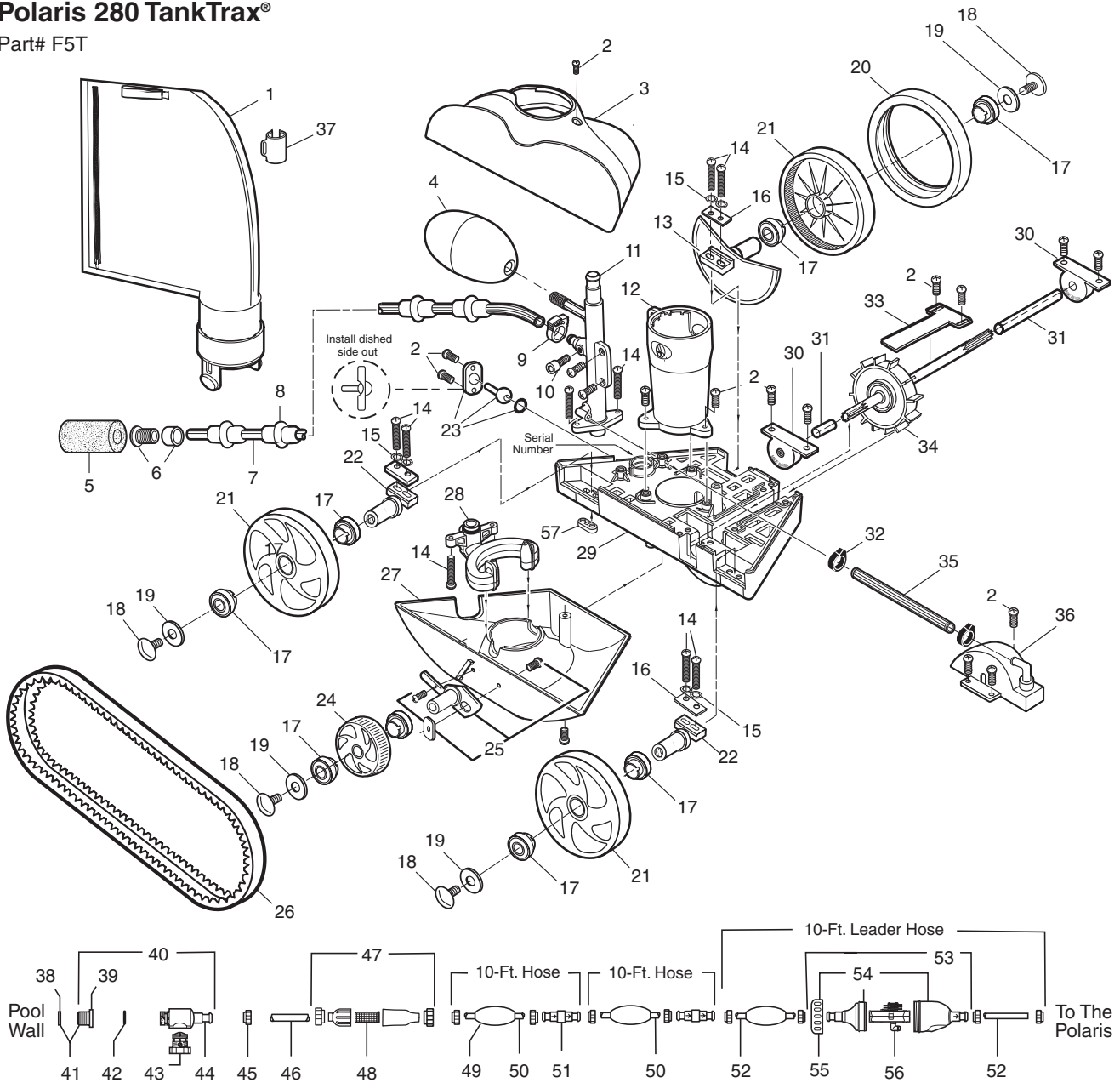
Key No.	Part No.	Description	Pieces	
			in Model	per Part No.
1	K13*	All-Purpose Zippered Bag	1	KIT
2	C40	Screw, 10-32 x 3/8" SS Pan	20	10
3	K5	Top	1	1
4	A20	Float, Head	1	1
5	9-100-3105*	Sweep Hose Scrubber	1	1
5	R0522400	Sweep Hose Scrubber, 3/PK	1	3
6	B25	Orifice Tip w/ Orifice Tip Guard	1	KIT
7	B5	Sweep Hose Complete	1	KIT
8	B10*	Wear Rings	8	1
9	B15	Sweep Hose Attach Clamp	1	1
10	B20	Adjustment Screw, Sweep Hose	1	1
11	K30	Feed Pipe w/ Elbow	1	1
12	K20	Vacuum Tube	1	1
13	C66	Axle, Large (w/ Sand/Gravel Guard)	1	KIT
14	C76	Screw, 10-32 x 7/8" SS Pan, 2/Pk	10	2
15	C45	Lock Washer for C36	7	5
16	C70	Axle Plate for C65/C66	3	1
17	C60*	Ball Bearings, Wheels	8	1
18	C55	Wheel Screw, Plastic	4	1
19	C64	Wheel Washer, Plastic	4	1
20	C10*	Tire, Max Trax®	1	1
21	C6	Wheel, Large (No Bearings Incl.)	3	1
22	K26	Axle Block - TankTrax	2	1
23	C131	Thrust Jet Kit	1	KIT
24	K27	Idler Wheel - TankTrax	1	1
25	K28	Swing Axle Kit - TankTrax	1	KIT
26	C18	Tire, TankTrax	1	1
27	K29	Base - TankTrax	1	1
28	K25	Water Management System	1	KIT
29	K145	Frame	1	1

Key No.	Part No.	Description	Pieces	
			in Model	per Part No.
30	C80*	Ball Bearings, Turbine	2	1
31	C83	Turbine Shaft Tubes	1	KIT
32	9-100-7170	Hose Clamp for WMS	2	6
33	A40	Turbine Shaft Shield	1	KIT
34	C86	Drive Shaft Assembly	1	KIT
35	C120	Hose for C110, 7 1/2"	1	1
36	C110	Turbine Cover w/ Elbow	1	1
37	9-100-1018	Bag Clip	1	1
38	10-112-00	Restrictor Disks, Red and Blue	2	KIT
39	6-500-00	Universal Wall Fitting (UWF®)	1	1
40	9-100-9001	UWF Connector Assembly	1	1
41	10-108-00	UWF Restrictor Kit	1	KIT
42	6-505-00	O-ring, UWF/QD	1	1
43	9-100-9002	Pressure Relief Valve, Black	1	1
44	D29	Quick Disconnect, UWF	1	KIT
45	D15	Nut, Feed Hose	10	1
46	D44	Adapter Hose, 8 1/2"	1	1
47	48-080	In-Line Filter Assembly	1	1
48	48-222	Screen, In-Line Filter	1	1
49	D10	Float, Feed Hose	9	KIT
50	D45	Feed Hose, 10'	2	KIT
51	D20*	Swivel, Ball Bearing	2	1
52	D50	Feed Hose, Leader, 10'	1	KIT
53	G52	Back-Up Valve Kit	1	KIT
54	G54	Case Kit for G52	1	KIT
55	G57	Collar, Back-Up Valve	1	1
56	G53	Mechanism for Back-up Valve	1	KIT
57	R0706000	Wheel Block with Inserts	1	1

*Suggested stocking parts.

Polaris 280 TankTrax®

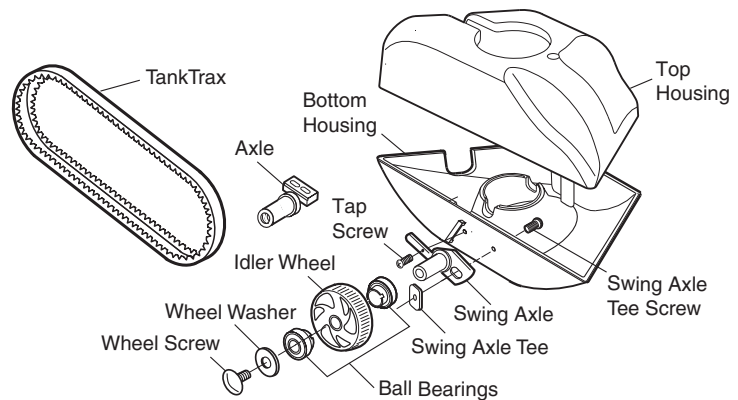
Part# F5T



280 TankTrax Conversion Kit

Part# C15

Part No.	Description	Qty.
K5	Top Housing	1
K29	Bottom Housing	1
C18	TankTrax Tire	1
K26	Axle Block	2
K27	Idler Wheel	1
C60	Ball Bearings, Idler Wheel	2
C64	Wheel Washer, Idler Wheel	1
C55	Wheel Screw, Idler Wheel	1
K28	Swing Axle Kit	1



Polaris 180

Part# F20

Key No.	Part No.	Description	Pieces in Model	Pieces per Part No.
1	A16*	All-Purpose Bag (180)	1	1
2	C40*	Screw, 10-32 x 3/8" SS Pan Head	10	10
3	A5	Top	1	1
4	A20*	Float, Head	1	1
5	9-100-3105*	Sweep Hose Scrubber	1	1
5	R0522400	Sweep Hose Scrubber, 3/PK	1	3
6	B25	Orifice Tip w/ Orifice Tip Guard	1	KIT
7	B5*	Sweep Hose Complete	1	KIT
8	B10*	Wear Rings	8	1
9	B15*	Sweep Hose Attachment Clamp	1	1
10	B20	Adjustment Screw, Sweep Hose	1	1
11	C66	Axle, Large, w/ Sand/Gravel Guard	2	KIT
12	C75	Screw/Nut, 10-32 x 7/8" SS Pan Head	6	KIT
13	C45	Lock Washer for C36	7	5
14	C70	Axle Plate for C65/C66	3	1
15	C60*	Ball Bearings, Wheels	8	1
16	C6*	Wheel, Large, No Bearings Included	3	1
17	C10*	Tire, Max Trax®	3	1
18	C64*	Wheel Washer, Plastic	4	1
19	C55*	Wheel Screw, Plastic	4	1
20	C65	Axle, Large (Rear Wheel Only)	1	KIT
21	C131	Thrust Jet Kit	1	KIT
22	C16*	Idler Wheel, Small	1	1
23	C30	Screw, 4-40 x 3/16" SS Pan Head	1	5
24	C32	Screw, 6-32 x 1/2" SS Pan Head	1	5
25	C25	Spring for C36	1	1
26	C36	Swing Axle Kit	1	KIT
27	A10	Base w/ Bracket	1	KIT
28	C145	Frame (Warranty Only)	1	1
29	C80*	Ball Bearings, Turbine	2	1
30	C83	Turbine Shaft Tubes	1	KIT
31	C86*	Drive Shaft Assembly	1	KIT
32	A40	Turbine Shaft Shield	1	KIT
33	A30	Screw, #10 x 1/2" SS Pan Head, Self-tap	5	5
34	9-100-7170	Hose Clamp for WMS	2	6
35	C120	Hose for C110, 7 1/2"	1	1

Key No.	Part No.	Description	Pieces in Model	Pieces per Part No.
36	C115	Elbow for C110 or Feed Mast Tube	2	1
37	C110	Turbine Cover w/ Elbow	1	1
38	10-112-00	Restrictor Disks, Red and Blue	2	KIT
39	6-500-00	Universal Wall Fitting (UWF®)	1	1
40	9-100-9001*	UWF Connector Assembly	1	1
41	10-108-00	UWF Restrictor Kit	1	KIT
42	6-504-00*	Filter Screen, UWF/QD	1	1
43	6-505-00*	O-ring, UWF/QD	1	1
44	9-100-9002	Pressure Relief Valve, Blk	1	1
45	D29	Quick Disconnect (QD), UWF	1	KIT
46	D15	Nut, Feed Hose	10	1
47	D44	Adapter Hose, 8 1/2"	1	1
48	D20	Swivel, Ball Bearing	3	1
49	D10*	Float, Feed Hose	9	KIT
50	D45	Feed Hose, 10 ft.	2	KIT
51	D50	Feed Hose, Leader, 10 ft.	1	KIT
52	G52*	Back-Up Valve Kit	1	KIT
53	G54	Case Kit for G52	1	KIT
54	G57	Collar, Back-Up Valve	1	1
55	G53	Mechanism for G52	1	1
56	G5	Polaris Feed Hose Complete w/ UWF, No Back-up Valve, No In-Line Filter	1	KIT

180 Rebuild Kit

Part# A47

No.	Part #	Qty.
1	A16*	1
3	A5	1
4	A20*	1
7	B5*	1
9	B15*	1
11	C66	2
15	C60*	8
16	C6*	3
17	C10*	3
18	C64*	4
19	C55*	1
20	C65	1
21	C131	1
22	C16*	1
26	C36	1
27	A10	2
29	C80*	1
30	C83	1
31	C86*	1

180/280 Tune-Up Kit

Part# A49

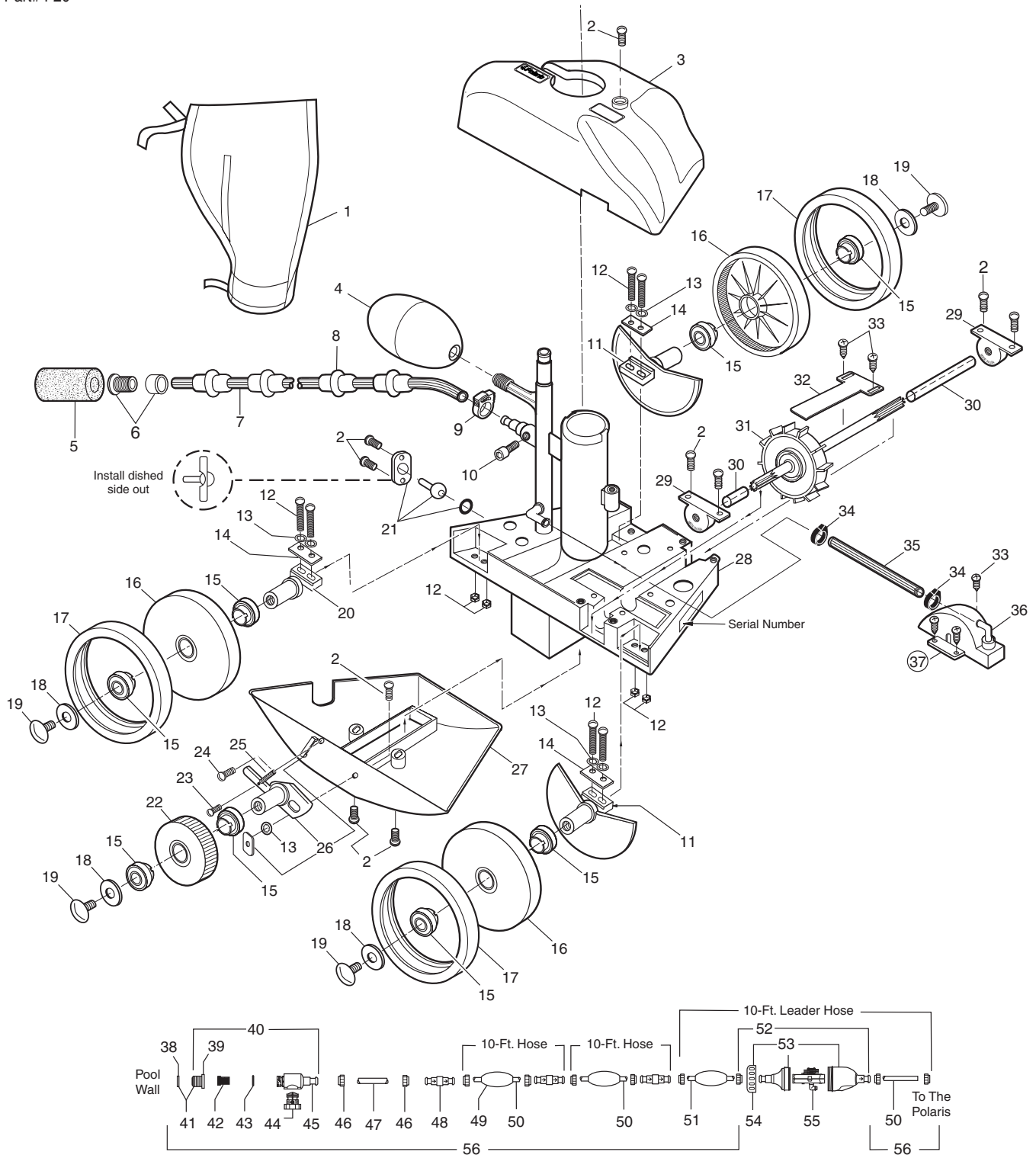
No.	Part #	Qty.
11	C66	2
15	C60*	8
16	C6*	3
17	C10*	3
18	C64*	4
19	C55*	4
20	C65	1
22	C16*	1
26	C36	1
29	C80*	2
30	C83	1
31	C86*	1

*Suggested stocking parts.

Ⓛ-Limited Quantity. Available While Supplies Last.

Polaris 180

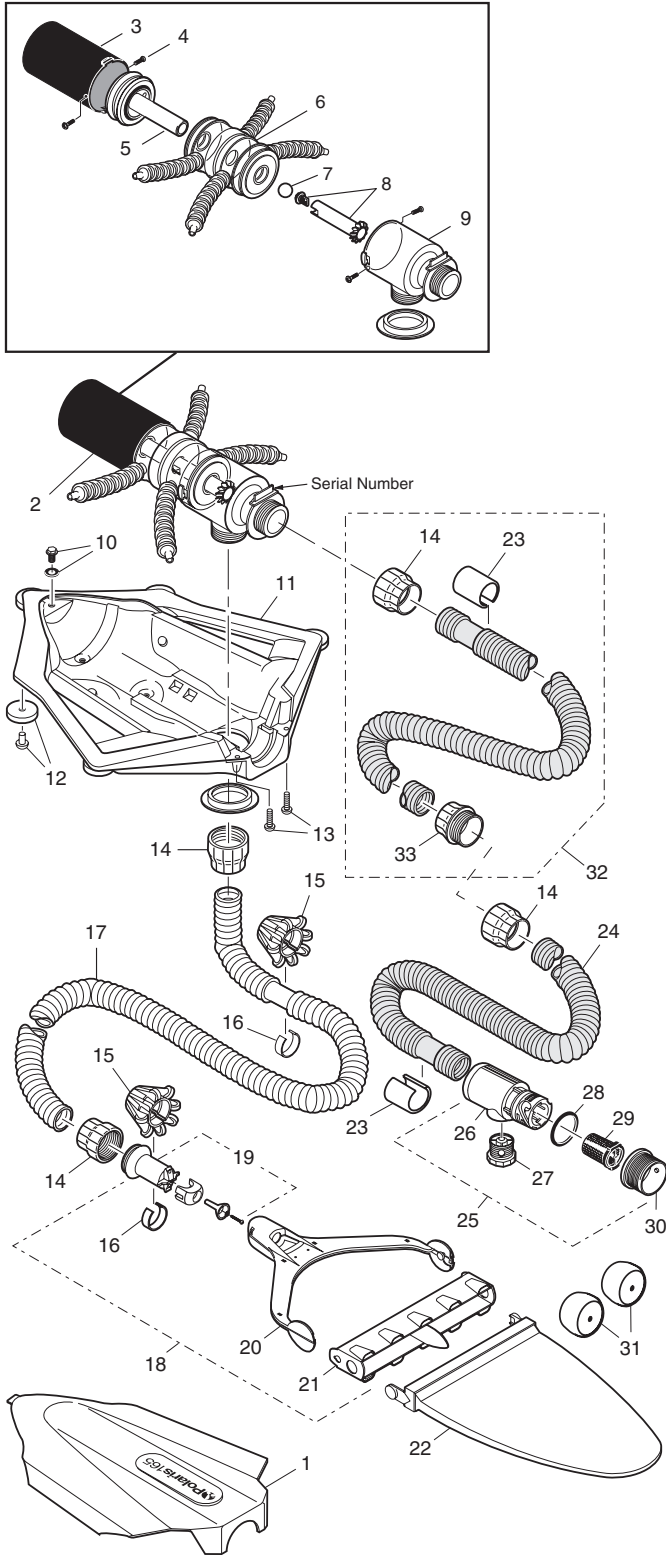
Part# F20



Note: Item 42 must be ordered separately. Not included in Assembly 40 or Assembly 56.

Polaris Vac-Sweep® 165

Part# 6-120-00

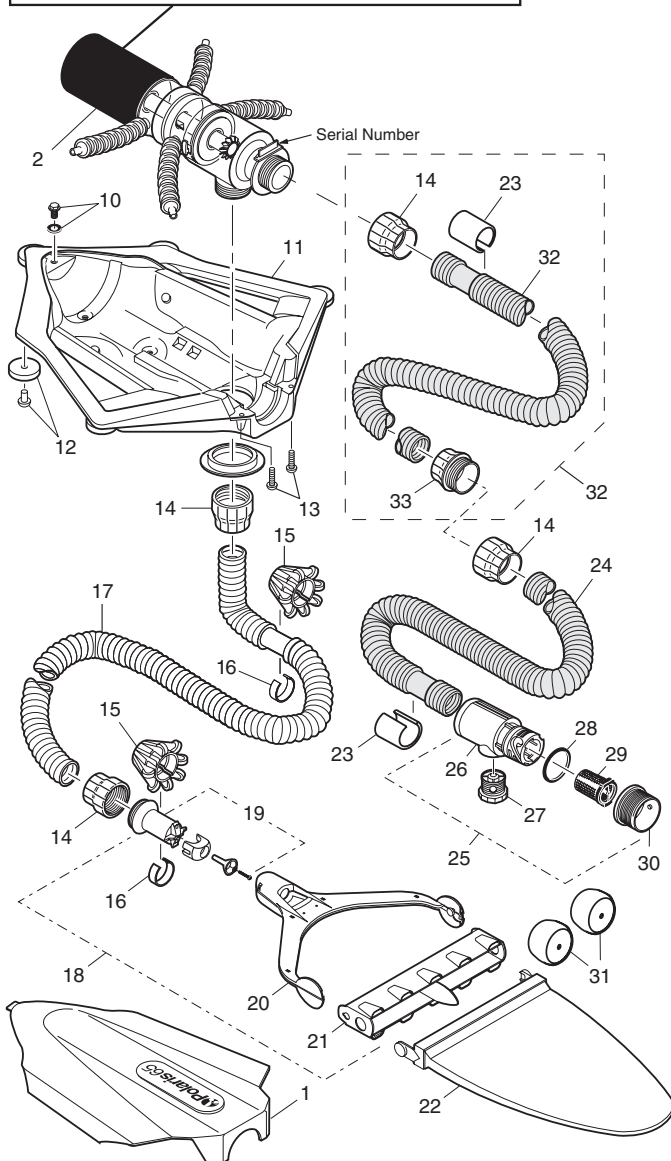
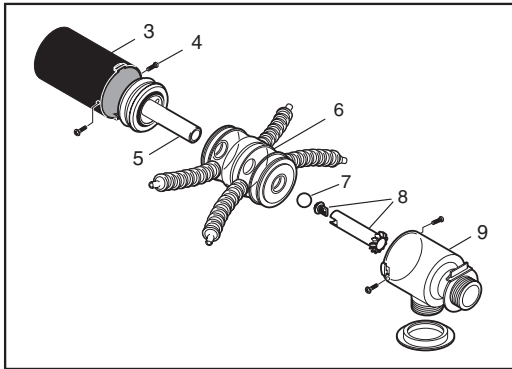


Key No.	Part No.	Description	Pieces	
			in Model	per Part No.
1	6-306-00	Surface Module Top, Granite	1	1
2	6-400-00*	Mechanism	1	1
3	6-407-00	Cylinder	1	1
4	6-413-00	Screw, Mechanism, #6 x 5/16" SS Sheet Metal, Blunt-End	4	1
5	6-411-00	Piston Assembly	1	1
6	6-409-00	Center Chamber Assembly	1	1
7	6-403-00	Randomizer Ball	1	1
8	6-406-00*	Filter Connector/ Randomizer Tube Kit	1	1
9	6-408-00	Connector Chamber	1	KIT
10	6-507-00	Drain Plug Assembly	1	1
11	6-305-00	Body Bottom Assembly	1	1
12	6-301-00	Body Bottom Wheel Kit	5	1
13	6-302-00	Screw, Top, #10 x 3/4" SS Sheet Metal, Pan Head	2	1
14	6-104-00	Hose Connector, Female	4	1
15	6-107-00*	Wheel Cage Assembly	9	1
16	6-110-00	Hose Weight	9	1
17	6-114-00*	Sweep Hose Complete, 10 ft.	1	1
18	6-212-00	Jet Sweep Assembly	1	KIT
19	6-116-00	Jet Body Assembly	1	KIT
20	6-211-00	Jet Sweep Harness	1	1
21	6-210-00	Jet Sweep Head	1	1
22	6-206-00*	All-Purpose Bag	1	1
23	6-222-00	Float	24	1
24	6-225-00	Float Hose, 24 ft. (Hose Only)	1	1
25	6-508-00*	UWF® Connector Assembly	1	1
26	6-502-00	Quick Disconnect, UWF	1	1
27	6-503-00	Pressure Relief Valve	1	1
28	6-505-00*	O-ring, UWF/QD	1	1
29	6-504-00*	Filter Screen, UWF/QD	1	1
30	6-500-00*	Universal Wall Fitting (UWF)	1	1
31	10-107-00	Eyeball Regulator	2	1
32	6-221-00*	Float Hose Extension Kit, 8 ft.	1	KIT
33	6-103-00	Hose Connector, Male	1	1

*Suggested stocking parts.
N/A-Not Available for purchase

Polaris Vac-Sweep® 65

Part# 6-130-00

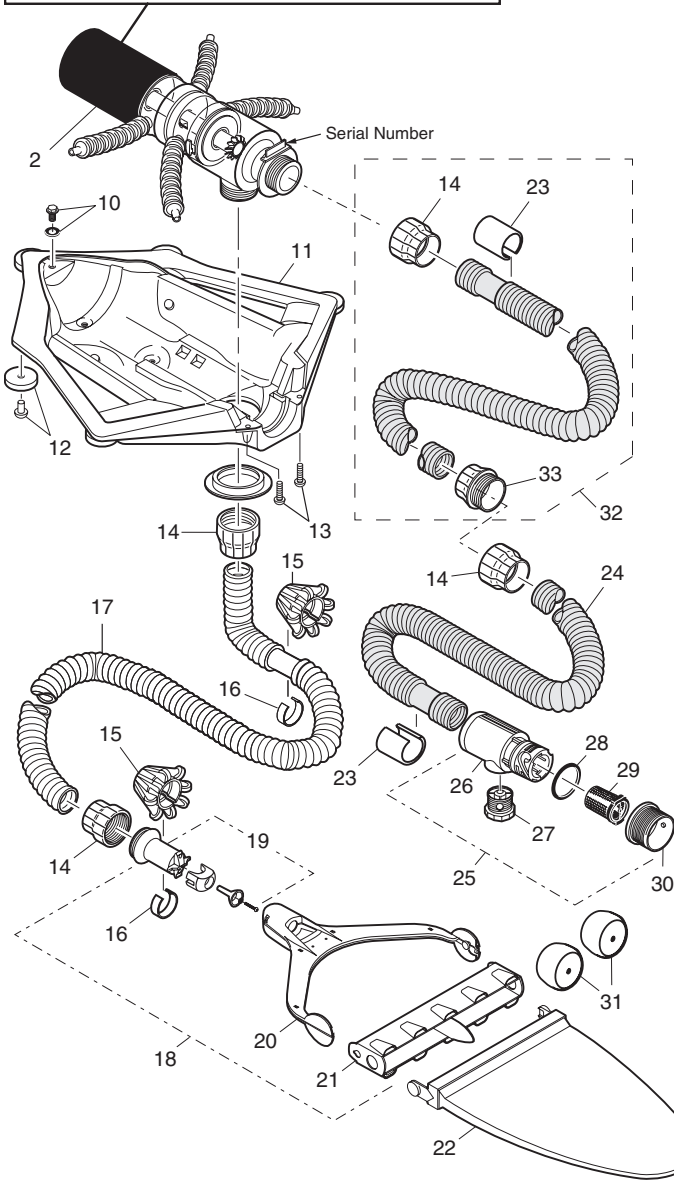
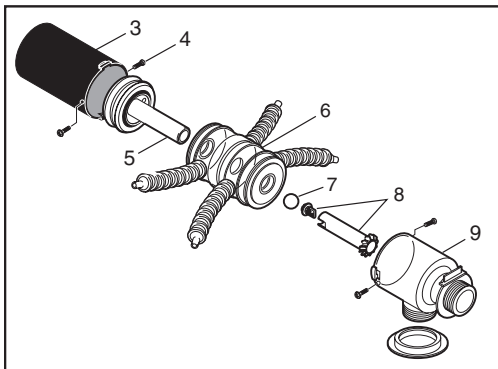


Key No.	Part No.	Description	Pieces in Model	Pieces per Part No.
1	6-308-00	Surface Module Top, Blue	1	KIT
2	6-400-00*	Mechanism	1	1
3	6-407-00	Cylinder	1	1
4	6-413-00	Screw, Mechanism, #6 x 5/16" SS Sheet Metal, Blunt-End	4	1
5	6-411-00	Piston Assembly	1	1
6	6-409-00	Center Chamber Assembly	1	1
7	6-403-00	Randomizer Ball	1	1
8	6-406-00*	Filter Connector/ Randomizer Tube Kit	1	1
9	6-408-00	Connector Chamber	1	KIT
10	6-507-00	Drain Plug Assembly	1	1
11	6-305-00	Body Bottom Assembly	1	1
12	6-301-00	Body Bottom Wheel Kit	5	1
13	6-302-00	Screw, Top, #10 x 3/4" SS Sheet Metal, Pan Head	2	1
14	6-104-00	Hose Connector, Female	3	1
15	6-107-00*	Wheel Cage Assembly	6	1
16	6-110-00	Hose Weight	6	1
17	6-106-00*	Sweep Hose Complete, 7 ft.	1	1
18	6-212-00	Jet Sweep Assembly	1	KIT
19	6-116-00	Jet Body Assembly	1	KIT
20	6-211-00	Jet Sweep Harness	1	1
21	6-210-00	Jet Sweep Head	1	1
22	6-206-00*	All-Purpose Bag	1	1
23	6-222-00	Float	24	1
24	6-225-00	Float Hose, 24 ft.	1	1
25	6-508-00*	UWF® Connector Assembly	1	1
26	6-502-00	Quick Disconnect, UWF	1	1
27	6-503-00	Pressure Relief Valve	1	1
28	6-505-00*	O-ring, UWF/QD	1	1
29	6-504-00*	Filter Screen, UWF/QD	1	1
30	6-500-00*	Universal Wall Fitting (UWF)	1	1
31	10-107-00	Eyeball Regulator	2	1
32	6-221-00*	Float Hose Extension Kit, 8 ft.	1	KIT
33	6-103-00	Hose Connector, Male	1	1

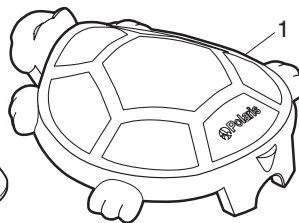
*Suggested stocking parts.
N/A-Not Available for purchase

Polaris Turbo Turtle®

Part# 6-130-00T



Key No.	Part No.	Description	Pieces	
			in Model	per Part No.
1	6-309-00	Turtle Top	1	1
2	6-400-00*	Mechanism	1	1
3	6-407-00	Cylinder	1	1
4	6-413-00	Screw, Mechanism, #6 x 5/16" SS Sheet Metal, Blunt-End	4	1
5	6-411-00	Piston Assembly	1	1
6	6-409-00	Center Chamber Assembly	1	1
7	6-403-00	Randomizer Ball	1	1
8	6-406-00*	Filter Connector/Randomizer Tube Kit	1	1
9	6-408-00	Connector Chamber	1	KIT
10	6-507-00	Drain Plug Assembly	1	1
11	6-305-00	Body Bottom Assembly	1	1
12	6-301-00	Body Bottom Wheel Kit	5	1
13	6-302-00	Screw, Top, #10 x 3/4" SS Sheet Metal, Pan Head	2	1
14	6-104-00	Hose Connector, Female	3	1
15	6-107-00*	Wheel Cage Assembly	6	1
16	6-110-00	Hose Weight	6	1
17	6-106-00*	Sweep Hose Complete, 7 ft.	1	1
18	6-212-00	Jet Sweep Assembly	1	KIT
19	6-116-00	Jet Body Assembly	1	KIT
20	6-211-00	Jet Sweep Harness	1	1
21	6-210-00	Jet Sweep Head	1	1
22	6-206-00*	All-Purpose Bag	1	1
23	6-222-00	Float	24	1
24	6-225-00	Float Hose, 24 ft.	1	1
25	6-508-00*	UWF® Connector Assembly	1	1
26	6-502-00	Quick Disconnect, UWF	1	1
27	6-503-00	Pressure Relief Valve	1	1
28	6-505-00*	O-ring, UWF/QD	1	1
29	6-504-00*	Filter Screen, UWF/QD	1	1
30	6-500-00*	Universal Wall Fitting (UWF)	1	1
31	10-107-00	Eyeball Regulator	2	1
32	6-221-00*	Float Hose Extension Kit, 8 ft.	1	KIT
33	6-103-00	Hose Connector, Male	1	1



Polaris 480PRO Black Max™ Parts

Part No.	Description	Pieces per Part No.
BAG PARTS		
48-234	Disposable Bag, Black w/o Collar, 3/PK	3
48-237	Disposable Bag, Black w/ Collar, 3/PK	1
B3	Sweep Hose Weight, Black	1
B6	Sweep Hose Complete, Black	KIT
B16	Sweep Hose Attachment Clamp, Black	1
HEAD PARTS		
48-049	Tire, PosiTrax® Black for Fiberglass and Tile Pools Only	1
48-202	480 Lower Housing, Black	KIT
48-203	480 Upper Housing/Handle Assembly, Black	KIT
48-204	480 Vacuum Tube and Feedpipe, Black	1
48-208	480 Vacuum Plate Assembly, Black	KIT
48-230	Bag Clip Assembly, Black	1
48-231	480 Wide Wheel, Black	1
48-232	480 WideTrax® Tire, Black	1
48-233	480 Wheel Hubcap, Black	1
48-247	License Plate w/ Logo, Black	1
B11	Wear Ring, Black	1
HOSE PARTS		
D11	Float, Feed Hose, Black	KIT
D21	Swivel, Ball Bearing, Black	1
D47	Feed Hose, Black	KIT
D52	Leader Hose, Black	KIT
G62	Back-Up Valve, Black (480/380/280)	KIT
G64	Case Kit for G62, Black (480/380/280)	KIT
48-085	In-Line Filter Assembly, Black	1
48-236	480 Bag Clasp, Black	1
48-240	Feed Hose Connector Assembly, Black	1
48-270	Feed Hose Assembly, Black	KIT
6-550-00	Universal Wall Fitting, Black (480/380/360/280)	1
9-100-9005	UWF® Connector Assembly, Black (480/380/280)	1
48-212	480PRO Tune-Up Kit, Black	KIT

Polaris Vac-Sweep® 380 Black Max Parts

Part No.	Description	Pieces per Part No.
BAG PARTS		
9-100-1016	All-Purpose Bag, Black (380/360)	1
9-100-1019	Bag Collar, Black (380/280)	1
9-100-1022	Zippered All-Purpose Bag, Black (380/360)	1
9-100-1025	EZ Bag, Disposable Filter Bag, Black, w/o Collar, 3/PK (380/360)	3
9-100-1026	EZ Bag, Disposable Filter Bag, Black, w/ Collar, 3/PK (380/360)	3
HEAD PARTS		
A21	Float, Head, Black (380/360/280)	1
B3	Sweep Hose Weight, Black (380/360/280)	1
B6	Sweep Hose Complete, Black (380/280)	KIT
B16	Sweep Hose Attach Clamp, Black (380/360/280)	1
C11	Tire, Max Trax®, Black (380/360/280)	1
C14	Tire, PosiTrax for Fiberglass and Tile Pools Only, Black (380/360/280)	1
9-100-1004	Wheel, Double-Side, Black (380/360)	1
9-100-1115	Hub Cap, Black (380/360)	3
9-100-1117	Wheel, Single-Side, Black (380/360)	KIT
9-100-1242	Top Assembly, Black (380/360)	KIT
9-100-7007	Feed Pipe/Timer Blank Assembly, Black (380)	1
9-100-7027	Base Assembly, Black (380/360)	KIT
9-100-7031	Top and Base Assembly Kit, Black (380/360)	1
HOSE PARTS		
B11	Wear Ring, Black	1
D11	Float, Feed Hose, Black (380/280)	KIT
D16	Nut, Feed Hose, Black (380/280)	1
D21	Swivel, Ball Bearing, Black (380/280)	1
D30	Quick Disconnect, UWF, Black (380/280)	KIT
D47	Feed Hose, 10', Black (380/280)	KIT
D52	Leader Hose, 10', Black (380/280)	KIT
G6	Feed Hose Complete w/ UWF, No Back-up Valve, Black (380/280)	KIT
G60	Double Acting Back-up Valve, Black	1
G62	Back-up Valve, Black (380/280)	KIT
G64	Case Kit for G62, Black (380/280)	KIT
G67	Collar, Back-up Valve, Black (380/360/280)	1

Continued on next page.

Polaris Vac-Sweep® 380 Black Max™ Parts

Part No.	Description	Pieces per Part No.
HOSE PARTS (Continued)		
48-085	In-Line Filter Assembly, Black (380/360/280)	1
48-222	Screen, In-Line Filter Only (480/380/280)	1
6-550-00	Universal Wall Fitting, Black (380/360/280)	1
9-100-3105	Sweep Hose Scrubber	1
R0522400	Sweep Hose Scrubber, 3/PK	3
9-100-3107	Leader Hose w/ Floats, Black (380/280)	KIT
9-100-9005	UWF® Connector Assembly, Black (380/280)	1
9-100-9006	Pressure Relief Assembly, Black (380/280)	1

Polaris Vac-Sweep 360 Black Max Parts

Part No.	Description	Pieces per Part No.
BAG PARTS		
9-100-1016	All-Purpose Bag, Black (380/360)	1
9-100-1022	Zippered All-Purpose Bag, Black (380/360)	1
9-100-1025	EZ Bag, Disposable Filter Bag, Black, w/o Collar, 3/PK (380/360)	1
9-100-1026	EZ Bag, Disposable Filter Bag, Black, w/ Collar, 3/PK (380/360)	3
9-100-3136	Bag Clip, Black (360)	1
HEAD PARTS		
A21	Float, Head, Black (380/360/280)	1
B3	Weight, Sweep Hose, Black (380/360/280)	1
B16	Sweep Hose Attach Clamp, Black (380/360/280)	1
C11	Tire, Max Trax®, Black (380/360/280)	1
C14	Tire, PosiTrax® for Fiberglass and Tile Pools Only, Black (380/360/280)	1
9-100-1001	Feed Pipe/Timer Blank Assembly, Black (360)	KIT
9-100-1004	Wheel, Double-Side, Black (380/360)	KIT
9-100-1020	Sweep Hose Complete, Black (360)	KIT
9-100-1115	Hub Cap, Black (380/360)	3
9-100-1117	Wheel, Single-Side, Black (380/360)	KIT
9-100-1242	Top Assembly, Black (380/360)	KIT
9-100-7027	Base Assembly, Black (380/360)	KIT
9-100-7031	Top and Base Assembly, Black, Complete (Kit replaces pre-Y03 360 Housing)	1

Polaris Vac-Sweep 360 Black Max Parts

Part No.	Description	Pieces per Part No.
HOSE PARTS		
B11	Wear Rings, Black	1
G67	Collar, Back-up Valve, Black (380/360/280)	1
6-550-00	Universal Wall Fitting (UWF), Black (380/360/280)	1
9-100-1201	In-Line Back-up Valve, Black (360)	KIT
9-100-1203	Case Kit, In-Line Back-up Valve, Black (360)	KIT
9-100-1207	Float, Feed Hose, Black (360)	KIT
9-100-1209	Double Acting Back-up Valve	KIT
9-100-3003	Swivel, Hose, Black (360)	1
9-100-3007	Quick Disconnect, UWF, Black (360)	KIT
9-100-3010	UWF Connector Assembly, Black (360)	KIT
9-100-3011	Pressure Relief Valve, Black (360)	1
9-100-3101	Feed Hose Complete w/ UWF, No Back-up Valve, Black (360)	KIT
9-100-3105	Sweep Hose Scrubber	1
R0522400	Sweep Hose Scrubber	3
9-100-3110	Feed Hose, 6 ft., Black (360)	1
9-100-3111	Feed Hose, 1 ft., Black (360)	1
9-100-3112	Hose Nut, Black (360)	1
BAG PARTS		
K17	All-Purpose Bag, Black	1
K18	Sand/Silt Bag, Black	1
K22	EZ Bag, Disposable Filter Bag w/ Collar, Black, 3/PK (280)	3
K23	Zippered All-Purpose Bag, Black (280)	1
K24	EZ Bag, Disposable Filter Bag w/o Collar, Black, 3/PK (280)	1
48-058	SuperBag, All-Purpose, double zipper w/ Collar, Black (480/280)	1

Polaris Vac-Sweep® 280 Black Max™ Parts

Part No.	Description	Pieces per Part No.
BAG PARTS		
9-100-1019	Bag Collar, Black (380/280)	1
HEAD PARTS		
A21	Float, Head, Black (380/360/280)	1
B3	Weight, Sweep Hose, Black (380/360/280)	1
B6	Sweep Hose Complete, Black (380/280)	KIT
HEAD PARTS (Continued)		
B16	Sweep Hose Attach Clamp, Black (380/360/280)	1
C7	Wheel, Large, No Bearings Included, Black (280)	1
C11	Tire, Max Trax®, Black (380/360/280)	1
C14	Tire, PosiTrax®, for Fiberglass and Tile Pools Only, Black (380/360/280)	1
C17	Idler Wheel, Small, Black	1
C19	Tire, TankTrax®, Black	1
C23	Upgrade Kit, TankTrax, Black (280)	KIT
C24	Conversion Kit, TankTrax, Black (280)	KIT
C56	Wheel Screw, Plastic, Black (280)	1
C67	Wheel Washer, Plastic, Black (280)	1
C68	Axle, Large w/ Sand/Gravel Guard, Black (280)	KIT
K6	Top, Black	1
K11	Bottom w/ Bracket, Black	1
K21	Vacuum Tube, Black	1
K31	Feed Pipe w/ Elbow, Black	1
K146	Frame, Black (Warranty Only)	1
HOSE PARTS		
B11	Wear Rings, Black	1
D11	Float, Feed Hose, Black (380/280)	1
D16	Nut, Feed Hose, Black (380/280)	1
D21	Swivel, Ball Bearing, Black (380/280)	1
D30	Quick Disconnect, UWF®, Black (380/280)	KIT
D47	Feed Hose, 10 ft., Black (380/280)	KIT
D52	Leader Hose, 10 ft., Black (380/280)	KIT
G6	Feed Hose Complete w/ UWF, No Back-up Valve, Black (380/280)	KIT
G60	Double Acting Back-up Valve, Black	1
G62	Back-up Valve, Black (380/280)	KIT
G64	Case Kit for G62, Black (380/280)	KIT

Polaris Vac-Sweep 280 Black Max Parts

Part No.	Description	Pieces per Part No.
HOSE PARTS (Continued)		
G67	Collar, Back-up Valve, Black (380/360/280)	1
48-085	In-Line Filter Assembly, Black	1
48-222	Screen, In-Line Filter (480/380/280)	1
6-550-00	Universal Wall Fitting, Black (380/360/280)	1
9-100-3105	Sweep Hose Scrubber	1
R0522400	Sweep Hose Scrubber, 3/PK	3
9-100-3107	Leader Hose w/ Floats, Black (380/280)	KIT
9-100-9005	UWF Connector Assembly, Black (380/280)	1
9-100-9006	Pressure Relief Assembly, Black (380/280)	1

Polaris 9400 Sport Robotic (Discontinued)

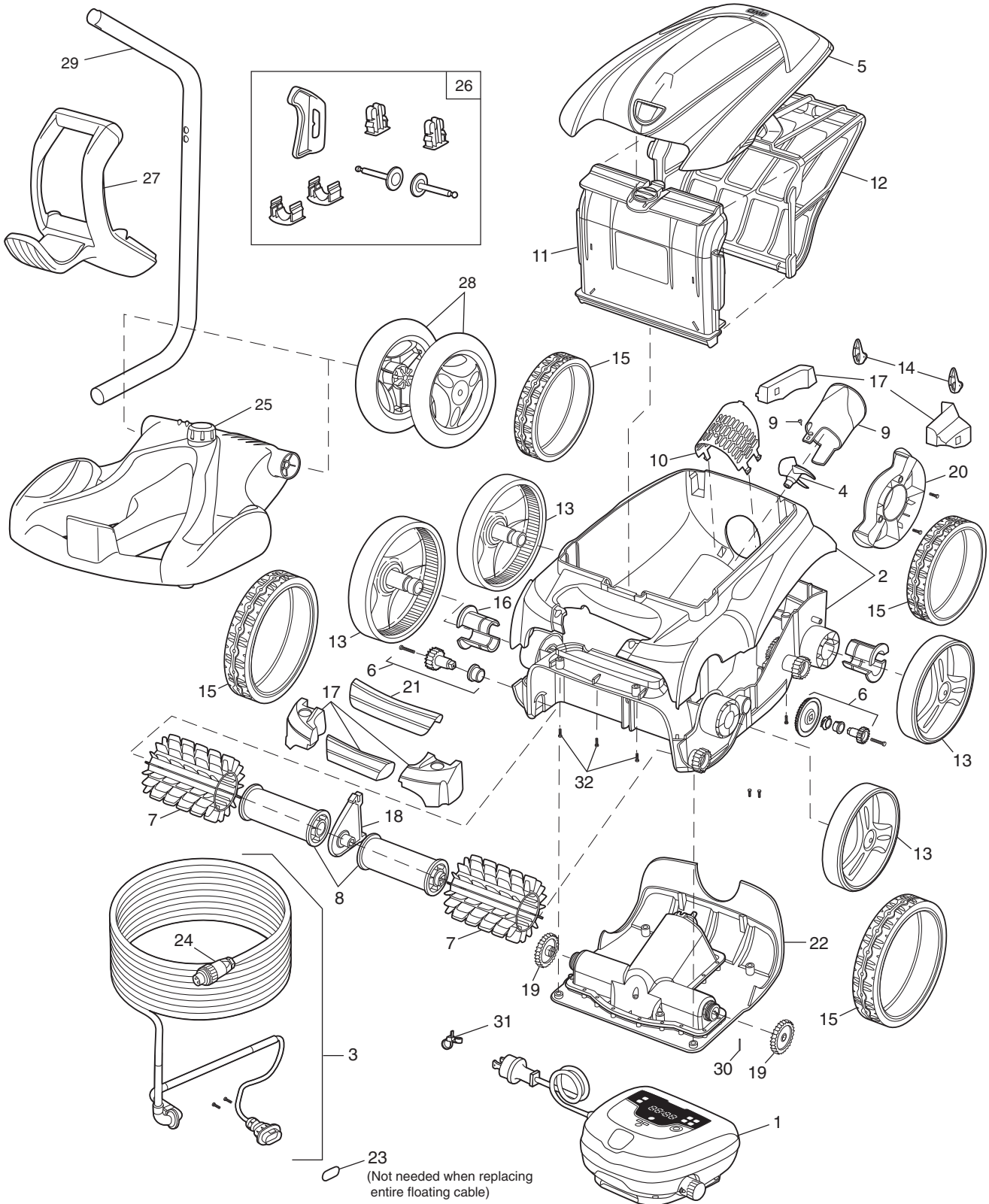
Part# F9400

Key No.	Part No.	Description	Pieces	
			in Model	per Part No.
CONTROL UNIT				
1	R0564700	Control Unit Complete, P9400 (new)	1	1
CLEANER				
2	R0539200	Main Housing (Top/Bottom)	1	1
3	R0516800	Floating Cable	1	1
4	R0517000	Propeller Kit	1	1
5	R0539400	Hood Kit	1	1
6	R0517200	Transmission Kit	4	1
7	R0517300	Brush Set, 2/PK	2	2
8	R0517400	Brush Holder Kit	2	2
9	R0517500	Flow Outlet Kit	1	1
10	R0517600	Motor Screen Kit	1	1
11	R0517700	Filter Canister Inlet Housing	1	1
12	R0535900	General Purpose Canister	1	1
12	R0517800	Fine Filter Canister	1	1
12	R0535800	Ultra Fine Sand/Silt Canister	1	1
13	R0539500	Wheel	4	1
14	R0518100	Roller Kit, 2/PK	2	2

Key No.	Part No.	Description	Pieces	
			in Model	per Part No.
15	R0539600	Tire, Grey	4	1
16	R0518500	Wheel Bushing (2 required for 1 wheel)	8	1
17	R0539700	Float Kit	1	1
18	R0518700	Roller Support Kit	1	1
19	R0518800	Drive Gear Kit	2	2
20	R0540300	Cover Wheels Kit	2	1
21	R0540400	Handle Kit	1	1
22	R0638000	Motor Block Type C	1	1
23	R0544100	O-Ring 21 x 2mm Kit	1	1
24	R0565600	Floating Cable Plug Kit	1	1
25	R0564800	Caddy Base	1	1
26	R0564900	Caddy Accessories Kit	1	1
27	R0565000	Control Unit Mounting Bracket Kit	1	1
28	R0565100	Caddy Wheels Kit	1	1
29	R0565200	Caddy Tube Kit	1	1
30	R0567800	Motor Block Pin Shaft, 5/PK	1	5
31	R0567900	Cable Clamp Kit	2	5
32	R0516700	Screw M4* 12mm, 5/PK	15	5

Polaris 9400 Sport Robotic (Discontinued)

Part# F9400



Polaris 9300xi Sport Robotic (Discontinued)

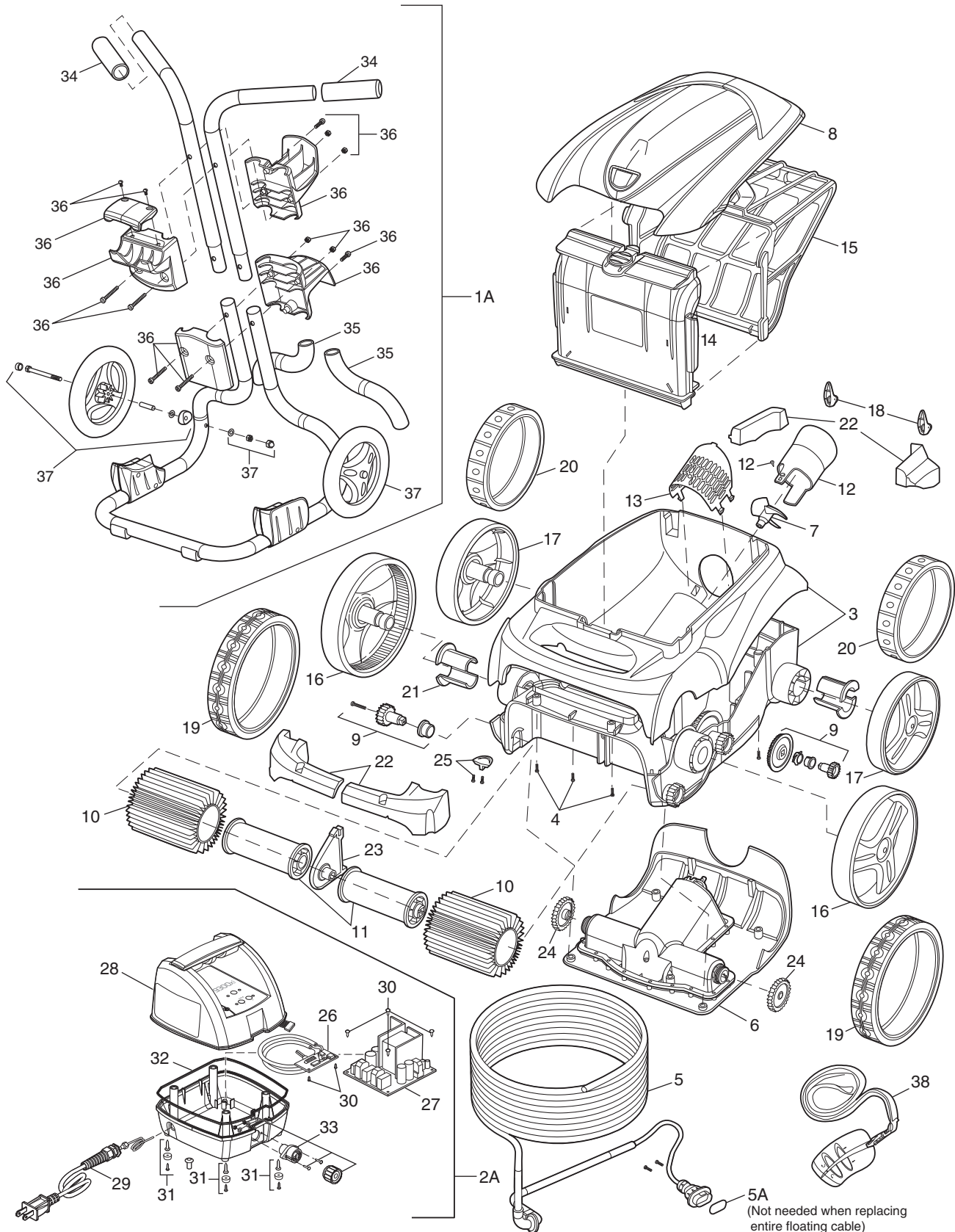
Part# F9300xi

Key No.	Part No.	Description	Pieces in Model	Pieces per Part No.
CLEANER				
1A	R0516200	Caddy	1	1
2A	R0528600	Control Unit Complete	1	1
3	R0589100	Main Housing (Top and Bottom)	1	1
4	R0516700	Screw Kit, 5/PK	15	5
5	R0528700	Cable (Floating)	1	1
5A	R0544100	O-ring 21 x 2mm Kit	1	1
6	R0637900	Motor Block Type B	1	1
7	R0517000	Propeller	1	1
8	R0517100	Complete Cover	1	1
9	R0517200	Transmission Gear/ Bushing (2 sets)	2	1
10	R0528900	Brush Kit	2	1
11	R0517400	Brush Roller Kit, 2/PK	2	2
12	R0517500	Flow Outlet	1	1
13	R0517600	Flow Outlet Screen	1	1
14	R0517700	Filter Canister Support	1	1
15	R0535900	General Purpose Canister	1	1
15	R0517800	Fine Filter Canister	1	1
15	R0535800	Ultra Fine Sand/Silt Canister	1	1
16	R0529000	Front Wheel	2	1
17	R0529100	Rear Wheel	2	1
18	R0518100	Roller Kit, 2/PK	2	2
19	R0529300	Front Tire	2	1

Key No.	Part No.	Description	Pieces in Model	Pieces per Part No.
20	R0529400	Rear Tire	2	1
21	R0518500	Wheel Bushing (2 required for 1 wheel)	8	1
22	R0539700	Float Kit	1	1
23	R0518700	Brush Separator	1	1
24	R0518800	Drive Gear Kit	2	2
25	R0519000	Ramp Kit	1	1
CONTROL UNIT				
26	R0528400	Keyboard PCB Kit	1	1
27	R0506600	Control Unit PCB Kit	1	1
28	R0528500	Top Housing	1	1
29	R0506800	Control Unit Cord Kit	1	1
30	R0507000	PCB Screw Kit	6	1
31	R0507100	Control Unit Housing Screw	8	1
32	R0507200	Control Unit Gasket	1	1
33	R0529500	Power Cord Kit	1	KIT
CADDY				
34	R0507300	Caddy Handle Grip Kit	2	2
35	R0516100	Caddy Shoulder Grip Kit	2	1
36	R0518900	Control Unit Mounting Bracket Kit	1	KIT
37	R0507500	Wheel Kit Caddy	2	KIT
REMOTE CONTROL				
38	R0529600	Remote Control Kit	1	1

Polaris 9300xi Sport Robotic (Discontinued)

Part# F9300xi



Polaris 9300 Sport Robotic (Discontinued)

Part# F9300

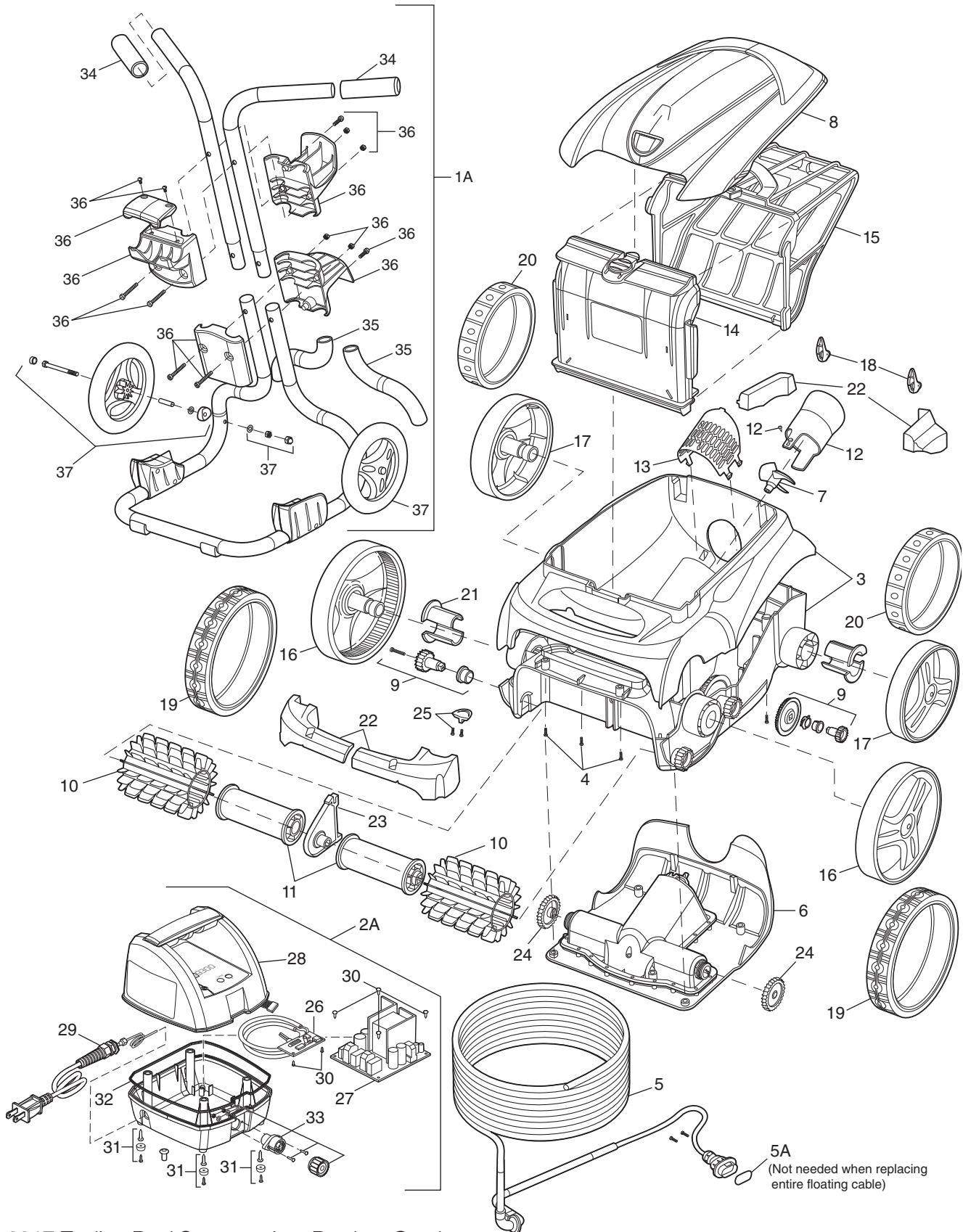
Key No.	Part No.	Description	Pieces	
			in Model	Pieces per Part No.
CLEANER				
1A	R0516200	Caddy	1	1
2A	R0516500	Control Unit Complete	1	1
3	R0589100	Main Housing (Top and Bottom)	1	1
4	R0516700	Screw Kit, 5/PK	15	5
5	R0516800	Cable (Floating)	1	1
5A	R0544100	O-ring 21 x 2mm Kit	1	1
6	R0637800	Motor Block Type A	1	1
7	R0517000	Propeller	1	1
8	R0517100	Complete Cover	1	1
9	R0517200	Transmission Gear/Bushing, 2/PK	2	2
10	R0517300	Brush Set, 2/PK	2	2
11	R0517400	Brush Roller Kit, 2/PK	2	2
12	R0517500	Flow Outlet	1	1
13	R0517600	Flow Outlet Screen	1	1
14	R0517700	Filter Canister Support	1	1
15	R0517800	Fine Filter Canister	1	1
15	R0535900	General Purpose Canister	1	1
15	R0535800	Ultra Fine Sand/Silt Canister	1	1
16	R0529000	Front Wheel	2	1
17	R0529100	Rear Wheel	2	1
18	R0518100	Roller Kit, 2/PK	2	2

Key No.	Part No.	Description	Pieces	
			in Model	Pieces per Part No.
19	R0529300	Front Tire	2	1
20	R0529400	Rear Tire	2	1
21	R0518500	Wheel Bushing (2 required for 1 wheel)	8	1
22	R0539700	Float Kit	1	1
23	R0518700	Brush Separator	1	1
24	R0518800	Drive Gear Kit	2	2
25	R0519000	Ramp Kit	1	1
CONTROL UNIT				
26	R0516300	Keyboard PCB Kit	1	1
27	R0506600	Control Unit PCB Kit	1	1
28	R0516400	Top Housing	1	1
29	R0506800	Control Unit Cord Kit	1	1
30	R0507000	PCB Screw Kit	6	1
31	R0507100	Control Unit Housing Screw	8	1
32	R0507200	Control Unit Gasket	1	1
33	R0529500	Power Cord Kit	1	1
CADDY				
34	R0507300	Caddy Handle Grip Kit	2	2
35	R0516100	Caddy Shoulder Grip Kit	2	1
36	R0518900	Control Unit Mounting Bracket Kit	1	KIT
37	R0507500	Wheel Kit Caddy	2	KIT

N/A-Not Available

Polaris 9300 Sport Robotic (Discontinued)

Part# F9300



Polaris 9100 Sport Robotic (Discontinued)

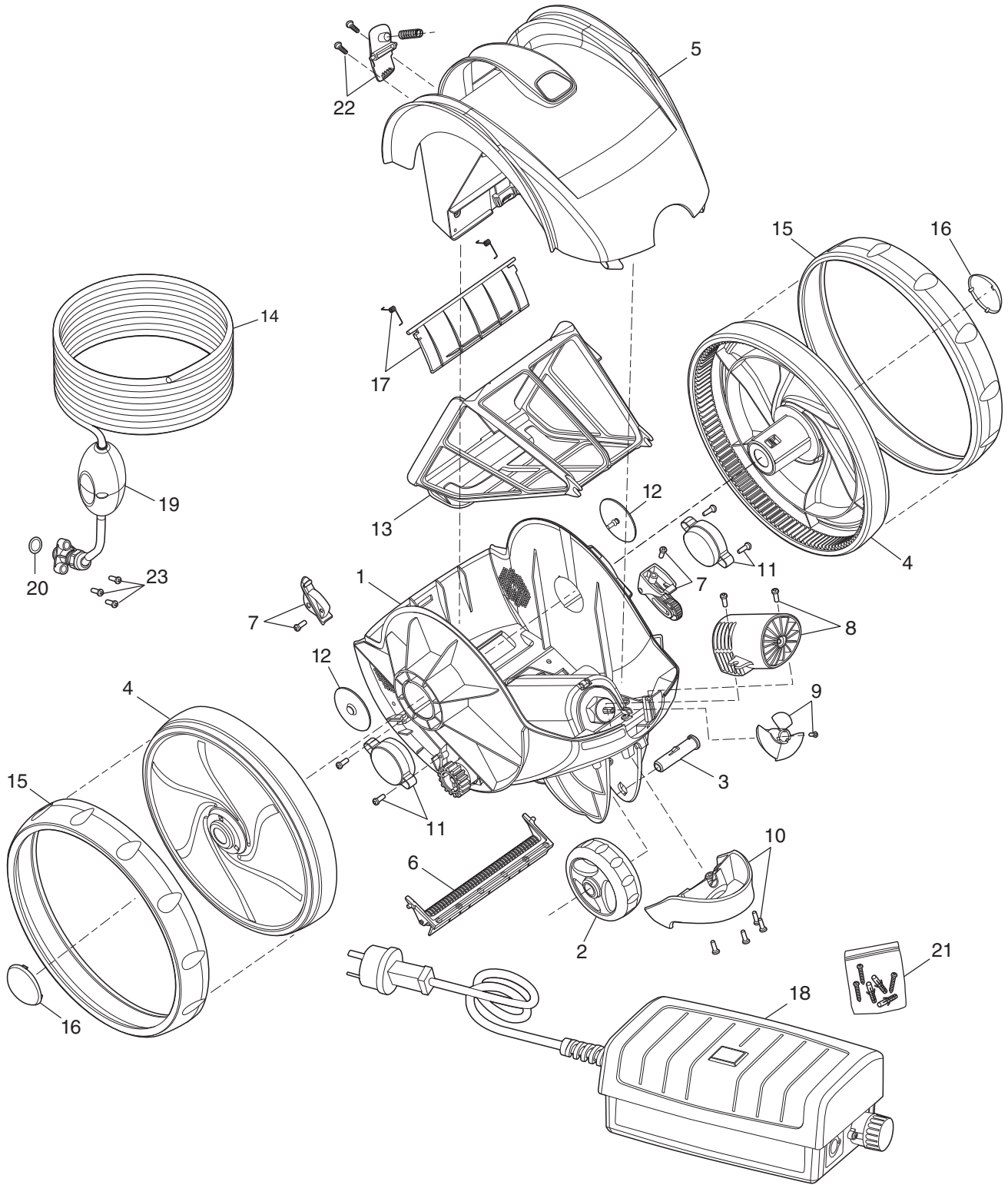
Part# F9100

Key No.	Part No.	Description	Pieces in Model	Pieces per Part No.
1	R0531802	Lower Housing Assembly, Blue	1	1
2	R0530305	Rear Wheel	1	1
3	R0530405	Rear Wheel Shaft Kit	1	1
4	R0530205	Wheel, w/o Tire	2	KIT
5	R0530505	Top Cover Assembly, Blue	1	1
6	R0530905	Brush Kit	1	1
7	R0545005	Rotation Kit (Right/Left)	2	KIT
8	R0531005	Outlet Kit	1	KIT
9	R0531105	Impeller	1	KIT
10	R0531505	Rear Handle Kit	1	KIT
11	R0531405	Weight Kit	2	KIT
12	R0531305	Drain Valve	2	2

Key No.	Part No.	Description	Pieces in Model	Pieces per Part No.
13	R0531206	All Purpose Canister	1	1
14	R0530705	Floating Cable, 50 ft.	1	KIT
15	R0531905	Tire	2	1
16	R0532005	Wheel Dome	2	2
17	R0530605	Inlet Check Valve	1	KIT
18	R0529905	Control Unit	1	1
19	R0530805	Float Kit, Cable	1	1
20	R0545105	O-ring, Cable Connector	1	2
21	R0530005	Wall Anchor Kit, Control Unit	1	KIT
22	R0545205	Release Tab	1	KIT
23	R0544905	Screw Kit, PH 4 x 12A4	25	5

Polaris 9100 Sport Robotic (Discontinued)

Part# F9100



Polaris 480 PRO (Discontinued)

Part# F4

Key No.	Part No.	Description	Pieces	
			in Model	Pieces per Part No.
1	48-057	SuperBag (Double)*	1	KIT
2	48-133	Disposable Bag, 3PK*	1	3
3	48-130	Bag Clip Assembly	2	1
4	48-047	License Plate w/ Logo	1	KIT
5	C40	Screw, 10-32 x 3/8" SS Pan Head	23	10
6	48-003	Upper Housing/Handle Assembly	1	KIT
7	48-141	O-ring, Feed Hose Connector	1	1
8	9-100-5107	E-clip, Stainless Steel	3	5
9	48-020	Gearbox Assembly	1	1
10	48-004	Vacuum Tube/Feedpipe w/ two (2) O-rings	1	KIT
11	48-016	O-ring, WMS Upper to Feedpipe	1	1
12	48-033	Hubcap	3	1
13	48-232	Wide Trax® Tire*	3	1
13	48-048	PosiTrax Tire	3	1
14	48-036	Wheel Lock Screw	3	1
15	48-034	Bushing	7	2
16	48-031	Wheel	3	1
17	48-006	Chain Kit	1	KIT
18	48-035	Wheel Sprocket Kit	3	KIT
19	48-060	Axle Block, Wheel	3	1
20	48-050	Idler Tensioner Assembly	1	1
21	48-045	Screw, 10-32 x 7/8" SS Pan Head w/ Star Washer	8	KIT
22	9-100-3105	Sweep Hose Scrubber*	1	1
23	B25	Orifice Tip w/ Orifice Tip Guard	1	KIT
24	B10	Sweep Hose Wear Ring*	8	1
25	B5	Sweep Hose Complete*	1	KIT

Key No.	Part No.	Description	Pieces	
			in Model	Pieces per Part No.
26	48-019	Nut, Sweep Hose	1	1
27	48-002	Lower Housing	1	KIT
28	48-010	WMS Assembly w/ one (1) O-ring	1	1
29	48-008	Vacuum Plate Assembly	1	KIT
30	10-112-00	UWF® Restrictor Disk, Red and Blue	2	KIT
31	10-108-00	UWF Restrictor Kit	1	KIT
32	6-500-00	UWF	1	1
33	6-505-00	O-ring, UWF	1	1
34	9-100-9002	Pressure Relief Valve	1	1
35	D29	Quick Disconnect, UWF	1	KIT
36	9-100-9001	UWF Connector Assembly	1	1
37	D15	Nut, Feed Hose	10	1
38	D44	Adapter Hose, 8½"	1	1
39	48-080	In-line Filter Assembly	1	1
40	48-222	Screen, In-line Filter	2	1
41	D10	Float, Feed Hose	11	1
42	D20	Swivel Ball Bearing	2	1
43	D45	Feed Hose, 10'	2	KIT
44	D50	Leader Hose, 10'	1	KIT
45	G52	Back-up Valve Kit	1	KIT
46	G53	Mechanism for G52	1	KIT
47	48-136	Bag Clasp	1	1
48	48-140	Feed Hose Connector Assembly	1	1
49	48-070	Feed Hose Assembly	1	KIT
N/S	48-001	Frame (Exchange only)	1	1

*Suggested stocking item

N/S-Not Shown

NOTE: Black Max™ parts are not indicated on exploded parts diagrams or parts list. Refer to Black Max Parts List on pages 331-333.

480 Tune-Up Kit ①

Part #48-210

No.	Part No.	Qty.
1	48-135	1
3	48-130	1
7	48-141	1
12	48-033	3
13	48-032	3
14	48-036	3
15	48-034	6
16	48-031	3
18	48-035	3
19	48-060	3
20	48-050	1
22	9-100-3105	1
47	48-136	1

480 TankTrax® Conversion Kit ①

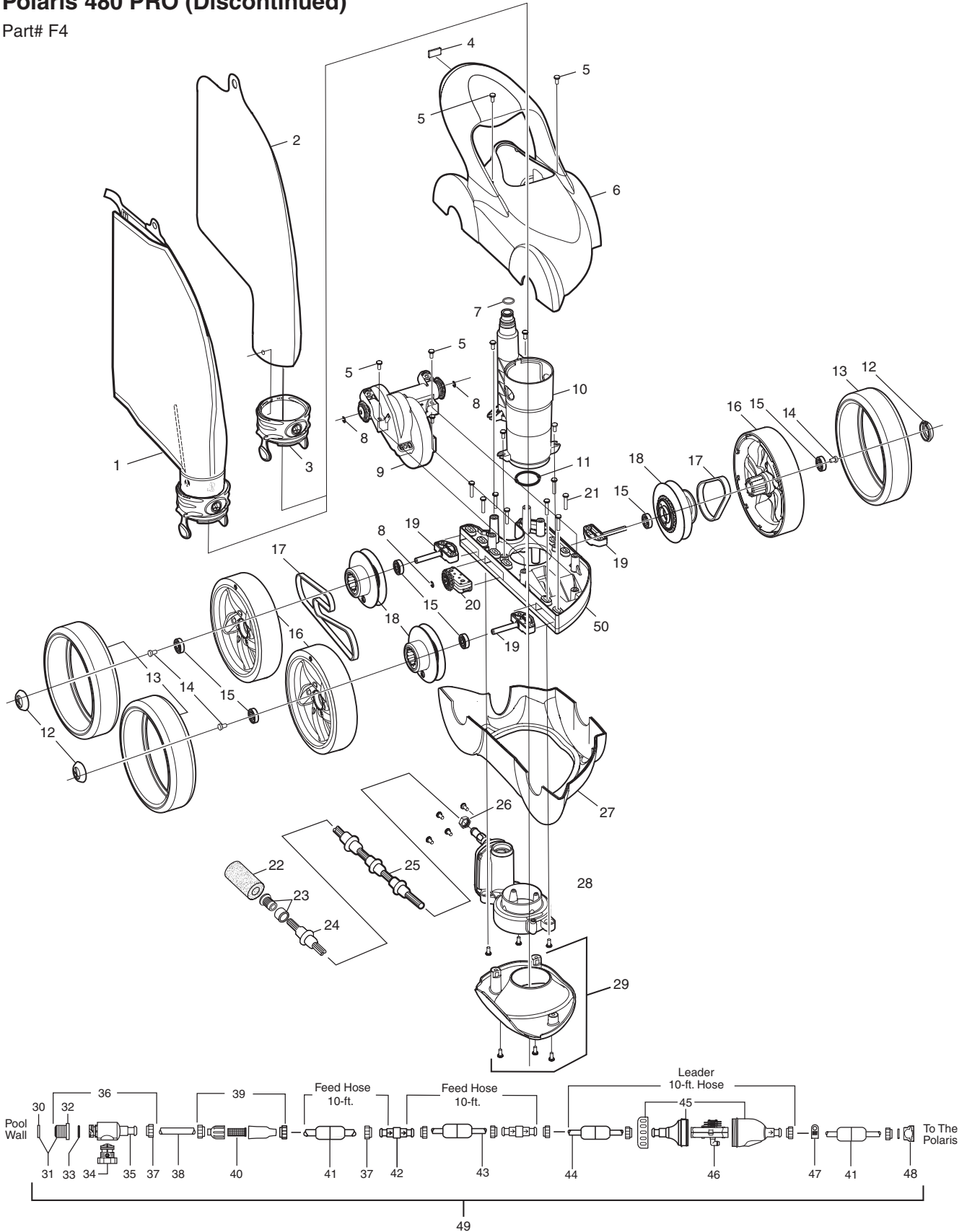
Part# 48-038

Description	Qty.
480 Track Vacuum Plate	1
Track Tire Roller	2
480 Track Tire	1
10-32 X 3/8" Pph M/S 18-8	3
Long Chain - Track Tire - 57 Link	1
480 Chain Tensioner	1
Instructions 480 TankTrax Kit	1

①-Limited Quantity. Available While Supplies Last.

Polaris 480 PRO (Discontinued)

Part# F4



Polaris ATV® Parts List (Discontinued)

Part# F7

Key No.	Part No.	Description	Pieces	
			in Model	per Part No.
1	5-2025	Propeller Grid, ATV	1	1
2	9-100-5117	Screw, 8-32 x 3/8" SS Pan Head	12	5
3	5-2020	Top Housing, ATV	1	KIT
4	5-6000	Propeller	1	1
5	5-4030	Hub Cap ATV	3	1
6	9-100-5107	E-Clip, Stainless Steel	7	5
7	9-100-1108	Ball Bearing	6	1
8	5-4025	Tire, Max Trax®, ATV	3	1
9	5-4020	Wheel Assembly, ATV	3	1
10	5-5200	Belt Kit, Small and Large	1	KIT
11	9-100-7011	Shield, Bearing	3	1
12	5-1020	Pulley/Retainer Clip	1	KIT
13	5-4500	Axle Block Assembly	3	1
14	5-1010	Belt Tensioner Block	1	1
15	9-100-5130	Lock Washer, Axle Block	8	4
16	9-100-5115	Screw, 8-32 x 3/4 " SS Pan Head	8	5
17	5-1000	Frame (Warranty Only)	1	1
18	5-2010	Flotation, Top, Front and Rear	1	1
19	5-5000	Power Module Assembly	1	1
20	5-5060	Swivel Assembly	1	1
21	5-2050	Bottom Housing	1	1
22	5-3000	Bottom Plate	1	KIT
23	5-7100	Universal Adapter	1	1
24	5-7000	Flow Regulator	1	1
25	5-7250	Elbow, 45-Degree	1	1

Key No.	Part No.	Description	Pieces	
			in Model	per Part No.
26	5-7200	Elbow, 90-Degree	1	1
27	5-5570	Single, Standard Hose	12	1
28	5-7300	Hose Weight	2	1
29	5-5580	Leader Hose	1	1
30	5-7050	Flow Indicator	1	1
N/S	5-5040	Reverse Drive Mechanism Kit, ATV, 340	2	KIT
N/S	5-5050	Power Module Gear Kit	1	KIT

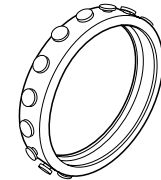
N/S-Not Shown

ATV Rebuild Kit

Part# 5-9420

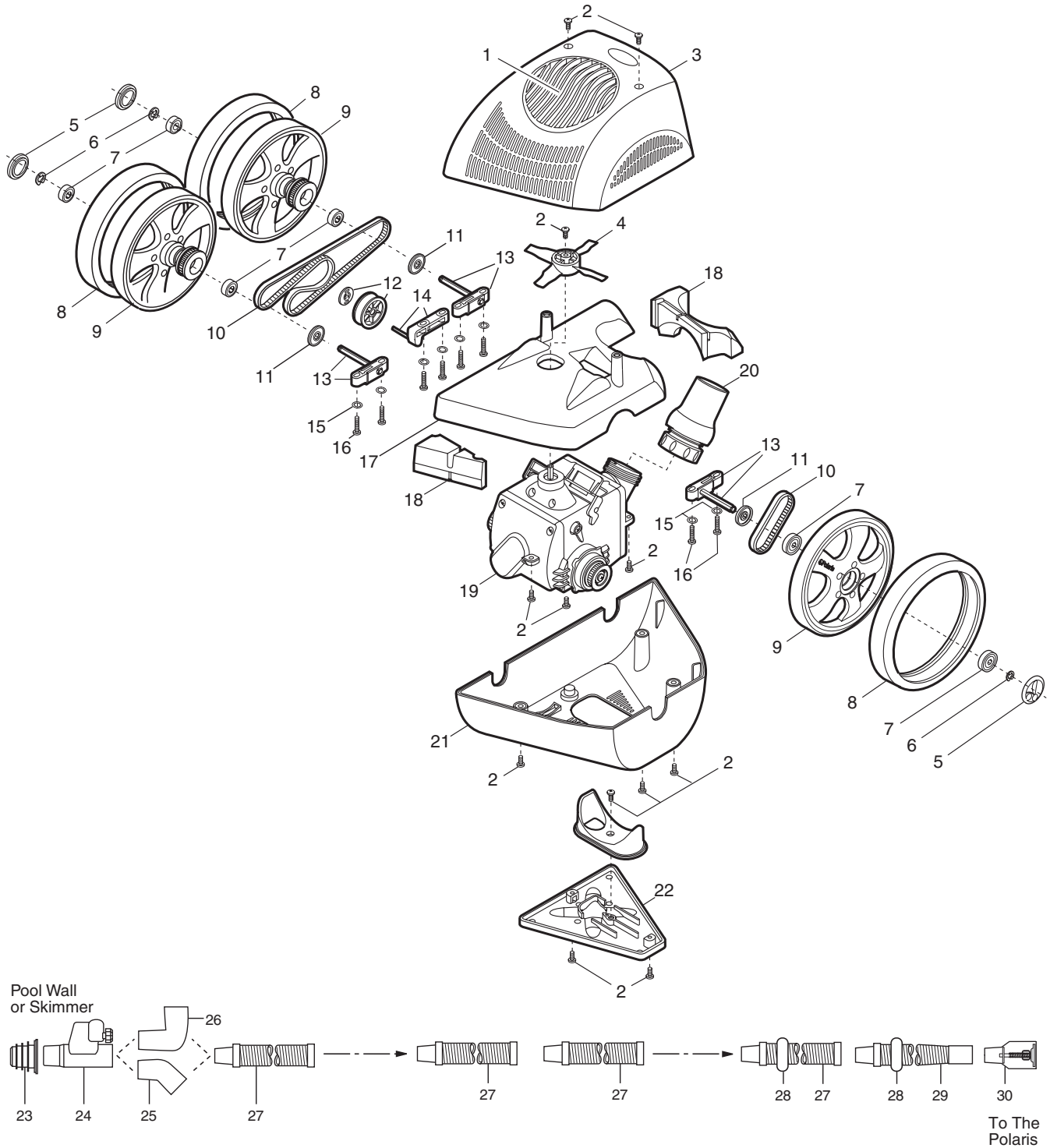
No.	Part No.	Qty.
3	5-2020	1
4	5-6000	1
5	5-4030	3
6	9-100-5107	7
7	9-100-1108	6
8	5-4025	3
9	5-4020	3
10	5-5200	1
11	9-100-7011	3
12	5-1020	1
13	5-4500	3
18	5-2010	1
19	5-5000	1
20	5-5060	1
21	5-2050	1
22	5-3000	1
28	5-7300	2

NOTE: Black Max™ parts are not indicated on exploded parts diagrams or parts list.



Polaris ATV® Parts Diagram (Discontinued)

Part #F7



Pumps

Filters

Heaters

Heat
Pumps

Automation

Water
Leveling

Water
Sanitizers

Valves

Water
Designs

Lighting

Cleaners

Accessories

NEW!



Zodiac MX8 Elite

Zodiac MX8™ Elite

- Cyclonic Scrubbing Brushes tackle fine and stuck-on debris
- Ultra-efficient premium suction-side cleaner
- Operates in all in-ground pools
- Compatible with variable-speed pumps. Works on low-flow
- Connects directly to skimmer or dedicated 1.5" vacuum line
- Includes 39 ft. of feed hose and flow regulator valve

Part No.	Description
----------	-------------

MX8EL	Zodiac MX8 Elite
-------	------------------



Zodiac MX8

Zodiac MX8™

- Ultra-efficient premium suction-side cleaner
- Operates in all in-ground pools
- Compatible with variable-speed pumps. Works on low-flow
- Connects directly to skimmer or dedicated 1.5" vacuum line
- Includes 39 ft. of feed hose and flow regulator valve

Part No.	Description
----------	-------------

MX8	Zodiac MX8
-----	------------



Zodiac MX6

Zodiac MX6™

- Ultra-efficient suction-side cleaner
- Operates in all in-ground pools
- Compatible with variable-speed pumps. Works on low-flow
- Connects directly to skimmer or dedicated 1.5" vacuum line
- Includes 32 ft. of feed hose and flow regulator valve

Part No.	Description
----------	-------------

MX6	Zodiac MX6
-----	------------



Zodiac T5 Duo

Zodiac T5 Duo®

- Premium suction-side cleaner with silent Dura Life™ Diaphragm Technology
- Operates in all in-ground pools
- BONUS! Cyclonic Leaf Catcher
- Connects directly to skimmer or dedicated 1.5" vacuum line
- Includes 39 ft. of feed hose



BONUS
Cyclonic
Leaf Catcher
Included

Part No.	Description
----------	-------------

T5	Zodiac T5 Duo
----	---------------



Zodiac TR2D

Zodiac TR2D

- In-ground suction-side cleaner with silent Dura Life Diaphragm Technology.
- Connects directly to skimmer or dedicated 1.5" vacuum line
- Includes 32 ft. of feed hose

Part No.	Description
----------	-------------

WS000016	Zodiac TR2D
----------	-------------



Zodiac Ranger

Zodiac Ranger®

- Aboveground suction-side cleaner
- Connects directly to skimmer
- Includes 32 ft. of feed hose

Part No.	Description
----------	-------------

W01698	Zodiac Ranger
--------	---------------



Zodiac Wahoo

Zodiac Wahoo

- Aboveground suction-side cleaner
- Connects directly to skimmer
- Includes 32 ft. of feed hose

Part No.	Description
----------	-------------

W70482	Zodiac Wahoo
--------	--------------

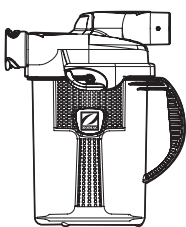
Note: Discontinued Zodiac cleaner parts start on page 363.

Zodiac Cleaner Accessories

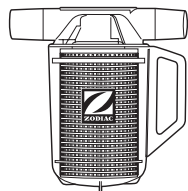
Part No.	Description
FRV100	Flow Regulator Valve
CLC500	Cyclonic Leaf Catcher
R0691700	CLC500 Strainer Basket
R0623400	CLC500 Relief Valve
R0623300	CLC500 O-ring (seal)
W26705	Leaf Catcher
W43905**	Leaf Catcher Basket
R0533300**	Leaf Catcher Hose Adapter
W44000**	Leaf Catcher O-ring (seal)
W44700**	Leaf Catcher Lid (top)
X77094	Suction Fitting Adapter
R0697100	Manual Vac Head Hose Adaptor

Part No.	Description
W24100	Universal Return Line Diverter, 2/PK
W46155	Wheel Deflector 16" Turquoise (Ranger®)
W69742	Wheel Adapter
R0532400	Twist-Lock 45° Elbow, Ext.
R0541900	Wheel Deflector Hose Mount, Blue
R0538800	Quick Release Wheel Deflector, Blue
R0595300	Adjustable Elbow
R0714300	Cyclonic Scrubbing Turbine Assembly
R0714400	Cyclonic Scrubbing Brushes, 4/PK

**For W26705 Leaf Catcher



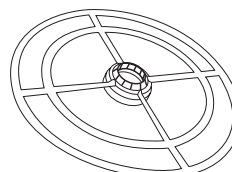
Cyclonic Leaf Catcher CLC500



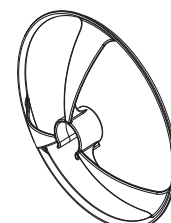
Leaf Catcher W26705



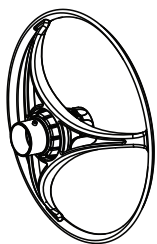
Flow Regulator Valve FRV100



16" Wheel Deflector W46155



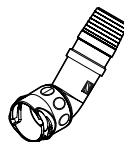
Wheel Deflector Hose Mount, Blue R0541900



Quick Release Wheel Deflector T3® R0538800



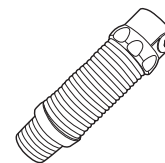
Leaf Catcher Twist Lock Hose Adapter R0533300



Adjustable Elbow R0595300



Twist-Lock 45° Elbow, Extended R0532400



Suction Fitting Adapter X77094



Manual Vac Head Hose Adaptor R0697100



Wheel Adapter W69742



Cyclonic Scrubbing Turbine Assembly R0714300

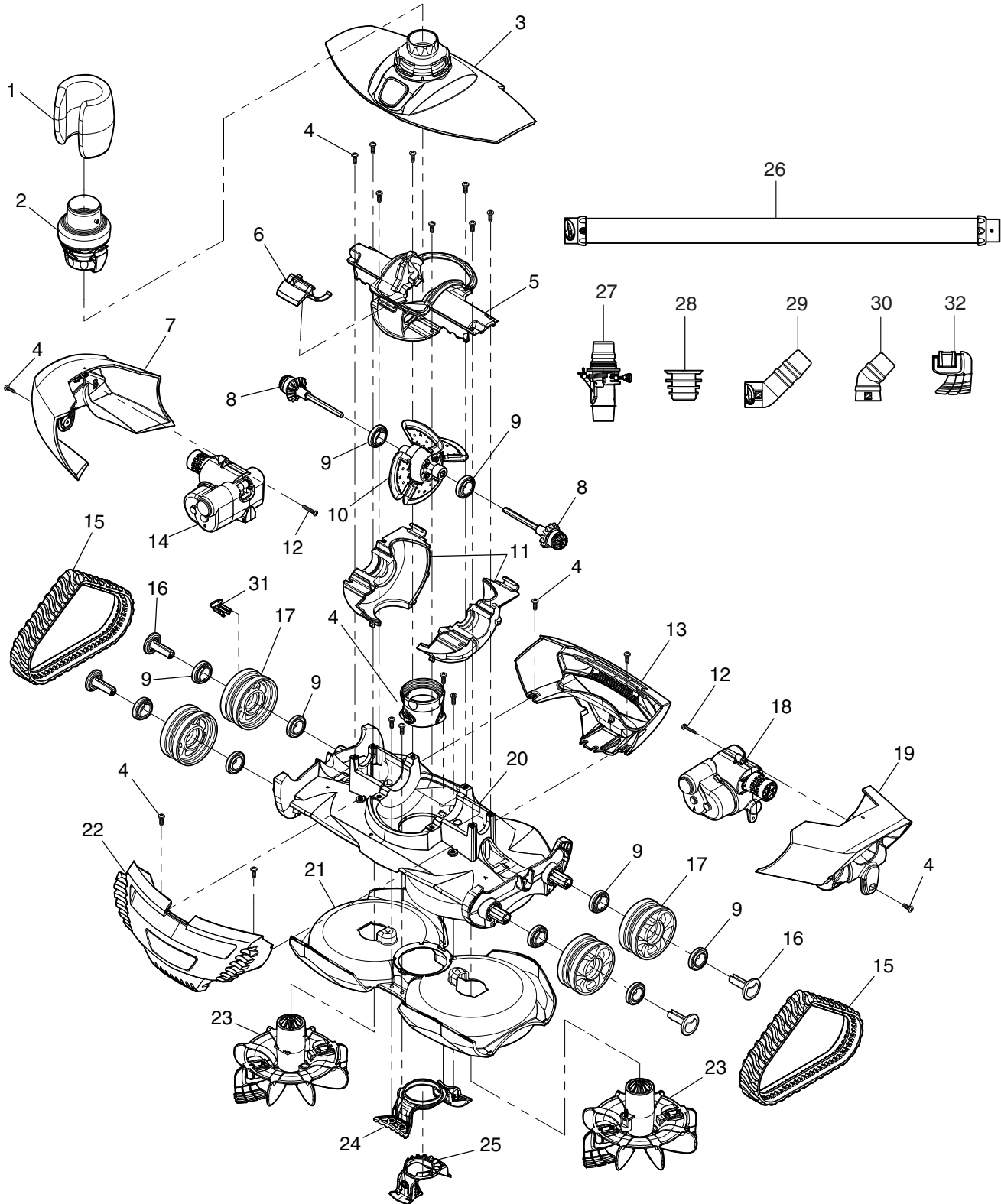
Zodiac MX8™ Elite

Part# MX8EL

Key No.	Part No.	Description	Pieces in Model	Pieces per Part No.
1	R0526800	Hose Float	1	1
2	FRV100	Flow Regulator Valve	1	1
3	R0525400	Top Cover w/ Swivel Assembly	1	1
4	R0527100	Screw, M4 x 12mm, Phillips #2 Pan Head	18	5
5	R0545700	Middle Engine Housing w/ Ramp and 2 Seals R2	1	1
6	R0526300	Cover Latch	1	1
7	R0526600	Body Panel, Right (B)	1	1
8	R0525100	Drive Shaft Assembly	2	1
9	R0527000	Bearing (Wheel and Engine)	10	1
10	R0524900	Engine Assembly	1	1
11	R0525800	Lower Engine Housing	1	KIT
12	R0527200	Screw, Thread Forming, #6-18 7/8" Type A, Phillips #2 Pan Head	2	5
13	R0525600	Body Panel, Rear (D)	1	1
14	R0524800	Direction Control Device, Side B	1	KIT
15	R0526100	Track	2	1

Key No.	Part No.	Description	Pieces in Model	Pieces per Part No.
16	R0545800	Wheel Pin R2	4	1
17	R0526000	Wheel	4	1
18	R0524700	Direction Control Device - Side A	1	KIT
19	R0526700	Body Panel, Left (A)	1	1
20	R0727400	Chassis Assembly	1	1
21	R0715900	Lower Body Housing	1	1
22	R0715800	Body Panel, Front MX8 Elite	1	1
23	R0714300	Cyclonic Scrubbing Turbine Assembly, 2/PK	2	2
24	R0535500	Inlet Assembly	1	1
25	R0535600	Regular Opening	1	1
26	R0527800	Twist Lock Hose - 1 Meter, Blue/Gray, 12/PK	12	12
27	R0527400	Flowkeeper™ Valve	1	1
28	R0527600	In-Ground Valve Cuff	1	1
29	R0532400	Twist-Lock 45 Deg Elbow, Extended	1	1
30	R0532500	45 Deg Elbow	1	1
31	R0596100	Wheel Speed Indicator	1	1
32	R0714400	Cyclonic Scrubbing Brush, 4/PK	4	4

Zodiac MX8™ Elite Part# MX8EL



Zodiac MX8™

Part# MX8

Key No.	Part No.	Description	Pieces in Model	Pieces per Part No.
1	R0526800	Hose Float	1	1
2	FRV100	Flow Regulator Valve	1	1
3	R0525400	Top Cover w/ Swivel Assembly	1	1
4	R0527100	Screw, M4 x 12mm, Phillips #2 Pan Head	18	5
5	R0545700	Middle Engine Housing w/ Ramp and 2 Seals R2	1	1
6	R0526300	Cover Latch	1	1
7	R0526600	Body Panel, Right (B)	1	1
8	R0525100	Drive Shaft Assembly	2	1
9	R0527000	Bearing (Wheel and Engine)	10	1
10	R0524900	Engine Assembly	1	1
11	R0525800	Lower Engine Housing	1	KIT
12	R0527200	Screw, Thread Forming, #6-18 7/8" Type A, Phillips #2 Pan Head	2	5
13	R0525600	Body Panel, Rear (D)	1	1
14	R0524800	Direction Control Device, Side B	1	KIT
15	R0526100	Track	2	1

Key No.	Part No.	Description	Pieces in Model	Pieces per Part No.
16	R0545800	Wheel Pin R2	4	1
17	R0526000	Wheel	4	1
18	R0524700	Direction Control Device - Side A	1	KIT
19	R0526700	Body Panel, Left (A)	1	1
20	R0727400	Chassis Assembly	1	1
21	R0525700	Lower Body Housing	1	1
22	R0525500	Body Panel, Front (C)	1	1
23	R0525000	Cyclonic Turbine	2	1
24	R0535500	Inlet Assembly	1	1
25	R0535600	Regular Opening	1	1
26	R0527800	Twist Lock Hose - 1 Meter, Blue/Gray, 12/PK	12	12
27	R0527400	Flowkeeper™ Valve	1	1
28	R0527600	In-Ground Valve Cuff	1	1
29	R0532400	Twist-Lock 45 Deg Elbow, Extended	1	1
30	R0532500	45 Deg Elbow	1	1
31	R0596100	Wheel Speed Indicator	1	1

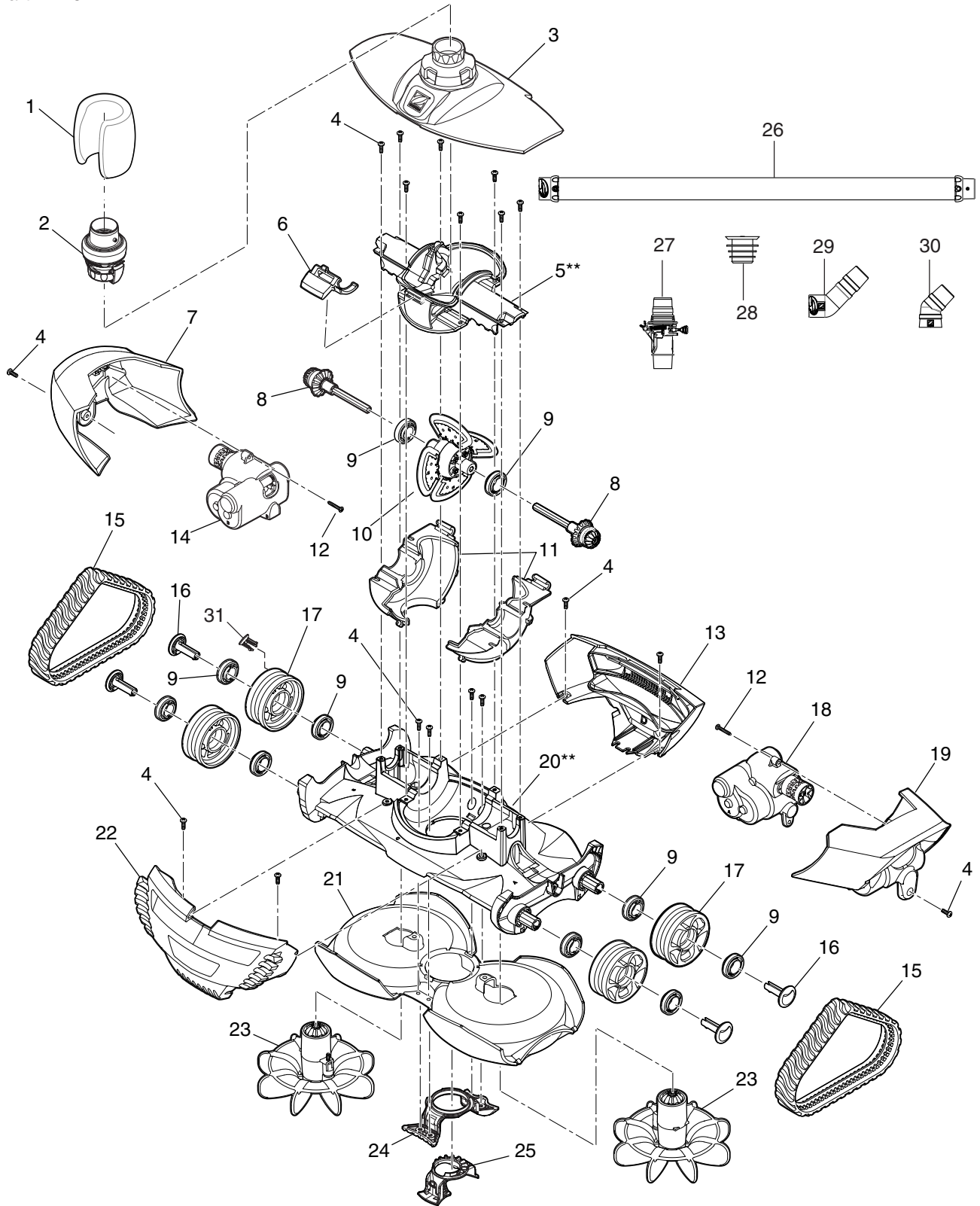
**Replacement of MX8 Chassis Assembly (Part# R0525200) and/or Middle Engine Housing (Part# R0525900) on cleaners serialized with prefix of MX8 require Part# R0545700 and R0545600.



Enroll in our Preferred Professional Provider program and enjoy benefits such as an extended warranty on genuine parts and access to bulk part discounts. Trust in the quality of genuine parts and Zodiac will provide you with the tools to help grow your business.

Contact your local Zodiac representative today for details.

Zodiac MX8™ Part# MX8



Pumps

Filters

Heaters

Heat Pumps

Automation

Water Leveling

Water Sanitizers

Valves

Water Designs

Lighting

Cleaners

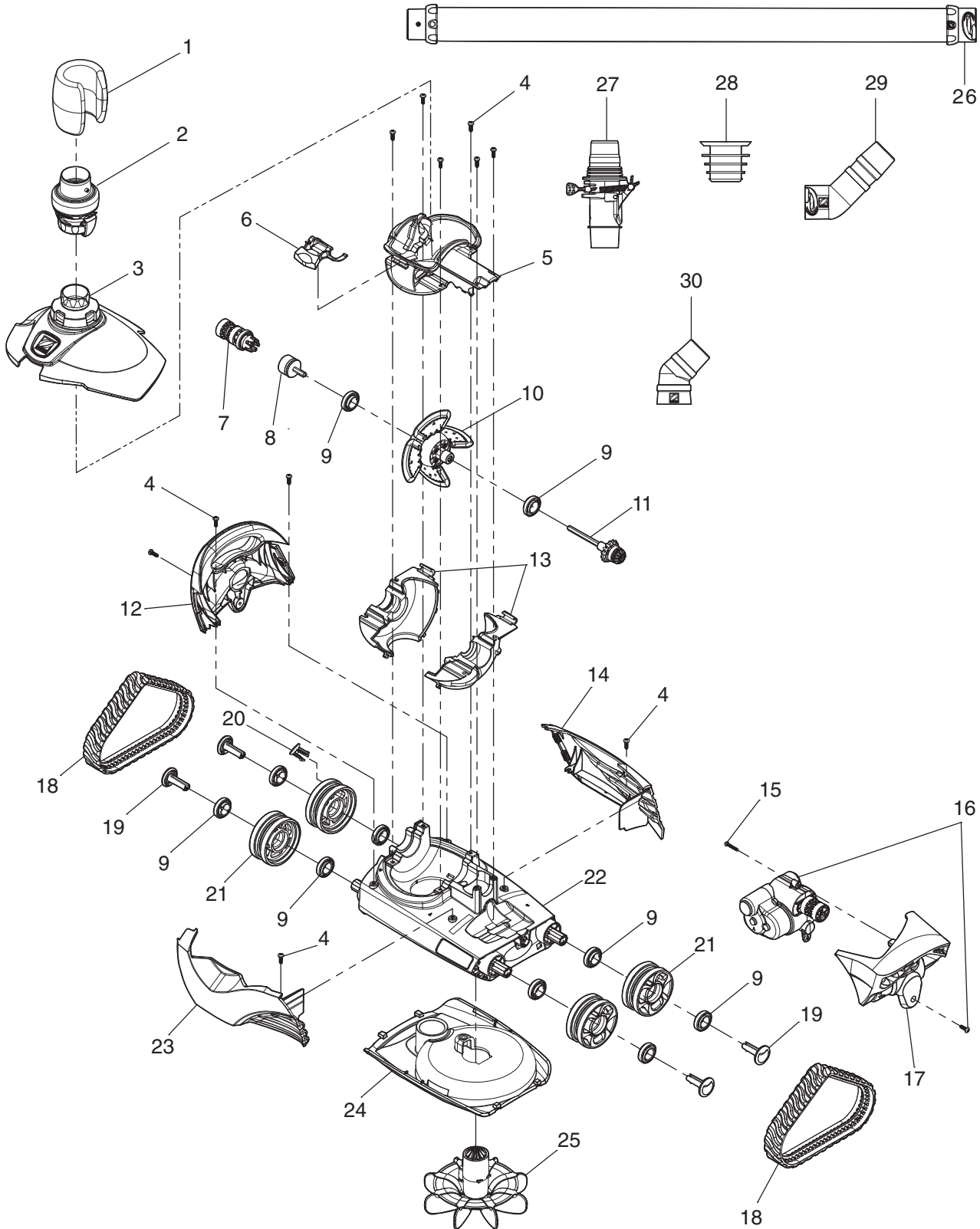
Accessories

Zodiac MX6™

Part# MX6

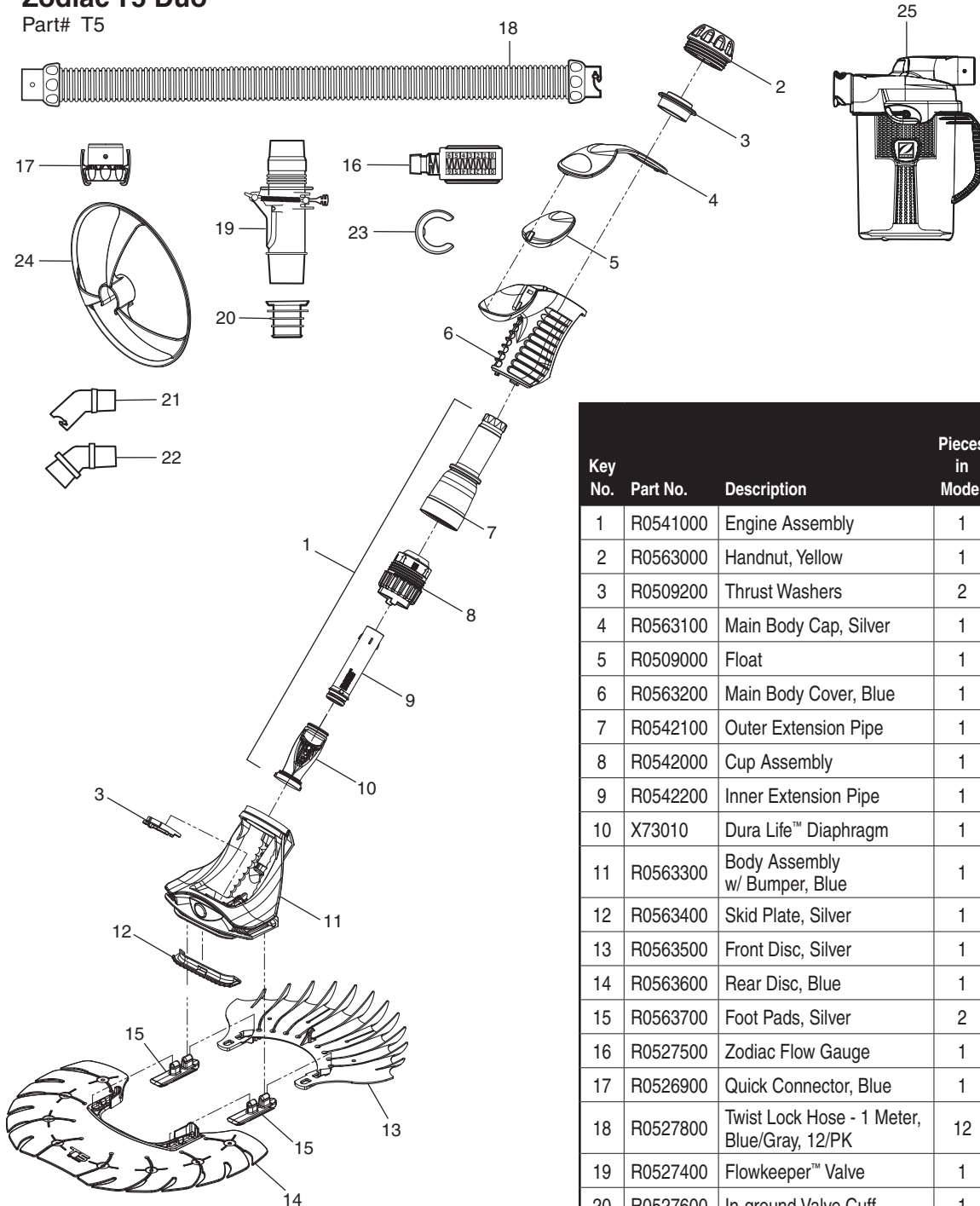
Key No.	Part No.	Description	Pieces in Model	Pieces per Part No.
1	R0526800	Hose Float	1	1
2	FRV100	Flow Regulator Valve	1	1
3	R0566800	Top Cover w/ Swivel Assembly	1	1
4	R0527100	Screw, Phillips #2 Pan Head, 5/PK	10	5
5	R0566900	Middle Engine Housing w/ Ramp and 2 Seals	1	1
6	R0567000	Cover Latch	1	1
7	R0595100	Drive Pulley Coupler	1	1
8	R0567100	Engine Coupler w/ Shaft	1	1
9	R0527000	Bearing (Wheel and Engine)	10	1
10	R0524900	Engine Assembly	1	1
11	R0525100	Drive Shaft Assembly	1	1
12	R0567200	Body Panel, Right (D)	1	1
13	R0525800	Lower Engine Housing	1	KIT
14	R0567300	Body Panel, Rear (B)	1	1
15	R0527200	Screw, Thread Forming, Phillips #2, 5/PK	1	5
16	R0524700	Direction Control Device, Side A	1	KIT
17	R0567400	Body Panel, Left (C)	1	1
18	R0526100	Track	2	1
19	R0545800	Wheel Pin R2	4	1
20	R0596100	Wheel Speed Indicator	1	1
21	R0526000	Wheel	4	1
22	R0567500	Chassis Assembly	1	1
23	R0567600	Body Panel, Front (A)	1	1
24	R0567700	Lower Body Housing	1	1
25	R0525000	Cyclonic Turbine	1	1
26	R0527800	Twist Lock Hose - 1 Meter, Blue/Gray, 12/PK	10	12
27	R0527400	Flowkeeper™ Valve	1	1
28	R0527600	In-Ground Valve Cuff	1	1
29	R0532400	Twist-Lock 45° Elbow, Extended	1	1
30	R0532500	45° Elbow	1	1

Zodiac MX6™ Part# MX6



Zodiac T5 Duo®

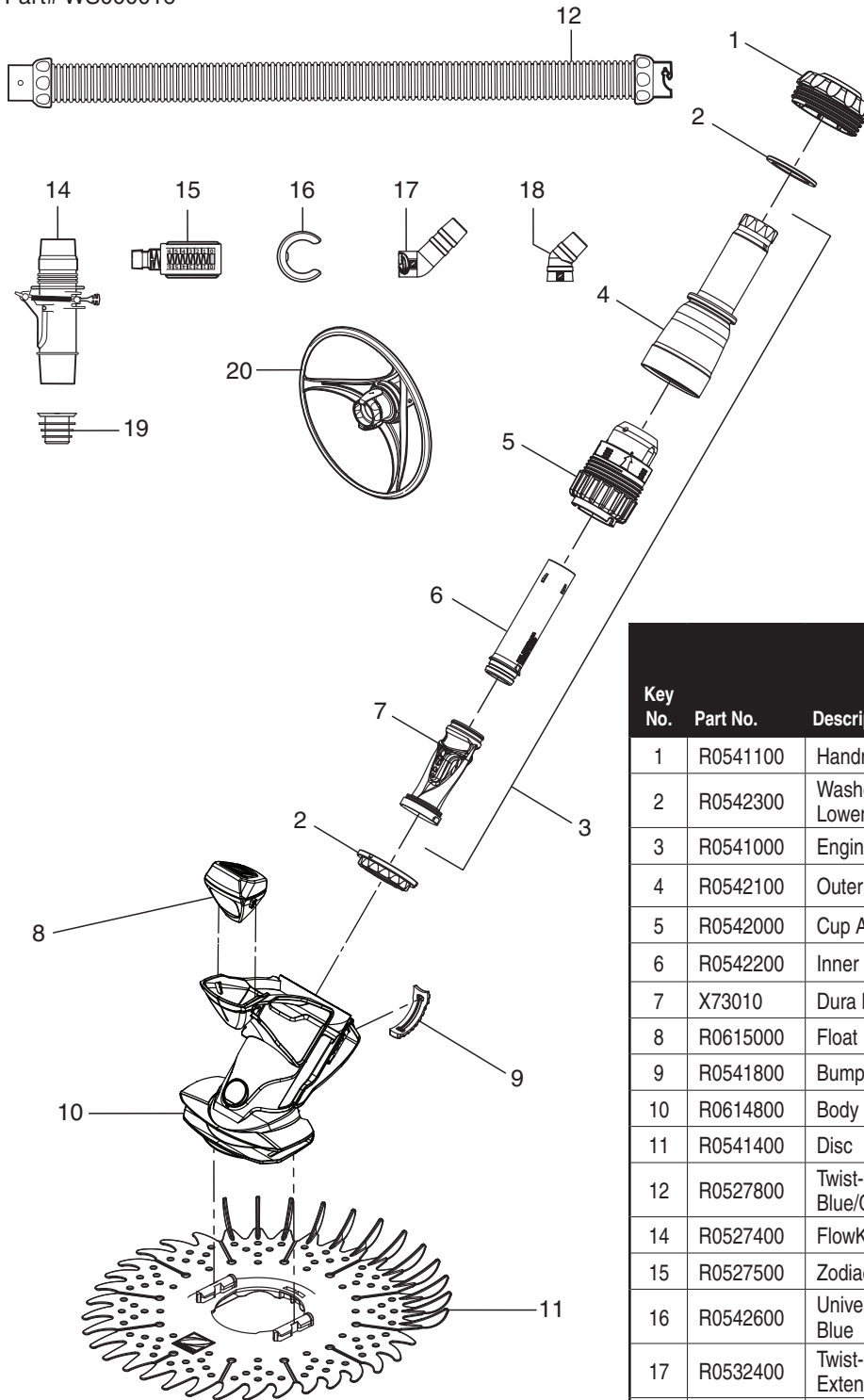
Part# T5



Key No.	Part No.	Description	Pieces in Model	Pieces per Part No.
1	R0541000	Engine Assembly	1	1
2	R0563000	Handnut, Yellow	1	1
3	R0509200	Thrust Washers	2	KIT
4	R0563100	Main Body Cap, Silver	1	1
5	R0509000	Float	1	1
6	R0563200	Main Body Cover, Blue	1	1
7	R0542100	Outer Extension Pipe	1	1
8	R0542000	Cup Assembly	1	1
9	R0542200	Inner Extension Pipe	1	1
10	X73010	Dura Life™ Diaphragm	1	1
11	R0563300	Body Assembly w/ Bumper, Blue	1	1
12	R0563400	Skid Plate, Silver	1	1
13	R0563500	Front Disc, Silver	1	1
14	R0563600	Rear Disc, Blue	1	1
15	R0563700	Foot Pads, Silver	2	2
16	R0527500	Zodiac Flow Gauge	1	1
17	R0526900	Quick Connector, Blue	1	1
18	R0527800	Twist Lock Hose - 1 Meter, Blue/Gray, 12/PK	12	12
19	R0527400	Flowkeeper™ Valve	1	1
20	R0527600	In-ground Valve Cuff	1	1
21	R0532400	Twist-Lock 45° Elbow, Ext.	1	1
22	R0532500	45° Weir Elbow (EVA)	1	1
23	R0542600	Univ. Hose Weight, Blue	1	1
24	R0541900	Wheel Deflector, Hose Mount, Blue	1	KIT
25	CLC500	Cyclonic Leaf Catcher	1	1

Zodiac TR2D

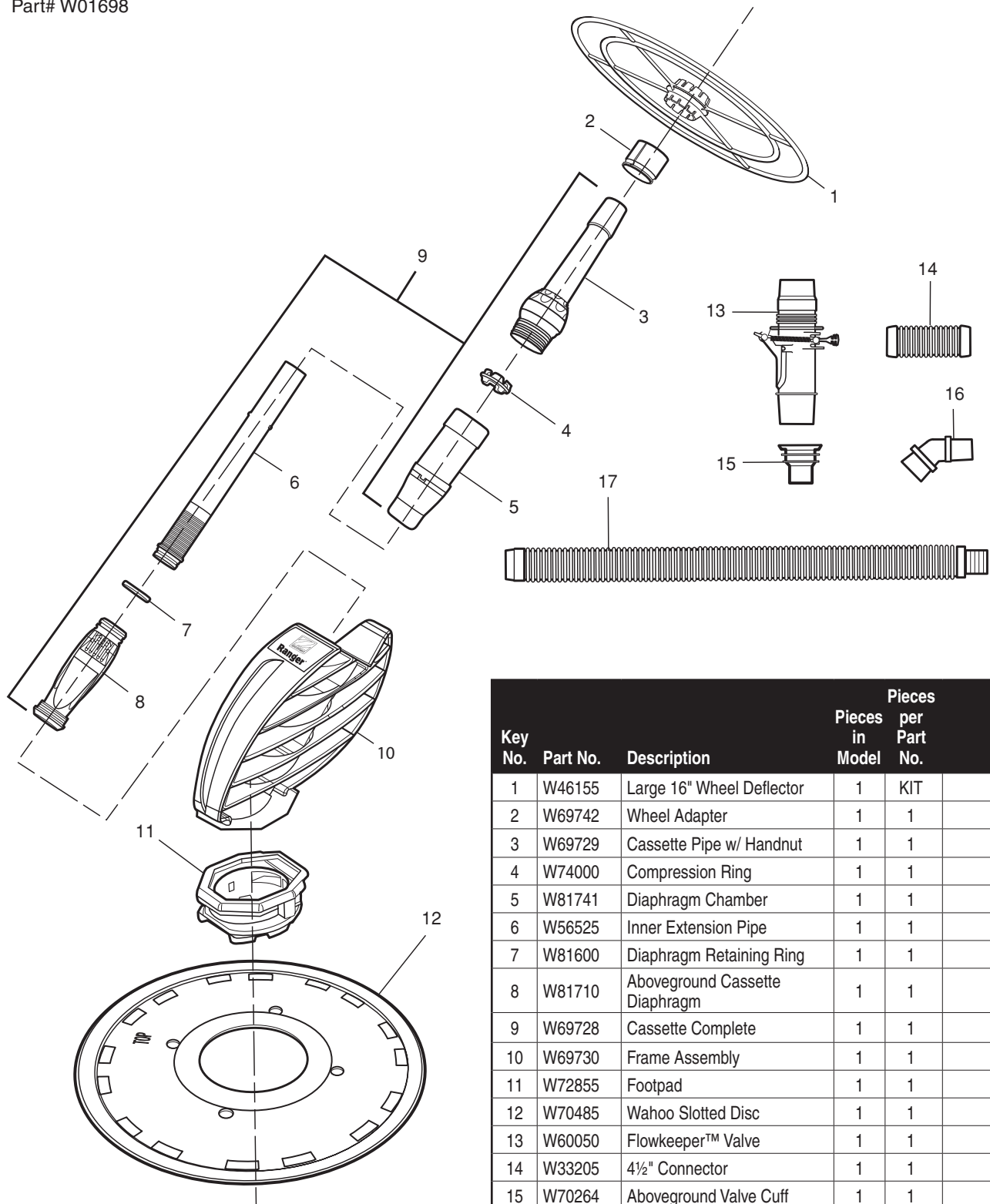
Part# WS000016



Key No.	Part No.	Description	Pieces	
			in Model	per Part No.
1	R0541100	Handnut	1	1
2	R0542300	Washers (Upper and Lower)	2	KIT
3	R0541000	Engine	1	1
4	R0542100	Outer Extension Tube	1	1
5	R0542000	Cup Assembly	1	1
6	R0542200	Inner Extension Tube	1	1
7	X73010	Dura Life™ Diaphragm	1	1
8	R0615000	Float	1	1
9	R0541800	Bumper	1	1
10	R0614800	Body	1	1
11	R0541400	Disc	1	1
12	R0527800	Twist-Lock Hose-1 Meter Blue/Gray, 12/PK	10	12
14	R0527400	FlowKeeper™ Valve	1	1
15	R0527500	Zodiac Flow Gauge	1	1
16	R0542600	Universal Hose Weight, Blue	1	1
17	R0532400	Twist-Lock 45° Elbow, Extended	1	1
18	R0532500	45° Weir Elbow (EVA)	1	1
19	R0527600	In-ground Valve Cuff	1	1
20	R0538800	Quick Release Wheel Deflector	1	KIT

Zodiac Ranger®

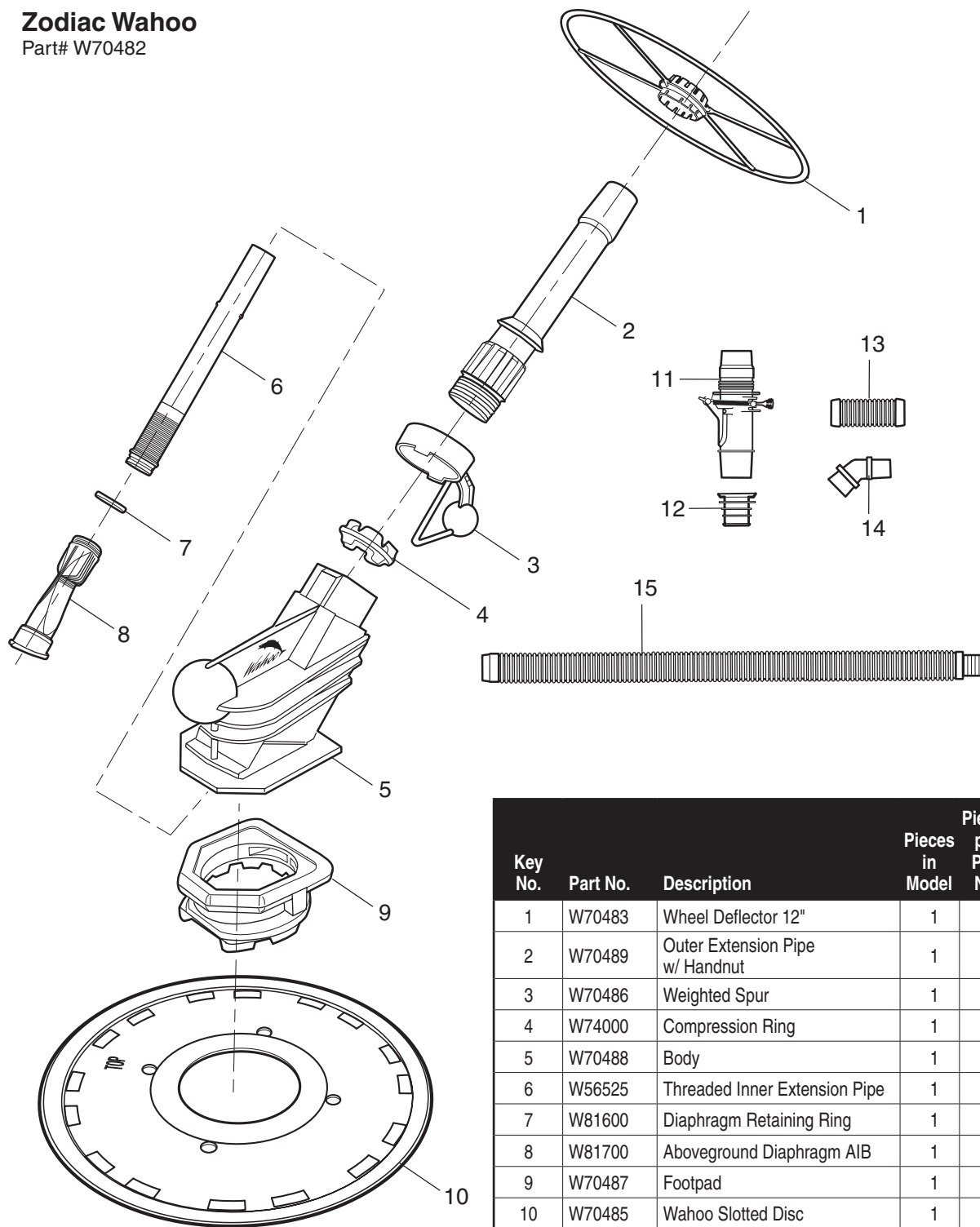
Part# W01698



Key No.	Part No.	Description	Pieces in Model	Pieces per Part No.
1	W46155	Large 16" Wheel Deflector	1	KIT
2	W69742	Wheel Adapter	1	1
3	W69729	Cassette Pipe w/ Handnut	1	1
4	W74000	Compression Ring	1	1
5	W81741	Diaphragm Chamber	1	1
6	W56525	Inner Extension Pipe	1	1
7	W81600	Diaphragm Retaining Ring	1	1
8	W81710	Aboveground Cassette Diaphragm	1	1
9	W69728	Cassette Complete	1	1
10	W69730	Frame Assembly	1	1
11	W72855	Footpad	1	1
12	W70485	Wahoo Slotted Disc	1	1
13	W60050	Flowkeeper™ Valve	1	1
14	W33205	4½" Connector	1	1
15	W70264	Aboveground Valve Cuff	1	1
16	W70244	45-Degree Elbow	1	1
17	W38205	Hose, 1 Meter, White	10	1

Zodiac Wahoo

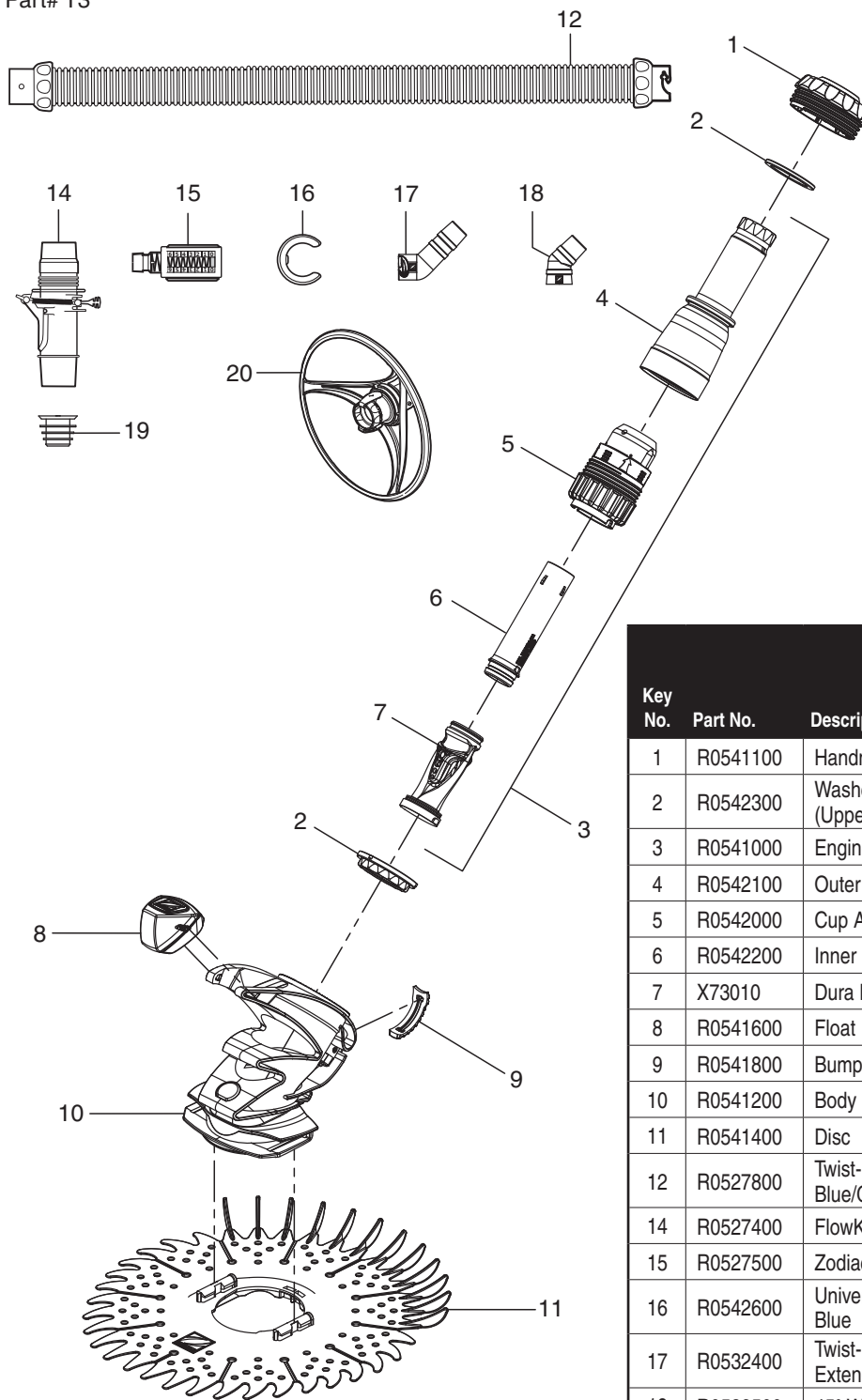
Part# W70482



Key No.	Part No.	Description	Pieces in Model	Pieces per Part No.
1	W70483	Wheel Deflector 12"	1	1
2	W70489	Outer Extension Pipe w/ Handnut	1	1
3	W70486	Weighted Spur	1	1
4	W74000	Compression Ring	1	1
5	W70488	Body	1	1
6	W56525	Threaded Inner Extension Pipe	1	1
7	W81600	Diaphragm Retaining Ring	1	1
8	W81700	Aboveground Diaphragm AIB	1	1
9	W70487	Footpad	1	1
10	W70485	Wahoo Slotted Disc	1	1
11	W60050	Flowkeeper™ Valve	1	1
12	W70264	Valve Cuff	1	1
13	W33205	4½" Connector	1	1
14	W70244	45° Elbow	1	1
15	W38205	Hose, 1 Meter, White	10	1

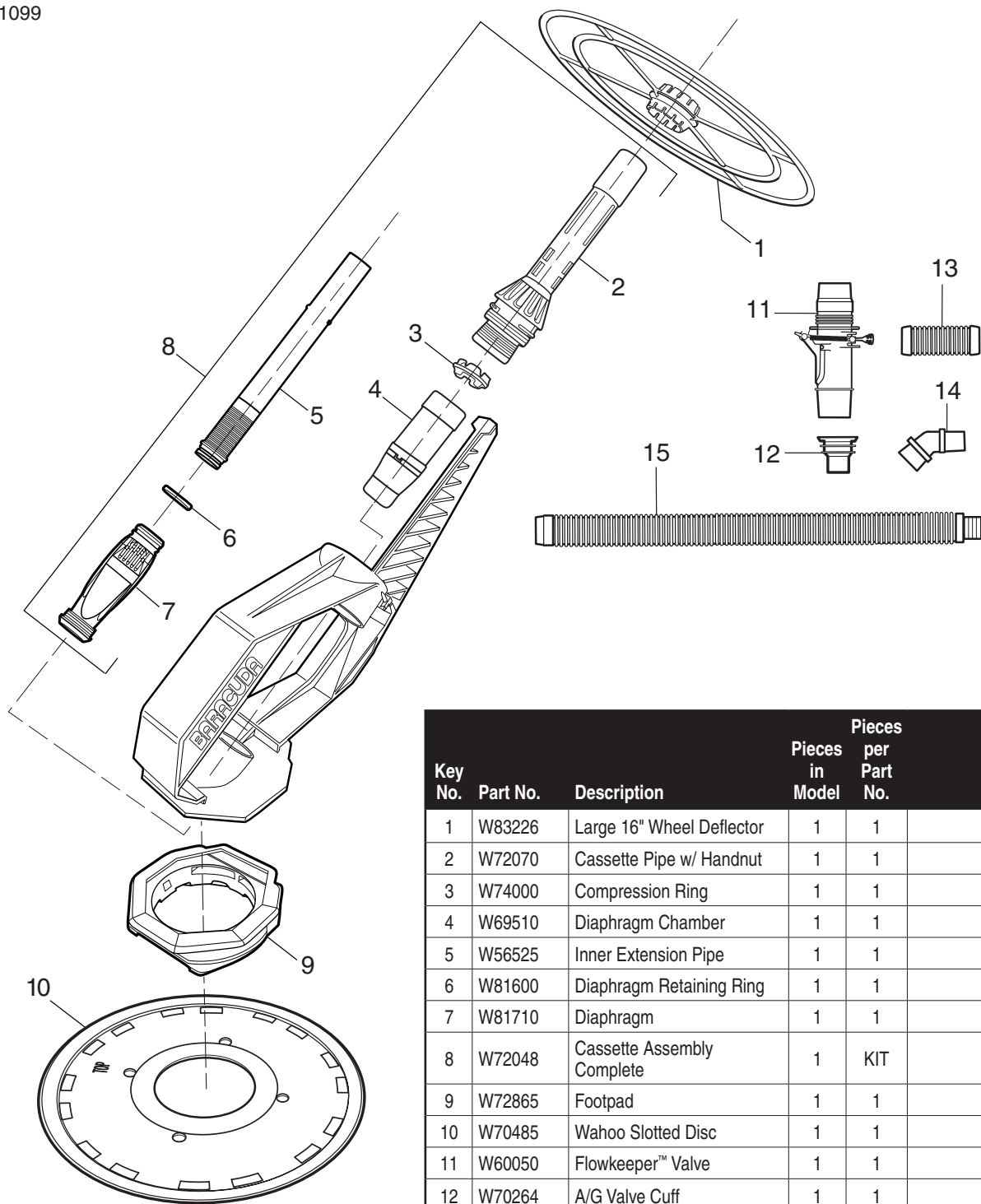
Zodiac T3®

Part# T3



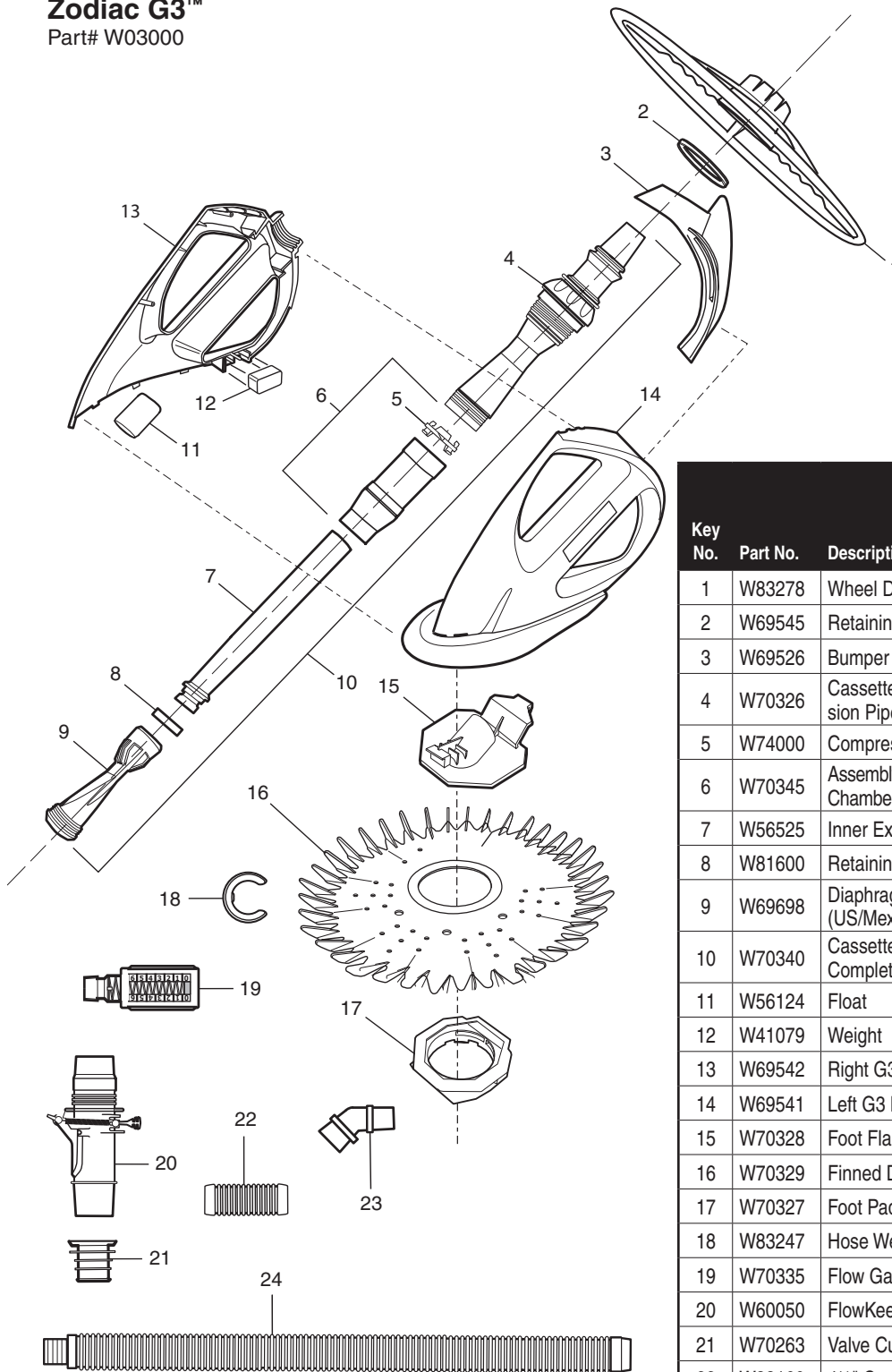
Key No.	Part No.	Description	Pieces	
			in Model	per Part No.
1	R0541100	Handnut	1	1
2	R0542300	Washers (Upper and Lower)	2	KIT
3	R0541000	Engine	1	1
4	R0542100	Outer Extension Tube	1	1
5	R0542000	Cup Assembly	1	1
6	R0542200	Inner Extension Tube	1	1
7	X73010	Dura Life™ Diaphragm	1	1
8	R0541600	Float	1	1
9	R0541800	Bumper	1	1
10	R0541200	Body	1	1
11	R0541400	Disc	1	1
12	R0527800	Twist-Lock Hose-1 Meter Blue/Gray, 12/PK	10	12
14	R0527400	FlowKeeper™ Valve	1	1
15	R0527500	Zodiac Flow Gauge	1	1
16	R0542600	Universal Hose Weight, Blue	1	1
17	R0532400	Twist-Lock 45° Elbow, Extended	1	1
18	R0532500	45° Weir Elbow (EVA)	1	1
19	R0527600	In-ground Valve Cuff	1	1
20	R0538800	Quick Release Wheel Deflector	1	KIT

Baracuda® 1500 Part# W01099



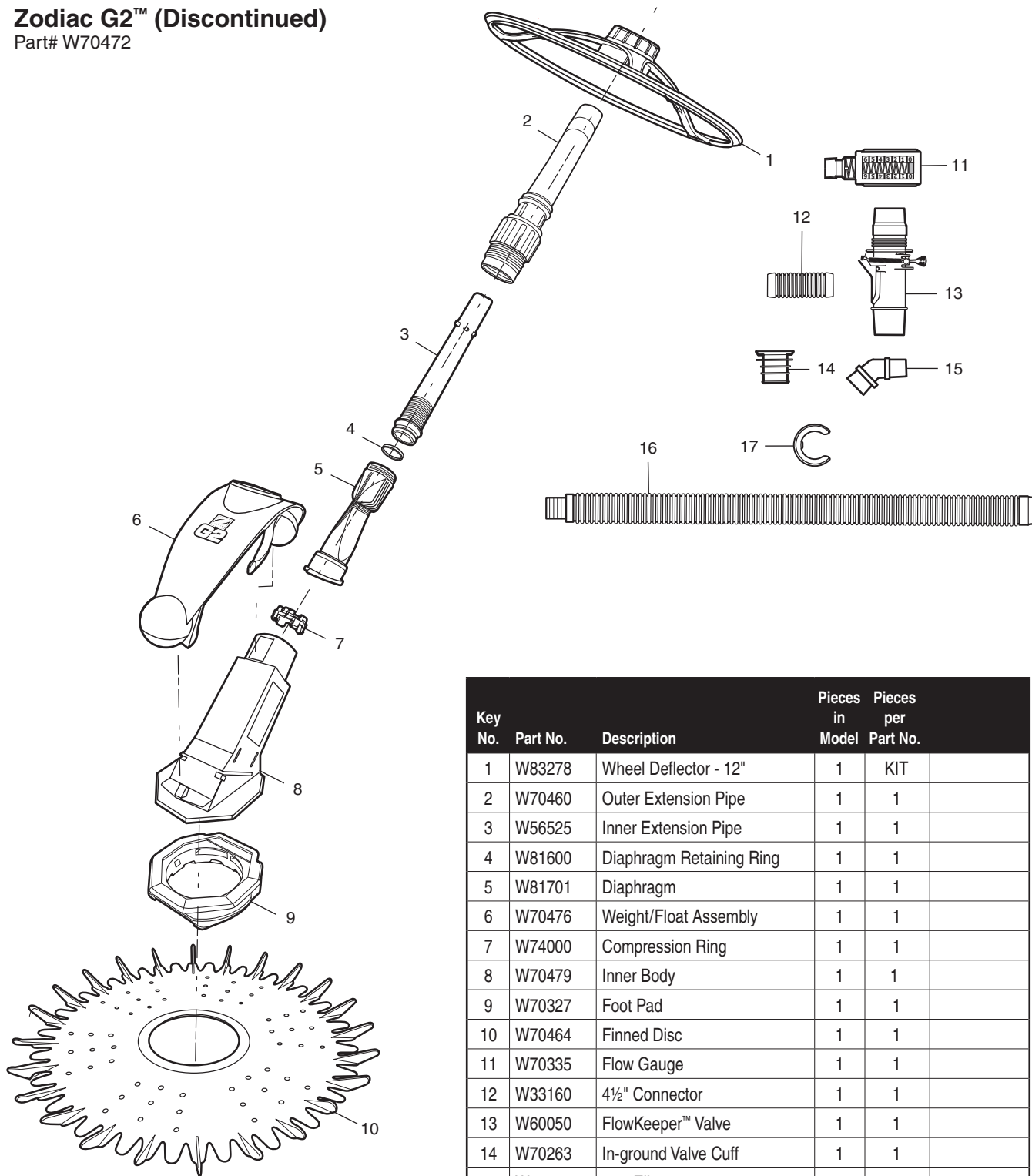
Key No.	Part No.	Description	Pieces	
			in Model	per Part No.
1	W83226	Large 16" Wheel Deflector	1	1
2	W72070	Cassette Pipe w/ Handnut	1	1
3	W74000	Compression Ring	1	1
4	W69510	Diaphragm Chamber	1	1
5	W56525	Inner Extension Pipe	1	1
6	W81600	Diaphragm Retaining Ring	1	1
7	W81710	Diaphragm	1	1
8	W72048	Cassette Assembly Complete	1	KIT
9	W72865	Footpad	1	1
10	W70485	Wahoo Slotted Disc	1	1
11	W60050	Flowkeeper™ Valve	1	1
12	W70264	A/G Valve Cuff	1	1
13	W33205	4½" Connector	1	1
14	W70244	45° Elbow (US/Mexico)	1	1
	W70244	45° Elbow (Canada)	2	1
15	W38205	Hose, 1 Meter, White	10	1

Zodiac G3™ Part# W03000



Key No.	Part No.	Description	Pieces	
			in Model	per Part No.
1	W83278	Wheel Deflector	1	KIT
2	W69545	Retaining Collar	1	1
3	W69526	Bumper Fin, G3	1	1
4	W70326	Cassette Outer Extension Pipe w/ Handnut	1	1
5	W74000	Compression Ring	1	1
6	W70345	Assembly, G3 Cass. Chamber w/ Comp Ring	1	KIT
7	W56525	Inner Extension Pipe	1	1
8	W81600	Retaining Ring	1	1
9	W69698	Diaphragm (US/Mexico)	1	1
10	W70340	Cassette Assembly Complete (US/Mex)	1	1
11	W56124	Float	1	1
12	W41079	Weight	1	1
13	W69542	Right G3 Main Body	1	1
14	W69541	Left G3 Main Body	1	1
15	W70328	Foot Flange	1	1
16	W70329	Finned Disc, G3	1	1
17	W70327	Foot Pad	1	1
18	W83247	Hose Weight	1	1
19	W70335	Flow Gauge	1	1
20	W60050	FlowKeeper™ Valve	1	1
21	W70263	Valve Cuff	1	1
22	W33160	4½" Connector	1	1
23	W70244	45-Degree Elbow	2	1
24	W83140	Long-Life Hose Kit, 12 x 1 Meter	12	1

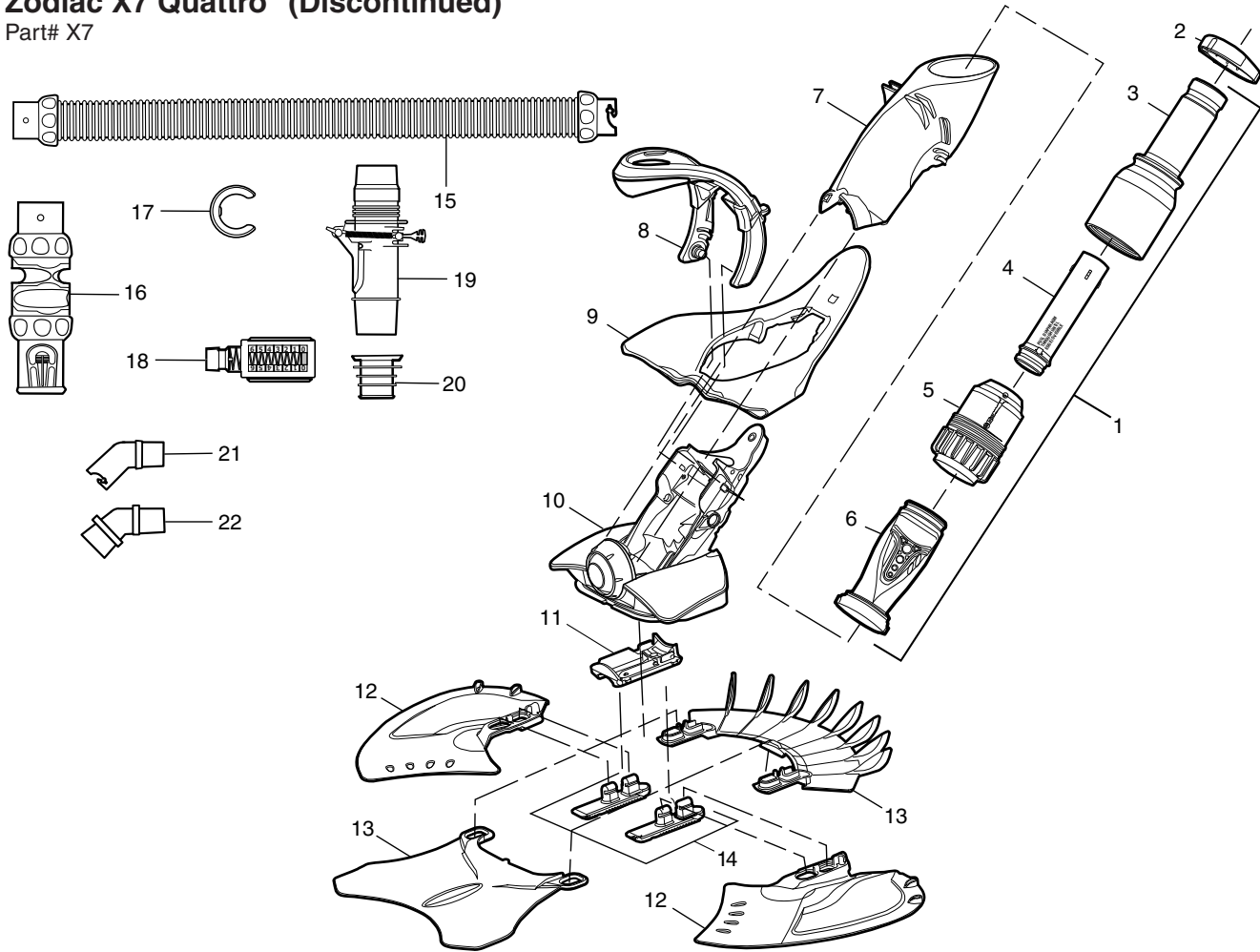
Zodiac G2™ (Discontinued) Part# W70472



Key No.	Part No.	Description	Pieces in Model	Pieces per Part No.
1	W83278	Wheel Deflector - 12"	1	KIT
2	W70460	Outer Extension Pipe	1	1
3	W56525	Inner Extension Pipe	1	1
4	W81600	Diaphragm Retaining Ring	1	1
5	W81701	Diaphragm	1	1
6	W70476	Weight/Float Assembly	1	1
7	W74000	Compression Ring	1	1
8	W70479	Inner Body	1	1
9	W70327	Foot Pad	1	1
10	W70464	Finned Disc	1	1
11	W70335	Flow Gauge	1	1
12	W33160	4½" Connector	1	1
13	W60050	FlowKeeper™ Valve	1	1
14	W70263	In-ground Valve Cuff	1	1
15	W70244	45° Elbow	2	1
16	W20460	Hose, 1 Meter	12	12
17	W83247	Hose Weight (US/Mexico)	2	1
17	W83247	Hose Weight (Canada)	1	1

Zodiac X7 Quattro™ (Discontinued)

Part# X7



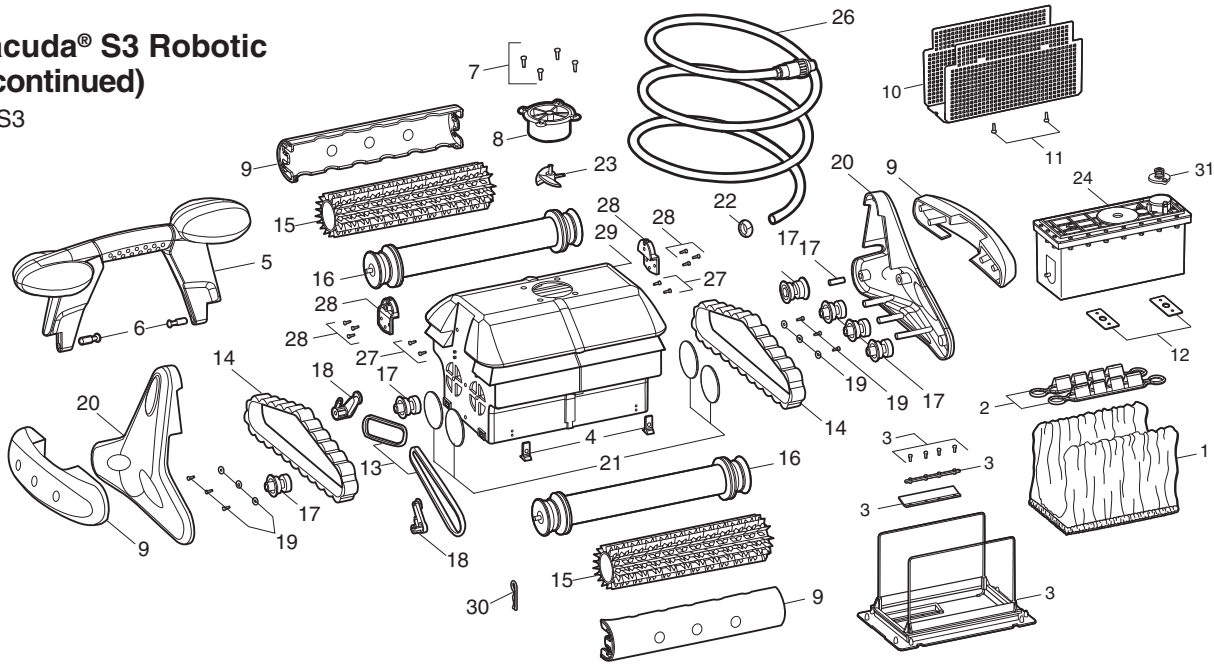
Key No.	Part No.	Description	Pieces	
			in Model	per Part No.
1	X77000	Engine Assembly Complete	1	KIT
2	X77044	Thrust Washer	1	1
3	X77027	Outer Extension Pipe	1	1
4	X77028	Inner Extension Pipe	1	1
5	X77054	Cup Assembly	1	1
6	X73010	Dura Life™ Diaphragm (US/Mex)	1	1
7	X77010	Main Body Cover	1	1
8	X77011	Float Arm/Handle w/ Locks	1	KIT
9	X77014	X7 Wing	1	1
10	X77053	Lower Body Assembly	1	1
11	X77042	Flow Separator	1	1
12	X77022	Disc Assembly Lt/Rt	1	KIT
13	X77024	Disc Assembly Ft/Rr	1	1

Key No.	Part No.	Description	Pieces	
			in Model	per Part No.
14	X77021	Foot Pad	2	1
15	X38210	Twist-Lock Hose - 12 x 1 Meter, Superseded by R0527800	12	1
16	X77039	Flex-Connector	1	1
17	R0542600	Hose Float	1	1
18	W70335	Flow Gauge	1	1
19	W60050	Flowkeeper™ Valve	1	1
20	W70263	In-ground Valve Cuff	1	1
21	R0532400	Twist-Lock Elbow	1	1
22	W70244	45° Elbow	1	1
ACCESSORIES				
N/S	8-6051	Deflector Ring 12"	1	1
N/S	R0533300	Leaf Catcher Hose Adapter	1	1

N/S-Not Shown

Baracuda® S3 Robotic (Discontinued)

Part# S3



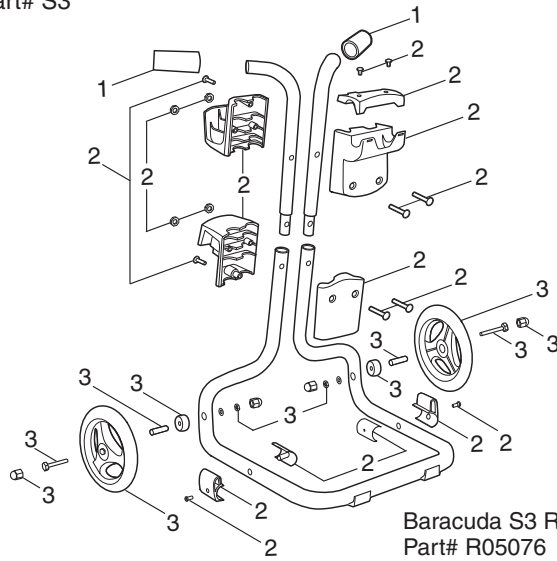
Key No.	Part No.	Description	Pieces in Model	Pieces per Part No.
S3 ROBOTIC CLEANER				
1	R05035	Filter Bag	1	1
2	R05036	Clip, Filter Retainer	2	1
3	R05037	Filter Support	1	1
4	R05038	Filter Bag Latch Kit Filter Plate Hook Screw, Vt Tfc Pozi 2.9mm x 9.5mm A2	4 4	1
5	R05039	Handle	1	1
6	R05041	Handle Screws Kit Screw, Vm Tcl Pozi 5mm x 30mm A4 Washer, M5 A2 Spacer, Handle	2 2 2	1
7	R05042	Flow Outlet Screw Kit Screw, Vt Tfc Pozi 2.9mm x 9.5mm A2	4	1
8	R05043	Flow Outlet	1	1
9	R05044	Bumper Set Kit Bumper, Front Bumper, Side	2 2	1
10	R05045	Grill, Motor Protection	1	1
11	R05046	Motor Screen Screw Kit Screw, Vt Tcl Pozi 3.5mm x 13mm A2	2	1
12	R05047	Weight, Stainless	1	1
13	R05048	Belt, Transmission	2	1
14	R05049	Track, Blue	2	2
15	R05050	Brush, PVC	2	1

Key No.	Part No.	Description	Pieces in Model	Pieces per Part No.
16	R05051	Roller, Brush, Grey	2	1
17	R05052	Pulley Kit Pulley, Track Guide, Long Pulley, Track Guide, Short Pulley, Motor Shaft Track Tensioner Axle (brass)	3 2 1 1	1
18	R05053	Belt Tensioner Kit Belt Tensioner Form C Belt Tensioner Form S	1 1	1
19	R05054	Flange Housing Screws Kit Screw, Vt Tcl Pozi 3.9mm x 25mm A2 Washer, M4 A2 Screw, Vt Tcl Pozi 3.5mm x 19mm A2	6 6 2	1
20	R05055	Flange, Track	2	1
21	R05056	Shell Valve, Round	4	4
22	R05057	Clip, Cable Strain Relief	1	1
23	R05058	Propeller, White 64mm	1	1
24	R05059	Motor Block	1	1
26	R05061	Cable (60 ft.) w/ Connector	1	1
27	R05062	Motor Block Screw Kit Screw, Vp 50mm x 12mm	4	4
28	R05063	Handle Bracket Kit Plate, Handle Fastening Screw, Vt Tcl Pozi 2.9mm x 16mm	2 6	2

Continued on next page.

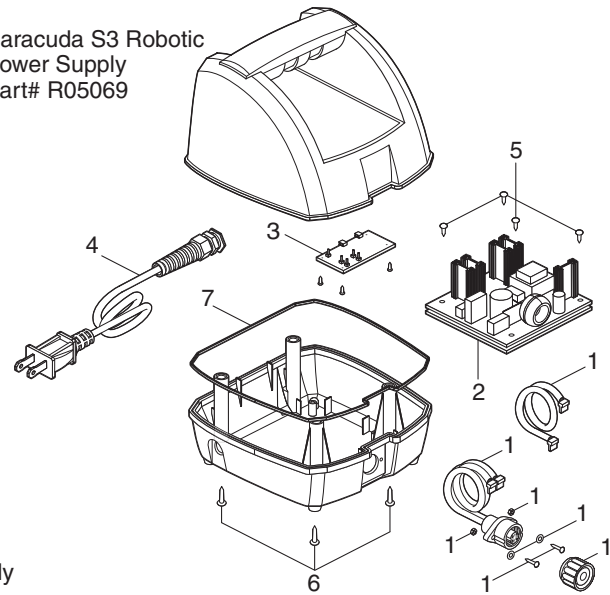
Baracuda® S3 Robotic (Discontinued)

Part# S3



Baracuda S3 Robotic Caddy
Part# R05076

Baracuda S3 Robotic
Power Supply
Part# R05069



Key No.	Part No.	Description	Pieces in Model	Pieces per Part No.
S3 ROBOTIC CLEANER				
29	R05064	Main Housing	1	1
30	R05130	Motor Shaft Pin	1	1
31	R0519300	Cable Connector Assembly	1	1
S3 ROBOTIC POWER SUPPLY				
-	R05069	S3 Power Supply Complete	1	1
1	R05065	Power Flex Kit Wire Set Keyb/Power Wire Set Keyb/Socket	1	1
2	R05066	Power Supply Card Superseded by R0506600	1	1
3	R05067	Keyboard Card 2m	1	1
4	R05068	Power Cord Assembly Polarized Superseded by R0506800	1	1
5	R0507000	PCB Screw Set Screw, Vt Tcl Pozi 3.5mm x 9.5mm A2 Superseded by R0507000	4	1
6	R0507100	Power Supply Housing Screws Screw, Vp Tcl Pozi 4mm x 16mm A2	4	1
7	R05072	Power Supply Gasket Superseded by R0507200	1	1
S3 ROBOTIC CADDY				
-	R05076	S3 Caddy Complete Superseded by R0516200	1	1

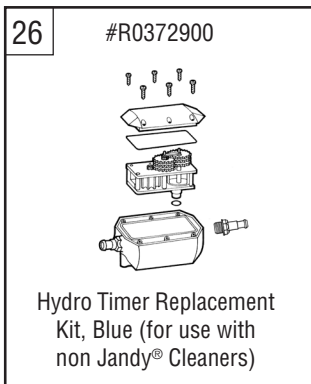
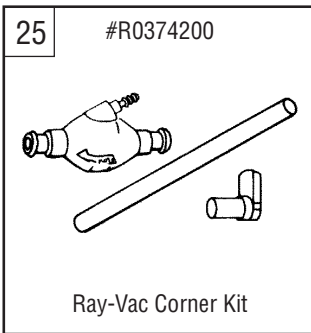
Key No.	Part No.	Description	Pieces in Model	Pieces per Part No.
1	R0507300	Trolley Handle Tip Grips	1	2
2	R05074	Power Supply Mount Bracket Control Box Support Green Control Unit Bolt Screw, Vm Tfc Pozi 5mm x 10mm A2 Support Green Cable Screw, Torx 6.0mm x 25.0mm A2 Screw, Torx 6.0mm x 45.0mm A2 Nut, Locking, M6 A2 Support Side Flange Guide, Caddy, Wedge Screw, Vp Tcl Pozi 5mm x 16mm A2 Superseded by R0518900	1	KIT
3	R05075	Caddy Wheel Kit Cap, Nut Screw, Vm Thpf Din 931 M8 x 90mm Wheel For Trolley Washer, Wheel, S3 Caddy Spacer, Wheel, S3 Caddy Washer Nut, Locking Superseded by R0507500	4	KIT
S3 ROBOTIC ACCESSORIES				
*	R05131	Foam Brush Kit R-Kit, Foam Brushes w/ 14 Clips, S3 For Tile Pools	2	1
*	R05132	Fine Filter Bag	1	1
*	R05060	Grease, Water Tight Cable to Motor Block	1	1

①-Limited Quantity. Available While Supplies Last. DISC-Discontinued

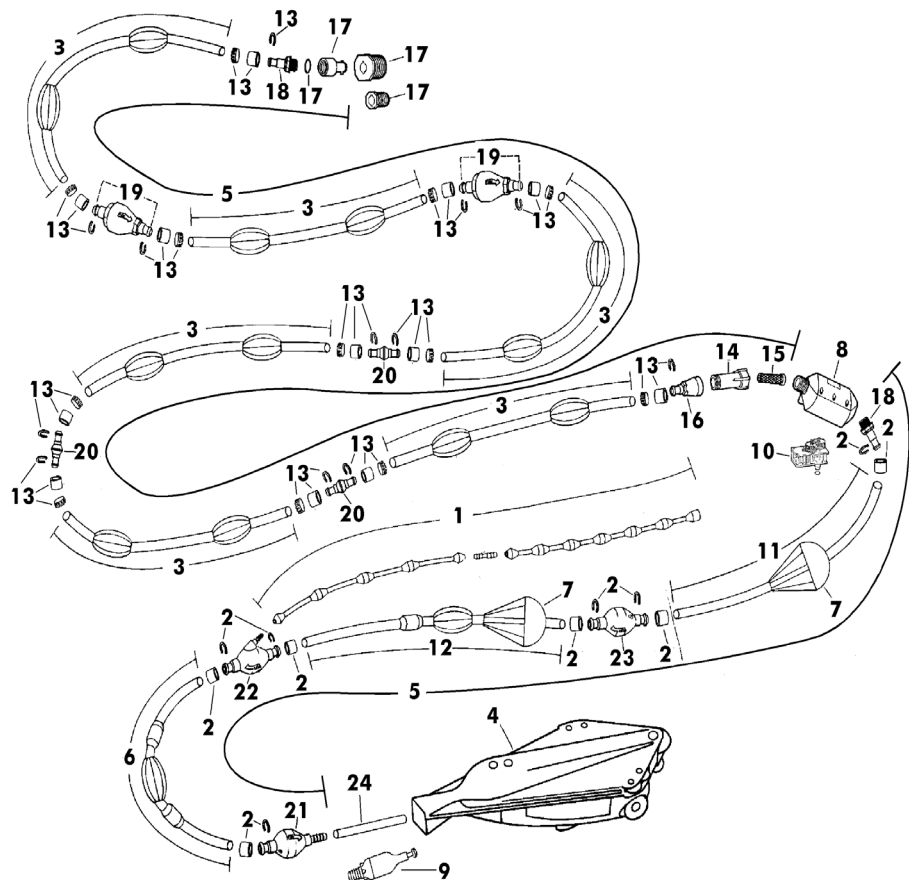
Ray-Vac and Ray-Vac Desert Model Hose Parts List (Discontinued)

Key No.	Part No.	Description	Pieces per Part No.
1	R0373400	Whip Kit	KIT
2	R0374100	Mender Sleeve ½" Kit	KIT
3	R0374300	Hose Kit ⅝" Vinyl w/ Floats	KIT
4	R0374900	Head Replacement, White	KIT
4	R0375000	Head Replacement, Black	1
4	R0376800	Head Replacement, Desert Model	KIT
4	R0376000	Head Replacement, Vinyl	1
5	R0375400	Hose Replacement Kit	1
6	R0375700	Hose ½" Silicone w/ Wear Sleeve and Floats	KIT
7	R0376400	Sea Anchor Kit	KIT
8	R0376500	Hydro Timer Replacement Kit	KIT
9	R0376900	Transporter Jet Kit	KIT
10	R0377000	Hydro Timer Gear Assembly Kit	KIT
11	R0377100	Hose ½" Vinyl w/ Sea Anchor	1

Key No.	Part No.	Description	Pieces per Part No.
13	R0377300	Mender Sleeve ⅝" Kit	KIT
14	R0377400	Filter Screen Case	KIT
15	R0377500	Filter Screen	KIT
16	R0377600	Filter Screen Fitting	KIT
17	R0378000	Quick Disconnect Replacement Kit	KIT
18	R0378100	Swivel Ball Bearing	KIT
19	R0378300	Hose Line Swivel Kit	KIT
20	R0378400	Hose Coupler Kit	KIT
21	R0378500	Hose Pusher Jet Kit	KIT
22	R0378600	Hose Line Whip "Y" Jet Kit	KIT
23	R0378700	Hose Line Jet Kit	KIT
24	R0380200	Pusher Hose	KIT
25	R0374200	Corner Kit	1
26	R0372900	Hydro-Timer Replacement Kit (for use w/ non-Jandy® cleaners)	KIT



Ray-Vac and Ray-Vac Desert Model Hose Diagram

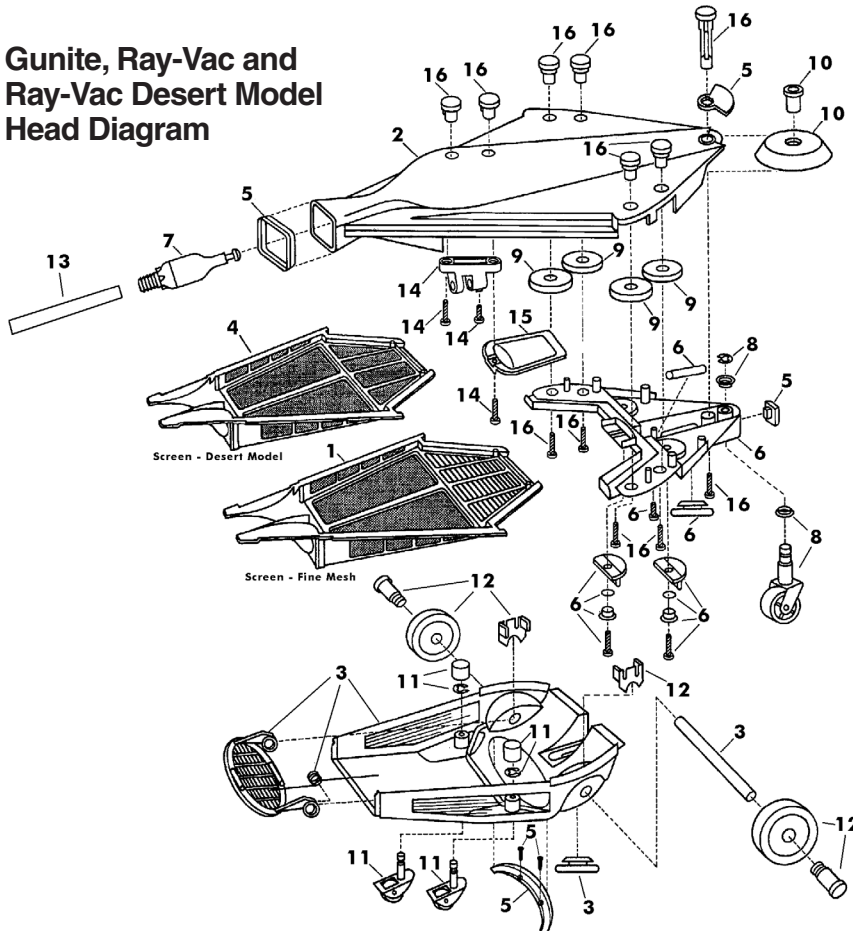


Gunite, Ray-Vac and Ray-Vac Desert Model Head Parts List (Discontinued)

Key No.	Part No.	Description	Pieces per Part No.
1	R0374700	Screen, Fine Mesh, White	KIT
1	R0375300	Screen, Fine Mesh, Black	KIT
2	R0374900	Head Replacement Complete, White	KIT
2	R0375000	Head Replacement Complete, Black	1
3	R0375100	Bottom Complete, White	1
4	R0376600	Bottom Complete, Clear	KIT
4	R0375200	Screen, Desert Model	KIT
5	R0375500	Bumper Flatmouth Kit, White	KIT
5	R0375600	Bumper Flatmouth Kit, Black	1
6	R0375800	Nose Plate Kit, Gunite, White	KIT
6	R0376700	Nose Plate Kit, Gunite, Black	1
7	R0376900	Transporter Jet Kit	KIT
8	R0378800	Castor Wheel Kit, Gunite, White	KIT
8	R0379700	Castor Wheel Kit, Gunite, Black	1

Key No.	Part No.	Description	Pieces per Part No.
9	R0378900	Side Wheel Kit, White	KIT
9	R0379800	Side Wheel Kit, Black	KIT
10	R0379000	Nose Wheel Kit, Gunite, White	KIT
10	R0379900	Nose Wheel Kit, Gunite, Black	KIT
11	R0379100	Swivel Wheel Kit, Gunite, White	KIT
11	R0380000	Swivel Wheel Kit, Gunite, Black	1
12	R0379200	Drive Wheel Kit, Gunite, White	KIT
12	R0380100	Drive Wheel Kit, Gunite, Black	KIT
13	R0380200	Pusher Hose Kit	KIT
14	R0380300	Transporter Jet Sleeve Kit	1
15	R0380400	Head Float	KIT
16	R0380500	Wear Button Kit	KIT
17	R0377900	Skimmer Guard Kit, Standard	1
17	R0377800	Skimmer Guard Kit, Tall	1
18	R0380600	E-Ring Kit, 2/PK	1

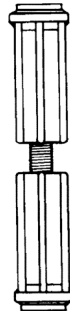
Gunite, Ray-Vac and Ray-Vac Desert Model Head Diagram



17

#R0377900
Skimmer Guard Kit, Standard
(5" min - 7 3/4" max)

#R0377800
Skimmer Guard Kit, Tall
(7 3/4" min - 10" max)



18

#R0380600



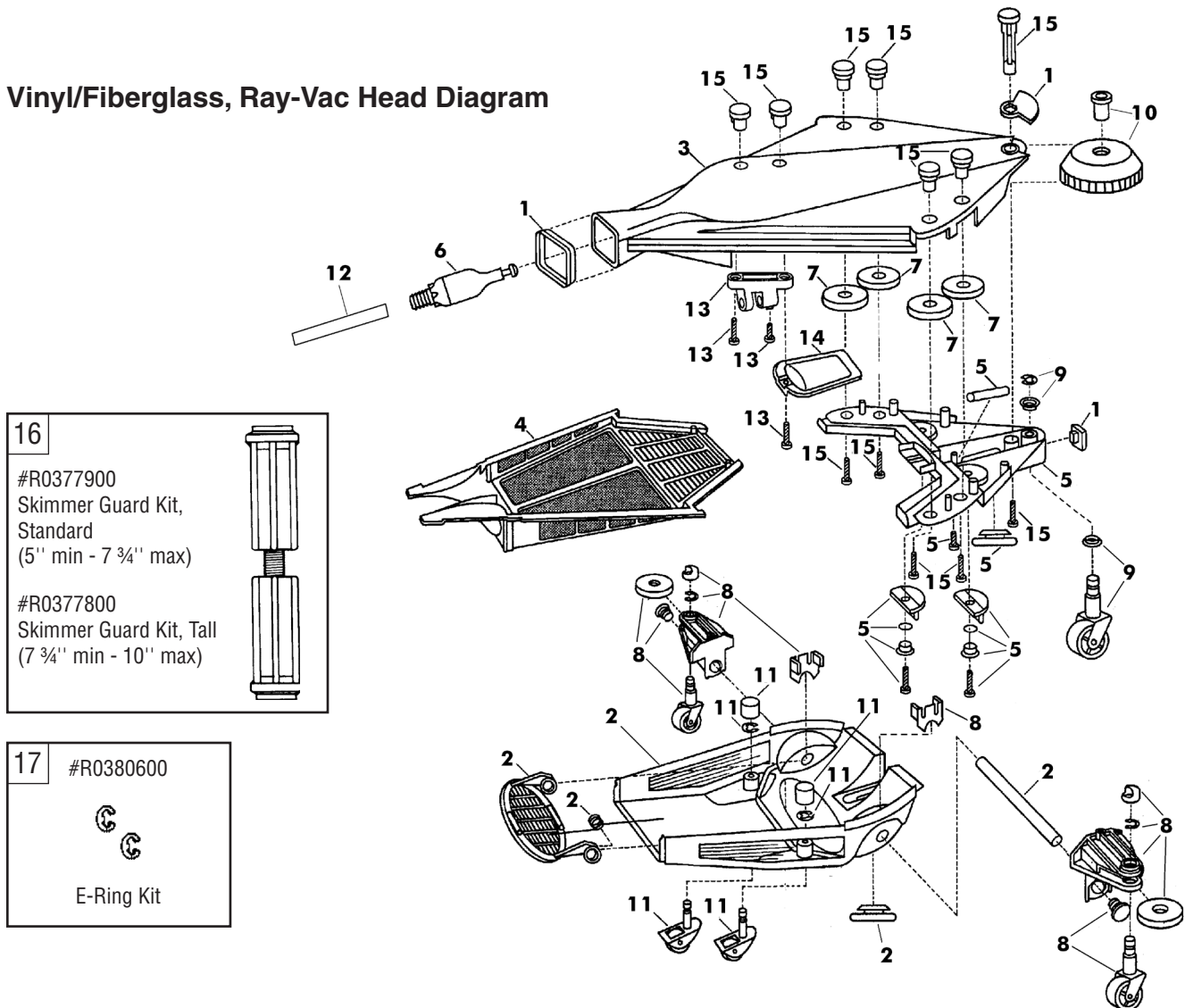
E-Ring Kit

Vinyl/Fiberglass, Ray-Vac Head Parts List (Discontinued)

Key No.	Part No.	Description	Pieces per Part No.
1	R0375500	Bumper Flatmouth Kit, White	KIT
2	R0375900	Bottom, Vinyl/Fiberglass	1
3	R0376000	Head Replacement Complete, Vinyl/Fiberglass	1
4	R0376100	Screen Coarse, White	KIT
5	R0376200	Nose Plate Kit, Vinyl/Fiberglass	1
6	R0376900	Transporter Jet Kit	KIT
7	R0378900	Side Wheel Kit, White	KIT
8	R0379300	Drive Wheel Kit, Vinyl/Fiberglass	1
9	R0379400	Castor Wheel Kit, Vinyl/Fiberglass	1

Key No.	Part No.	Description	Pieces per Part No.
10	R0379500	Nose Wheel Kit, Vinyl/Fiberglass	KIT
11	R0379600	Swivel Wheel Kit, Vinyl/Fiberglass	1
12	R0380200	Pusher Hose Kit	KIT
13	R0380300	Transporter Jet Sleeve Kit	1
14	R0380400	Head Float	KIT
15	R0380500	Wear Button Kit	KIT
16	R0377900	Skimmer Guard Kit, Standard	1
16	R0377800	Skimmer Guard Kit, Tall	1
17	R0380600	E-Ring Kit, 2/PK	1

Vinyl/Fiberglass, Ray-Vac Head Diagram



Pumps

Filters

Heaters

Heat Pumps

Automation

Water Leveling

Water Sanitizers

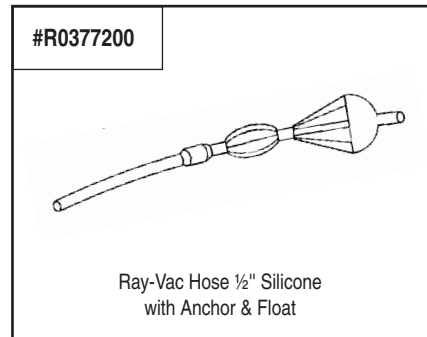
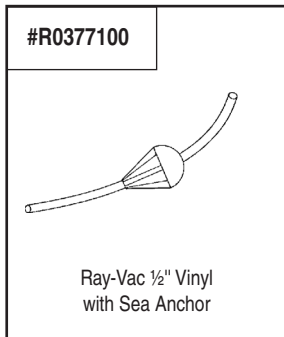
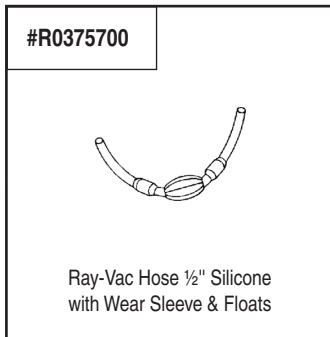
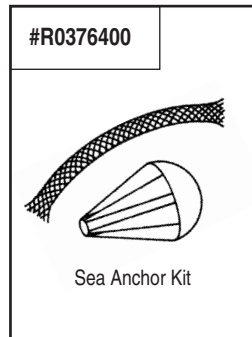
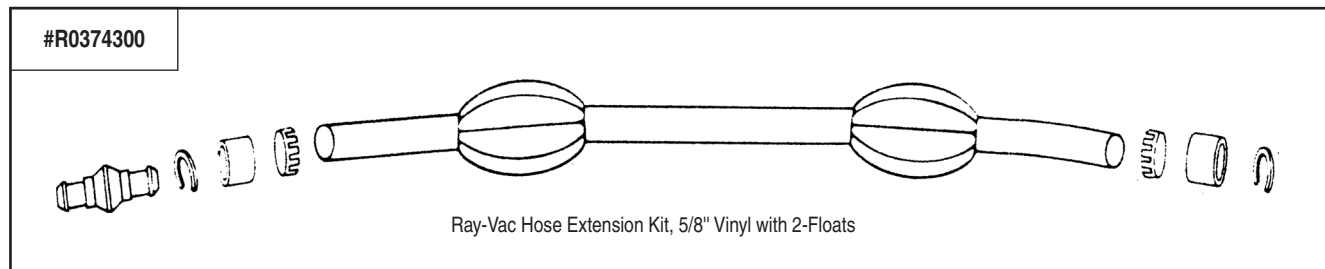
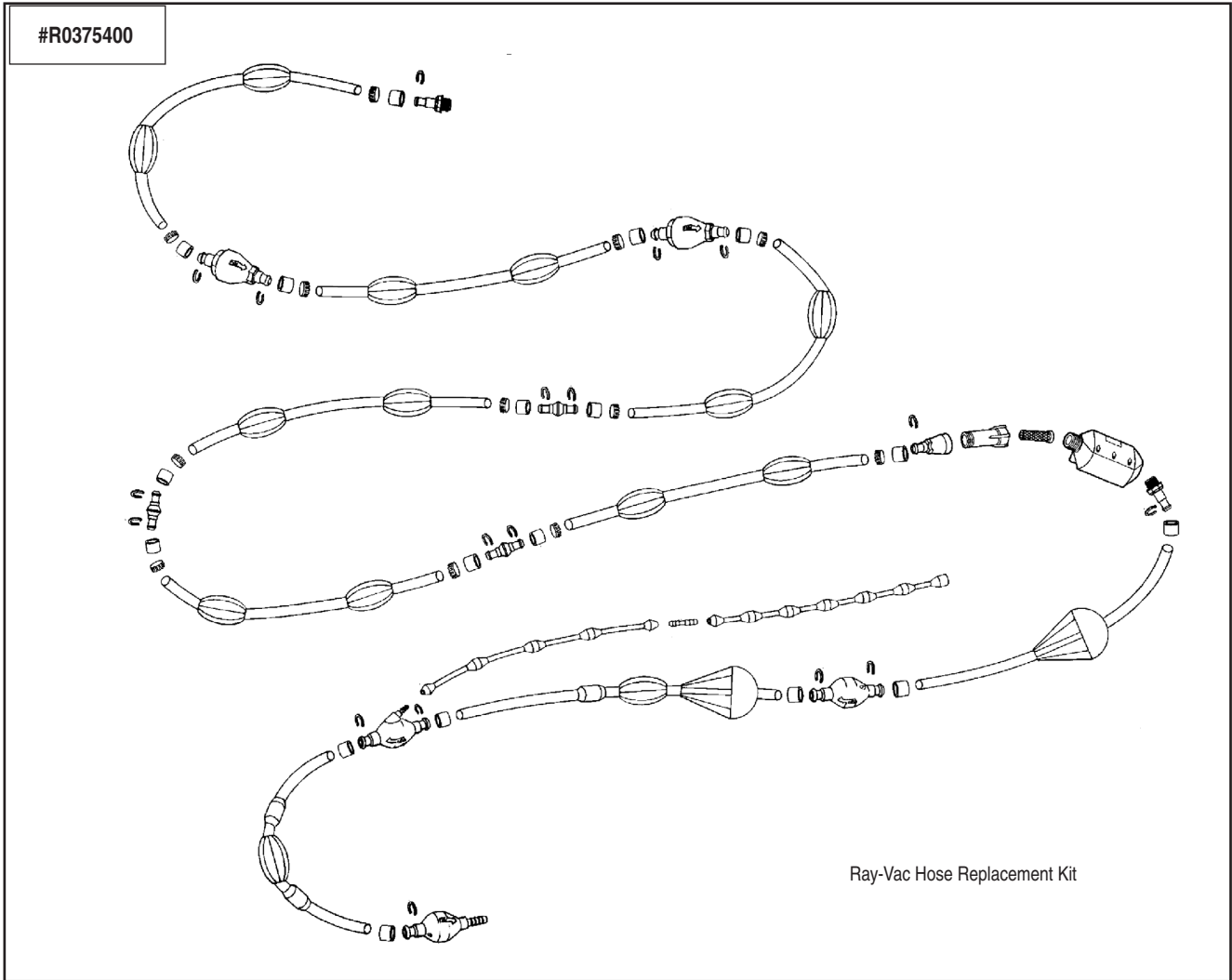
Valves







Water Designs



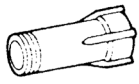

Lighting

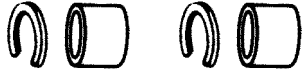



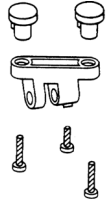
Cleaners

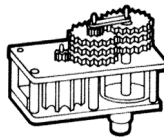
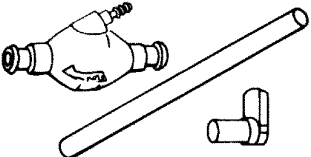
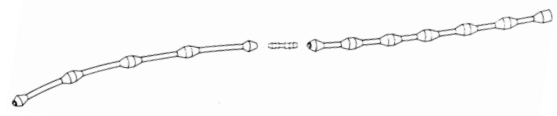
Accessories

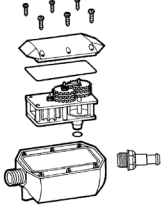
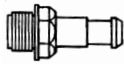
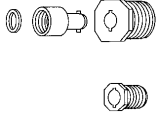

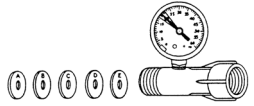


#R0378200	#R0378300	#R0378400	#R0378500	#R0378600	#R0378700
					
Swivel Rebuild Kit	Hose Line Swivel Kit	Hose Coupler Kit	Hose Pusher Jet Kit	Hose Line Whip Y Jet Kit	Hose Line Jet Kit
Ray-Vac Hose Connection Kits					

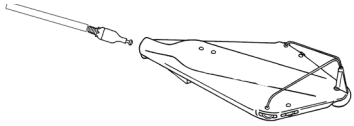
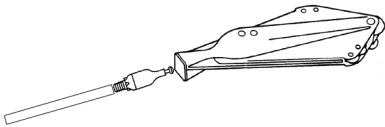
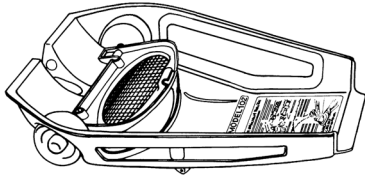
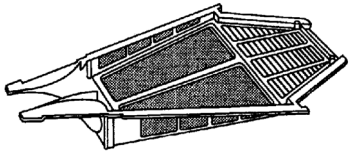
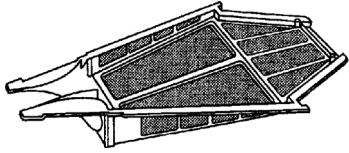
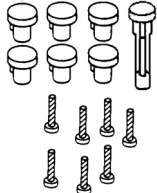
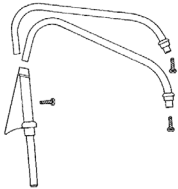
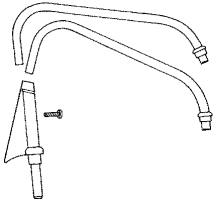
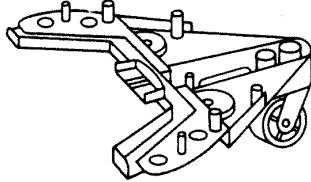

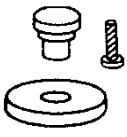



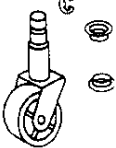
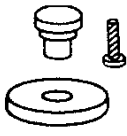

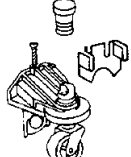
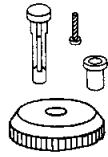
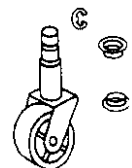
#R0377300	#R0377600	#R0377400	#R0377500
			
Mender Sleeve 5/8" Vinyl Kit	Filter Screen Fitting	Filter Screen Case	Filter Screen
Ray-Vac Filter Screen Case Kits			

#R0374100	#R0376900	#R0380200	#R0380400	#R0380300
				
Vinyl/Fiberglass (White) Silicone (Beige)	Transporter Jet	Pusher Hose	Head Float	Sleeve Kit
Mender Sleeve 1/2" Kit	Ray-Vac Transporter Jet Assembly Kits			

#R0377000	#R0374200	#R0373400
		
Hydro Timer Gear Assembly Kit	Ray-Vac Corner Kit	Ray-Vac Whip Kit

#R0376500	#R0378100	#R0378000	#R0377700	#R0373200
				
Hydro Timer Replacement Kit (Ray-Vac Model)	Swivel Ball Bearing	Quick Disconnect Replacement Kit	Ray-Vac Gauge	Speed Adjustment Kit
	Ray-Vac Quick Disconnect Coupler Kits			

Ray-Vac Kits

<p>#R0376000 Ray-Vac Head, V/F</p> 	<p>#R0374900 Ray-Vac Head, Gunite, White #R0375000 Ray-Vac Head, Gunite, Black Ray-Vac Head, Desert Model</p> 	<p>#R0375100 Ray-Vac Bottom, White #R0375900 Ray-Vac Bottom, V/F #R0376600 Ray-Vac Bottom, Clear</p> 		
<p>#R0374700 Ray-Vac Screen, Fine Mesh, White #R0375300 Ray-Vac Screen, Fine Mesh, Black #R0376100 Ray-Vac Screen, Coarse Mesh, White</p> 	<p>#R0375200</p>  <p>Ray-Vac Screen, Desert Model, White</p>		<p>#R0380500</p>  <p>Wear Button Kit, White</p>	
<p>#R0374400</p>  <p>Ray-Vac Ladder Guard Kit, Tall</p>	<p>#R0373100</p>  <p>Ray-Vac Ladder Guard Kit, Standard</p>	<p>#R0375800 Nose Plate, Gunite, White #R0376200 Nose Plate, Vinyl/Fiberglass #R0376700 Nose Plate, Clear</p> 		<p>#R0380600</p>  <p>E-ring Kit</p>
<p>#R0378900 (White) #R0379800 (Black)</p>  <p>Side Wheel Kit</p>	<p>#R0379100 (White) #R0380000 (Black)</p>  <p>Swivel Wheel Kit, Gunite</p>	<p>#R0379200 (White) #R0380100 (Black)</p>  <p>Drive Wheel Kit, Gunite</p>	<p>#R0379000 (White) #R0379900 (Black)</p>  <p>Nose Wheel Kit, Gunite</p>	<p>#R0378800 (White) #R0379700 (Black)</p>  <p>Castor Wheel Kit, Gunite</p>
<p>Ray-Vac Wheel Kits, Gunite, White & Black</p>				
<p>#R0378900</p>  <p>Side Wheel Kit</p>	<p>#R0379600</p>  <p>Swivel Wheel Kit V/F</p>	<p>#R0379300</p>  <p>Drive Wheel Kit V/F</p>	<p>#R0379500</p>  <p>Nose Wheel Kit V/F</p>	<p>#R0379400</p>  <p>Castor Wheel Kit V/F</p>
<p>Ray-Vac Wheel Kits, Vinyl/Fiberglass</p>				

#R0375500 Bumper/Flatmouth Kit, Wht
#R0375600 Bumper/Flatmouth Kit, Blk

#R0377900
Skimmer Guard Kit, Standard
(5" min - 7 3/4" max)

#R0377800
Skimmer Guard Kit, Tall
(7 3/4" min - 10" max)

#R0374500

Energy Filter "O" Ring Kit

#R0374600

Energy Filter Element Kit

#R0374000

Energy Filter Top Kit

#R0373500

Energy Filter Bowl

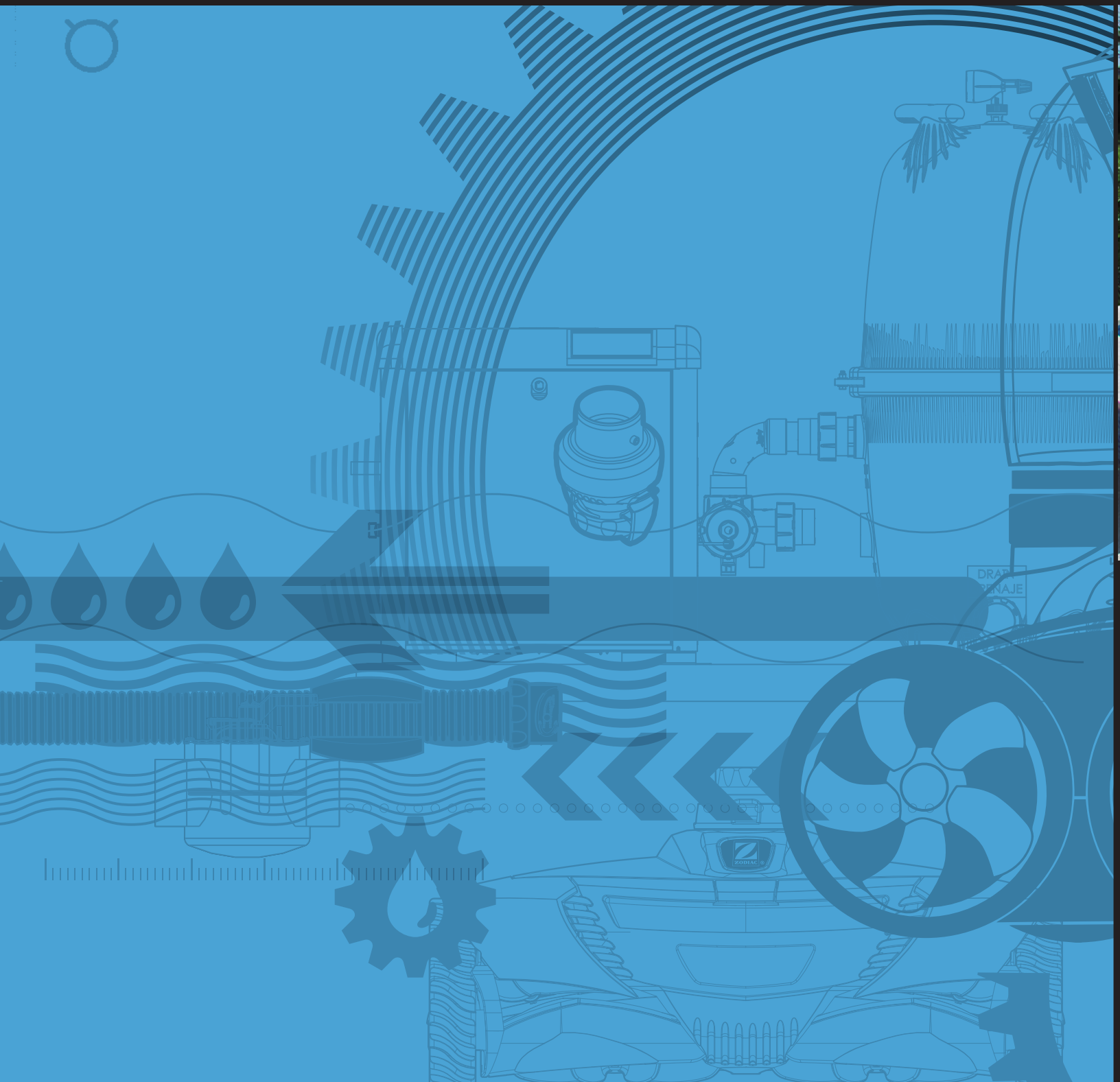
#R0372900

Hydro Timer Replacement Kit, Blue
(for use with non-Jandy Cleaners)

#2888

Energy Filter Strainer w/ Gauge

Jandy® Energy Filter



ACCESSORIES



Accessories	377
Accessory Parts	380
Limited Warranty	384
Terms & Conditions	387



PolarisQTBlower

PolarisQTBlower®

Residential, all UL listed.

Parts No.	Description
1-460-01	PolarisQTBlower, 1.0 HP, 120V
1-460-02	PolarisQTBlower, 1.0 HP, 240V
1-470-01	PolarisQTBlower, 1.5 HP, 120V
1-470-02	PolarisQTBlower, 1.5 HP, 240V
1-480-01	PolarisQTBlower, 2.0 HP, 120V
1-480-02	PolarisQTBlower, 2.0 HP, 240V



Metal Blowers

Metal Blowers

Residential, bottom mount, all UL listed.

Parts No.	Description
1-521-01	Blower, 1.0 HP, 120V
1-521-03	Blower, 1.0 HP, 240V
1-516-01	Blower, 1.5 HP, 120V
1-516-03	Blower, 1.5 HP, 240V
1-566-01	Blower, 2.0 HP, 120V
1-566-03	Blower, 2.0 HP, 240V

SpaWand®

Simple, effective hand-held cleaning device for pool and spa.



SpaWand

Part#	Description
5-100-00	SpaWand Six-Pack POP Display Included, Blue Consumer Model Shipments made in multiples of 6 units
5-200-00	SpaWand PRO Six-Pack POP Display Included, Yellow Professional Model Shipments made in multiples of 6 units
5-300-00	SpaWand PRO XL Extended Professional Length. Shipments made in multiples of 12 units
5-400-00	SpaWand Blue Consumer Model, individually packed. Minimum shipment of 12 units
5-500-00	SpaWand PRO Yellow Professional Model, individually packed. Minimum shipment of 12 units

Pumps

Filters

Heaters

Heat Pumps

Automation

Water Leveling

Water Sanitizers

Valves

Water Designs

Lighting

Cleaners

Accessories



Unibridge

Unibridge™

Creates a surface for pool cleaners to travel over.

Part No.	Description
5820	Unibridge, White
5825	Unibridge, Gray
5830	Unibridge, Blue

⚠ WARNING: Unibridge is NOT a suction outlet (drain) cover, nor is it permanently installed. Unibridge is NOT intended to be a suction outlet cover. Furthermore, it is NOT intended to take the place of (or replace) a properly and permanently installed suction outlet cover which is compliant with the Virginia Graeme Baker (VGB) Pool & Spa Safety Act and with ASME®/ANSI® A112.19.8 (2007 or later) or it's successor standard, APSP-16.

Unibridge MUST ONLY be used with a properly installed, VGB-compliant suction outlet cover.



SpaFountain

SpaFountain

For use in spas or pools. Fountain head with unique swivel base.

Part No.	Description
7-235-00	SpaFountain Level Adjustable Fountain Head for Stub Pipe in Spas or Ponds



WaterStars

WaterStars®

Instantly adds the beauty of a fountain to a pool.

Part No.	Description
7-400-00	WaterStars Fountain



WaterStars WF

WaterStars® WF

Creates a water display that is located at the pool wall.

Part No.	Description
11-100-00	WaterStars WF Fountain (Wall-Mounted)



Leaf-Master

Leaf-Master® Pool Cleaner

- Uses water pressure from a garden hose to clean out leaves
- Quality molded ABS body
- Wheeled model for gunite, brush model for vinyl

Part No.	Description
1142	Leaf-Master, Wheel Model, Regular Bag
1145	Leaf-Master, Brush Model, Regular Bag
2232	Leaf-Master, Brush Model, Fine Mesh Bag
2233	Leaf-Master, Wheel Model, Fine Mesh Bag

ⓘ - Limited Quantity. Available While Supplies Last.



Stain Remover

Stain Remover

- Applies acid only where you want it
- Removes stains without removing water from the pool

Part No.	Description
1148	Stain Remover (Handle not included)

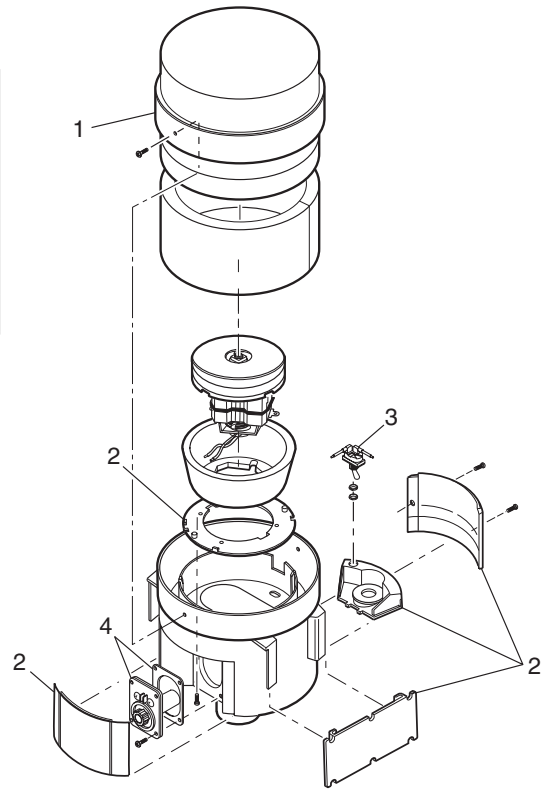
Polaris-QTBlower®

Key No.	Part No.	Description	Qty.
1	1-400-10	Blower Top	1
2	1-400-20	Cover Plate Set	1
3	1-400-30	Switch 120V*	1
4	1-400-50	Thermo Valve and Gasket*	1
N/S	1-700-29	Motor Brush Kit	2

*Not Sold Separately. N/A-Not Available N/S-Not Shown

Blower Specifications

No.	HP	Amps	Volts
460	1.0	6.8	120
	1.0	3.8	240
470	1.5	7.5	120
	1.5	4.0	240
480	2.0	9.0	120
	1.5	5.6	240

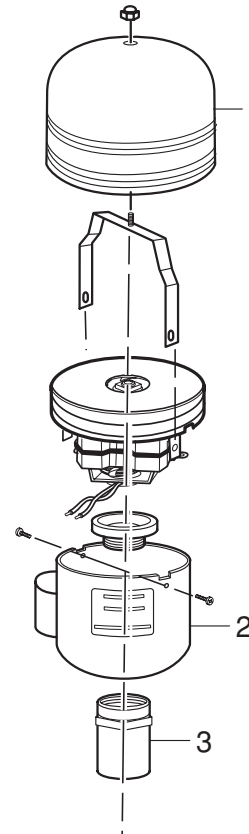


Metal Blower

Key No.	Part No.	Description	Qty.
1	1-700-32	Round Dome Blower Top	1
2	1-700-40	Base Plate, Beige (Side Mount)	1
3	1-700-06	Check Valve, Bottom	1

Blower Specifications

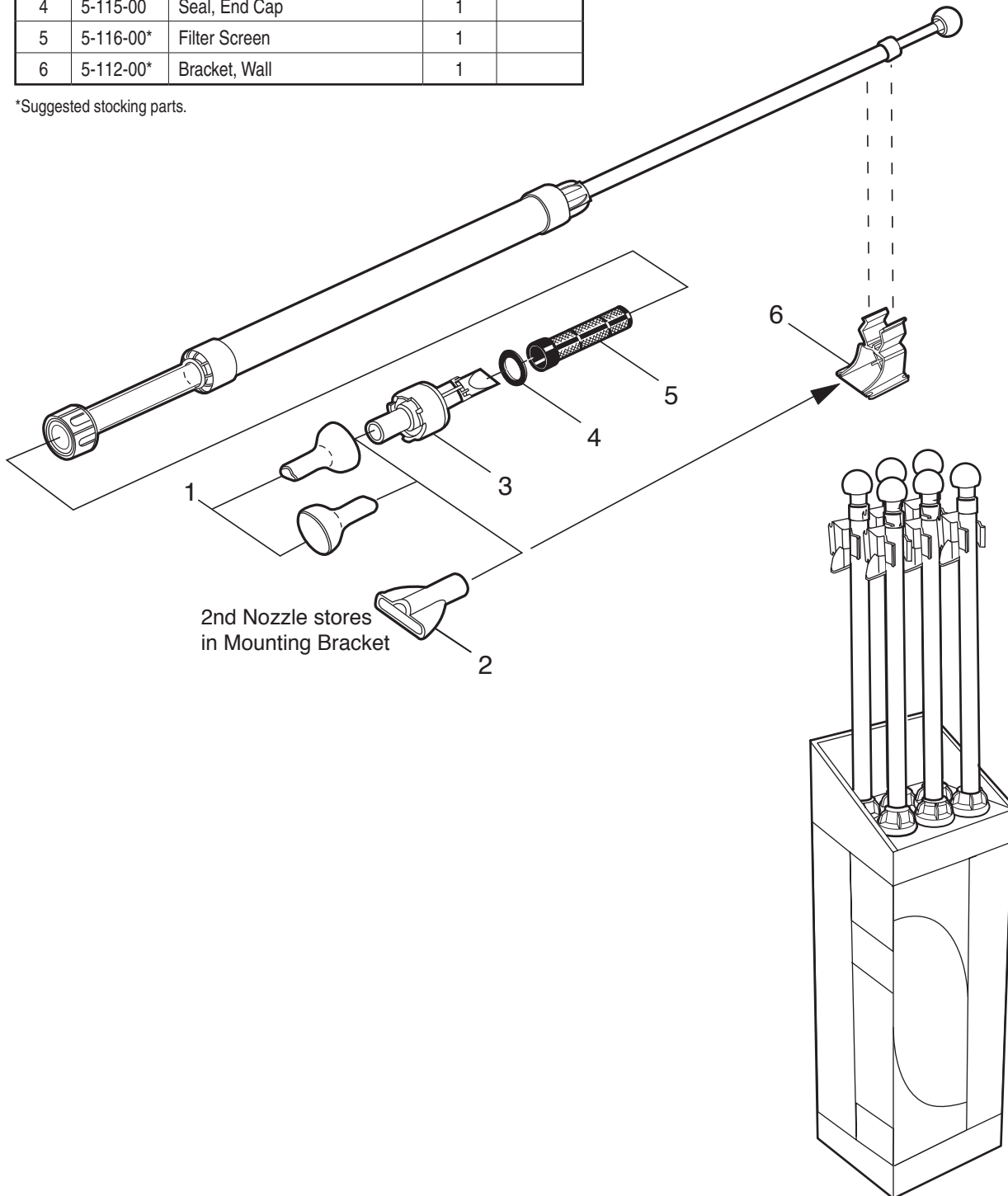
No.	HP	Amps	Volts
521	1.0	6.8	120
	1.0	3.8	240
516	1.5	7.5	120
	1.5	4.0	240
566	2.0	9.0	120
	2.0	5.6	240



SpaWand® Parts List and Diagram

Key No.	Part No.	Description	Qty.
1	5-113-00	Nozzle, Dual Purpose	1
2	5-111-00	Nozzle, Wide Sweep	1
3	5-114-00	End Cap and Valve Assembly	1
4	5-115-00	Seal, End Cap	1
5	5-116-00*	Filter Screen	1
6	5-112-00*	Bracket, Wall	1

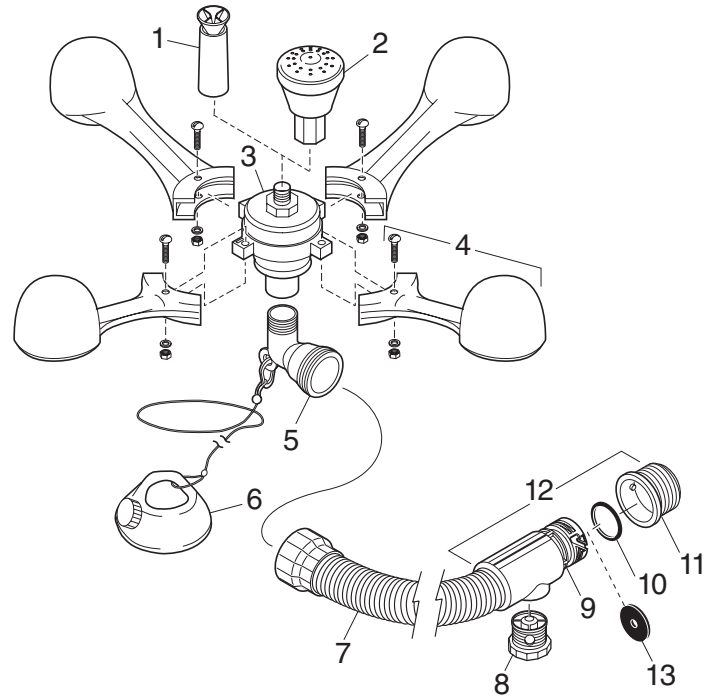
*Suggested stocking parts.



WaterStars® Parts Diagram

Part #7-400-00

Key No.	Part No.	Description	Qty.
1	7-240-00	Fountain Head, Glory	1
2	7-230-00*	Fountain Head, 3-Tier	1
3	7-225-00	Center Assembly	1
4	7-200-00	Pod	4
5	7-260-00	Elbow	1
6	7-270-00	Anchor Assembly	1
7	7-310-00*	Hose Kit, 10 ft.	1
8	11-203-00	Adjustable Plug, Universal Wall Fitting (UWF®)	1
9	6-502-00	Quick Disconnect, UWF	1
10	6-505-00*	O-ring, UWF/QD	1
11	6-500-00*	UWF	1
12	7-295-00	UWF Connector Assembly	1
13	11-103-00	Restrictor Washer	1

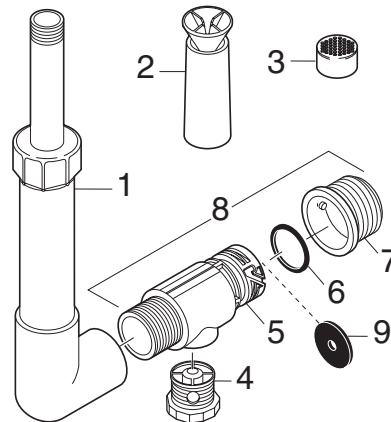


*Suggested stocking parts.

WaterStars WF Parts Diagram

Part #11-100-00

Key No.	Part No.	Description	Qty.
1	11-204-00	Riser	1
2	11-201-00	Glory Head	1
3	11-200-00	Flower Head	1
4	11-203-00	Adjustable Plug, UWF	4
5	11-205-00	Quick Disconnect, UWF	1
6	6-505-00*	O-ring, UWF/QD	1
7	6-500-00*	Universal Wall Fitting (UWF)	1
8	11-202-00	UWF Connector Assembly	1
9	11-103-00	Restrictor Washer	1



*Suggested stocking parts.

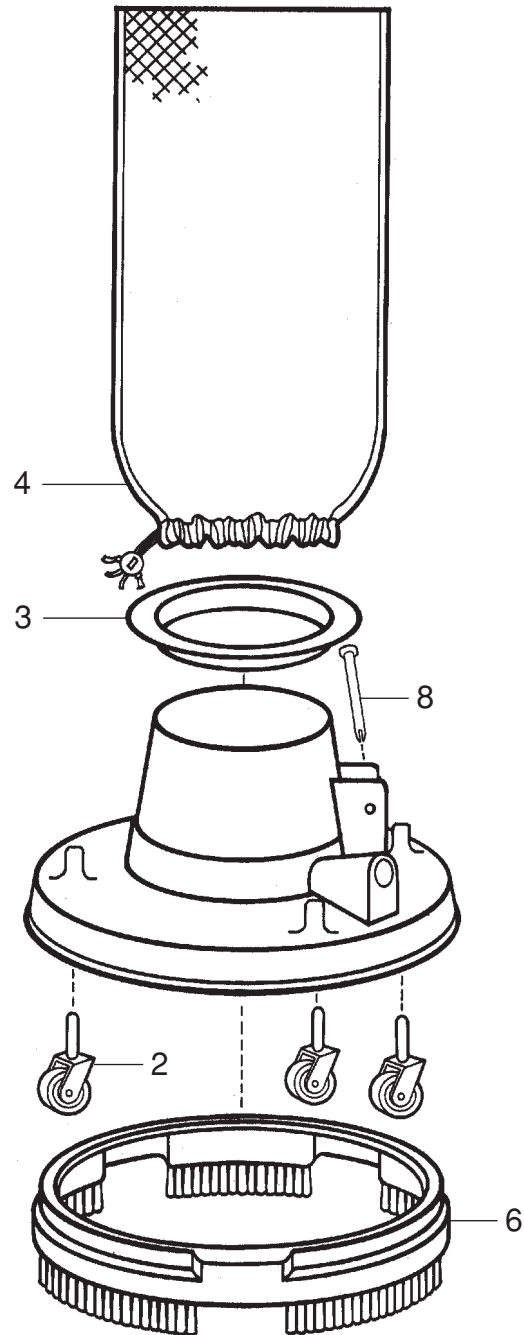
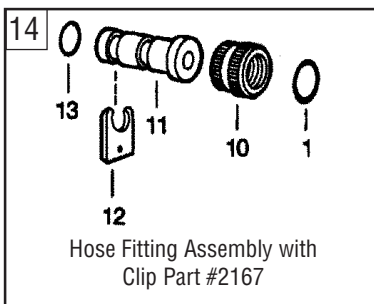
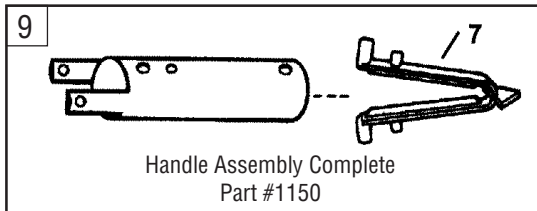
Leaf-Master® Parts List and Diagram

Part# 1142, 1145, 2232, 2233

Key No.	Part No.	Description
1	1138*	Washer Garden Hose, Use Kit #R0378000*
2	1218	Wheel Assembly Complete
3	1219	Bag Ring
4	1222	Standard Replacement Bag
5	1221	Fine Mesh Bag
6	1223	Brush Ring (not sold separately)*
7	1225*	Handle Spring, Use #1150*
8	1226	Handle Pin
9	1150	Handle Assembly Complete
10	1462*	Nut, Use #2167*
11	1463*	Bushing, Use #2167*
12	1464*	Clip, Use #2167*
13	1465*	O-ring, Use #2167*
14	2167	Hose Fitting Assembly w/ Clip

*Not Sold Separately. Included in the part # indicated.

N/A-Not Available





ZODIAC LIMITED WARRANTY

Zodiac Pool Systems, Inc. ("Zodiac") warrants all Zodiac® brand products (including those branded as Baracuda®, Jandy®, or Nature2®) to be free from manufacturing defects in materials and workmanship for a period of one (1) year from the date of retail purchase, with the following exceptions:

1. Heat pumps are warranted for two (2) years. Heat pump compressors and heat exchangers are warranted for five (5) years.
2. Complete electronic salt water chlorine systems (controller and cell purchased and installed together), including Nature2 Fusion Soft, are warranted for three (3) years, with the exception of the AquaPure® Ei™ Series, which is warranted for one (1) year (See below for warranty on replacement parts).
3. Those certain Never Lube® valves made from CPVC are warranted for the life of the pool on which they were originally installed. For the avoidance of any doubt, any Never Lube® valve made from PVC is only warranted to be free from manufacturing defects in materials and workmanship for a period of one (1) year from the date of retail purchase.
4. Robotic cleaners are warranted for two (2) years.
5. The G3 model and Kontiki cleaners are warranted for ninety (90) days.
6. Pool cleaner wear-and-tear items including, but not limited to, tires (including track tires), surface disks, shoes, and footpads, are not warranted.
7. Refrigerant and other expendables are not warranted.
8. Replacement products, or parts, provided at no charge are warranted only until the original finished good's warranty has expired. Purchased replacement parts are warranted for ninety (90) days from the date of retail purchase, with the exception of electronic salt water chlorine generator cells and electrodes, which are warranted for one (1) year.
9. Variable speed pumps are warranted for three (3) years.

For warranty information specific to Nature2 products, other than Nature2 Fusion Soft, please see the owner's and installation manuals for those products.

Unless otherwise indicated in the relevant product manual or quick start guide, this warranty applies only to products installed and serviced by a contractor who is licensed and qualified in pool equipment by the jurisdiction in which the product will be installed, where such state or local requirements exist. In the event no such state or local requirement exists, the installer and maintainer must be a professional with sufficient experience in pool equipment installation and maintenance. This warranty applies only to products purchased and utilized in the 50 United States and Canada, is limited to the first retail purchaser, is not transferable, and does not apply to products that have been moved from their original installation sites. The liability of Zodiac shall not exceed the replacement of the defective product or its parts, and does not include transportation costs, costs for labor to service or repair the defective product, or any items or materials required to make the repair including, but not limited to, refrigerant and other expendables. Zodiac is not responsible for charges or delays incurred when a servicer is unable to perform service due to lock outs, animals, intolerable pool or spa water temperature when entry into pool or spa is required to perform service, service refusals, etc. No reimbursements will be made for loss and/or usage of water, fuel or other resources resulting from product defect. A third party service provider may charge the end-user customer for parts and/or labor required to resolve any issue not covered under warranty, such as improper installation. Zodiac is not responsible for these charges. Product discoloration, or any other cosmetic or superficial damage or deterioration, regardless of its cause, is not covered by this warranty. This warranty does not cover failures, defects, malfunctions or complaints resulting from any of the following:

1. Failure to properly install, operate or maintain the product in accordance with Zodiac's published installation, operation and/or maintenance manuals.
2. The workmanship of any installer of the product.
3. Use of non-factory authorized parts or accessories in conjunction with the product(s).
4. Product modifications or adjustments that are not in accordance with Zodiac's published installation, operation and/or maintenance manuals.
5. Not maintaining proper pool and/or spa chemical balance [pH levels between 7.2 and 7.8, with ideal range being between 7.4 and 7.6; Total Alkalinity (TA) between 80 to 120 ppm; Total Dissolved Solids (TDS) less than 2000, not including salt ppm].
6. Corrosion, erosion, scaling, calcification or other conditions caused by water hardness, chemical imbalance, or lack of product maintenance.
7. Chemical contamination of combustion air; or improper use of pool/spa chemicals, such as introducing chemicals upstream of the heater or cleaner hose, or through the skimmer; or use of copper-based algaecides in conjunction with Nature2 products.
8. Abuse, damage during transit or installation, mis-handling, tampering, vandalism, alterations, accidents, fires, floods, storms, earthquakes, power surges, lightning, pets or other animals, insects and/or their hives or nests, negligence, or acts of God.
9. Not grounding and/or bonding as specified, mis-wiring, loose wiring, cut or kinked wires, loose cable connections, incorrect wire runs, incorrect breaker size, breaker(s) in "off" position, improper wire gauge, moisture in electrical conduit, improper electrical supply, dead batteries, incorrect plumbing, inadequate size of pipe and/or fittings, cross-threading, over-tightening, under-tightening, glue drips or residue, improperly secured covers, improper valve placement or usage, unsynchronized valve actuators, valve actuators in "off" position, improper gas pipe sizing, lack of fuel, inadequate heater vent pipe sizing, programming errors, or removal of in-line filter screens from pool cleaners.
10. Freezing, corrosion, cracking, overheating, warping, flooding, moisture intrusion or any other condition caused by or related to weather, climate, improper winterization, improper equipment placement, inadequate ventilation, inadequate water circulation, roof run-off, sprinklers, irrigation systems, or lights or other products on or near the pool/spa or pool/spa equipment pad.
11. Operating the product at water flow rates below minimum, or above maximum, specifications. Operating any product or piece of equipment including, but not limited to, pumps, with insufficient quantities of water.
12. Improper equipment sizing, or product mis-applications including, but not limited to, unsuitable application of a pool cleaner, or use of residential products on commercial applications.
13. Dirty, clogged, blocked, covered or obstructed plumbing, cleaner parts, chlorine generator cells or sensors, pump strainer baskets, pump impellers, heater orifices (including blockage by spider webs), heater grills, doors, flue boxes, flue vents or flue collectors, filter elements, or filter breather tubes.

14. Collateral damage caused by failure of any component including O-rings, pump strainer baskets, DE grids, sand filter laterals, or cartridge elements.

This is the only warranty given by Zodiac. No one is authorized to make any other warranties on behalf of Zodiac. IMPLIED WARRANTIES, INCLUDING THE IMPLIED WARRANTY OF MERCHANTABILITY AND THE IMPLIED WARRANTY OF FITNESS FOR A PARTICULAR PURPOSE, ARE LIMITED TO THE EXPRESS WARRANTIES LISTED ABOVE. Some states and/or provinces do not allow limitations on how long an implied warranty lasts, so the above limitation may not apply to you. Zodiac expressly disclaims and excludes any liability for consequential, incidental, indirect, or punitive damages for breach of any expressed or implied warranty. In no event shall Zodiac be liable for incidental or consequential damages of any nature, including damage to vinyl liners, plaster, aggregate-based pool surfaces, tile, stone, coping, fixtures, skimmers or skimmer covers, plumbing, drains, equipment covers or shelters, landscaping, animals, plants, or dwellings. Some states and/or provinces do not allow the exclusion or limitation of incidental or consequential damages, so the above limitation may not apply to you. Certain vinyl liner patterns are particularly susceptible to rapid surface wear or pattern removal caused by objects coming into contact with the vinyl surface, including pool brushes, pool toys, floats, fountains, chlorine dispensers, and automatic pool cleaners. Some vinyl liner patterns can be seriously scratched or abraded by rubbing the surface with a pool brush. Ink from the pattern can also rub off during the installation process or when it comes into contact with objects in the pool. Zodiac is not responsible for, and this warranty does not cover, pattern removal, cuts, abrasions or markings on vinyl liners.

This warranty gives you specific legal rights. You may also have other rights that vary by state and/or province. For warranty consideration, contact the original dealer and provide the following information: proof of purchase, model number, serial number, date of retail purchase, and date of installation. The dealer will contact the factory to obtain instructions regarding the claim and to determine the location of the nearest independent service company. If the dealer is not available, you can locate an independent service company in your area by visiting www.zodiacpoolsystems.com or www.polarispool.com, or by emailing our Technical Support Department at productsupport@zodiac.com, or by calling our Technical Support Department at 800-822-7933. In Canada, visit www.zodiacpoolsystems.ca or www.polarispool.ca or call 888-647-4004, or email the Technical Support Department at customerservicePSC@zodiac.com. All returned parts must have a Returned Material Authorization number to be evaluated under the terms of this warranty.



LIMITED WARRANTY

Zodiac® Pool Systems, Inc. ("Zodiac") warrants Polaris brand products to be free from manufacturing defects in materials and workmanship for a period of one (1) year from the date of retail purchase, with the following exceptions:

1. Polaris robotic cleaners are warranted for two (2) years.
2. Frames for Polaris ATV®, 280, 360, 380, 480 and 3900S cleaners are warranted for five (5) years.
3. Pool cleaner wear-and-tear items including, but not limited to, bags, filter canisters, tires (including track tires), sweep hoses, sweep hose scrubbers, surface disks, shoes, belts, rollers, brushes, and footpads, are not warranted.
4. Replacement products, or parts, provided at no charge are warranted only until the original finished good's warranty has expired. Purchased replacement parts are warranted for ninety (90) days from the date of retail purchase, with the exception of electronic salt water chlorine generator cells and electrodes, and "Factory Rebuild Kits" for Polaris pressure cleaners, which are warranted for one (1) year.

Unless otherwise indicated in the relevant product manual or quick start guide, this warranty applies only to products installed and serviced by a contractor who is licensed and qualified in pool equipment by the jurisdiction in which the product will be installed, where such state or local requirements exist. In the event no such state or local requirement exists, the installer and maintainer must be a professional with sufficient experience in pool equipment installation and maintenance. This warranty applies only to products purchased and utilized in the 50 United States and Canada, is limited to the first retail purchaser, is not transferable, and does not apply to products that have been moved from their original installation sites. The liability of Zodiac shall not exceed the replacement of the defective product or its parts, and does not include transportation costs, costs for labor to service or repair the defective product, or any items or materials required to make the repair including, but not limited to, refrigerant and other expendables. Zodiac is not responsible for charges or delays incurred when a service provider is unable to perform service due to lock outs, animals, intolerable pool or spa water temperature when entry into pool or spa is required to perform service, service refusals, etc. No reimbursements will be made for loss and/or usage of water, fuel or other resources resulting from product defect. A third party service provider may charge the end-user customer for parts and/or labor required to resolve any issue not covered under warranty, such as improper installation. Zodiac is not responsible for these charges. Product discoloration, or any other cosmetic or superficial damage or deterioration, regardless of its cause, is not covered by this warranty. This warranty does not cover failures, defects, malfunctions or complaints resulting from any of the following:

1. Failure to properly install, operate or maintain the product in accordance with Zodiac's published installation, operation and/or maintenance manuals.
2. The workmanship of any installer of the product.
3. Use of non-factory authorized parts or accessories in conjunction with the product(s).
4. Product modifications or adjustments that are not in accordance with Zodiac's published installation, operation and/or maintenance manuals.
5. Not maintaining proper pool and/or spa chemical balance [pH levels between 7.2 and 7.8, with ideal range being between 7.4 and 7.6; Total Alkalinity (TA) between 80 to 120 ppm; Total Dissolved Solids (TDS) less than 2000, not including salt ppm].
6. Corrosion, erosion, scaling, calcification or other conditions caused by water hardness, chemical imbalance, or lack of product maintenance.
7. Chemical contamination of combustion air; or improper use of pool/spa chemicals, such as introducing chemicals upstream of the heater or cleaner hose, or through the skimmer; or use of copper-based algaecides in conjunction with Nature2® products.
8. Abuse, damage during transit or installation, mis-handling, tampering, vandalism, alterations, accidents, fires, floods, storms, earthquakes, power surges, lightning, pets or other animals, insects and/or their hives or nests, negligence, or acts of God.
9. Not grounding and/or bonding as specified, mis-wiring, loose wiring, cut or kinked wires, loose cable connections, incorrect wire runs, incorrect breaker size, breaker(s) in "off" position, improper wire gauge, moisture in electrical conduit, improper electrical supply, dead batteries, incorrect plumbing, inadequate size of pipe and/or fittings, cross-threading, over-tightening, under-tightening, glue drips or residue, improperly secured covers, improper valve placement or usage, unsynchronized valve actuators, valve actuators in "off" position, improper gas pipe sizing, lack of fuel, inadequate heater vent pipe sizing, programming errors, or removal of in-line filter screens from pool cleaners.
10. Freezing, corrosion, cracking, overheating, warping, flooding, moisture intrusion or any other condition caused by or related to weather, climate, improper winterization, improper equipment placement, inadequate ventilation, inadequate water circulation, roof run-off, sprinklers, irrigation systems, or lights or other products on or near the pool/spa or pool/spa equipment pad.
11. Operating the product at water flow rates below minimum, or above maximum, specifications. Operating any product or piece of equipment including, but not limited to, pumps, with insufficient quantities of water.
12. Improper equipment sizing, or product mis-applications including, but not limited to, unsuitable application of a pool cleaner, or use of residential products on commercial applications.
13. Dirty, clogged, blocked, covered or obstructed plumbing, cleaner parts, chlorine generator cells or sensors, pump strainer baskets, pump impellers, heater orifices (including blockage by spider webs), heater grills, doors, flue boxes, flue vents or flue collectors, filter elements, or filter breather tubes.
14. Collateral damage caused by failure of any component including O-rings, pump strainer baskets, DE grids, sand filter laterals, or cartridge elements.

This is the only warranty given by Zodiac. No one is authorized to make any other warranties on behalf of Zodiac. IMPLIED WARRANTIES, INCLUDING THE IMPLIED WARRANTY OF MERCHANTABILITY AND THE IMPLIED WARRANTY OF FITNESS FOR A PARTICULAR PURPOSE, ARE LIMITED TO THE EXPRESS WARRANTIES LISTED ABOVE. Some states and/or provinces do not allow limitations on how long an implied warranty lasts, so the above limitation may not apply to you. Zodiac expressly disclaims and excludes any liability for consequential, incidental, indirect, or punitive damages for breach of any expressed or implied warranty. In no event shall Zodiac be liable for incidental or consequential damages of any nature, including damage to vinyl liners, plaster, aggregate-based pool surfaces, tile, stone, coping, fixtures, skimmers or skimmer covers, plumbing, drains, equipment covers or shelters, landscaping, animals, plants, or dwellings. Some states and/or provinces do not allow the exclusion or limitation of incidental or consequential damages, so the above limitation may not apply to you. Certain vinyl liner patterns are particularly susceptible to rapid surface wear or pattern removal caused by objects coming into contact with the vinyl surface, including pool brushes, pool toys, floats, fountains, chlorine dispensers, and automatic pool cleaners. Some vinyl liner patterns can be seriously scratched or abraded by rubbing the surface with a pool brush. Ink from the pattern can also rub off during the installation process or when it comes into contact with objects in the pool. Zodiac is not responsible for, and this warranty does not cover, pattern removal, cuts, abrasions or markings on vinyl liners.

This warranty gives you specific legal rights. You may also have other rights that vary by state and/or province. For warranty consideration, contact the original dealer and provide the following information: proof of purchase, model number, serial number, date of retail purchase, and date of installation. The dealer will contact the factory to obtain instructions regarding the claim and to determine the location of the nearest independent service company. If the dealer is not available, you can locate an independent service company in your area by visiting www.polarispool.com, or by emailing our Technical Support department at productsupport@zodiac.com, or by calling our Technical Support department at 800-822-7933. In Canada, visit www.zodiacpoolsystems.ca or www.polarispool.ca or call 888-647-4004, or email the Technical Support Department at customerservicePSC@zodiac.com. All returned parts must have a Returned Material Authorization number to be evaluated under the terms of this warranty.

ZODIAC POOL SYSTEMS, INC. – TERMS AND CONDITIONS OF SALE

WE RESERVE THE RIGHT TO CHANGE OUR TERMS AND CONDITIONS OF SALE AT ANY TIME WITHOUT PRIOR NOTICE. THE TERMS AND CONDITIONS OF SALE BELOW WERE CURRENT AS OF THE DATE OF PRINTING, BUT MAY CHANGE AT ANY TIME. The following terms and conditions shall apply to all products sold by Zodiac Pool Systems, Inc. (“Seller”). By submitting an order for products, the ordering party (the “Purchaser”) shall be deemed to have agreed to these terms and conditions. Seller does not accept any deviations from these terms. Any additional or different terms in any purchase orders or other document submitted by a Purchaser shall be of no force or effect and are hereby expressly rejected. If any additional or different terms or conditions are included in a Purchaser’s order, Seller may choose to fulfill the order, but the additional or different terms and conditions will not apply or be deemed accepted by Seller. In all cases of conflict between these terms and conditions and the requirements of any Purchaser’s order, these terms and conditions shall prevail. No order shall be binding on Seller unless and until accepted by Seller.

- 1. Ordering.** Fax orders to Inside Sales at 877-327-1403, or email to distributor.vista@zodiac.com. Orders may also be transmitted via EDI – please contact Customer Operations via phone at 800-822-7933, or via email to distributor.vista@zodiac.com, for additional information. Orders must include complete part numbers and descriptions. Change requests must be submitted in writing by Purchaser via email or fax, and must reference the original purchase order number. Changes cannot be accepted once any part of an order has shipped. A \$10 surcharge will be added to any order under \$50. COD orders will not be accepted.
- 2. Credit Limits.** Based on the account type and information provided to Seller during the account set up process, a credit limit will be established in an amount determined by Seller in its sole discretion. Orders that place the Purchaser’s account balance over its established credit limit will not be released for shipping until arrangements are made for payment of outstanding invoices. Any request for an increase or adjustment in Purchaser’s credit limit must be made in writing to Seller. Credit limits may be adjusted in Seller’s sole discretion based on a Purchaser’s payment history and Seller’s credit policies as in effect from time to time. Seller reserves the right to change its credit policies at any time for any reason without prior notice.
- 3. Prices.** Prices, discounts, quotations and specifications are subject to change without notice and will be applied as in effect at time of shipment. All prices are in U.S. dollars. All requests for price quotations shall be addressed to Seller via facsimile at 877-327-1403 or via e-mail at distributor.vista@zodiac.com.
- 4. Taxes.** Any federal, sales, excise or similar tax for which Seller may be liable on any sale will be charged to and paid by the Purchaser. If Purchaser is a reseller, Purchaser is responsible for furnishing a resale certificate prior to purchase.
- 5. Payment Terms.** Unless otherwise expressly agreed by Seller in writing, and subject to Seller’s right to establish and change Purchaser’s credit limit, all invoices shall be payable in full and without deduction or offset of any kind Net 30 from date of invoice. Purchaser acknowledges that payment is an independent obligation of Purchaser and is not contingent or dependent upon the services and performance of any third party. Seller may apply any payment received from Purchaser to any obligation of Purchaser then outstanding to Seller, regardless of any statement accompanying such payment. The acceptance by Seller of a partial payment shall not constitute a waiver of Seller’s right to pursue any remaining balance.
- 6. Default In Payment/Late Charges.** Purchaser shall pay late charges on any amount not paid when done at the rate of 18% per annum (or if lower, the maximum rate allowed by law) from the due date until paid. Seller may, without notice, declare all obligations of Purchaser to Seller immediately due and payable in the event of a default in the payment of any invoice. Seller reserves the right to convert Purchaser’s account to a Cash in Advance account or to close Purchaser’s account, without further notice, if Purchaser fails to pay any amount when due. Purchaser agrees to pay all costs of collection incurred by Seller (including reasonable attorney’s fees or amounts paid to or deducted by a collection agency) in connection with collecting any amount not paid when due.
- 7. Shipping; Inspection.** All sales are F.O.B. Seller’s shipping point. Free freight is offered for orders of \$20,000 or more, all products combined. Parts orders of \$5,000 or more will also be prepaid. Qualifying orders will be shipped to a single location only. For orders that do not qualify for free freight, Purchaser agrees to pay any and all liftgate charges when a liftgate is required to deliver an order that does not qualify for free freight. Seller will not drop ship to residential addresses. Tender of delivery within thirty (30) days after the date ordered by Purchaser shall constitute timely delivery. Delivery of a quantity which does not vary by more than 10% from the quantity ordered by Purchaser shall constitute timely delivery of an order (and Purchaser shall pay for the actual quantity so delivered). Delay in delivery of any installment by more than thirty (30) days shall entitle Purchaser to cancel an order for such delayed items only; provided, however that such cancellation is made by written notice to Seller and shall constitute Purchaser’s sole and exclusive remedy therefor. Claims of late delivery are barred unless made prior to delivery by Seller to Purchaser’s designated shipper, and such delivery shall constitute a waiver of any claim that the order was delivered late. Purchaser may be assessed shipping and handling charges for orders requiring special and/or expedited delivery. Purchaser shall inspect all products immediately upon receipt. If Purchaser determines that the quantity or quality of the products are not in conformity with the order or the applicable Product Warranties (as defined in Section 12), Purchaser will notify Seller of the shortage or non-conformity within five (5) working days of receipt by faxing to 1-877-327-1403 or e-mailing distributor.vista@zodiac.com with the subject line “Credit Request.” Seller will ship missing or conforming items within thirty (30) days of receipt of notice. If Purchaser fails to notify Seller within the foregoing five (5) day period, the products and the shipment thereof shall be deemed accepted by Purchaser and shall bar Purchaser from asserting at a later date any discrepancy reasonably determinable by inspection. Claims will not be accepted if products have been transferred by the original recipient to another branch or location.
- 8. Return Policy.** All product returns must have prior authorization from Seller. Submit an RMA request by completing the appropriate form at <http://www.zodiacpoolsystems.com/Support/Non-Warranty-RMA-Request.aspx> Purchaser must receive an RMA number from Seller prior to shipping returned goods. Returned goods must be packaged securely in original packaging (or

a reasonable substitute) and marked with the RMA number on the outside of the box. Collect shipments or shipments without a clearly identifiable RMA number will be refused. Freight must be prepaid. Returned goods damaged due to inadequate return packaging may not receive full credit. Items returned for warranty consideration must include date of purchase, installation date, serial number and description of defect. A request to return goods for reasons other than warranty may not be honored. If accepted, those returned goods are subject to a 20% restocking charge. Visit <http://www.zodiacpoolsystems.com/Support/Non-Warranty-RMA-Request.aspx> for additional information.

- 9. Title to Products.** Title to each product shall pass to Purchaser only upon full payment, but risk of loss shall pass upon delivery by Seller to the carrier (regardless of whether payment has been made). To the extent any product contains or includes any software, such software is to be deemed as licensed (and not sold) to Purchaser on a non-exclusive basis. Purchaser shall not use or transfer any software except in connection with the use or re-sale of the product with which it is supplied, nor shall Purchaser or any transferee copy, modify, reverse engineer, disassemble, decompile or translate any such software or attempt to derive the source code thereof.
- 10. Use of Products.** Purchaser shall sell, display, market and use the products in accordance with the documentation supplied with the products and all applicable laws, licenses and other restrictions. Purchaser shall not remove or modify any trademark, patent or other notices of Seller or any of its third party vendors from products, or any documentation supplied therewith. In addition, Purchaser may not, without Seller's prior written authorization, add any trademark, patent or other notices to the products.
- 11. Receipt of Goods While Insolvent; Material Adverse Change in Purchaser's Financial Condition.** In the event that Purchaser receives any goods from Seller while Purchaser is insolvent (as such term is defined in Section 2-702 of the Uniform Commercial Code), this writing shall constitute Seller's demand for reclamation of such goods. All obligations of Purchaser to Seller shall become immediately due and payable, on ten (10) days written notice, if Seller determines, in its sole discretion, that there has been a material adverse change in the financial condition or business affairs of the Purchaser so that Purchaser's ability to pay its obligations to Seller has become impaired.
- 12. Limited Warranty.** All products are warranted to the end user thereof in accordance with the applicable limited warranties provided with each product (the "Product Warranties"). Copies of the current Product Warranties and Warranty Procedures are available upon request. Seller reserves the right to modify the terms of the Product Warranties at any time without notice, provided that such changes shall only apply to products delivered after the effective date of the change. The Product Warranties provide specific legal rights; other rights may apply that vary from state to state.
- 13. Exclusion of Certain Damages.** IN NO EVENT SHALL SELLER OR ITS AFFILIATES BE LIABLE TO PURCHASER OR ANY THIRD PARTY FOR ANY INCIDENTAL, INDIRECT, SPECIAL, PUNITIVE, EXEMPLARY, OR CONSEQUENTIAL DAMAGES (INCLUDING, WITHOUT LIMITATION, DAMAGES FOR LOSS OF BUSINESS, LOSS OF PROFITS, LOSS OF GOODWILL OR BUSINESS REPUTATION, DAMAGE TO OTHER PROPERTY, BUSINESS INTERRUPTION, LOSS OF DATA, OR LOSS OF BUSINESS INFORMATION) ARISING OUT OF OR CONNECTED IN ANY WAY WITH THE PURCHASE, SALE, DISTRIBUTION OR USE OF ANY PRODUCTS EVEN IF SELLER HAS BEEN ADVISED OF THE POSSIBILITY OF SUCH DAMAGES. Some states do not allow the exclusion or limitation of incidental or consequential damages, so the foregoing limitation may not apply.
- 14. Limitation of Liability.** Under no circumstance shall Seller's liability in respect of any products [whether arising in contract, tort (including negligence or strict liability), or under any other legal theory] exceed the purchase price actually paid to Seller therefor.
- 15. Force Majeure.** Seller will have no liability in respect of any failure to perform or delay in performance when such failure or delay results from causes beyond its reasonable control, including without limitation, acts of God, acts of terrorism or public enemy, fires, floods, earthquakes or other catastrophes, riots, war, civil disorder, strikes, lockouts, interruptions of utilities, supplies, transportation or communication, work stoppages or other labor difficulties, court order or other legal prohibition. In the event of any force majeure event, Seller reserves the right to allocate available products among Seller's customers in any manner Seller reasonably determines.
- 16. WAIVER OF JURY TRIAL.** THE PARTIES HEREBY IRREVOCABLY WAIVE ALL RIGHT TO TRIAL BY JURY IN ANY ACTION, PROCEEDING OR COUNTERCLAIM ARISING OUT OF OR RELATING TO THE PRODUCTS OR THE PURCHASE AND SALE THEREOF.
- 17. Governing Law; Miscellaneous.** All disputes arising out of or related to the sale of any products to Purchaser or the interpretation of these terms and conditions shall be governed by the laws of the State of California (other than its principles of conflicts of law). The United Nations Convention on the International Sale of Goods shall not apply to any sale of products. Except for actions seeking injunctive relief (which may be brought in any appropriate jurisdiction) suit in respect of any such dispute shall only be brought in a court of competent jurisdiction in the County of San Diego, State of California. This choice of venue is intended by the parties to be mandatory and not permissive in nature, and to preclude the possibility of litigation between the parties with respect to, or arising out of, the sale of any products in any jurisdiction other than that specified in this Section. Each party waives any right it may have to assert the doctrine of forum non conveniens or similar doctrine or to object to venue with respect to any proceeding brought in accordance with this Section.



Air Blower

Air Blower

- **Quieter Operation**—Less equipment noise* for a more peaceful back yard experience
- **High Performance**—Industry leading air pressure creation for powerful invigorating bubbles
- **Built-in Check Valve**—Integrated valve prevents water damage to blower motor
- **Easy Installation**—Convenient bottom mount with included wall bracket

Parts No.	Description
PSB110	Blower, 1.0 HP, 120V
PSB210	Blower, 1.0 HP, 240V
PSB115	Blower, 1.5 HP, 120V
PSB215	Blower, 1.5 HP, 240V
PSB120	Blower, 2.0 HP, 120V
PSB220	Blower, 2.0 HP, 240V

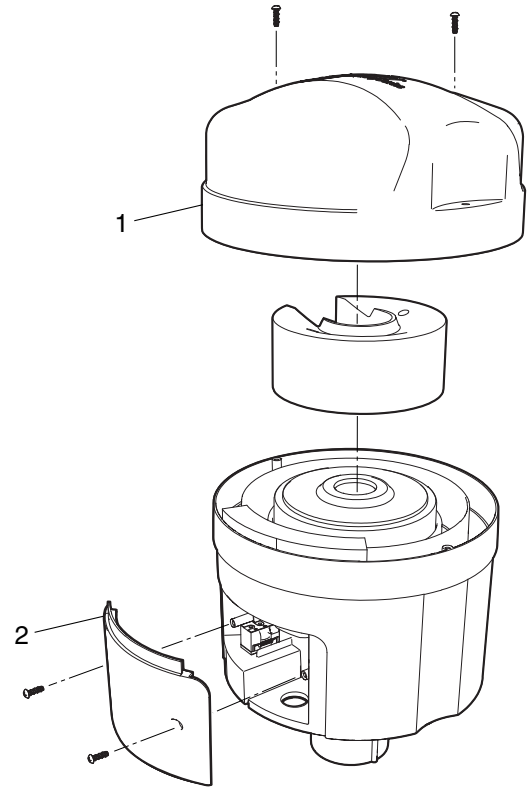
*10% decibel reduction compared to QT Blower

Air Blower

Key No.	Part No.	Description	Qty.
1	R0727500	Blower Top	1
2	R0727600	Cover Plate and Wall Bracket	1

Blower Specifications

Model	Horsepower	Voltage	Amps
PSB110	1 HP	120	6.0
PSB115	1.5 HP	120	7.9
PSB120	2 HP	120	9.7
PSB210	1 HP	240	3.0
PSB215	1.5 HP	240	3.9
PSB220	2 HP	240	4.9





Zodiac Pool Systems, Inc.
2620 Commerce Way, Vista, CA 92081
1.800.822.7933 | www.Zodiac.com | www.facebook.com/ZodiacPoolSystems

©2016 Zodiac Pool Systems, Inc. ZODIAC® is a registered trademark of Zodiac International, S.A.S.U., used under license. All other trademarks referenced herein are the property of their respective owners. Apple and the Apple logo are trademarks of Apple Inc., registered in the U.S. and other countries. Apple® is not a participant in or sponsor of this promotion. SA6000 Rev J 1016